



US00D724400S

(12) **United States Design Patent**
Filian et al.

(10) **Patent No.:** **US D724,400 S**
(45) **Date of Patent:** **** Mar. 17, 2015**

(54) **GLUE GUN**

(71) Applicant: **Plaid Enterprises, Inc.**, Norcross, GA
(US)

(72) Inventors: **Cathie Filian**, Glendale, CA (US); **Steve Piacenza**, Los Angeles, CA (US)

(73) Assignee: **Plaid Enterprises, Inc.**

(**) Term: **14 Years**

(21) Appl. No.: **29/449,170**

(22) Filed: **Mar. 14, 2013**

(51) **LOC (10) Cl.** **08-05**

(52) **U.S. Cl.**
USPC **D8/30**

(58) **Field of Classification Search**
CPC A01K 13/001; A23G 3/28; B05C 17/01;
B05C 17/00583; B05C 17/0123; A61M
5/31581; A61M 5/31595
USPC D8/14.1, 29.1, 30; 222/146.1, 146.2,
222/146.5; 219/221, 227, 229, 242
See application file for complete search history.

(56) **References Cited**

U.S. PATENT DOCUMENTS

D348,811 S * 7/1994 Albers D8/14.1
5,743,668 A * 4/1998 Zimmerman 401/265
D398,204 S * 9/1998 Lee D8/14.1

D399,719 S * 10/1998 Mignanelli D8/68
6,305,325 B1 * 10/2001 Sullivan 119/600
D455,620 S * 4/2002 Lee D8/14.1
D469,670 S * 2/2003 Belanger D8/30
D478,259 S * 8/2003 Heun D8/61
6,820,768 B2 * 11/2004 Belanger 222/146.5
D554,960 S * 11/2007 Deal et al. D8/51
D651,057 S * 12/2011 Hartsel D8/30
8,561,854 B2 * 10/2013 Tirone et al. 222/391
2012/0048889 A1 * 3/2012 Yung-Kuan 222/146.5

* cited by examiner

Primary Examiner — George D Kirschbaum

Assistant Examiner — Jennifer Watkins

(74) *Attorney, Agent, or Firm* — Womble Carlyle Sandridge & Rice LLP

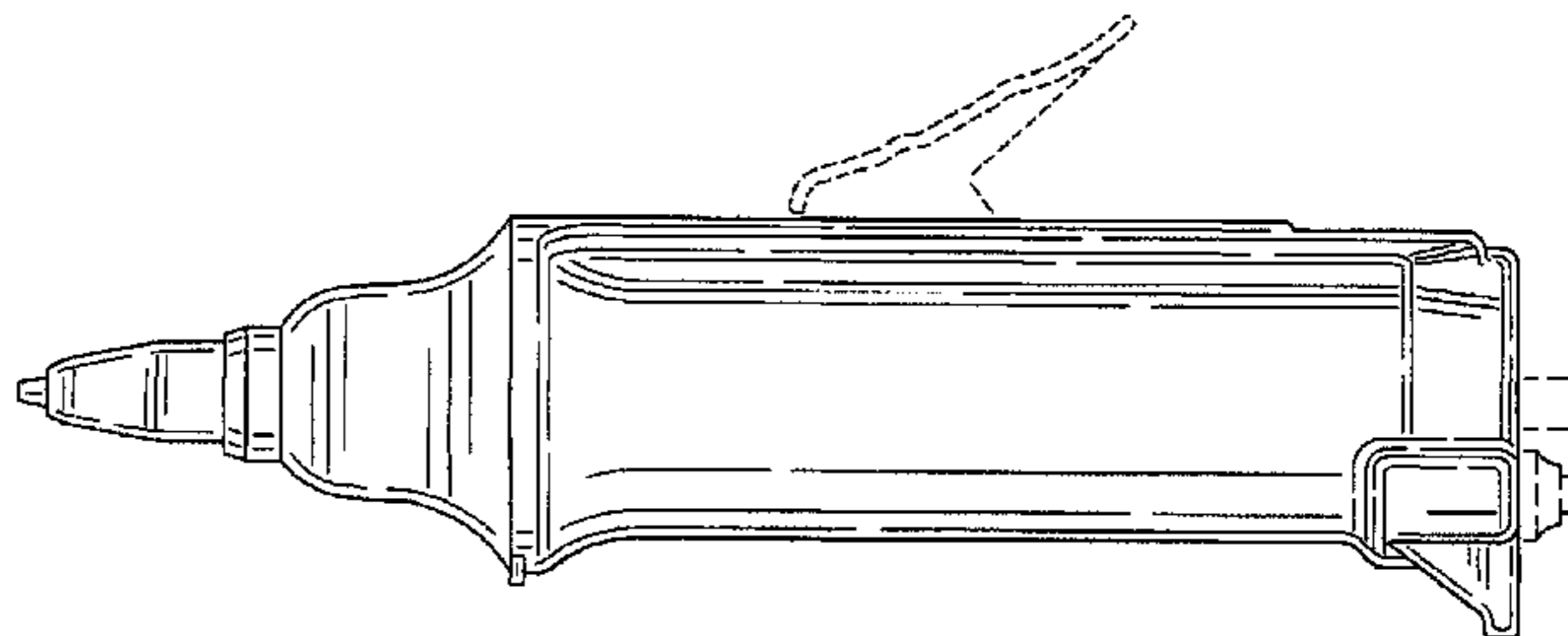
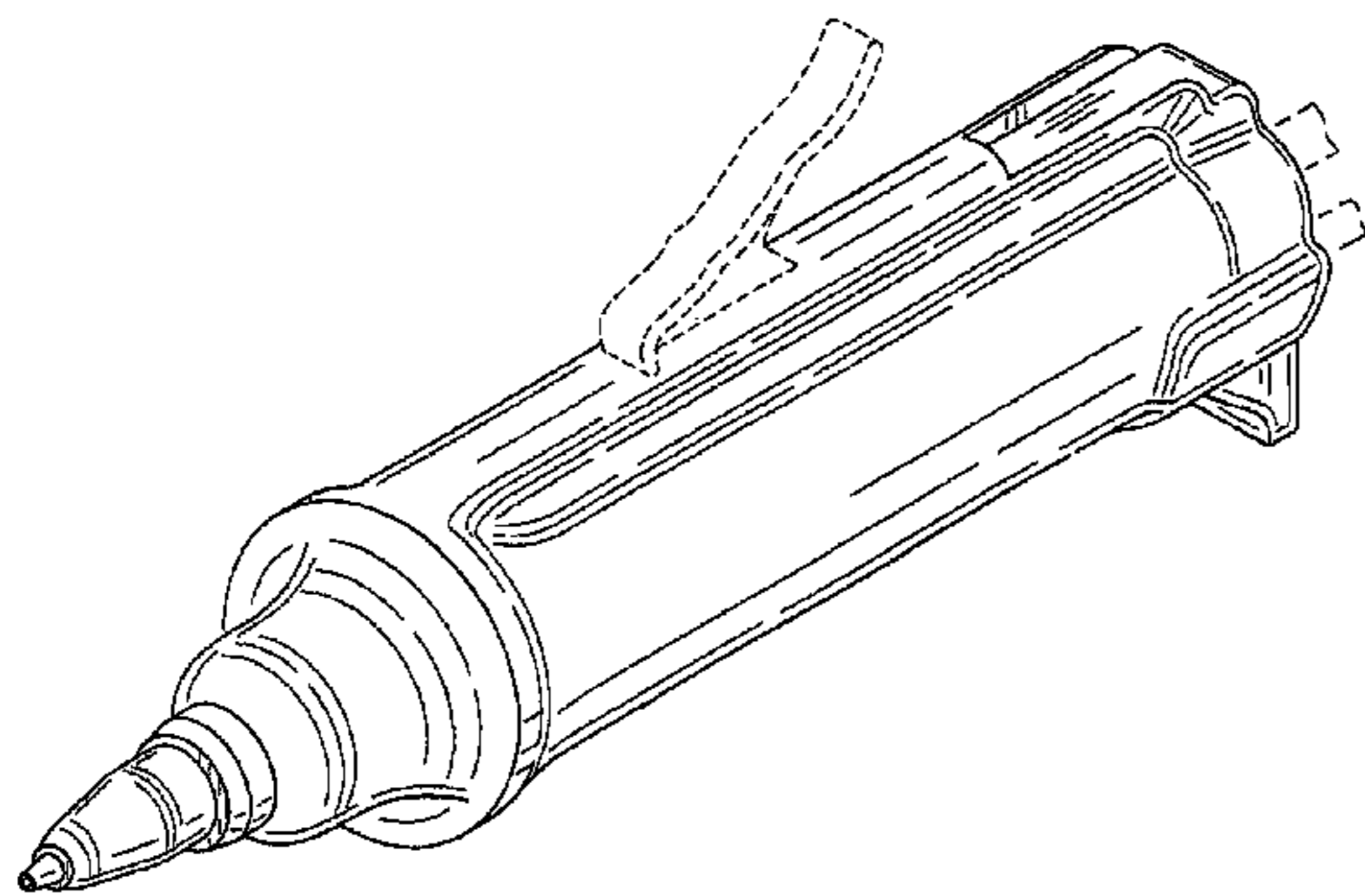
(57) **CLAIM**

The ornamental design of a glue gun, as shown and described.

DESCRIPTION

FIG. 1 is a right front perspective view of our new design;
FIG. 2 is a front view thereof;
FIG. 3 is a rear view thereof;
FIG. 4 is a right side elevational view thereof, the opposite side being a mirror image thereof;
FIG. 5 is a top view thereof; and,
FIG. 6 is a bottom view thereof.
The broken lines illustrate portions of the glue gun which form no part of the claimed design.

1 Claim, 3 Drawing Sheets



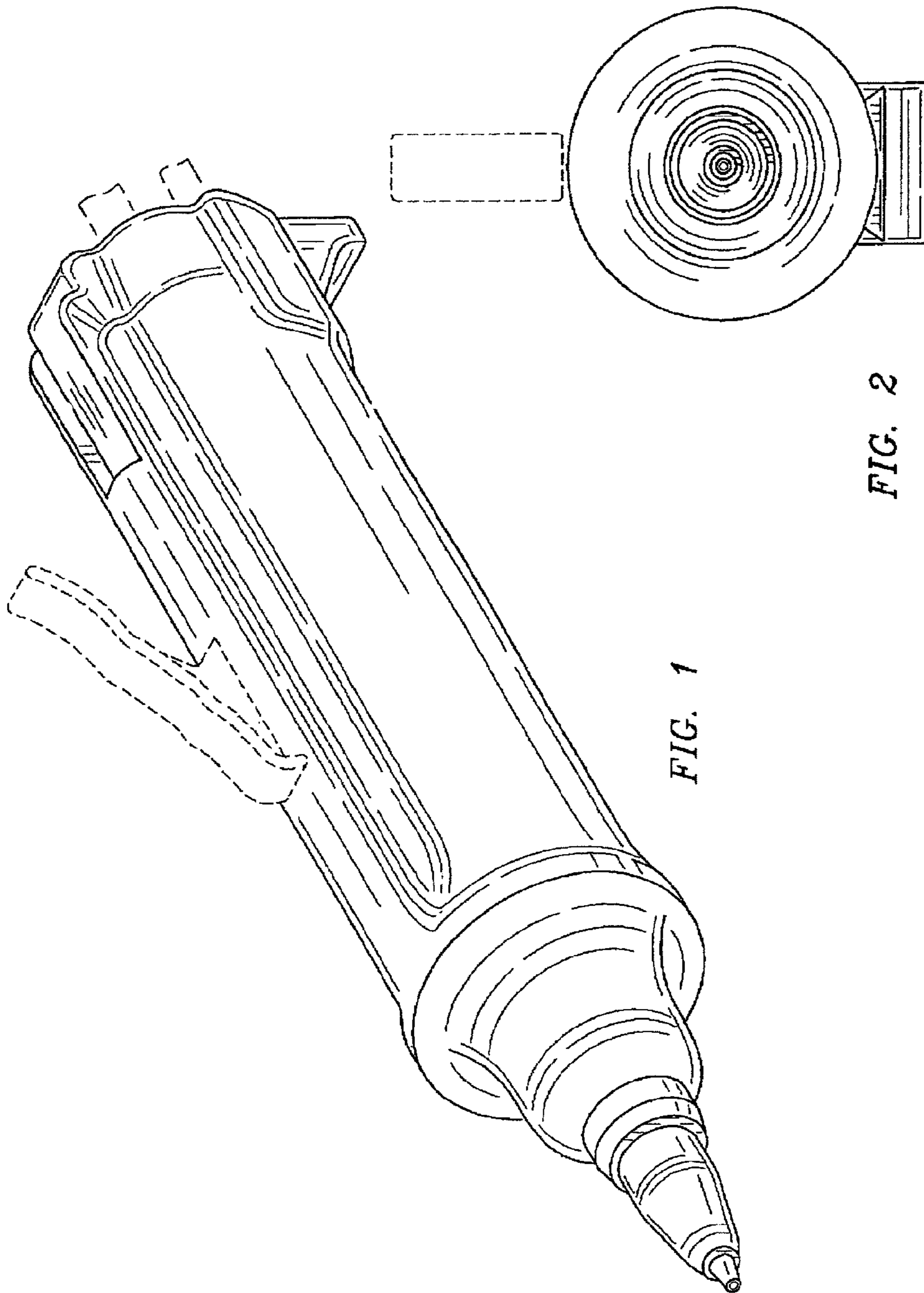


FIG. 1

FIG. 2

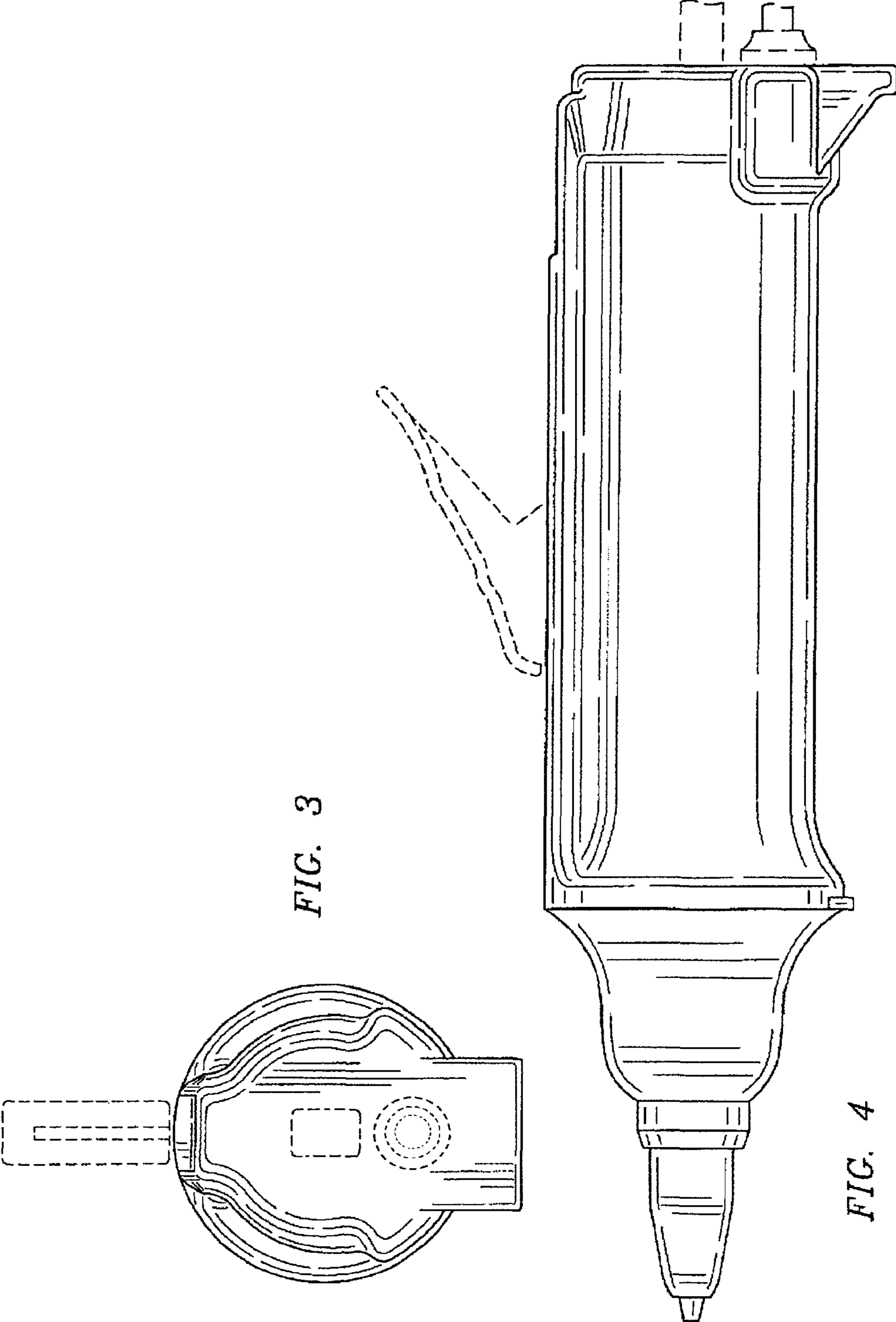


FIG. 3

FIG. 4

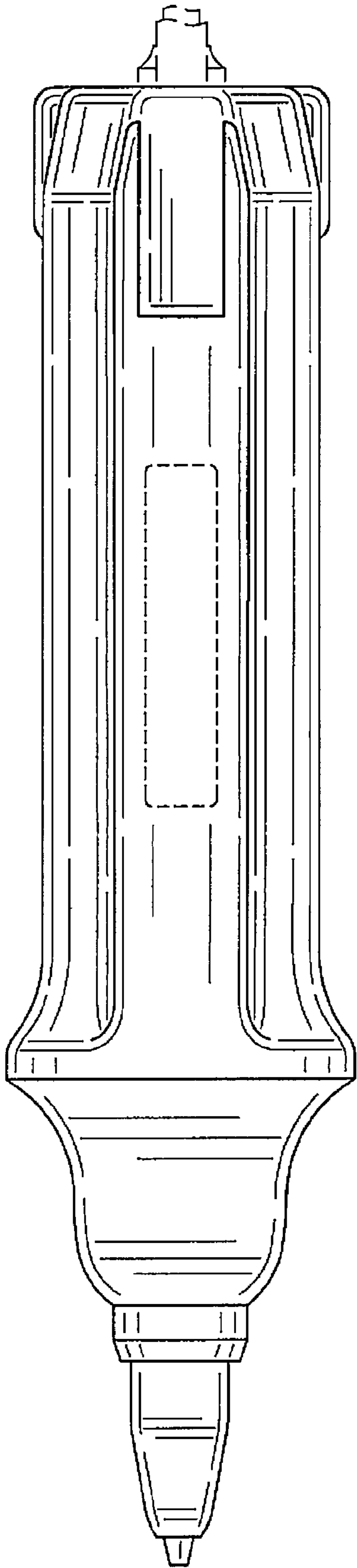


FIG. 5

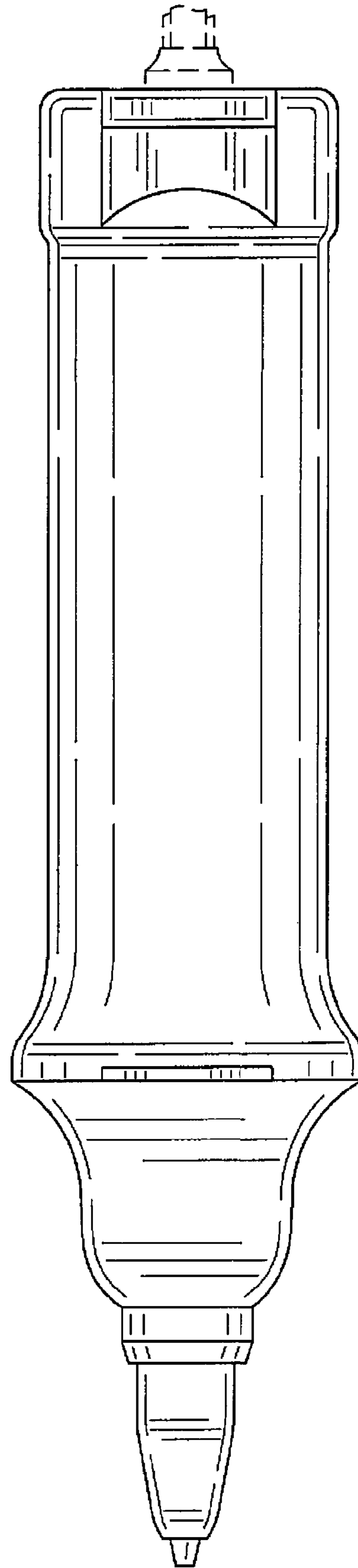


FIG. 6