



US00D724399S

(12) **United States Design Patent**  
**Chern**

(10) **Patent No.:** **US D724,399 S**  
(45) **Date of Patent:** **\*\* Mar. 17, 2015**

- (54) **RATCHET HANDLE**
- (71) Applicant: **Shwu-Ruu Chern**, Taichung (TW)
- (72) Inventor: **Shwu-Ruu Chern**, Taichung (TW)
- (\*\*) Term: **14 Years**
- (21) Appl. No.: **29/491,210**
- (22) Filed: **May 19, 2014**
- (51) **LOC (10) Cl.** ..... **08-05**
- (52) **U.S. Cl.**  
USPC ..... **D8/22**
- (58) **Field of Classification Search**  
USPC ..... D8/17, 21-29, 97; 81/60, 177.1,  
81/177.85, 121.1, 124.3, 165-170, 110.1,  
81/176.2, 124.6, 176.1, 176.15, 177.2,  
81/186; 16/110.1; D15/144.1; 219/75,  
219/227, 229, 121.16, 121.18  
See application file for complete search history.

6,530,297	B2 *	3/2003	McCann	.....	81/99
6,851,338	B2 *	2/2005	Wu	.....	81/170
D507,163	S *	7/2005	Hsien	.....	D8/22
8,276,484	B2 *	10/2012	Huang	.....	81/165
D681,409	S *	5/2013	Macor	.....	D8/22
D684,446	S *	6/2013	Nichols et al.	.....	D8/22
8,549,961	B2 *	10/2013	Huang	.....	81/165

\* cited by examiner

*Primary Examiner* — Randall Gholson  
(74) *Attorney, Agent, or Firm* — Pro-TECHTOR International Services; Ian Oglesby

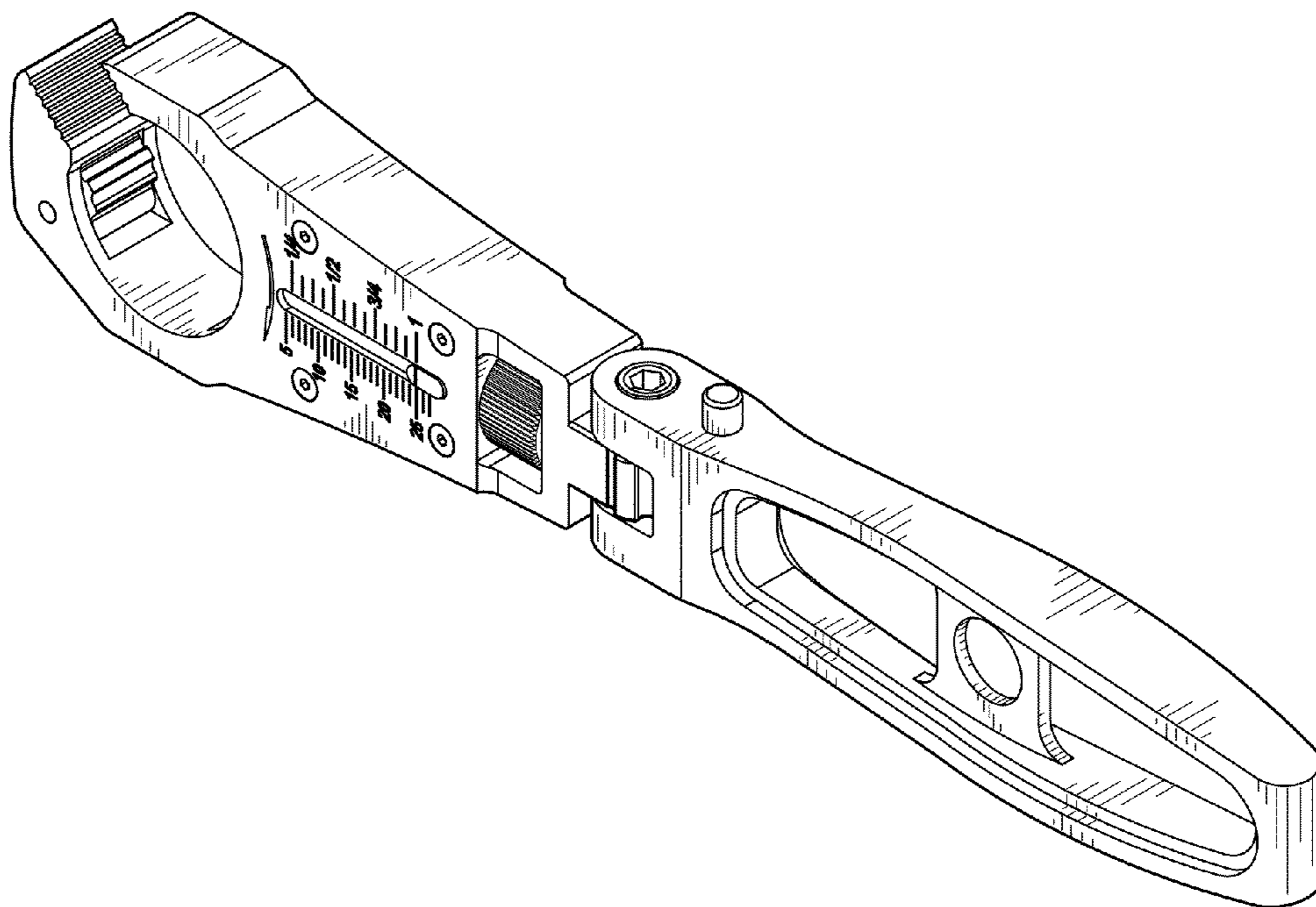
(57) **CLAIM**  
The ornamental design for a ratchet handle, as shown and described.

**DESCRIPTION**

FIG. 1 is a front-right-top perspective view of a ratchet handle showing my new design;  
FIG. 2 is a front elevation view thereof;  
FIG. 3 is a rear elevation view thereof;  
FIG. 4 is a left side view thereof;  
FIG. 5 is a right side view thereof;  
FIG. 6 is a top plan view thereof; and,  
FIG. 7 is a bottom plan view thereof.

**1 Claim, 7 Drawing Sheets**

- (56) **References Cited**  
U.S. PATENT DOCUMENTS  
2,722,150 A \* 11/1955 Green ..... 81/165  
3,173,317 A \* 3/1965 Neff ..... 81/167  
5,345,636 A \* 9/1994 Lamons ..... 7/139  
6,076,434 A \* 6/2000 Boukis ..... 81/165  
D436,813 S \* 1/2001 Kobayashi et al. .... D8/22  
D445,656 S \* 7/2001 Ranieri et al. .... D8/22



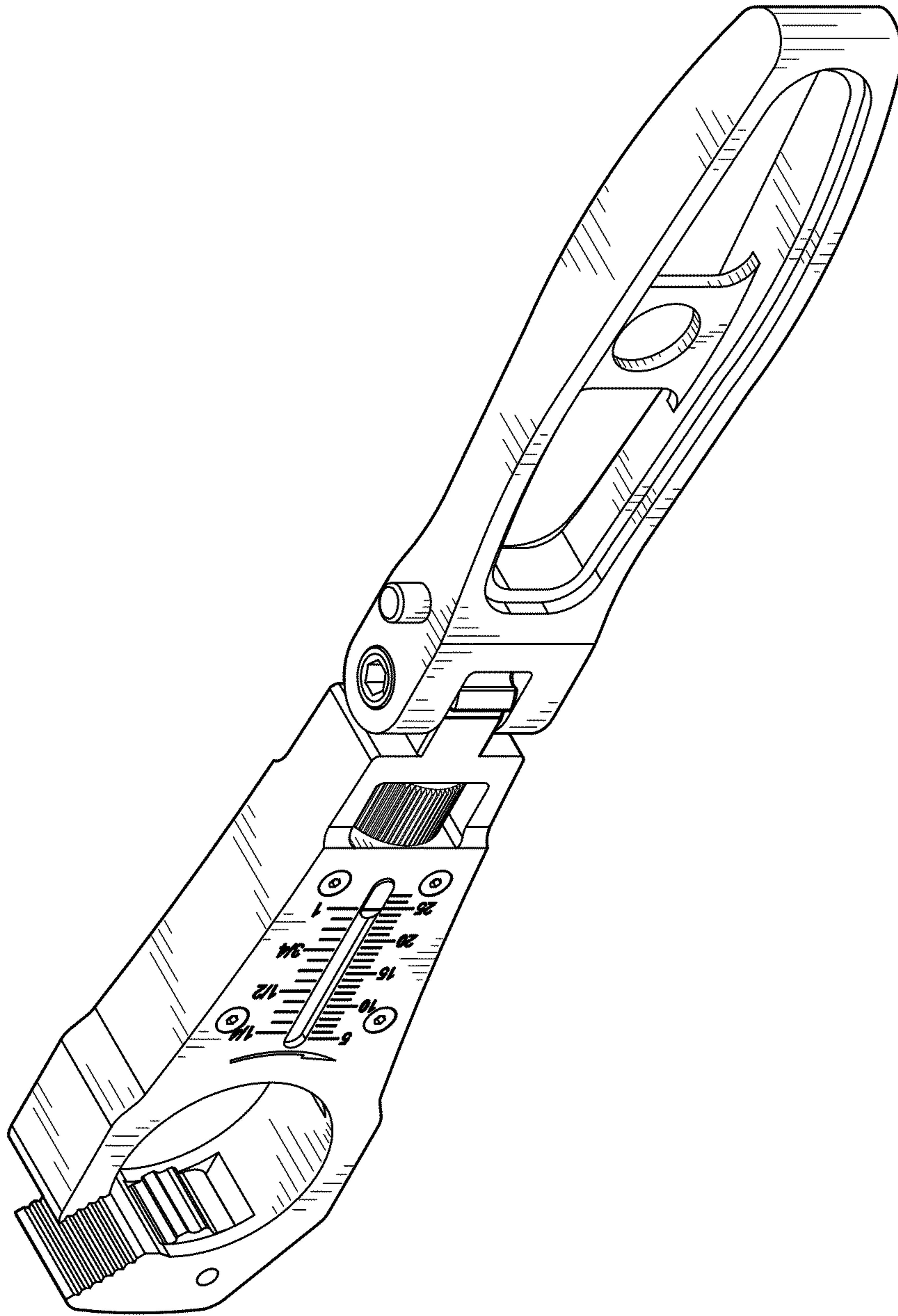


FIG. 1

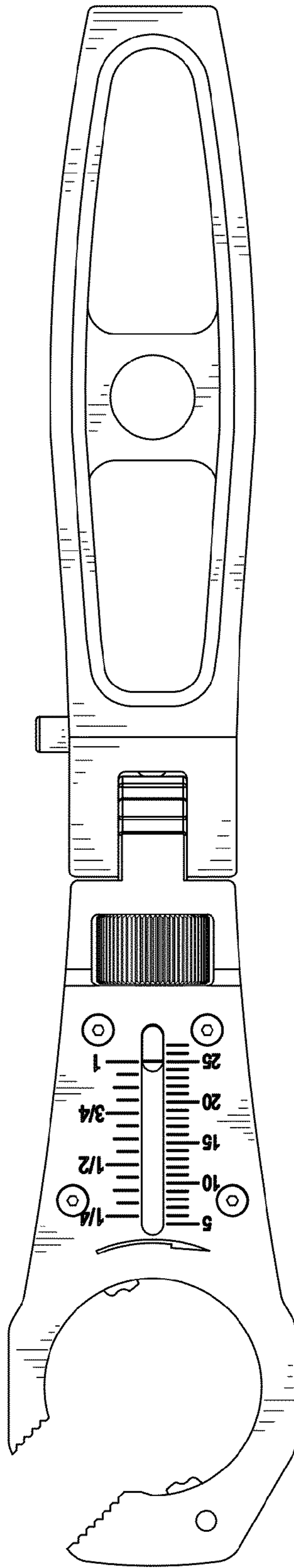


FIG. 2

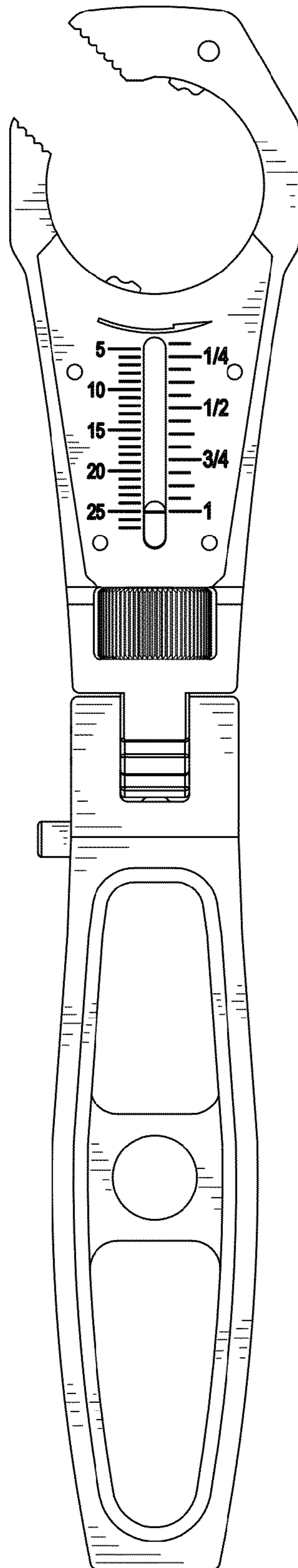


FIG. 3

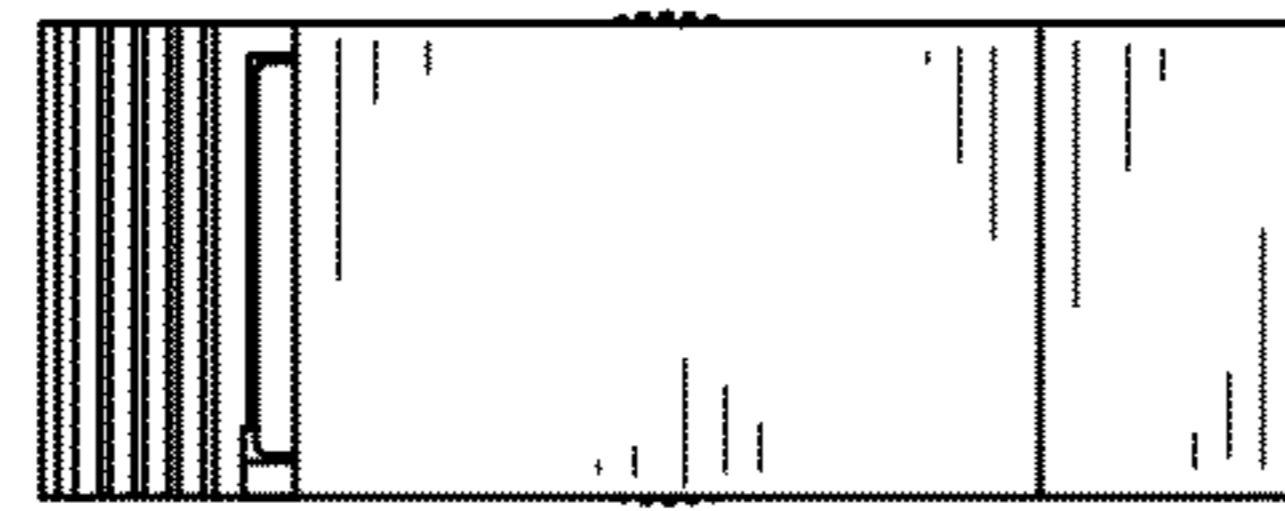


FIG. 4

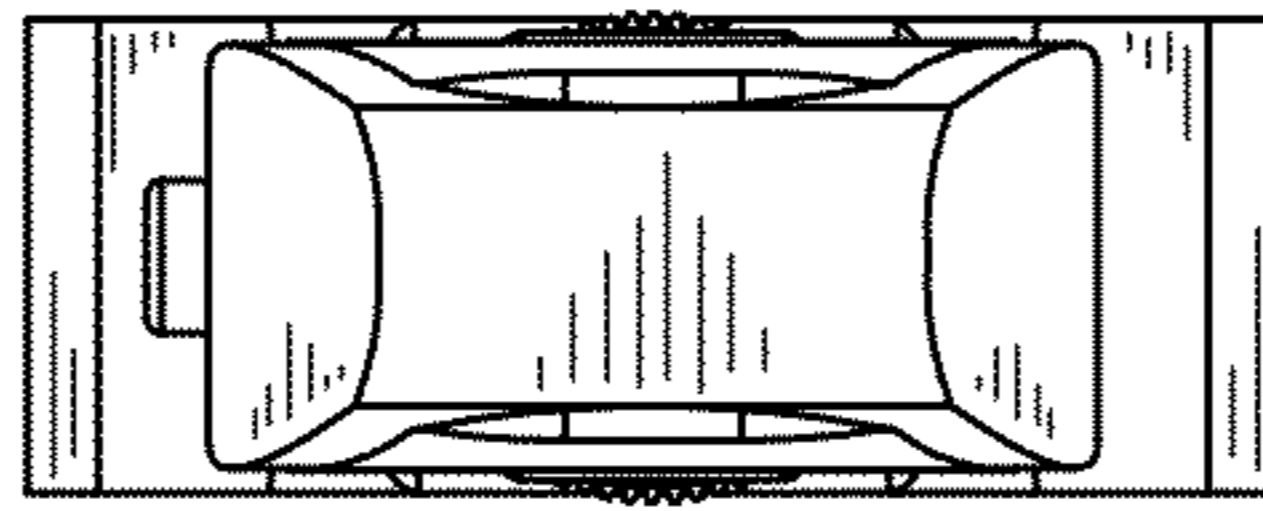


FIG. 5

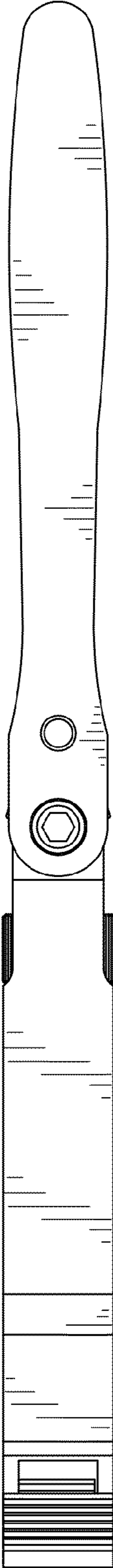


FIG. 6



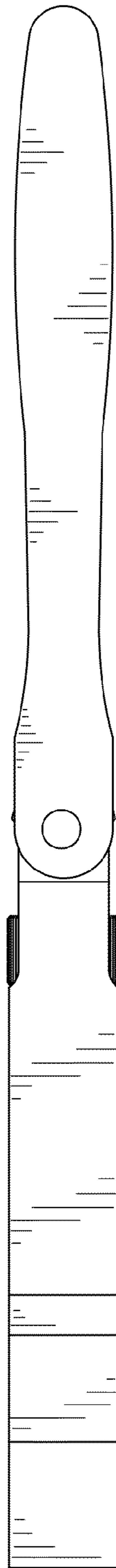


FIG. 7