



US00D724398S

(12) **United States Design Patent**
Streets

(10) **Patent No.:** **US D724,398 S**
(45) **Date of Patent:** **** Mar. 17, 2015**

(54) **WRENCH**
(71) Applicant: **GoPro, Inc.**, San Mateo, CA (US)
(72) Inventor: **Nicholas Streets**, San Francisco, CA (US)
(73) Assignee: **GoPro, Inc.**, San Mateo, CA (US)
(**) Term: **14 Years**
(21) Appl. No.: **29/500,070**
(22) Filed: **Aug. 21, 2014**
(51) **LOC (10) Cl.** **08-05**
(52) **U.S. Cl.**
USPC **D8/17; D8/21**
(58) **Field of Classification Search**
USPC D8/17, 18, 19, 21, 22, 26-29, 33-44, D8/77, 88, 89, 105; D11/132, 134, 138, D11/157, 163; 7/151-156; 30/400-410, 30/416-430, 433, 434, 443, 450; 81/3.07, 81/3.09, 3.2, 3.27, 3.29, 3.31, 3.35, 3.37, 81/3.4, 3.45, 3.48, 3.55
See application file for complete search history.

D488,691 S * 4/2004 Ziems D8/40
D598,723 S * 8/2009 Cheng D8/17
D619,435 S * 7/2010 Navas D8/27
D661,559 S * 6/2012 O'Connell et al. D8/18
D682,643 S * 5/2013 Yang D8/28
D689,351 S * 9/2013 Webb, Jr. D8/17
D693,660 S * 11/2013 Hackett et al. D8/18
8,607,668 B1 * 12/2013 Frank et al. 81/3.09

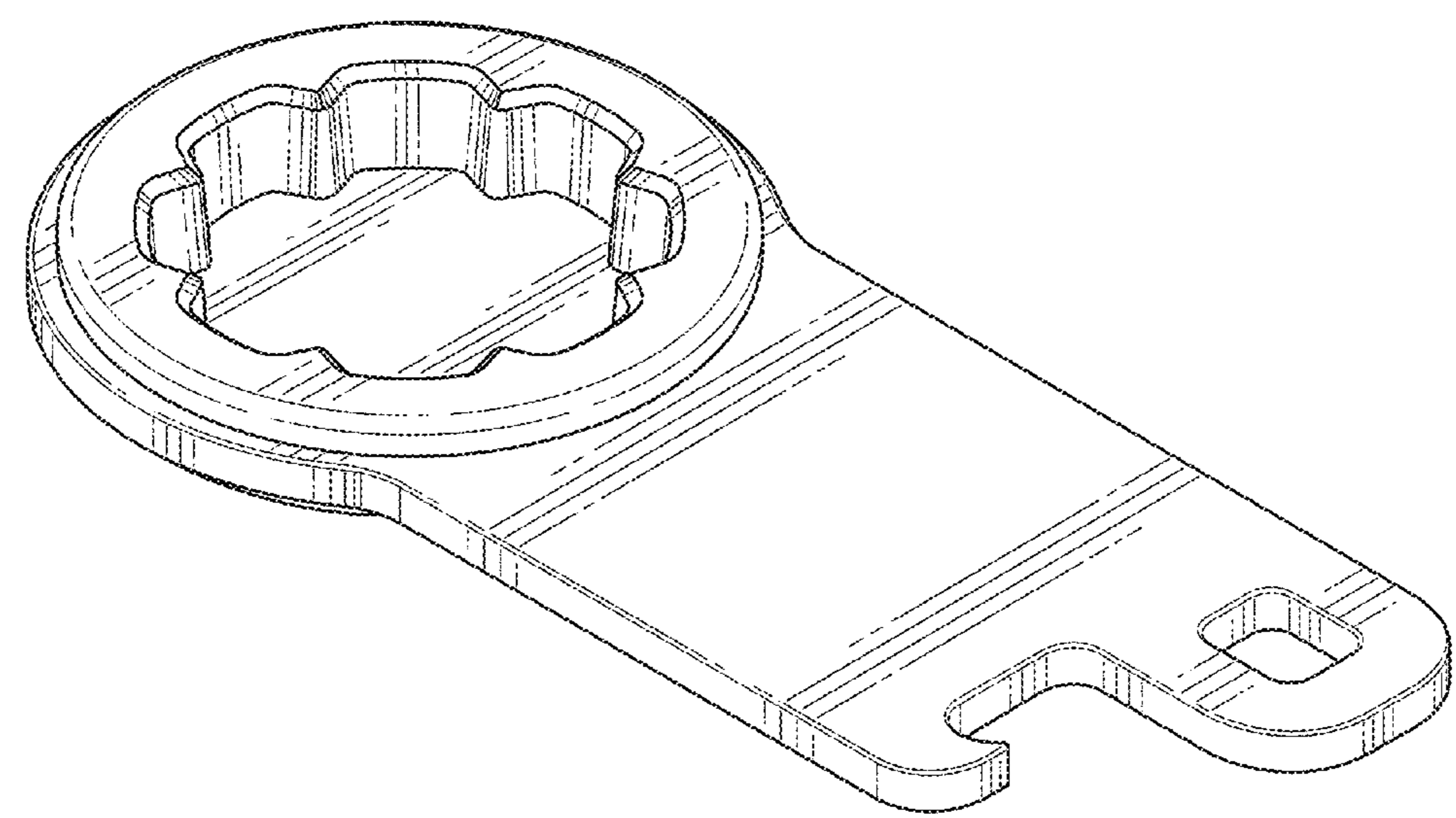
* cited by examiner
Primary Examiner — Randall Gholson
(74) *Attorney, Agent, or Firm* — Fenwick & West LLP

(56) **References Cited**
U.S. PATENT DOCUMENTS
5,931,063 A * 8/1999 Kuo 81/119
D461,107 S * 8/2002 Pitt D8/17
D466,769 S * 12/2002 Kelleghan D8/38

(57) **CLAIM**
The ornamental design for a wrench, as shown and described.

DESCRIPTION
FIG. 1 is a front, top and left side perspective view of a wrench showing our new design;
FIG. 2 is a rear, bottom and right side perspective view thereof;
FIG. 3 is a top plan view thereof;
FIG. 4 is a bottom plan view thereof;
FIG. 5 is a right side elevational view thereof;
FIG. 6 is a left side elevational view thereof;
FIG. 7 is a front elevational view thereof; and,
FIG. 8 is a rear elevational view thereof.

1 Claim, 8 Drawing Sheets



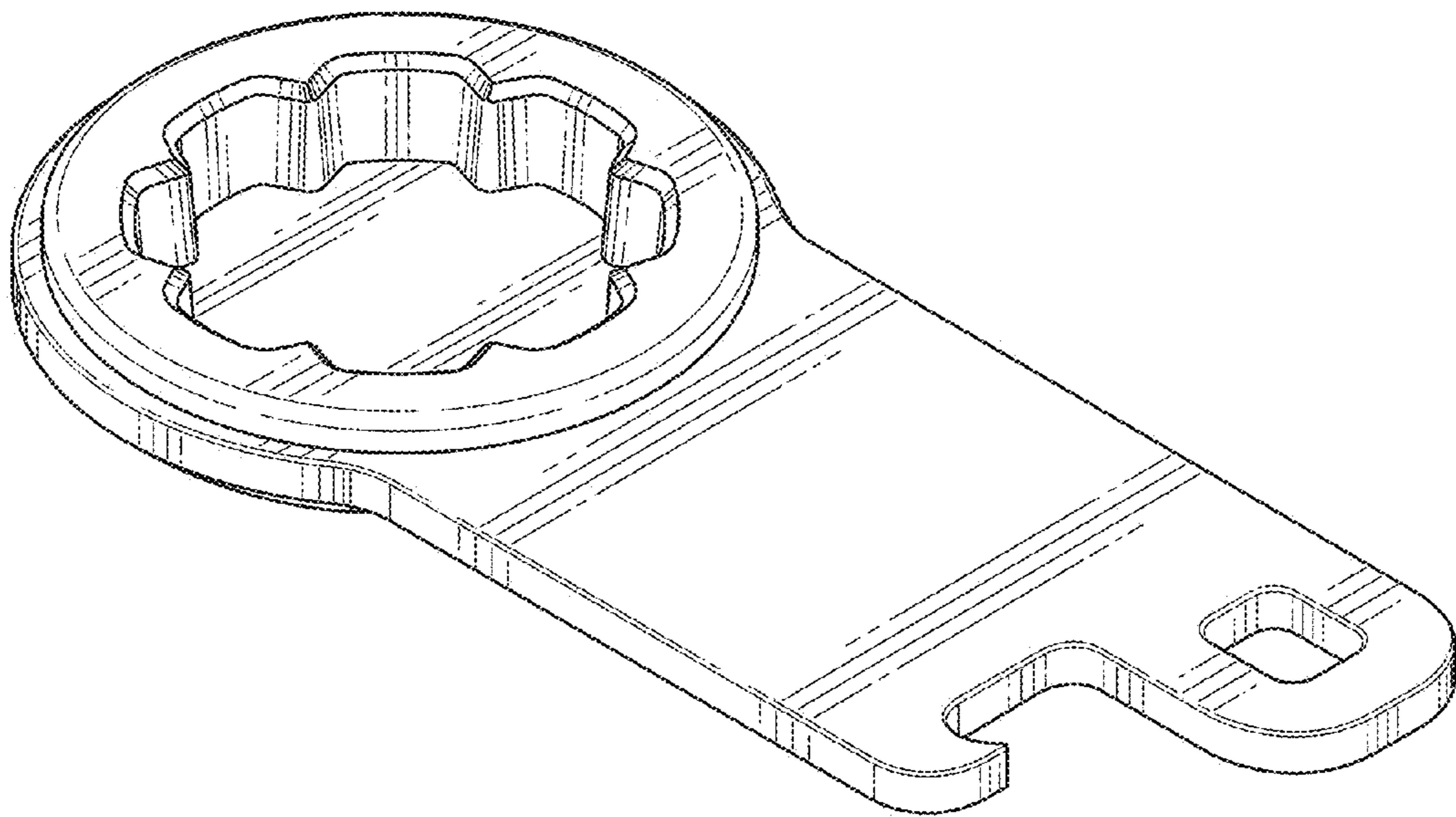


FIG. 1

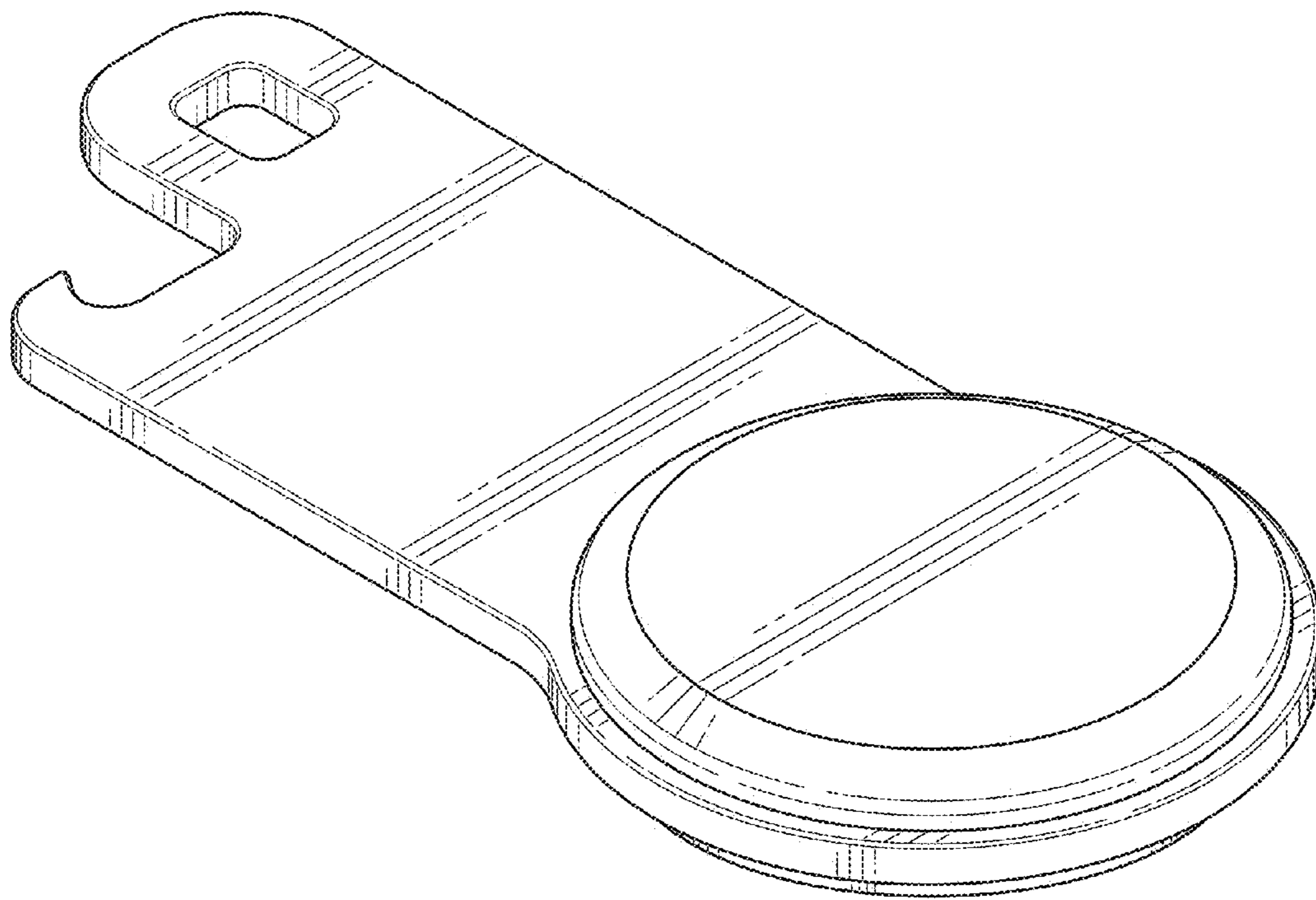


FIG. 2

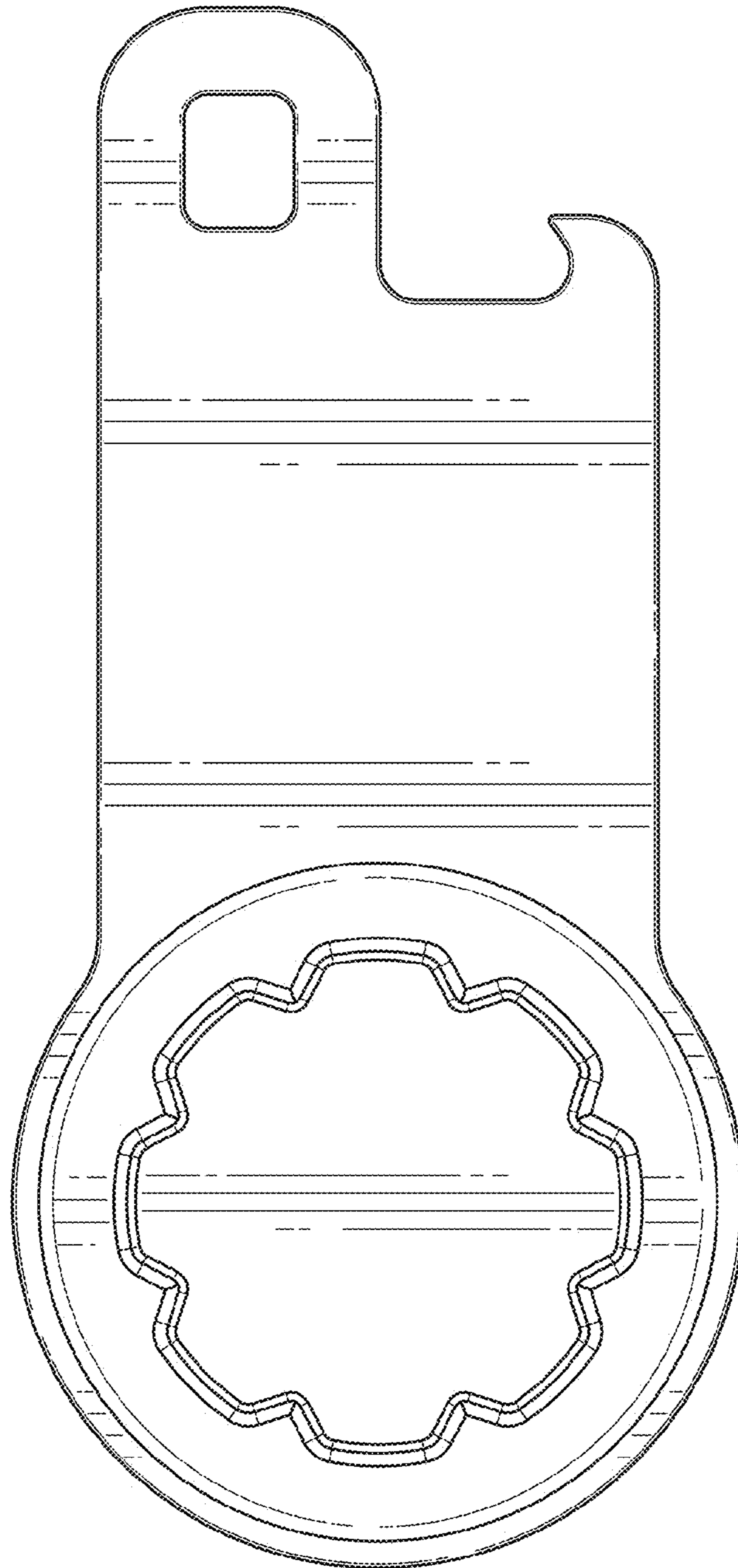


FIG. 3

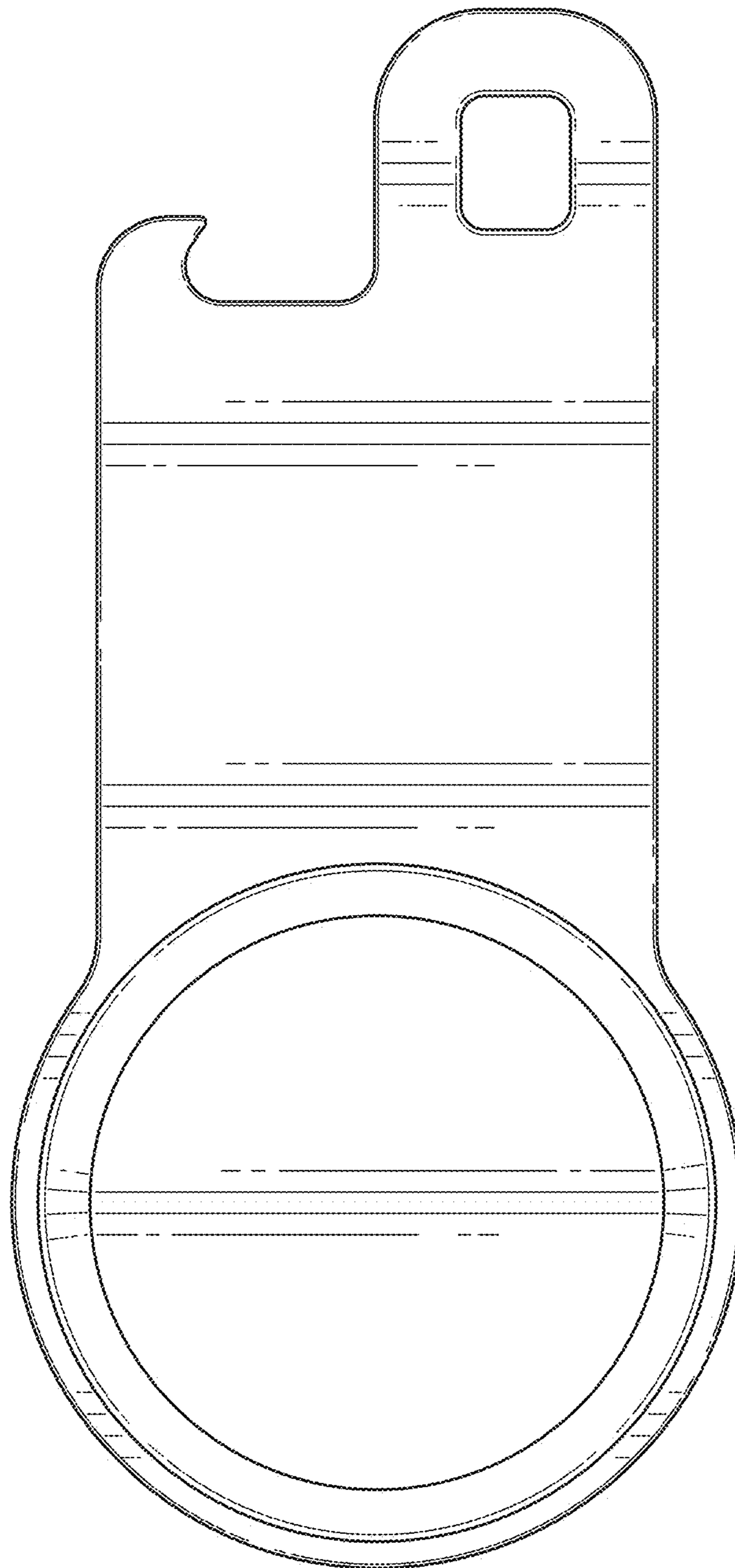


FIG. 4

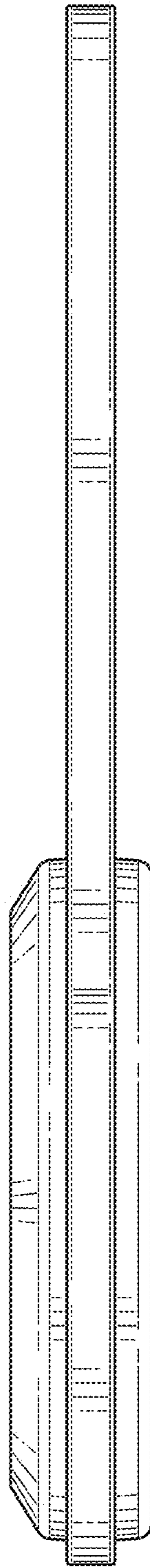


FIG. 5

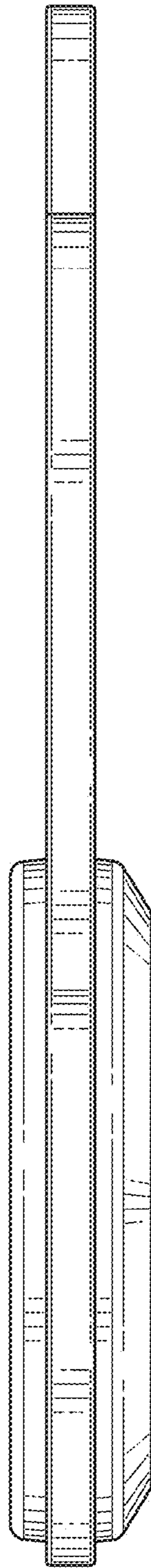


FIG. 6

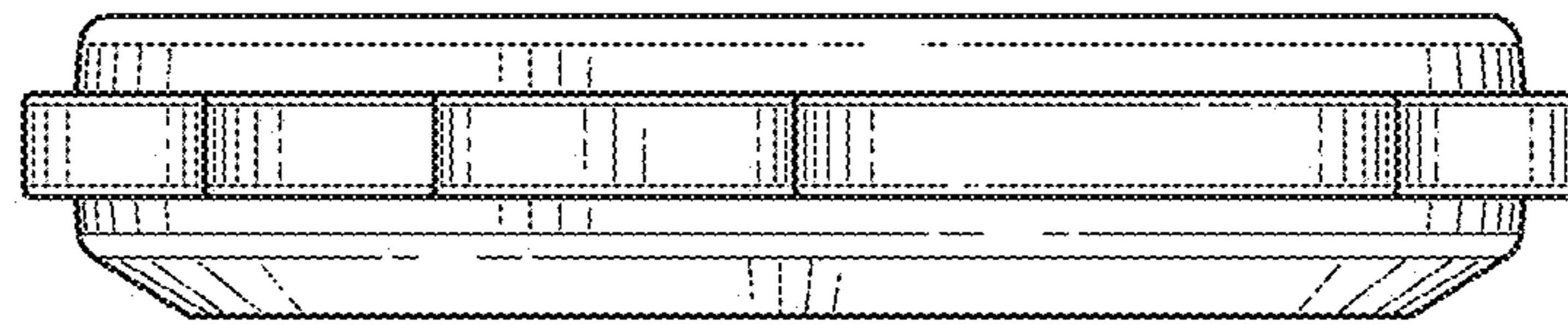


FIG. 7

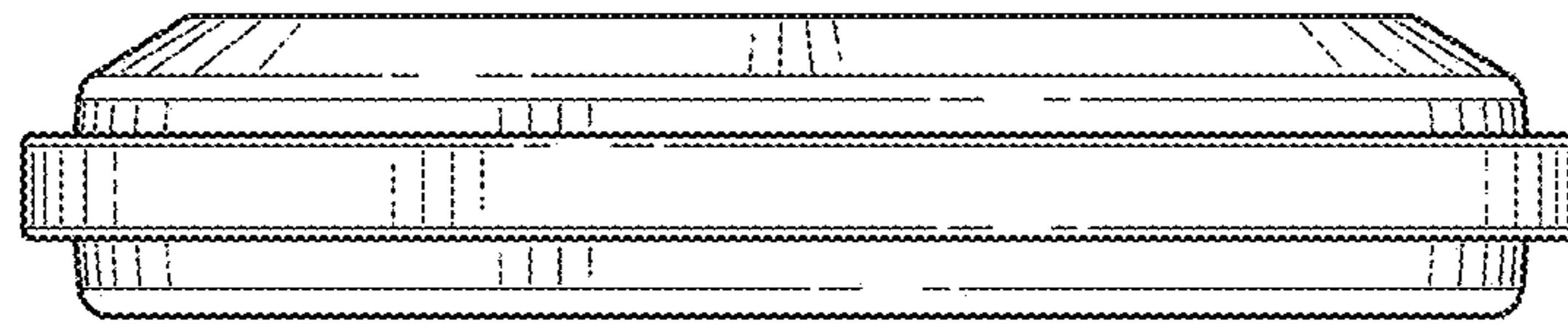


FIG. 8