



US00D724397S

(12) **United States Design Patent**  
**Buquoi**

(10) **Patent No.:** **US D724,397 S**

(45) **Date of Patent:** **\*\* Mar. 17, 2015**

- (54) **PLANTER TRIPLE RESERVOIR**
- (71) Applicant: **Flowerwindowboxes.com, Inc.**,  
Cumming, GA (US)
- (72) Inventor: **Matthew Buquoi**, Cumming, GA (US)
- (73) Assignee: **Flowerwindowboxes.com, Inc.**,  
Cumming, GA (US)

6,219,966	B1 *	4/2001	Lapointe et al.	47/62 C
6,247,268	B1 *	6/2001	Auer	47/62 R
6,643,978	B2 *	11/2003	Price	47/65.8
D506,110	S *	6/2005	Slobodnik et al.	D8/1
D510,846	S *	10/2005	Hardy	D8/1
D611,781	S *	3/2010	Sagedy	D8/1
D630,915	S *	1/2011	Buquoi	D8/1
8,166,704	B1 *	5/2012	Sydłowski	47/48.5
D669,752	S *	10/2012	DeMitchell et al.	D8/1
D687,925	S *	8/2013	Gill	D23/213

(\*\*) Term: **14 Years**

(21) Appl. No.: **29/498,663**

(22) Filed: **Aug. 6, 2014**

(51) **LOC (10) Cl.** ..... **08-01**

(52) **U.S. Cl.**  
USPC ..... **D8/1**

(58) **Field of Classification Search**  
USPC ..... D8/1; 47/65.8, 47, 40.5, 48.5, 43-44,  
47/32.4, 32, 38; D23/213, 214  
See application file for complete search history.

(56) **References Cited**

**U.S. PATENT DOCUMENTS**

D55,401	S *	6/1920	Teats	D21/564
3,800,471	A *	4/1974	Adams	47/79
D434,283	S *	11/2000	Dewey	D8/1

\* cited by examiner

*Primary Examiner* — Sheryl Lane

(74) *Attorney, Agent, or Firm* — Miller and Martin, PLLC

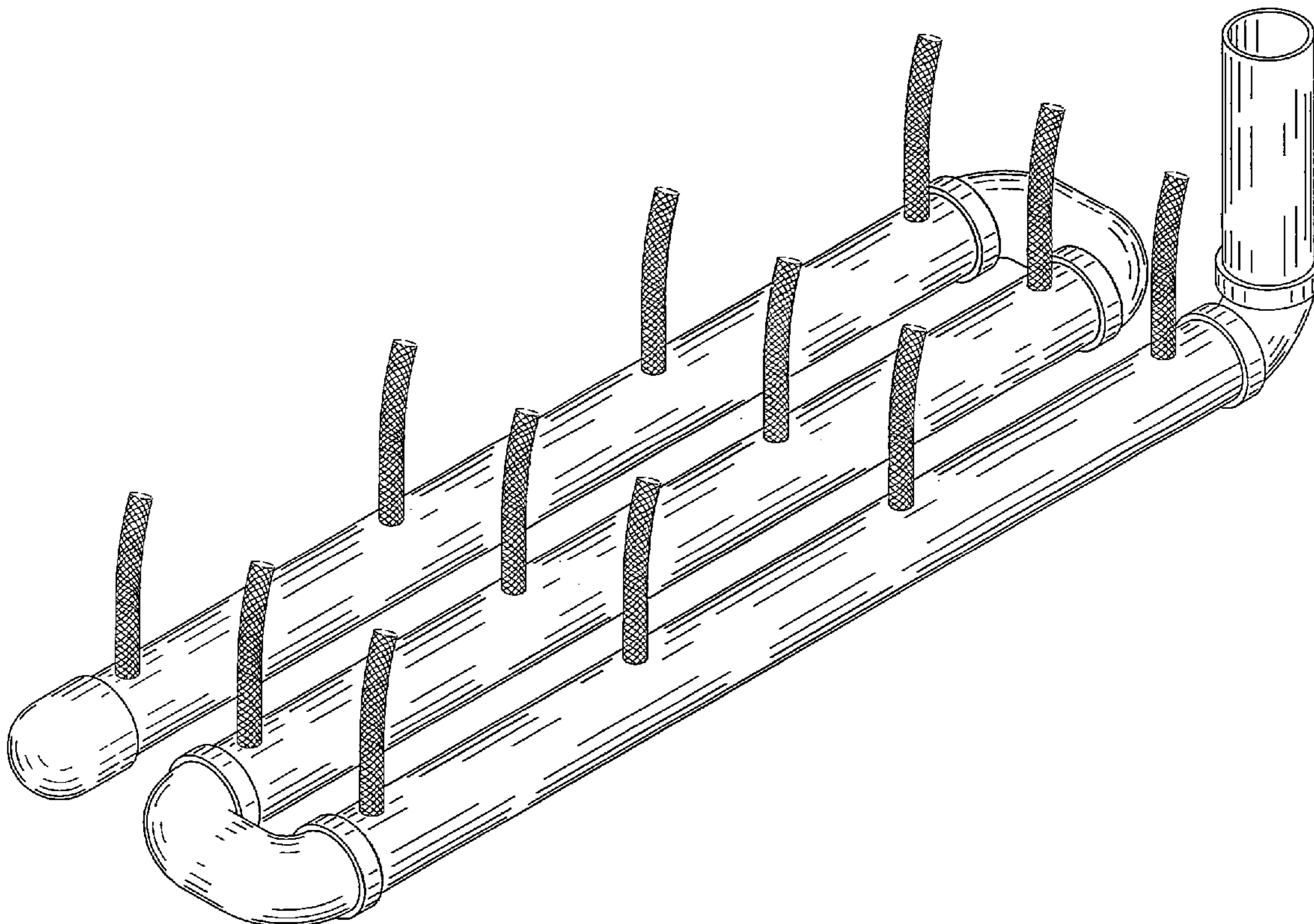
(57) **CLAIM**

The ornamental design for a planter triple reservoir, as shown and described.

**DESCRIPTION**

FIG. 1 is a perspective view of the planter triple reservoir;  
FIG. 2 is a front view thereof;  
FIG. 3 is a rear view thereof;  
FIG. 4 is a top view thereof;  
FIG. 5 is a bottom view thereof;  
FIG. 6 is a right side view thereof; and,  
FIG. 7 is a left side view thereof.  
The portions of the article shown in broken lines form no part of the claimed design.

**1 Claim, 4 Drawing Sheets**



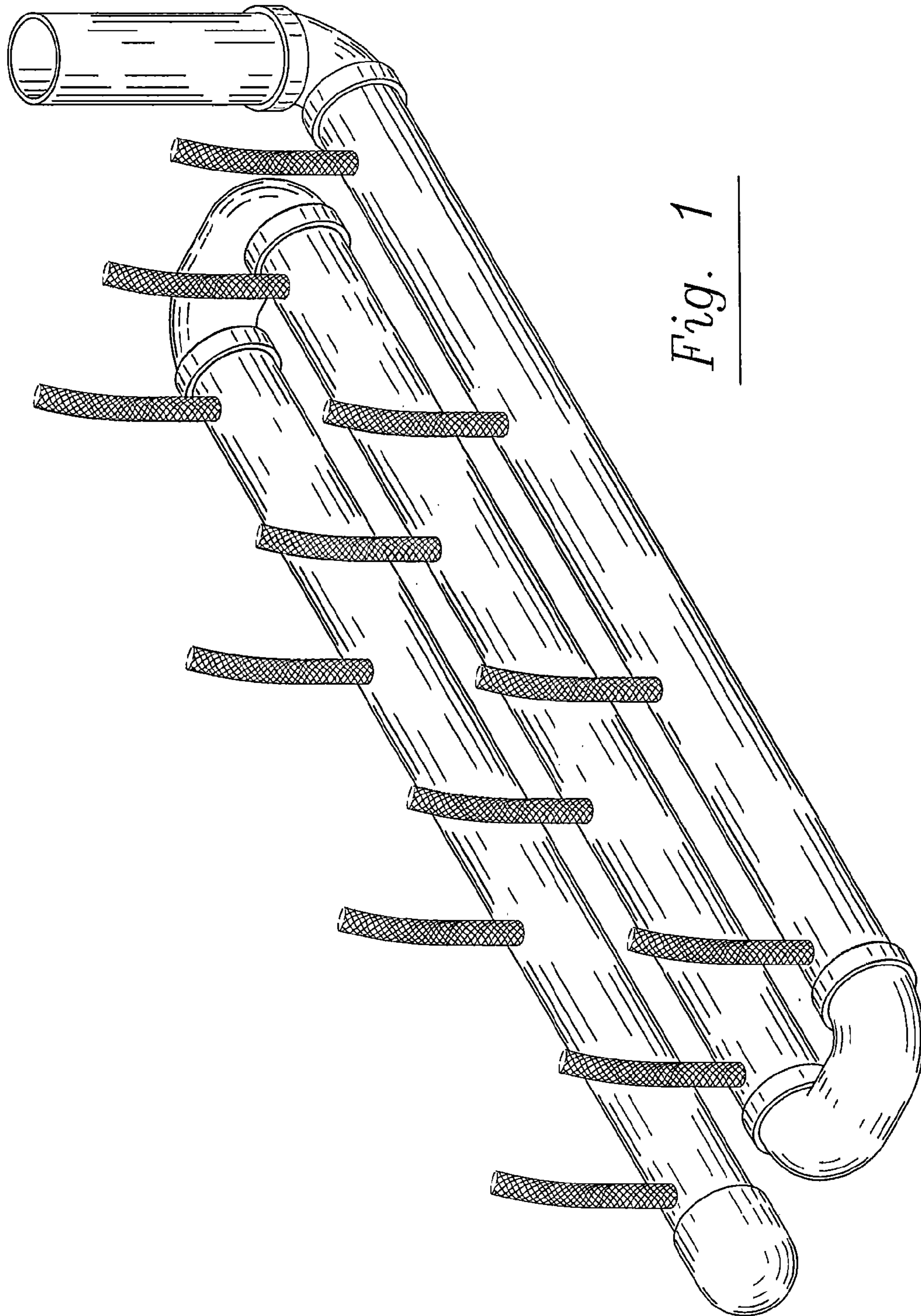
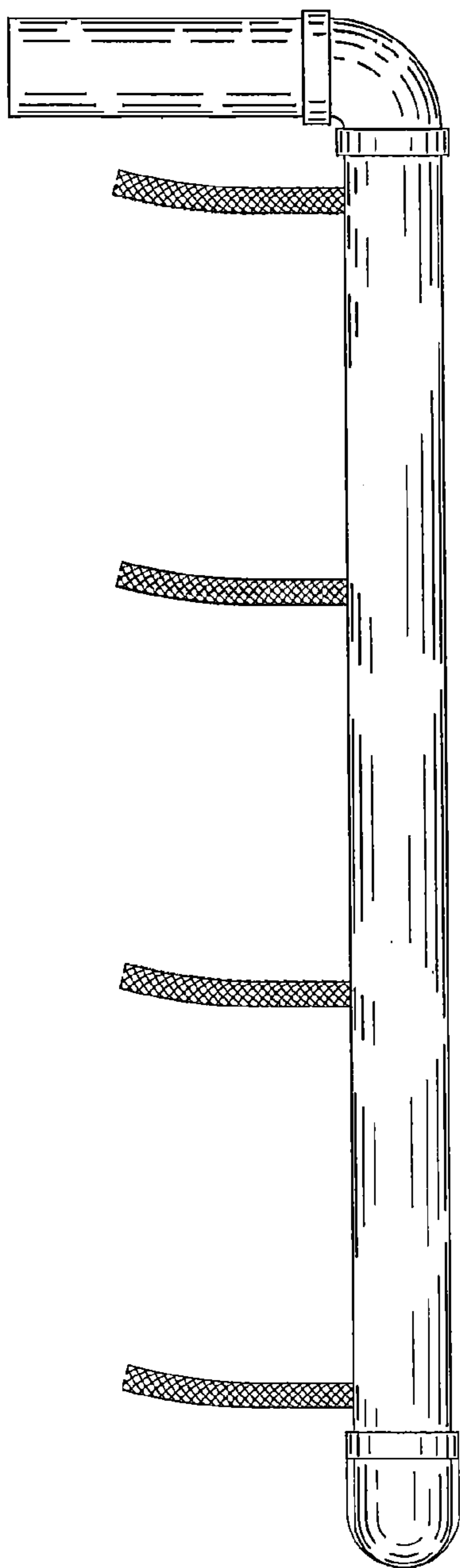
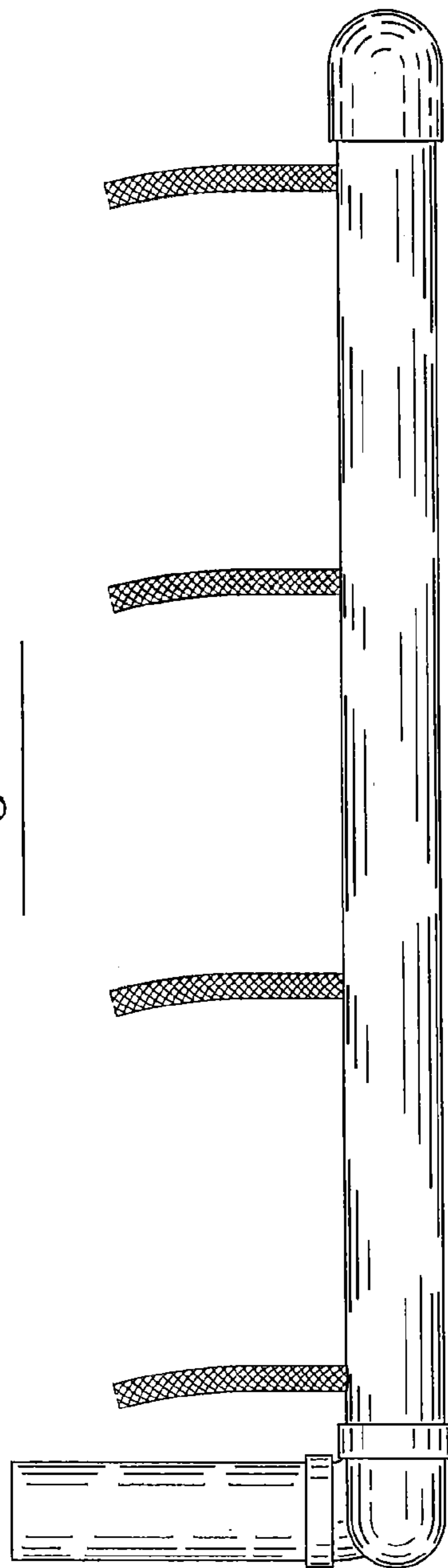


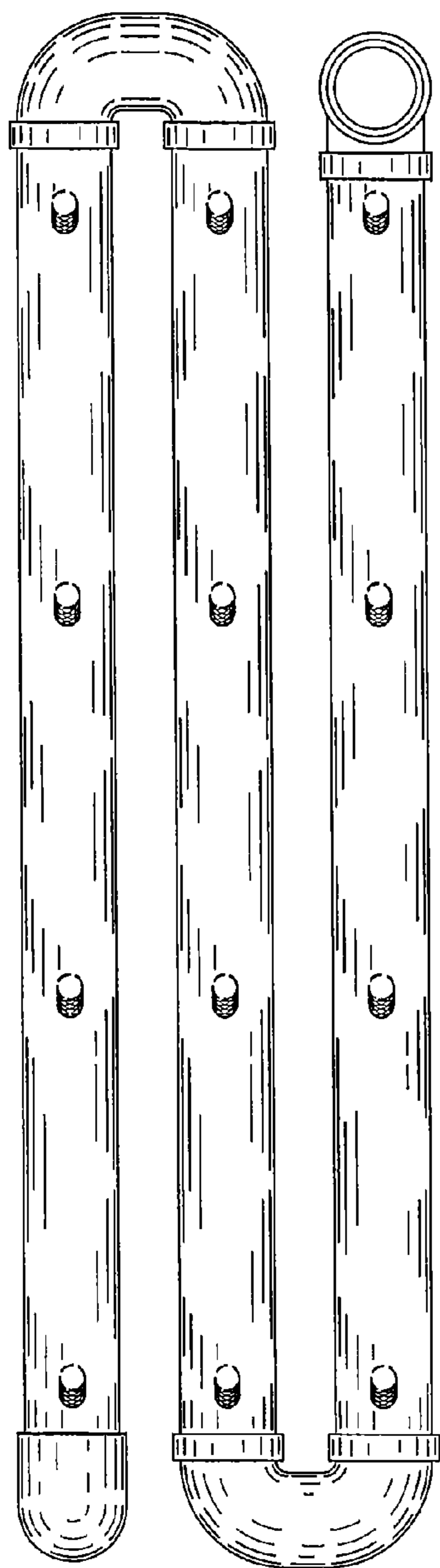
Fig. 1



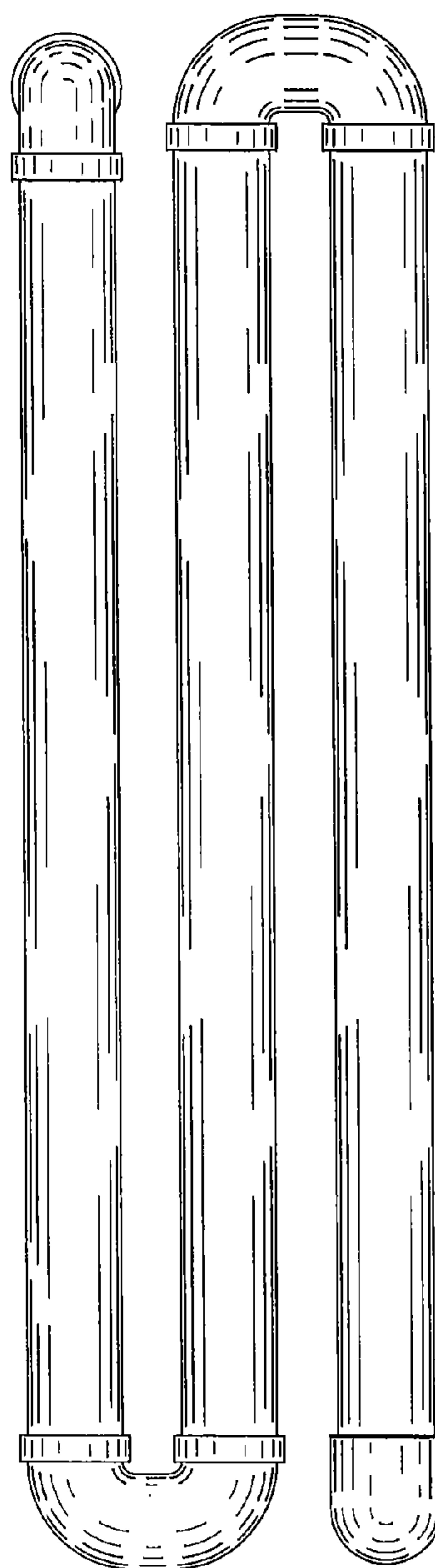
*Fig. 2*



*Fig. 3*



*Fig. 4*



*Fig. 5*

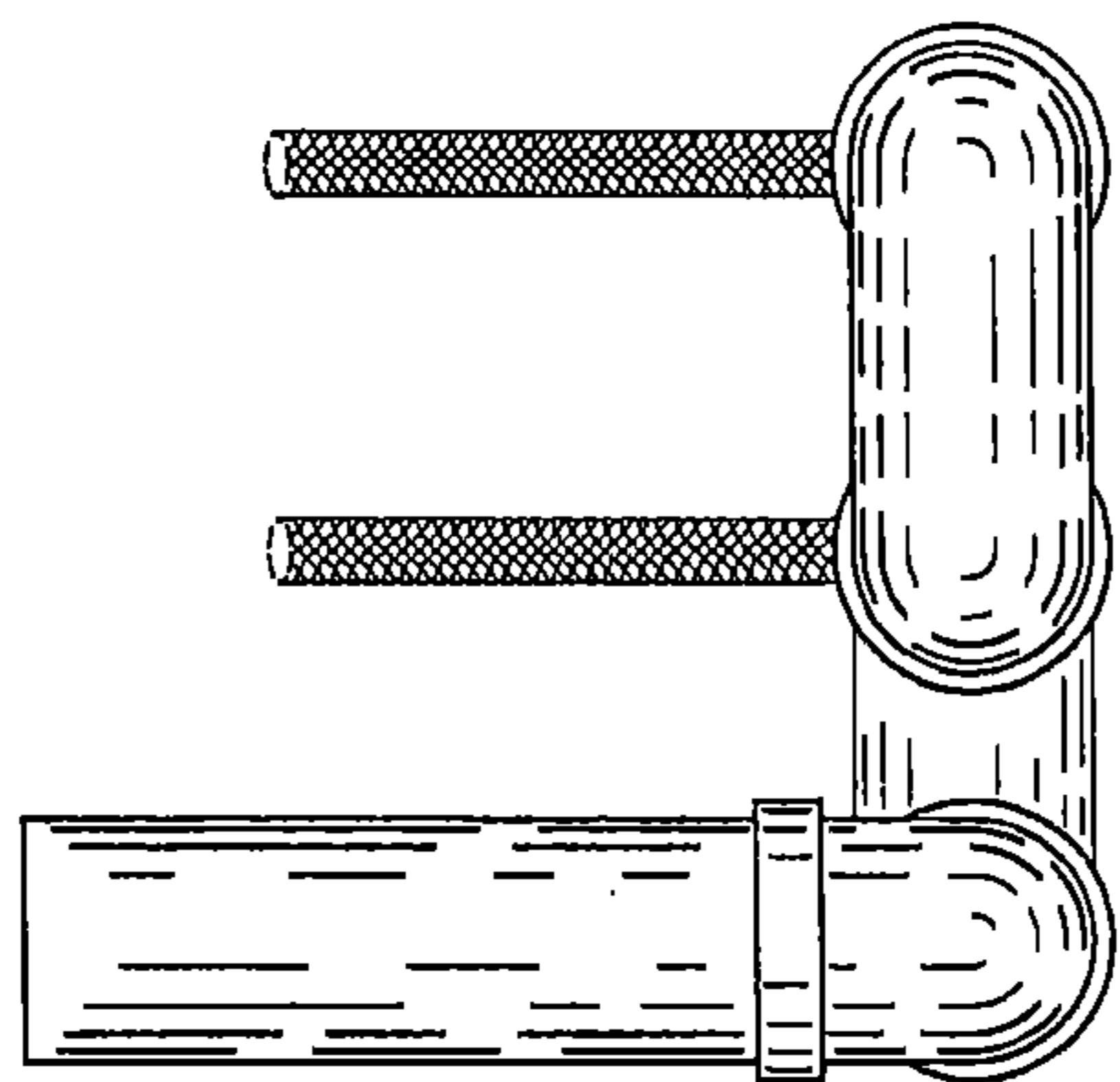


Fig. 7

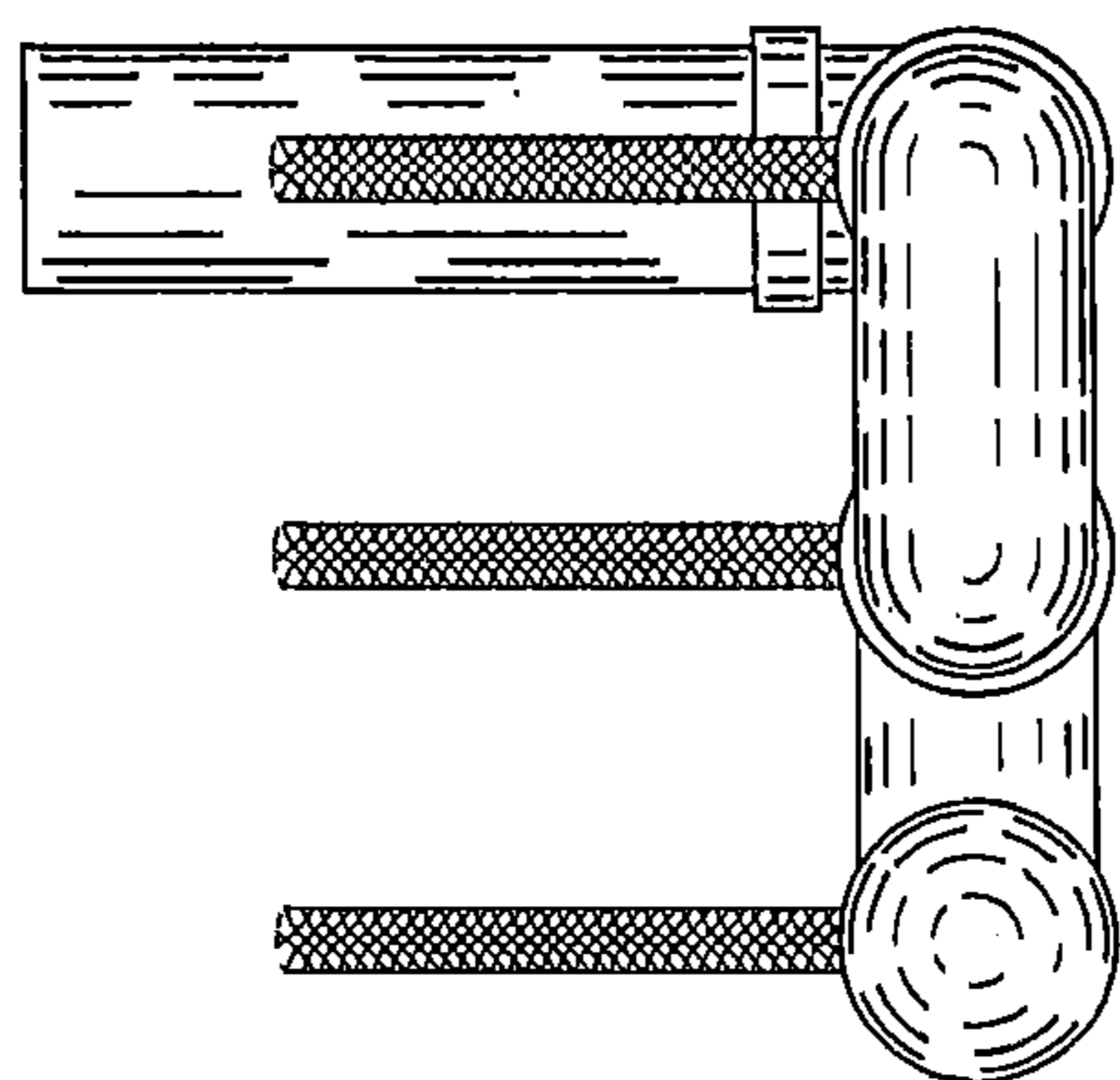


Fig. 6