



US00D724395S

(12) **United States Design Patent**  
**Goldy et al.**

(10) **Patent No.:** **US D724,395 S**  
(45) **Date of Patent:** **\*\* Mar. 17, 2015**

(54) **GRILLING TOOL**

(71) Applicants: **Robert Goldy**, New York, NY (US);  
**Edwin Chan**, Brooklyn, NY (US)

(72) Inventors: **Robert Goldy**, New York, NY (US);  
**Edwin Chan**, Brooklyn, NY (US)

(73) Assignee: **Trend Right Research and  
Development Corporation**, New York,  
NY (US)

(\*\*) Term: **14 Years**

(21) Appl. No.: **29/483,456**

(22) Filed: **Feb. 28, 2014**

(51) **LOC (10) Cl.** ..... **07-06**

(52) **U.S. Cl.**  
USPC ..... **D7/686**

(58) **Field of Classification Search**  
USPC ..... D7/669, 368, 680-696, 387; 294/118,  
294/119, 99.1, 99.2, 49, 55.5, 26, 3, 16;  
30/124, 142, 355; 7/109, 110, 113  
See application file for complete search history.

(56) **References Cited**

U.S. PATENT DOCUMENTS

|           |   |   |         |                |       |         |
|-----------|---|---|---------|----------------|-------|---------|
| 2,864,645 | A | * | 12/1958 | Meldrum        | ..... | 294/106 |
| D496,229  | S | * | 9/2004  | Kaposi         | ..... | D7/686  |
| D509,413  | S | * | 9/2005  | Marsden et al. | ..... | D7/686  |
| D606,815  | S | * | 12/2009 | Gallop et al.  | ..... | D7/686  |
| D628,029  | S | * | 11/2010 | Rothman        | ..... | D7/686  |

\* cited by examiner

*Primary Examiner* — Terry Wallace

(74) *Attorney, Agent, or Firm* — Dinsmore & Shohl LLP

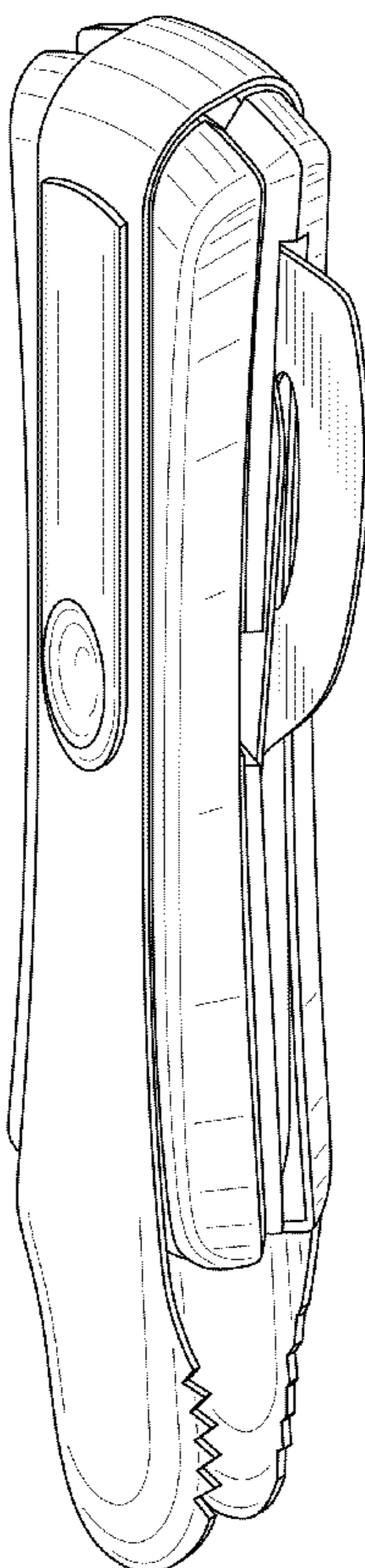
(57) **CLAIM**

The ornamental design for a grilling tool, as shown and described.

**DESCRIPTION**

FIG. 1 is a perspective view of a grilling tool according to an embodiment of the present design;  
FIG. 2 is a front elevation view of the grilling tool of FIG. 1;  
FIG. 3 is a rear elevation view of the grilling tool of FIG. 1;  
FIG. 4 is a right elevation view of the grilling tool of FIG. 1;  
FIG. 5 is a left elevation view of the grilling tool of FIG. 1;  
FIG. 6 is a top view of the grilling tool of FIG. 1; and,  
FIG. 7 is a bottom view of the grilling tool of FIG. 1.

**1 Claim, 5 Drawing Sheets**



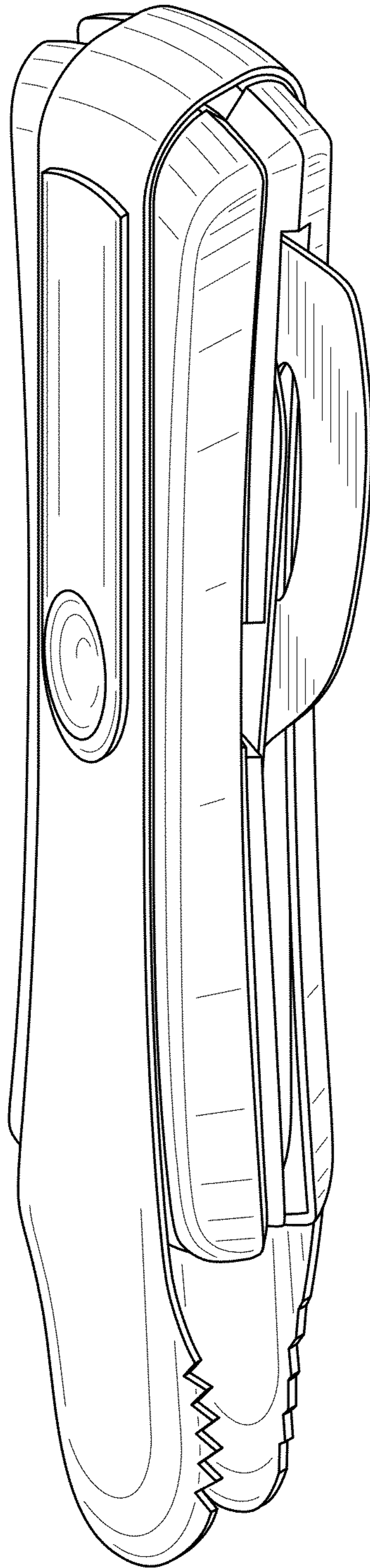


FIG. 1

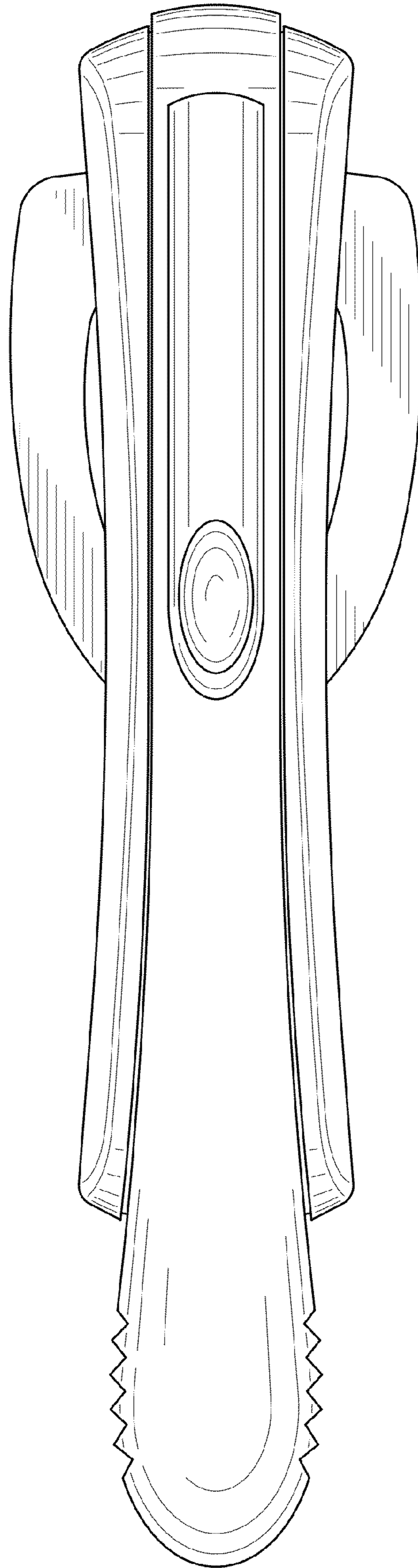


FIG. 2

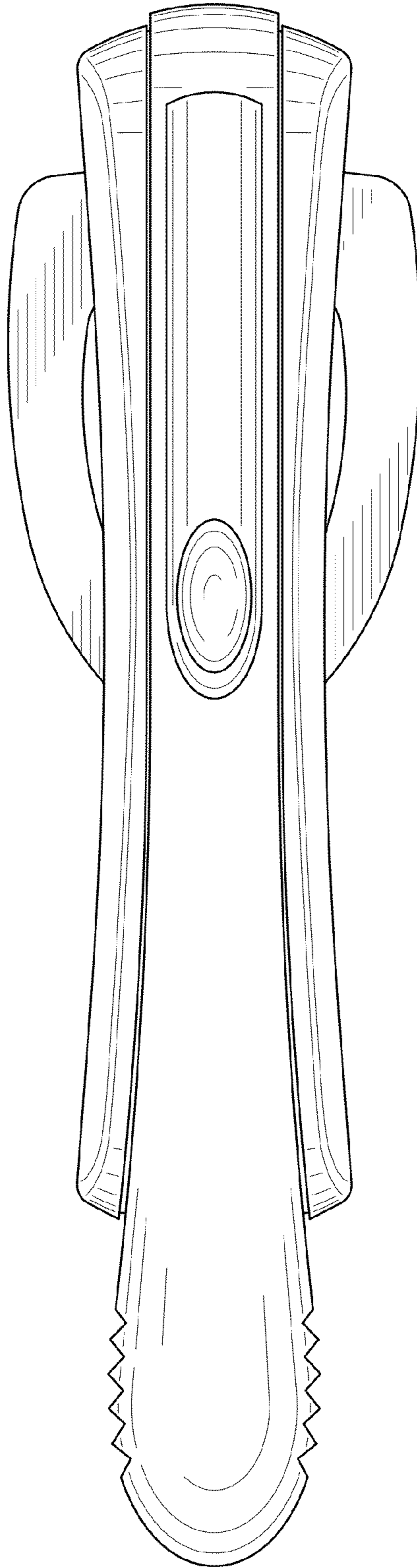


FIG. 3

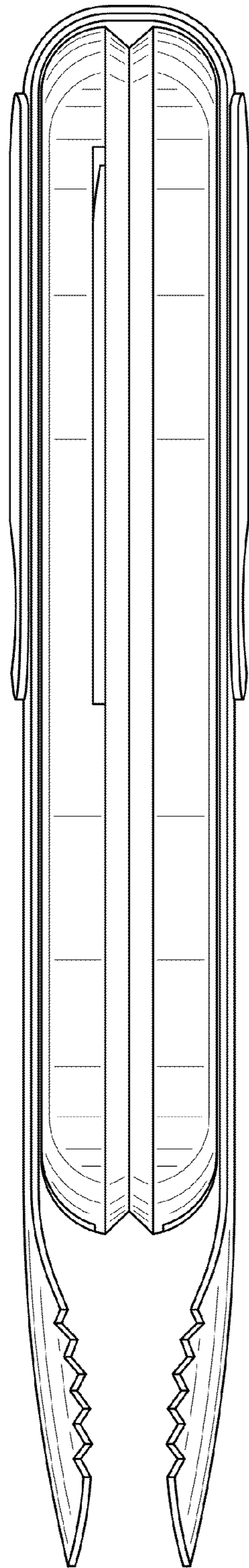


FIG. 4

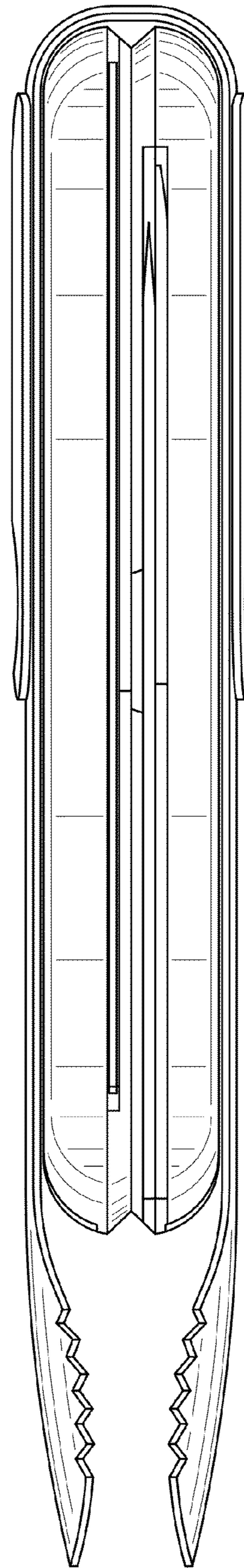


FIG. 5

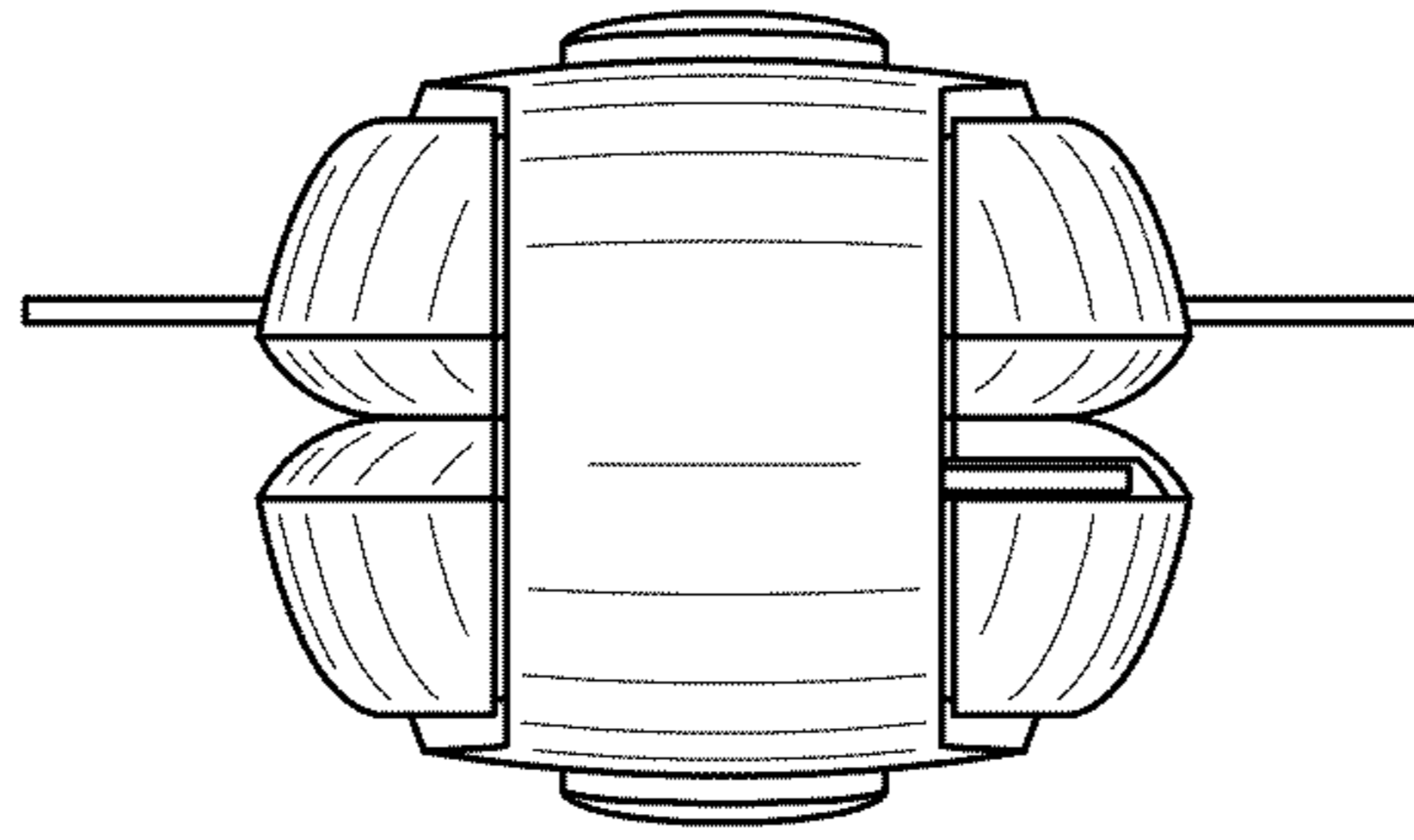


FIG. 6

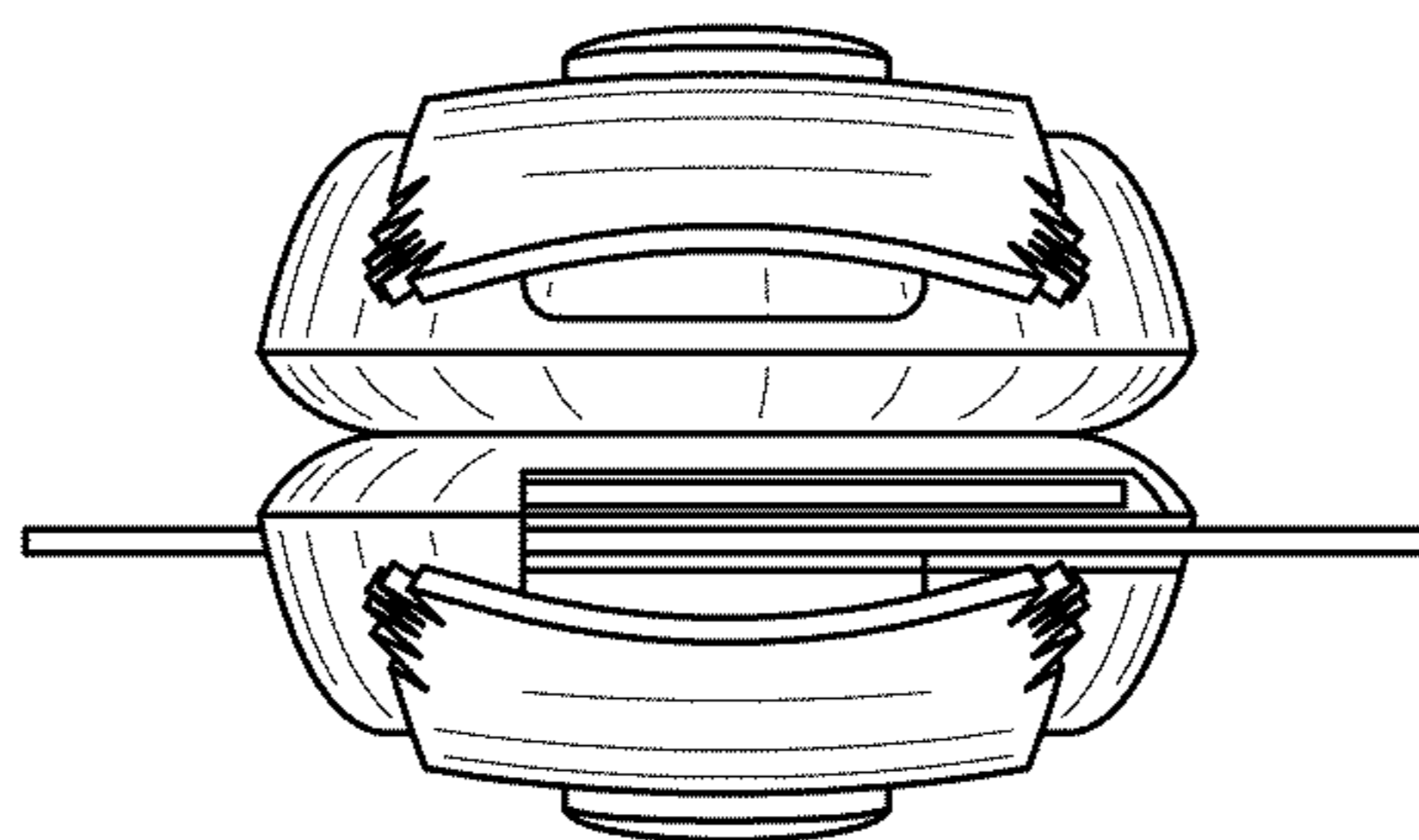


FIG. 7