



US00D724392S

(12) **United States Design Patent**
Berndtsson

(10) **Patent No.:** **US D724,392 S**
(45) **Date of Patent:** **** Mar. 17, 2015**

(54) **FLATWARE**

(71) Applicant: **Hakan Berndtsson**, Vastra Frolunda (SE)

(72) Inventor: **Hakan Berndtsson**, Vastra Frolunda (SE)

(**) Term: **14 Years**

(21) Appl. No.: **29/477,707**

(22) Filed: **Dec. 26, 2013**

(30) **Foreign Application Priority Data**

Jun. 27, 2013 (EP) 002264127-0001
Jun. 27, 2013 (EP) 002264127-0002

(51) **LOC (10) Cl.** **07-03**

(52) **U.S. Cl.**
USPC **D7/653; D7/401.2; D7/642**

(58) **Field of Classification Search**

CPC A01D 9/02; A01D 9/04; A01D 9/06;
A47G 21/00; A47G 21/004; A47G 21/005;
A47G 21/02; A47G 21/023; A47G 21/04;
A47G 21/06; A47G 21/08; A47J 43/28;
A47J 43/281; A47J 43/282; A61F 13/10;
A61J 7/0023; B25G 1/00; B25G 1/01; B25G
1/02; B25G 3/00; B65D 75/56; B65D 75/563;
B65D 75/566; B67B 7/00; B67B 7/724;
B67B 7/73
USPC D7/368, 401.2, 642-645, 648, 653-664,
D7/669, 675-677, 683, 688-689, 691;
D8/107, 300-301; D11/99;
D22/117-118; 16/110.1, 407, 430;
30/1, 137, 142-150, 322-329, 340,
30/342-345; 294/25-26, 49, 55.5, 57
See application file for complete search history.

(56) **References Cited**

U.S. PATENT DOCUMENTS

527,115 A * 10/1894 Kimball 30/327
780,781 A * 1/1905 Curtis 30/324

(Continued)

FOREIGN PATENT DOCUMENTS

CZ 5597 U1 3/1997
DE 38 05 997 A1 9/1988

(Continued)

Primary Examiner — Ricky Pham

(74) *Attorney, Agent, or Firm* — Nixon & Vanderhye, P.C.

(57) **CLAIM**

The ornamental design for “flatware,” as shown and described.

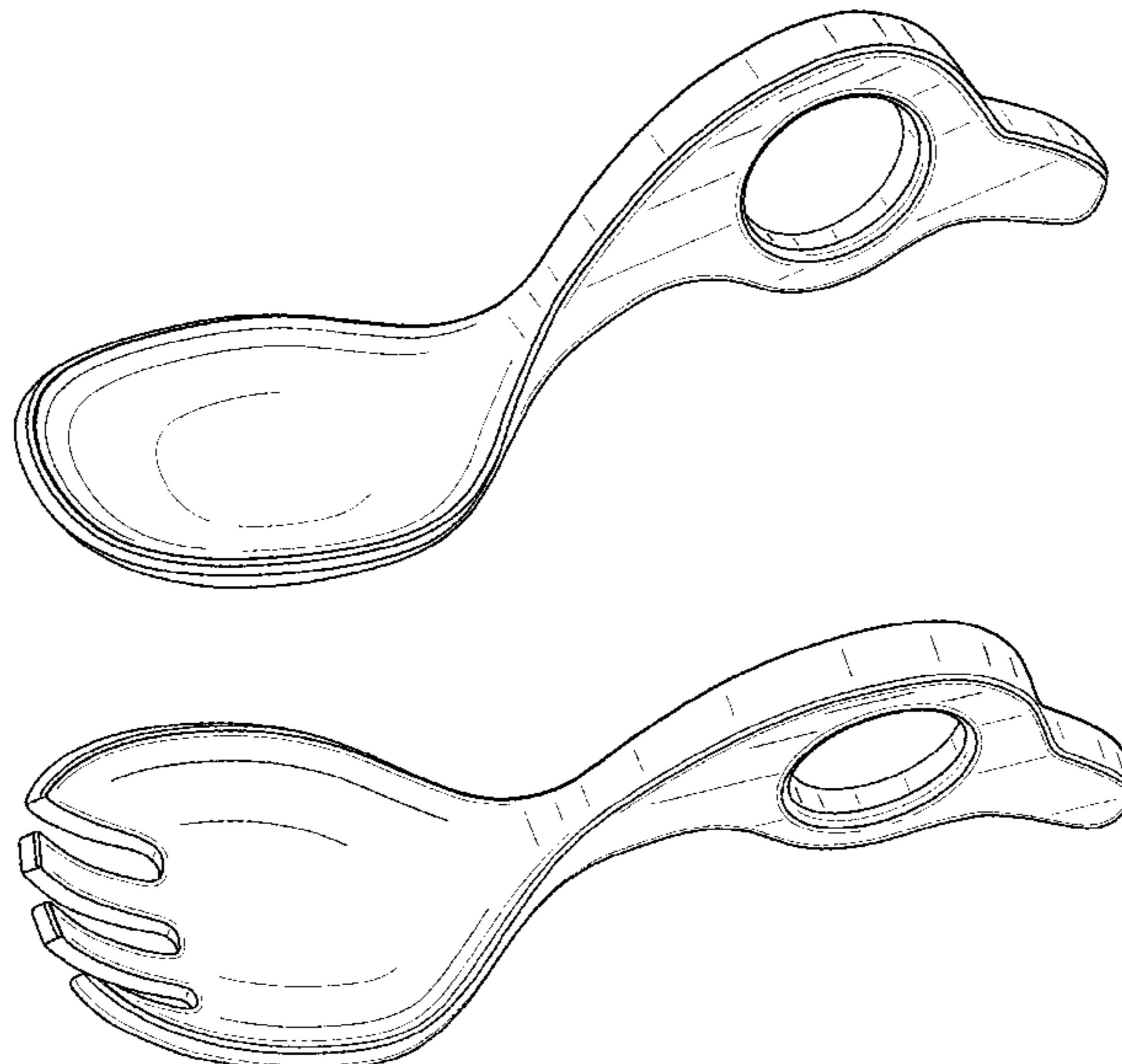
DESCRIPTION

FIG. 1 is a top, front perspective view of flatware in accordance with a first example embodiment of my new design; FIG. 2 is a top, rear perspective view the example embodiment of FIG. 1;

FIG. 3 is a front view of the embodiment of FIG. 1; FIG. 4 is a top plan view of the embodiment of FIG. 1; FIG. 5 is a bottom view of the embodiment of FIG. 1; FIG. 6 is a right side view of the embodiment of FIG. 1; FIG. 7 is left side view of the embodiment of FIG. 1; FIG. 8 is a top, front perspective view of flatware in accordance with a second example embodiment of my new design; FIG. 9 is a bottom, rear perspective view the example embodiment of FIG. 8;

FIG. 10 is a front view of the embodiment of FIG. 8; FIG. 11 is a top plan view of the embodiment of FIG. 8; FIG. 12 is a bottom view of the embodiment of FIG. 8; FIG. 13 is a right side view of the embodiment of FIG. 8; and, FIG. 14 is left side view of the embodiment of FIG. 8.

1 Claim, 4 Drawing Sheets



(56)

References Cited

U.S. PATENT DOCUMENTS

1,128,190 A * 2/1915 Routery 30/327
 1,273,642 A * 7/1918 Margetti 30/327
 1,625,003 A * 4/1927 Walker 30/324
 1,648,123 A * 11/1927 Hodgman 30/326
 2,338,980 A * 1/1944 Stratton 30/324
 D156,370 S * 12/1949 Randall D7/648
 D158,818 S * 5/1950 Titensky D7/648
 D161,359 S * 12/1950 Milne D7/648
 2,682,705 A * 7/1954 Johnson 30/324
 2,725,631 A * 12/1955 Renke 30/322
 2,889,624 A * 6/1959 McDonald
 2,942,342 A * 6/1960 Warren et al. 30/327
 D191,406 S * 9/1961 Newmark D7/648
 3,054,184 A * 9/1962 Wyner et al. 30/326
 3,224,093 A * 12/1965 Huck 30/324

D318,401 S * 7/1991 Beaumont D7/648
 5,060,386 A * 10/1991 Mars 30/327
 5,068,967 A * 12/1991 Mars 30/324
 5,075,975 A * 12/1991 Wilson 30/322
 5,131,151 A * 7/1992 Agase et al. 30/327
 5,373,643 A * 12/1994 Warren 30/322
 D507,203 S * 7/2005 Claude D11/99
 D590,214 S * 4/2009 Cox D7/643
 D658,017 S * 4/2012 Roberts D7/653
 D696,904 S * 1/2014 Swierski et al. D7/401.2
 2007/0084064 A1 4/2007 Fite et al.

FOREIGN PATENT DOCUMENTS

JP 2000-157401 A 6/2000
 PT 7 150 U 12/1872

* cited by examiner

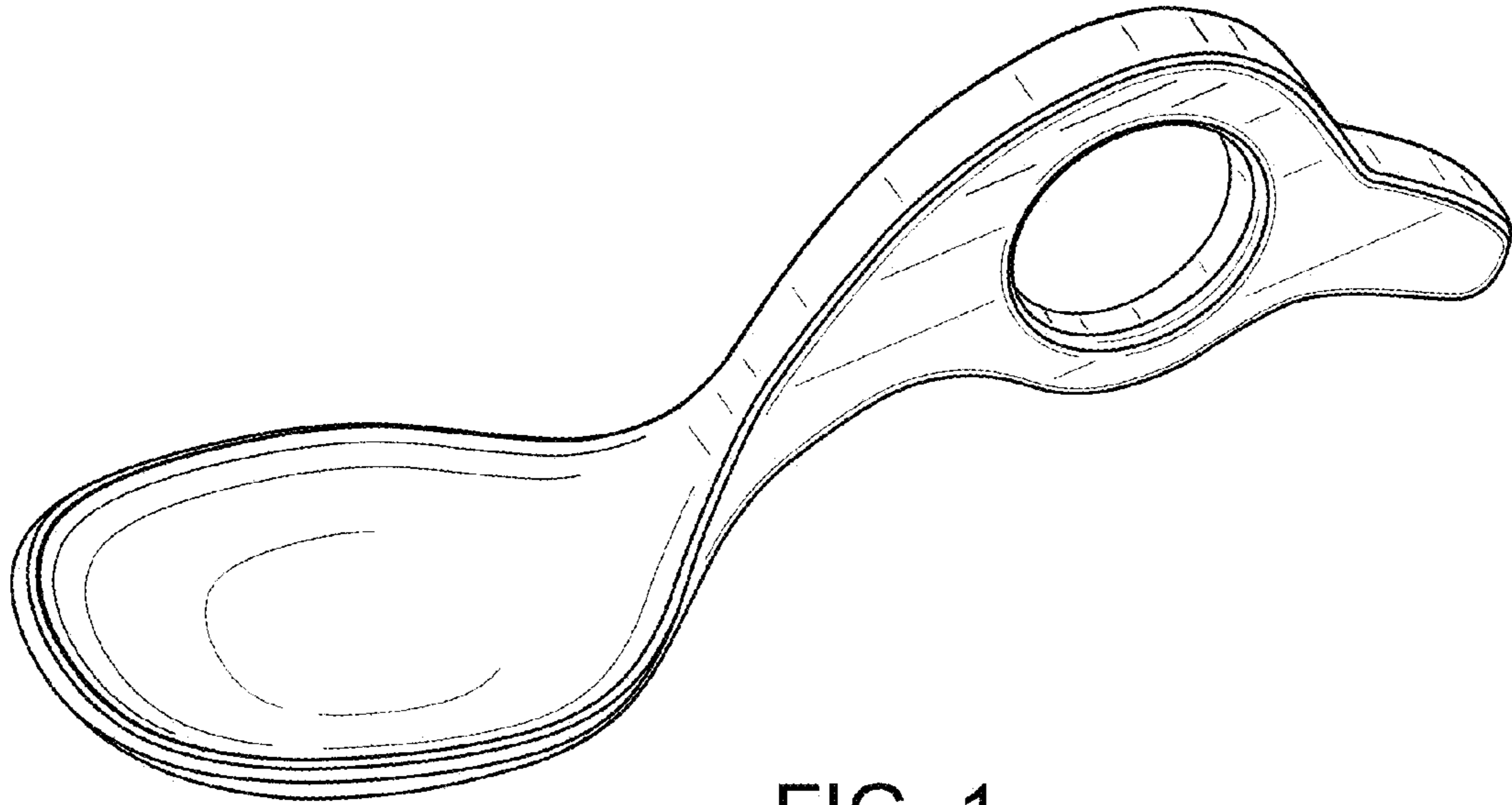


FIG. 1

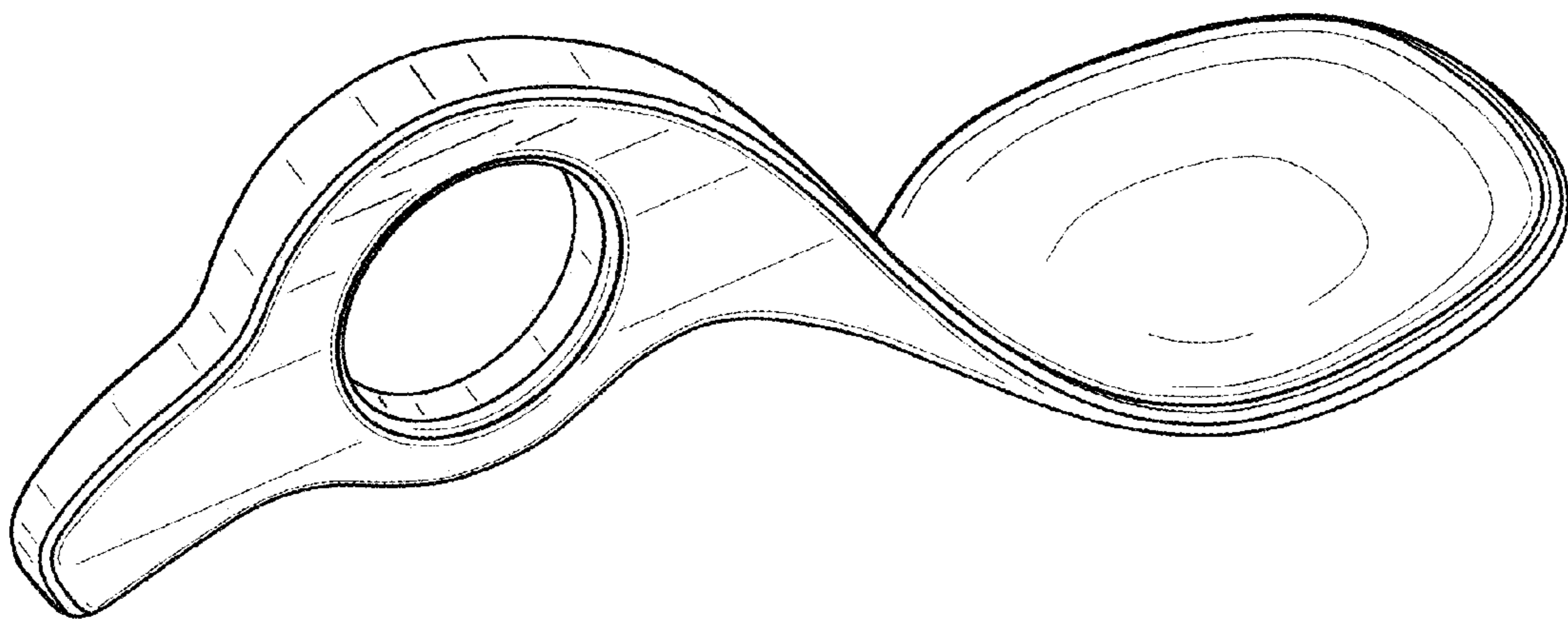


FIG. 2

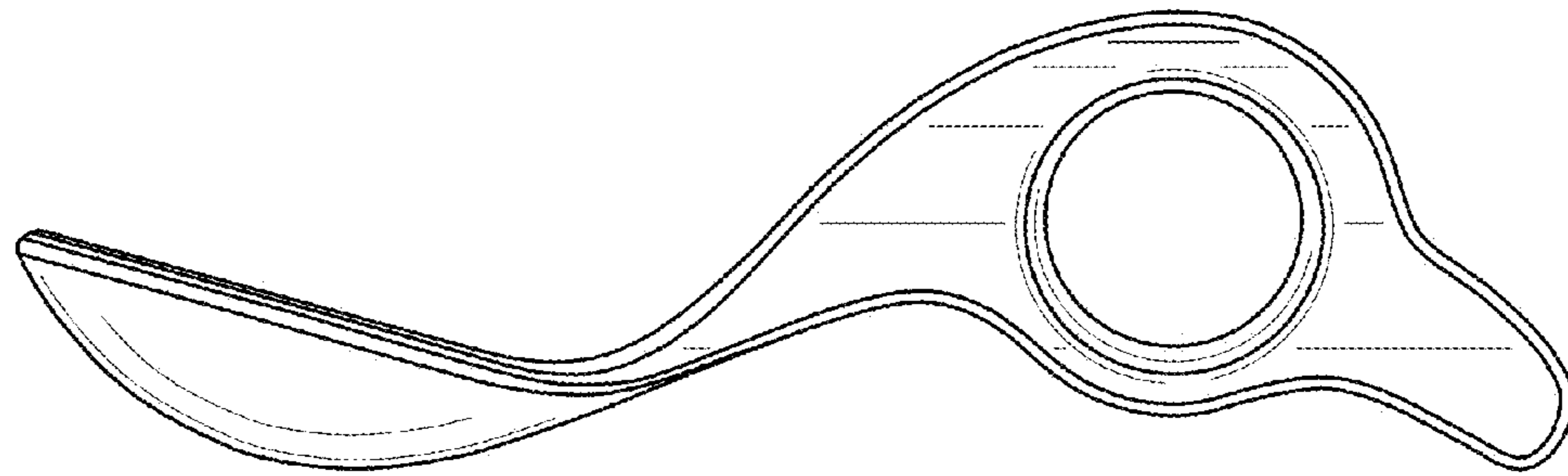


FIG. 3

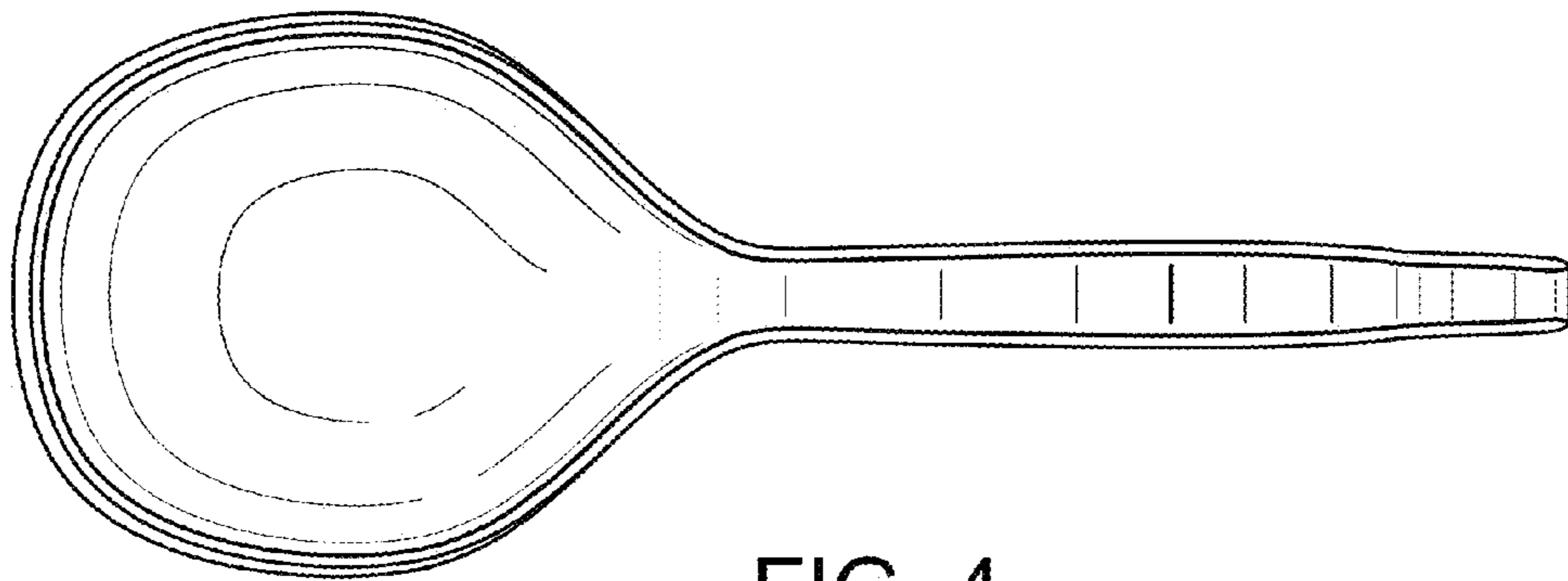


FIG. 4

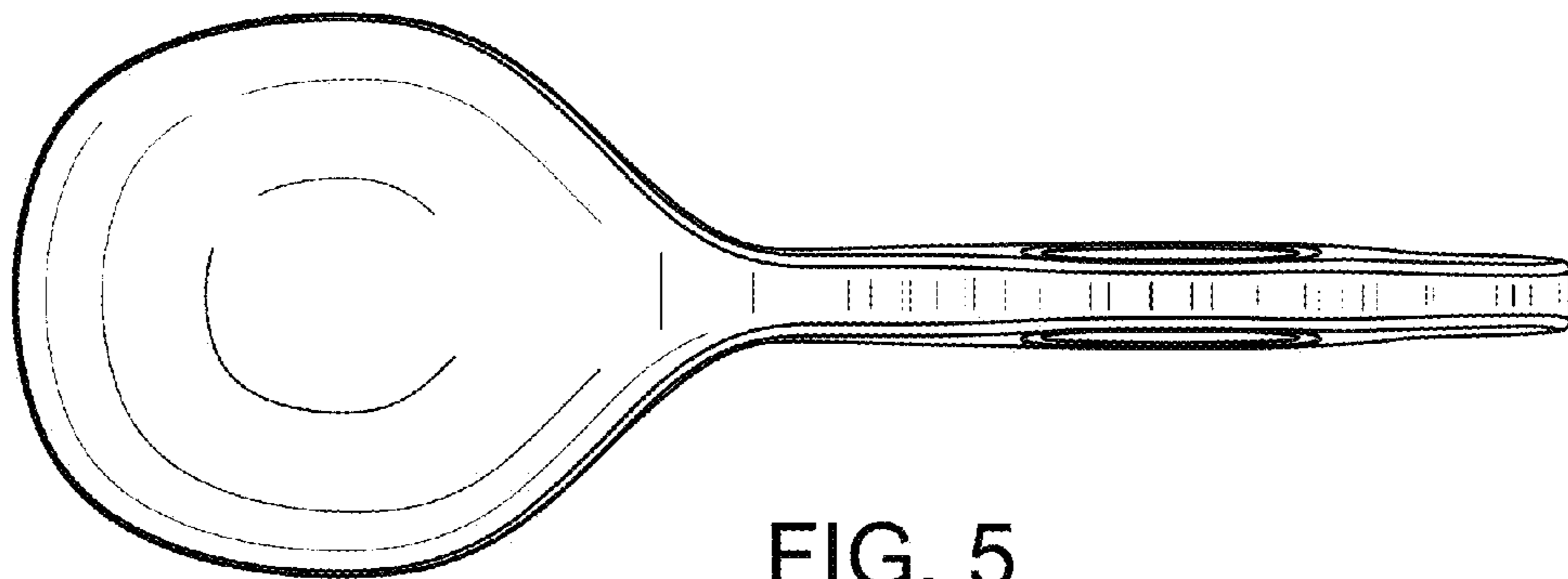


FIG. 5

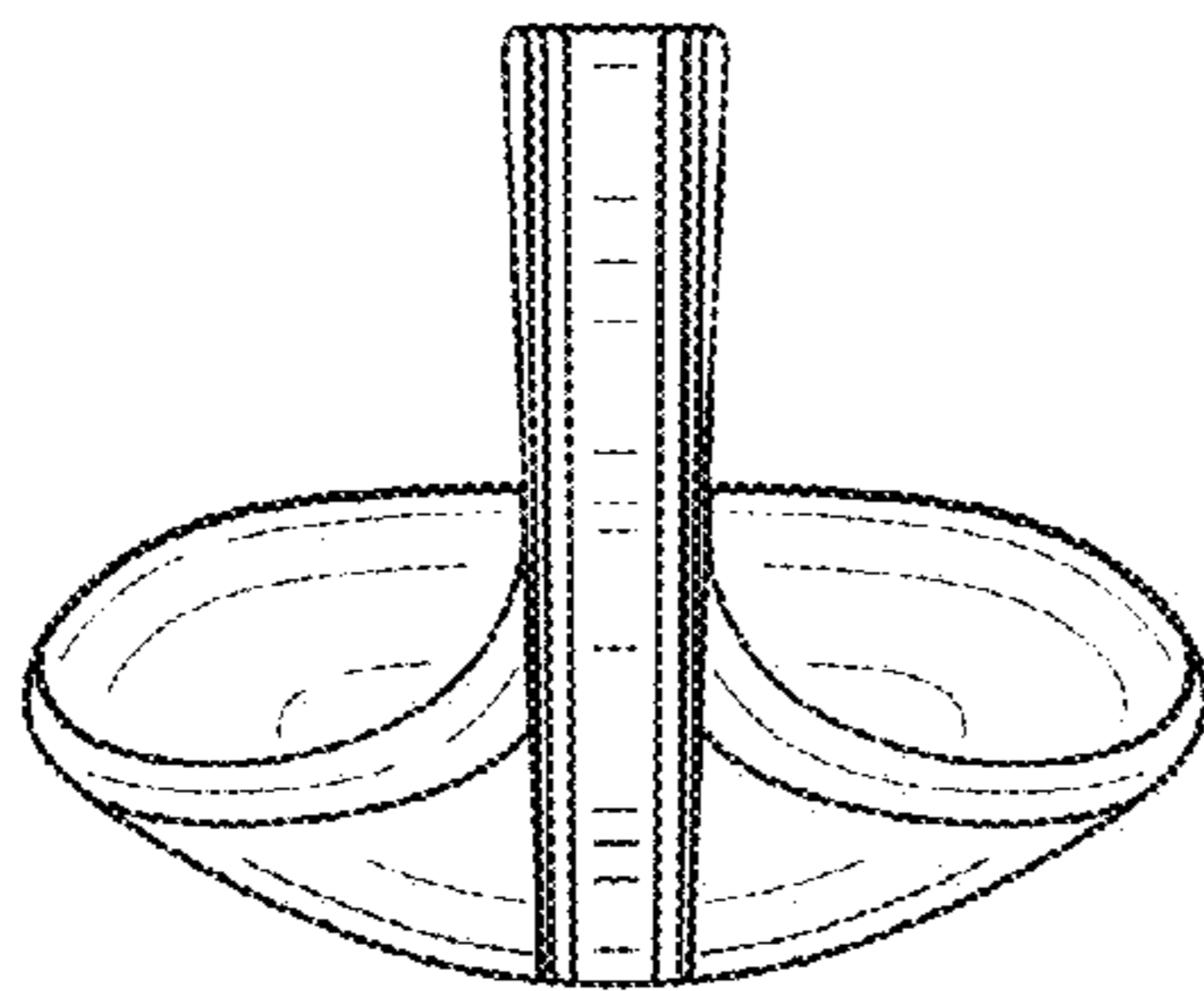


FIG. 6

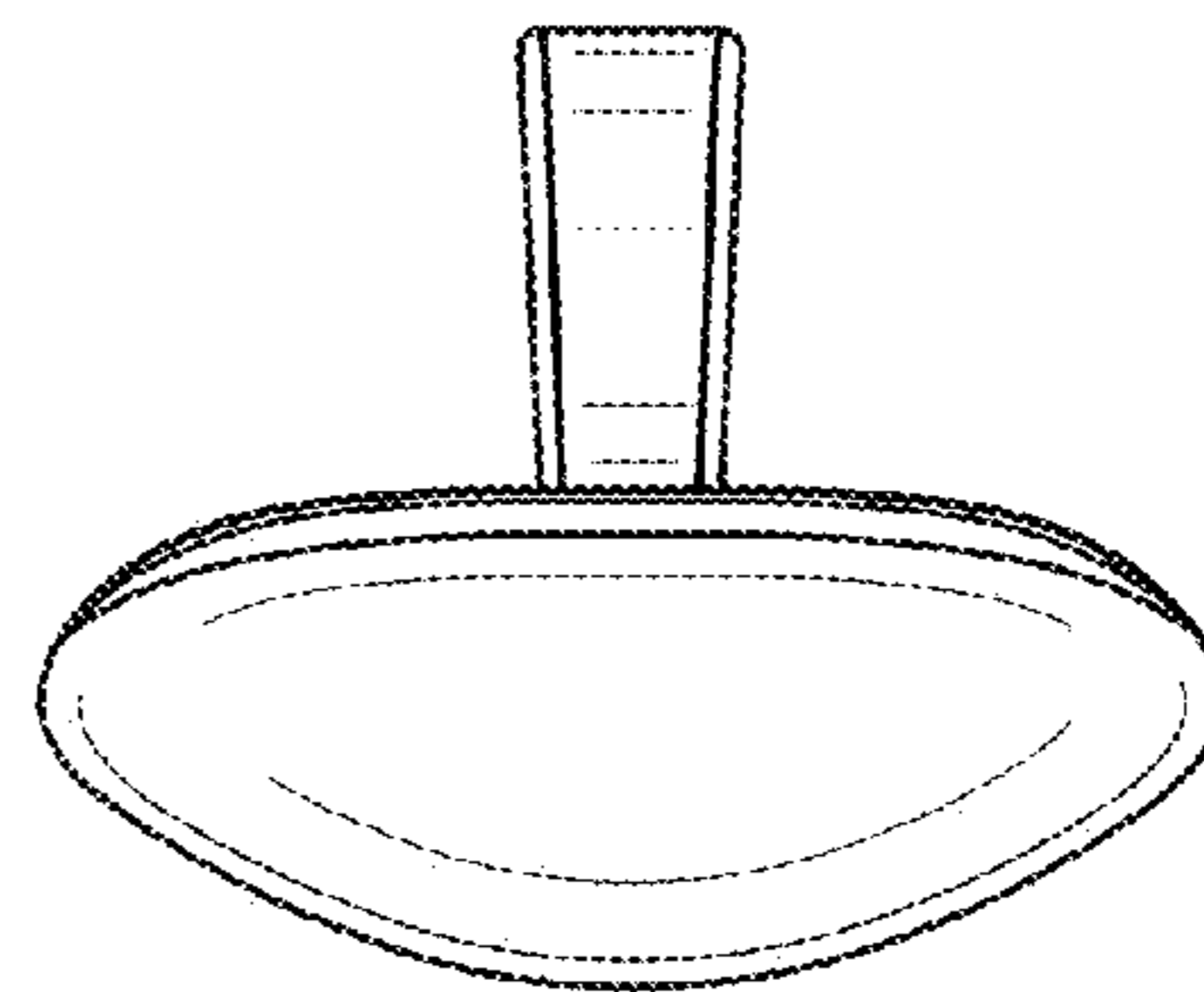


FIG. 7

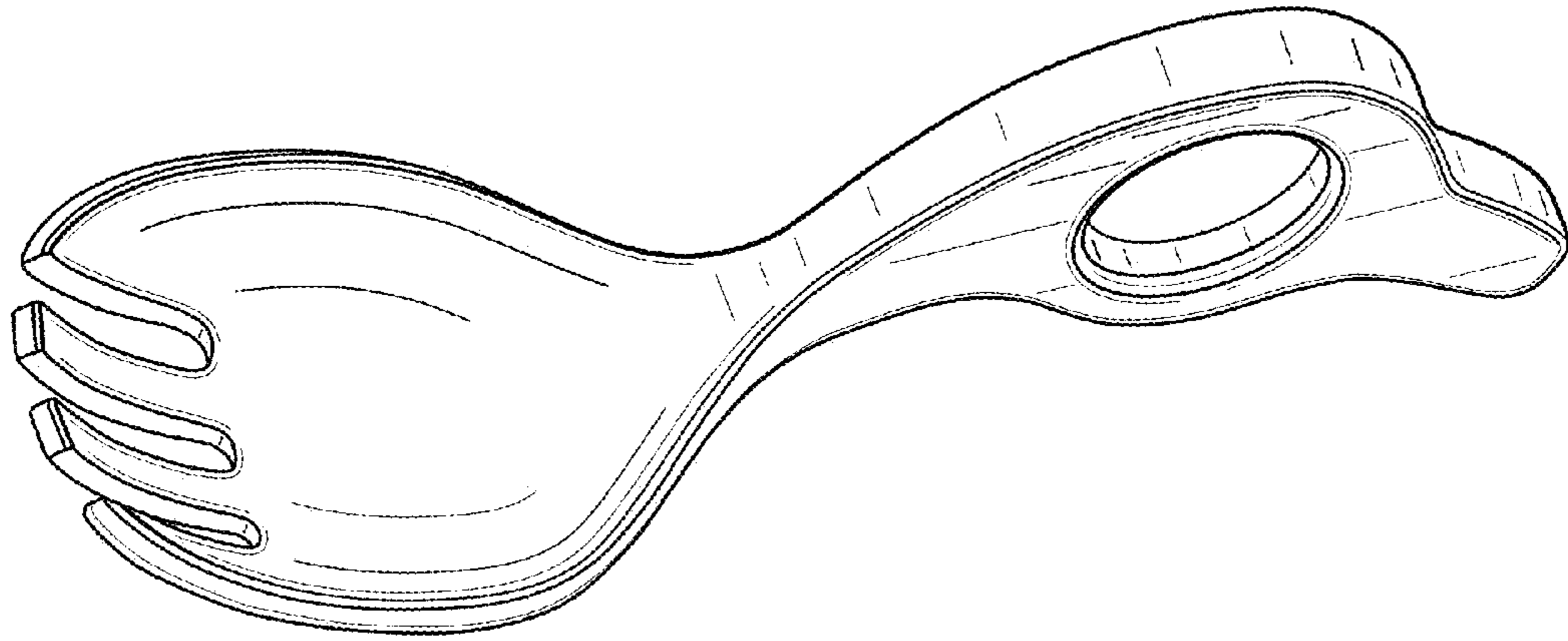


FIG. 8

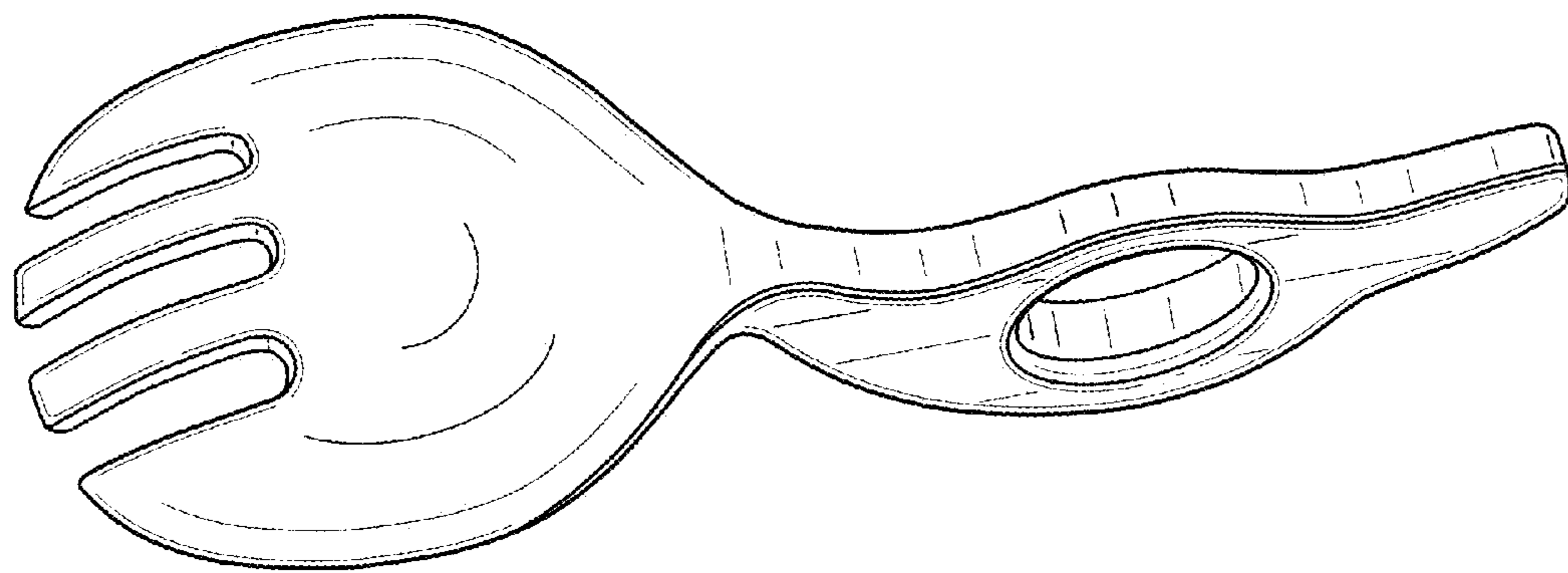


FIG. 9

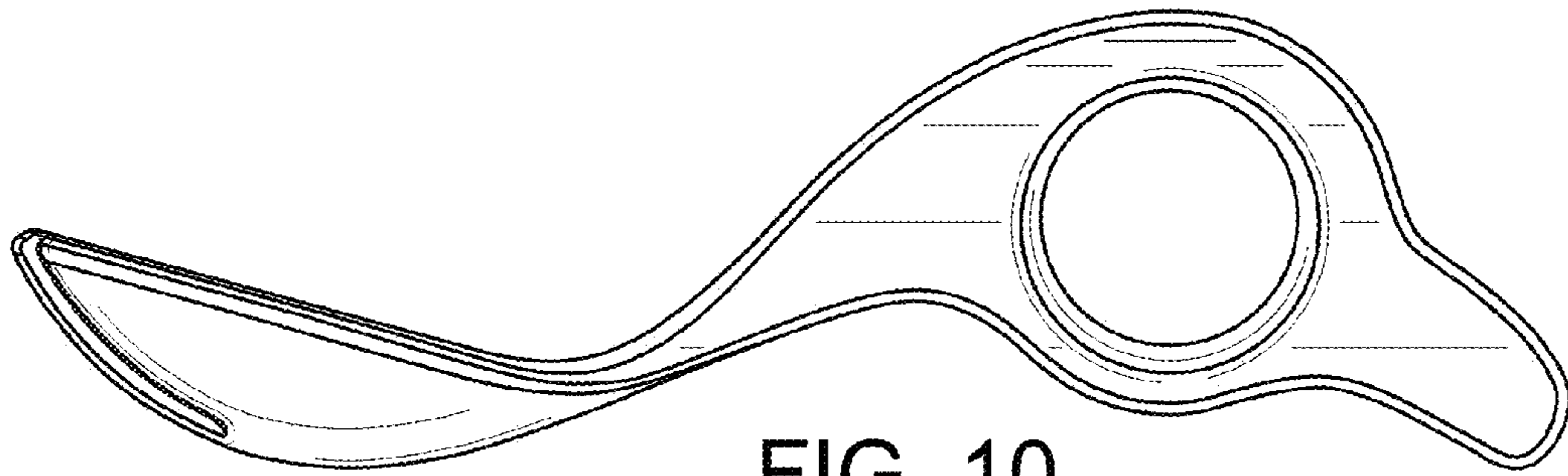


FIG. 10

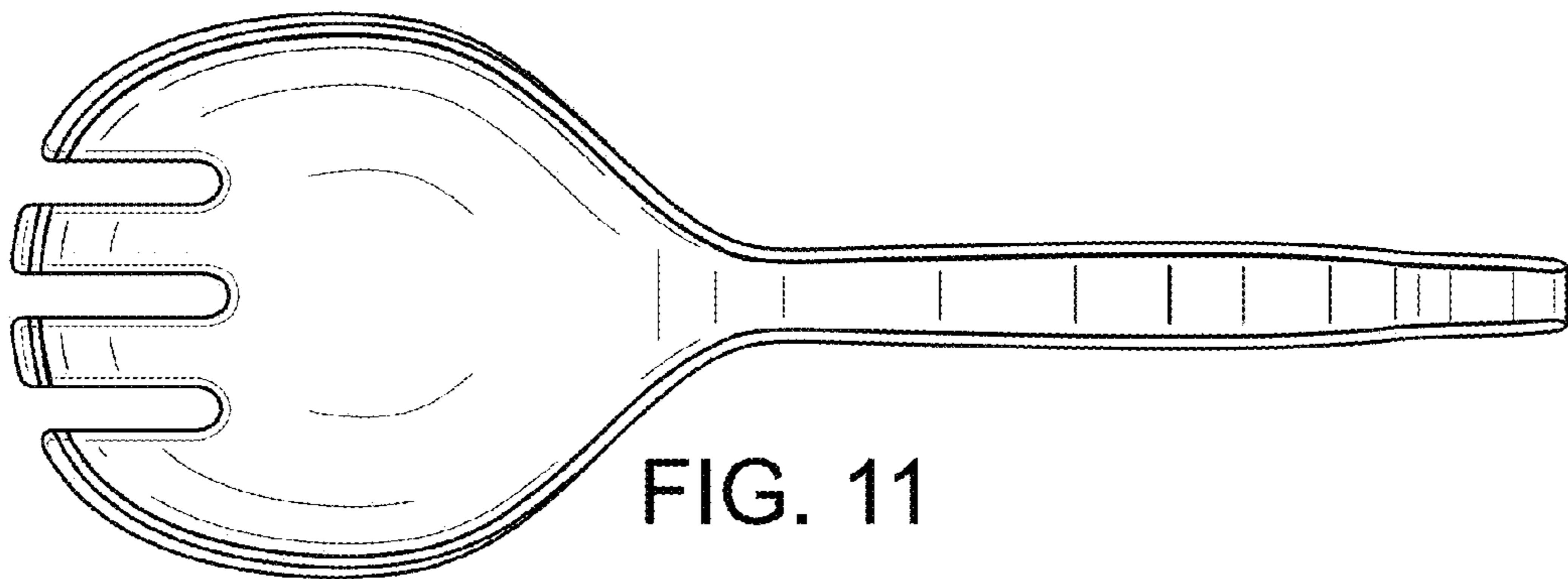


FIG. 11

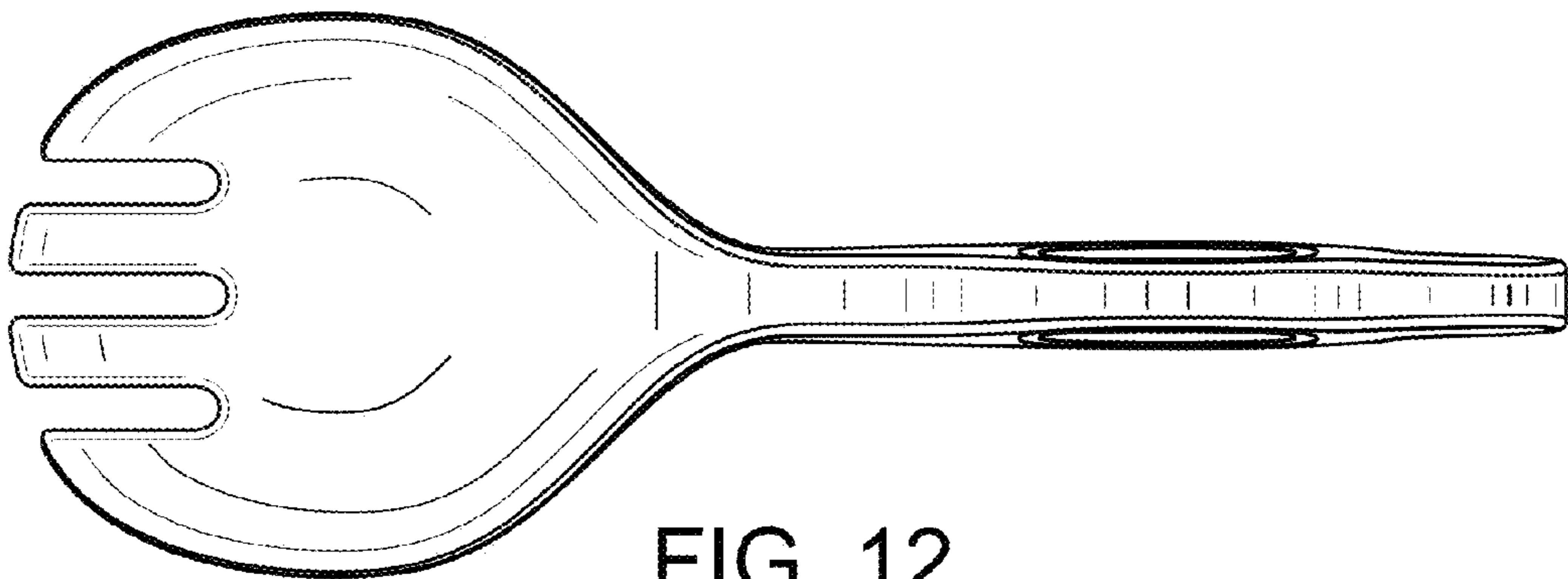


FIG. 12

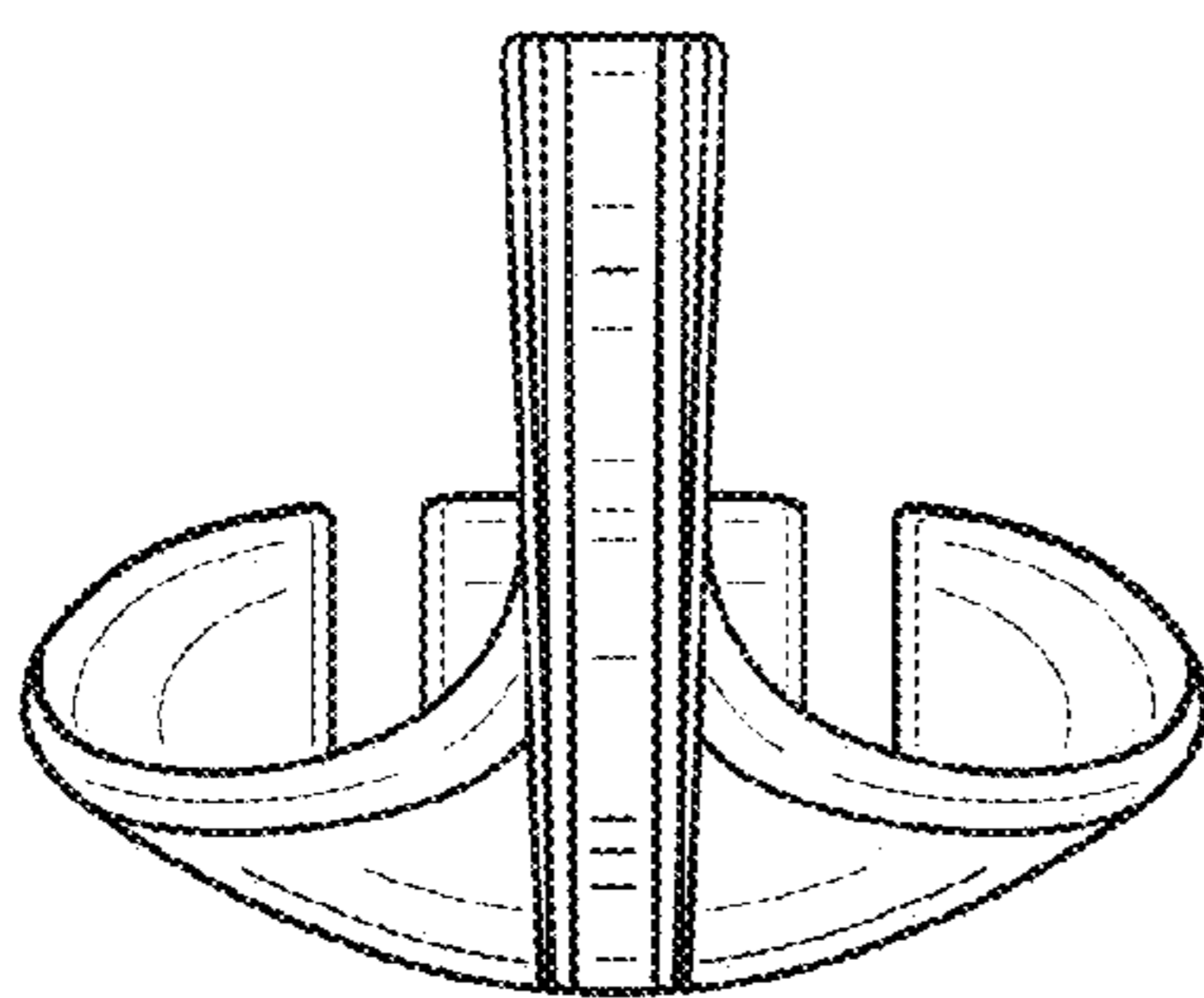


FIG. 13

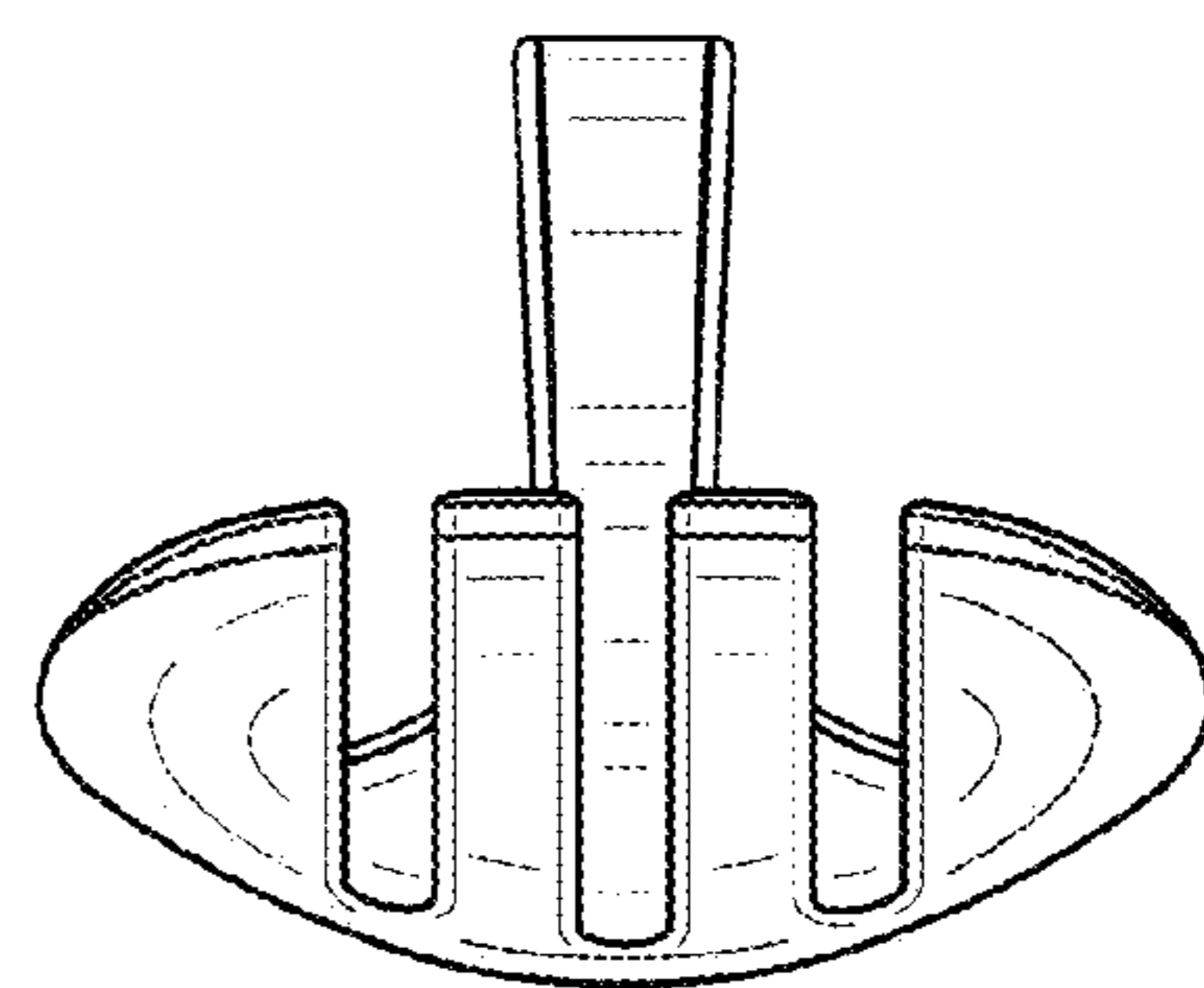


FIG. 14