



US00D724388S

(12) **United States Design Patent**
Smeja

(10) **Patent No.:** **US D724,388 S**
(45) **Date of Patent:** **** Mar. 17, 2015**

- (54) **BEVERAGE CAPSULE TRAY**
- (71) Applicant: **Limitless Innovations, Inc.**, McHenry, IL (US)
- (72) Inventor: **Michael V. Smeja**, Inverness, IL (US)
- (73) Assignee: **Limitless Innovations, Inc.**, McHenry, IL (US)
- (**) Term: **14 Years**
- (21) Appl. No.: **29/493,227**
- (22) Filed: **Jun. 6, 2014**

4,446,982 A	5/1984	Corse	
D283,163 S *	3/1986	Pandya	D24/230
D283,164 S *	3/1986	Pandya	D24/230
4,599,314 A	7/1986	Shami	
D323,447 S *	1/1992	Booz	D7/705
D330,513 S *	10/1992	Gilchrist	D7/703
5,207,150 A	5/1993	Wellman et al.	
D339,869 S *	9/1993	Schea et al.	D24/224
D346,324 S *	4/1994	Warren	D9/456
D351,661 S *	10/1994	Fischer	D24/230
5,508,005 A *	4/1996	Mathus	422/551
D411,308 S *	6/1999	Pandey et al.	D24/230
D450,130 S *	11/2001	Goldstein	D24/227
D484,989 S *	1/2004	Gebrian	D24/230

(Continued)

Primary Examiner — T. Chase Nelson
Assistant Examiner — Mark Cavanna
 (74) *Attorney, Agent, or Firm* — Reed Smith, LLP

Related U.S. Application Data

- (63) Continuation of application No. 29/470,623, filed on Oct. 23, 2013, now Pat. No. Des. 708,763.
- (51) **LOC (10) Cl.** **07-06**
- (52) **U.S. Cl.**
USPC **D7/600.1; D24/229**
- (58) **Field of Classification Search**
USPC D24/185, 216–232, 127–128;
D3/203.1–203.8, 304;
D6/406.1–406.3, 406.6, 457, 682.4;
D9/341, 345, 347, 348, 415, 418, 419,
D9/430, 456, 732; 422/58, 99, 102, 104,
422/297, 400, 560–564, 509, 521.1, 551;
206/461–471, 526, 528, 531, 534–539,
206/521.1; D7/701–708, 357, 600.1–600.4,
D7/601, 590
See application file for complete search history.

(57) **CLAIM**

The ornamental design for the beverage capsule tray, as shown and described.

DESCRIPTION

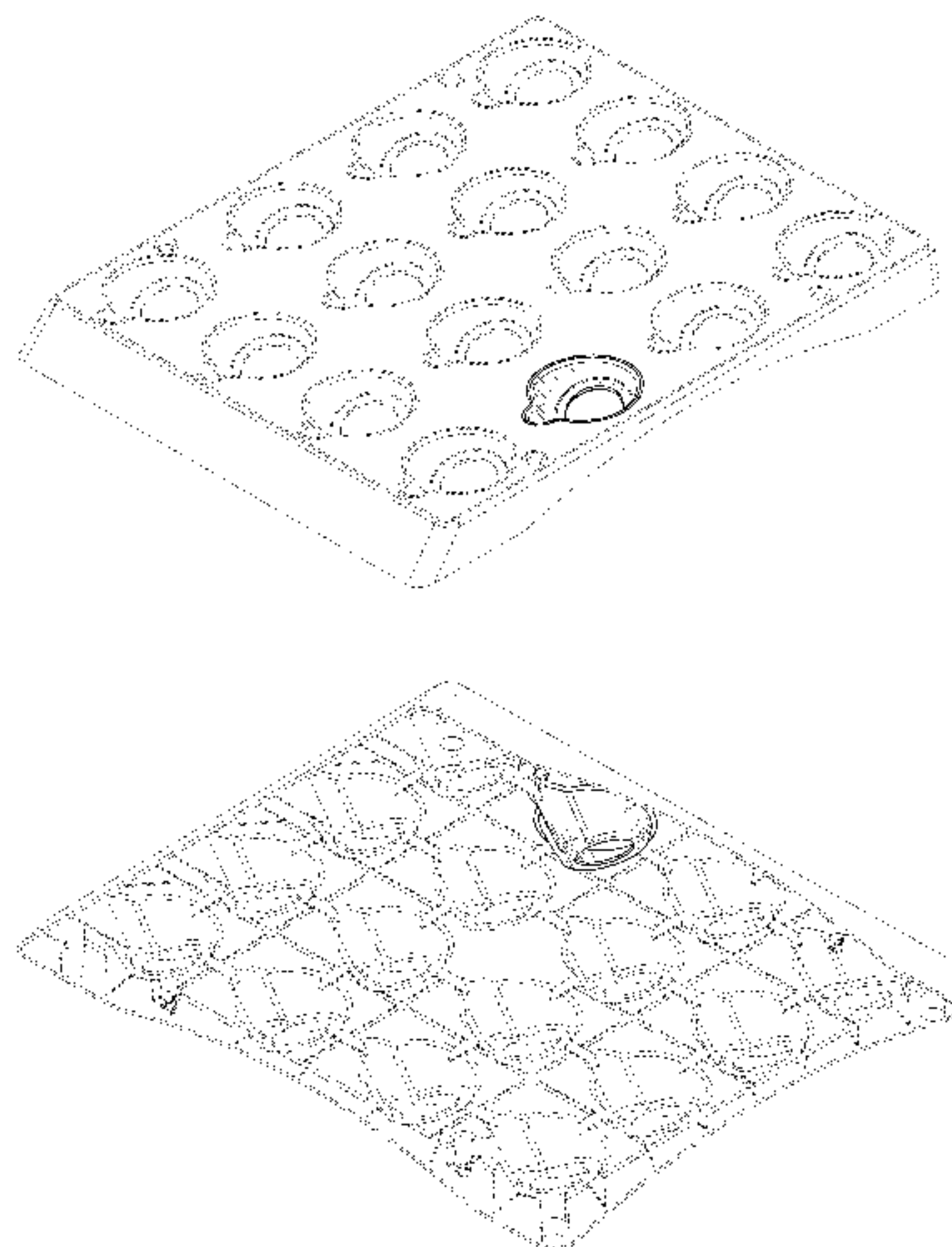
FIG. 1 is a top perspective view of the beverage capsule tray according to an embodiment of the present invention;
 FIG. 2 is a bottom perspective view thereof;
 FIG. 3 is a first side view thereof;
 FIG. 4 is a second side view thereof;
 FIG. 5 is a first end view thereof;
 FIG. 6 is a second end view thereof;
 FIG. 7 is a top plan view thereof;
 FIG. 8 is a bottom plan view thereof;
 FIG. 9 is a top perspective view of the beverage capsule tray according to another embodiment of the present invention;
 FIG. 10 is bottom perspective view of the beverage capsule tray shown in FIG. 9; and,
 FIG. 11 is a side view of the beverage capsule tray shown in FIG. 9.
 The broken lines in the drawings illustrate the portions of the design that form no part of the claim.

(56) **References Cited**

U.S. PATENT DOCUMENTS

D192,672 S *	4/1962	Jenkins	D24/230
3,908,877 A	9/1975	Kosisky	
D249,706 S *	9/1978	Adamski	D24/230
D268,130 S *	3/1983	Easton	D24/230
D269,935 S *	8/1983	Powers	D7/357

1 Claim, 8 Drawing Sheets



(56)

References Cited

U.S. PATENT DOCUMENTS

D590,183 S *	4/2009	Hensel	D6/457	D686,463 S *	7/2013	Rones	D7/600.1
D624,795 S *	10/2010	Koeleman	D7/706	D695,078 S *	12/2013	Hertaus	D7/600.1
D650,636 S *	12/2011	Roth	D7/600.1	D695,134 S *	12/2013	Priebe et al.	D9/732
D653,767 S *	2/2012	Lovshe	D24/230	D699,085 S *	2/2014	Reid, Jr.	D7/701
D656,363 S *	3/2012	Tiemann et al.	D7/601	D703,004 S *	4/2014	Tsai	D7/600.1
D661,950 S *	6/2012	Greenwood	D7/590	D705,618 S *	5/2014	Reid, Jr.	D7/701
D680,382 S *	4/2013	Tiemann	D7/600.2	D709,718 S *	7/2014	Snyder	D6/682.4
D684,276 S *	6/2013	Hudson et al.	D24/226	D712,205 S *	9/2014	Yoder et al.	D7/600.1
				2011/0226656 A1 *	9/2011	Archambault et al.	206/521.1
				2012/0298604 A1	11/2012	Fuhrer et al.	
				2012/0313496 A1	12/2012	Marshall et al.	

* cited by examiner

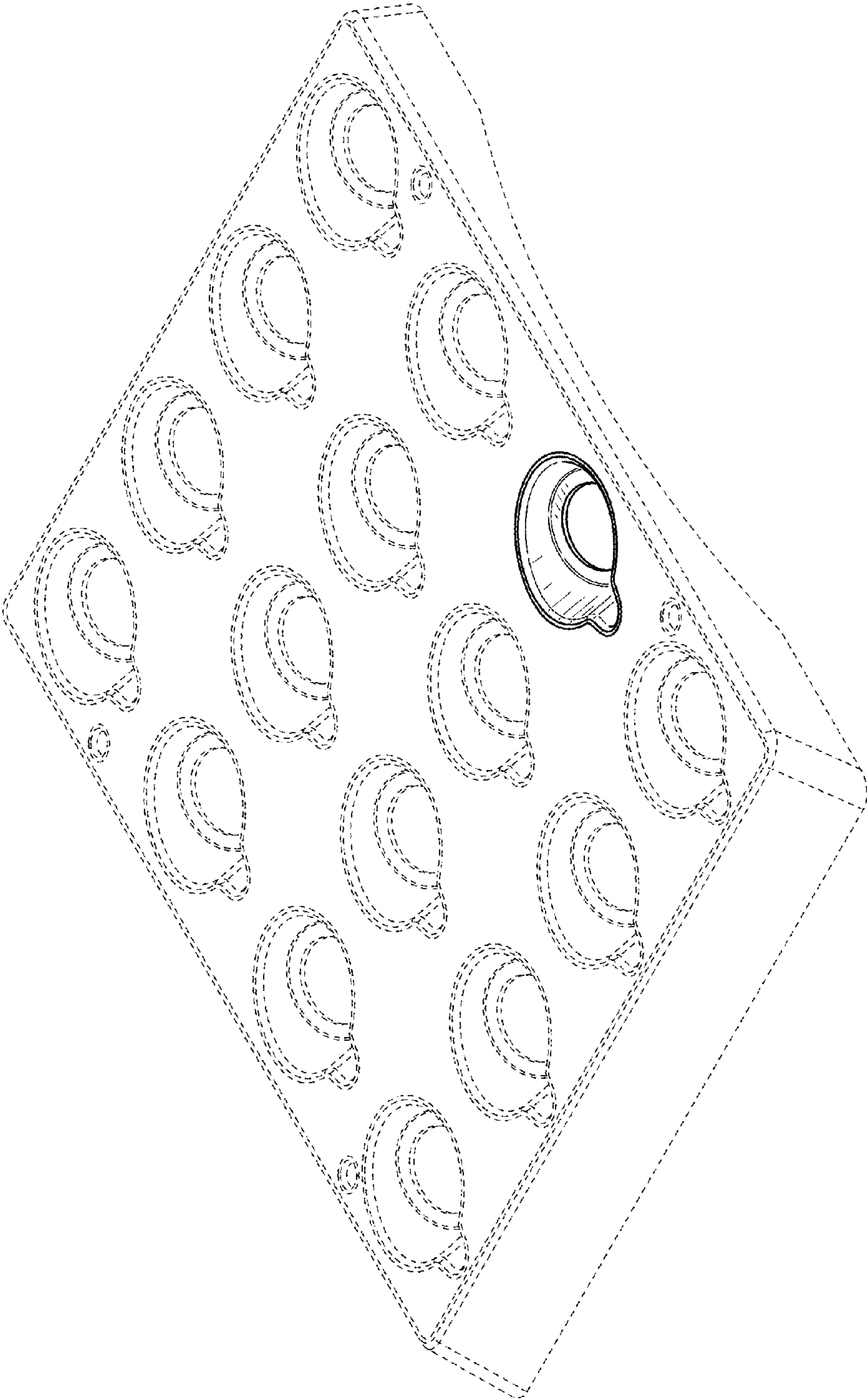


FIG. 1

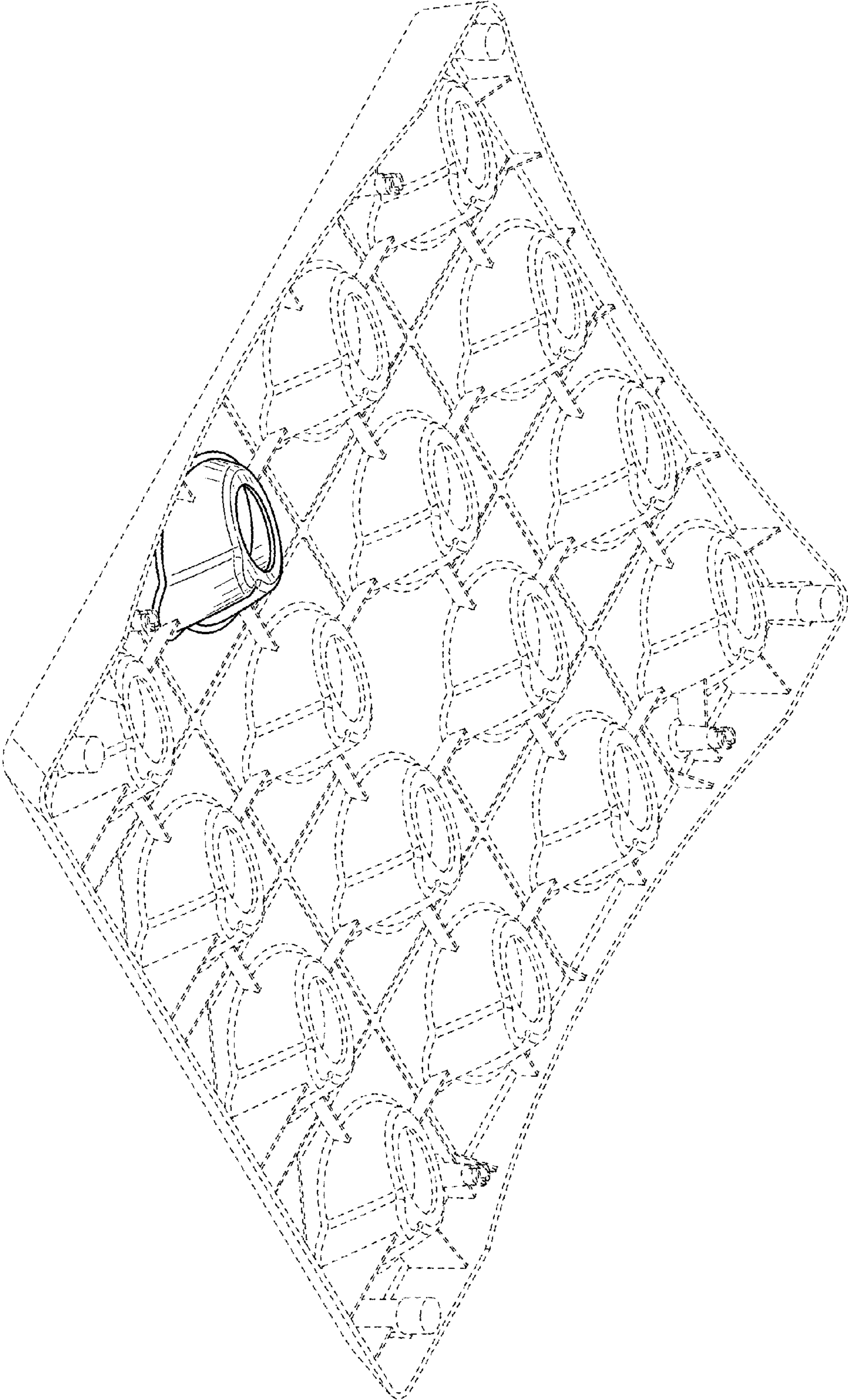


FIG. 2

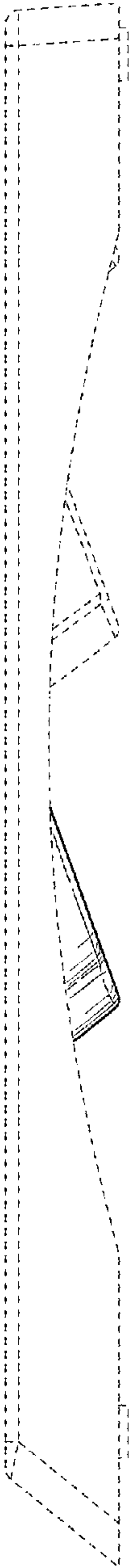


FIG. 3

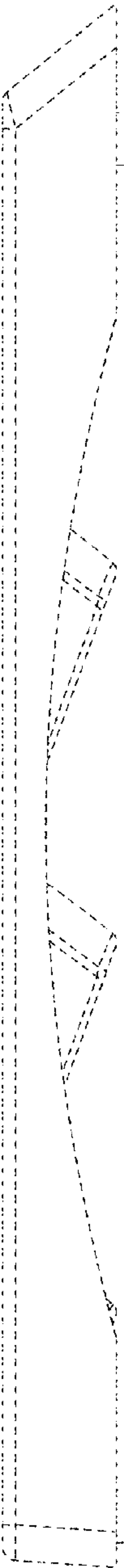


FIG. 4

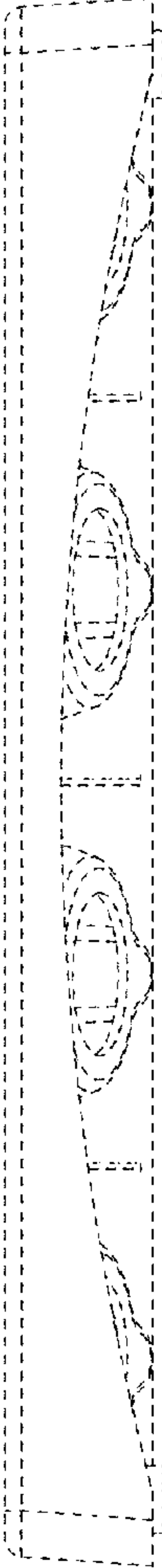


FIG. 5



FIG. 6

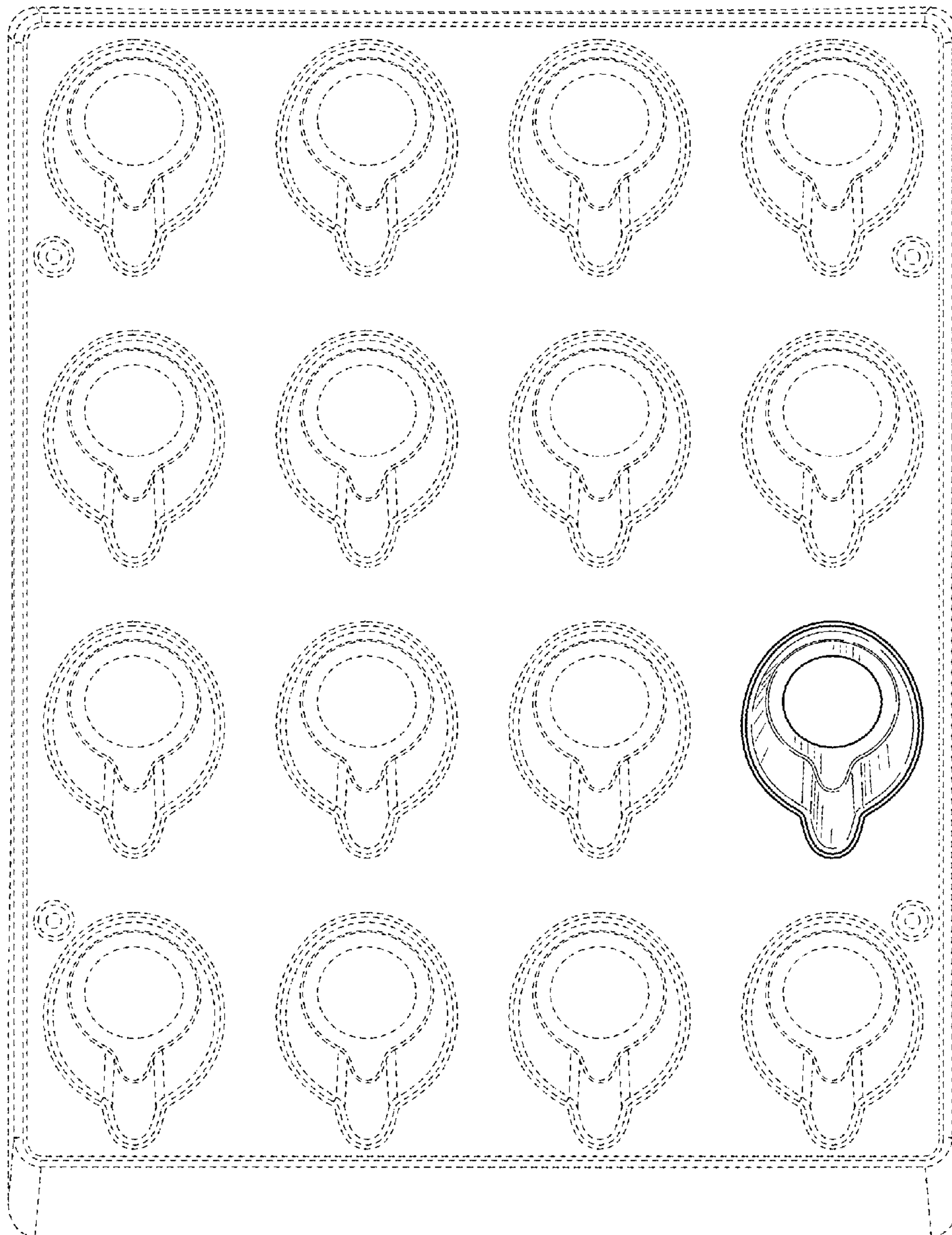


FIG. 7

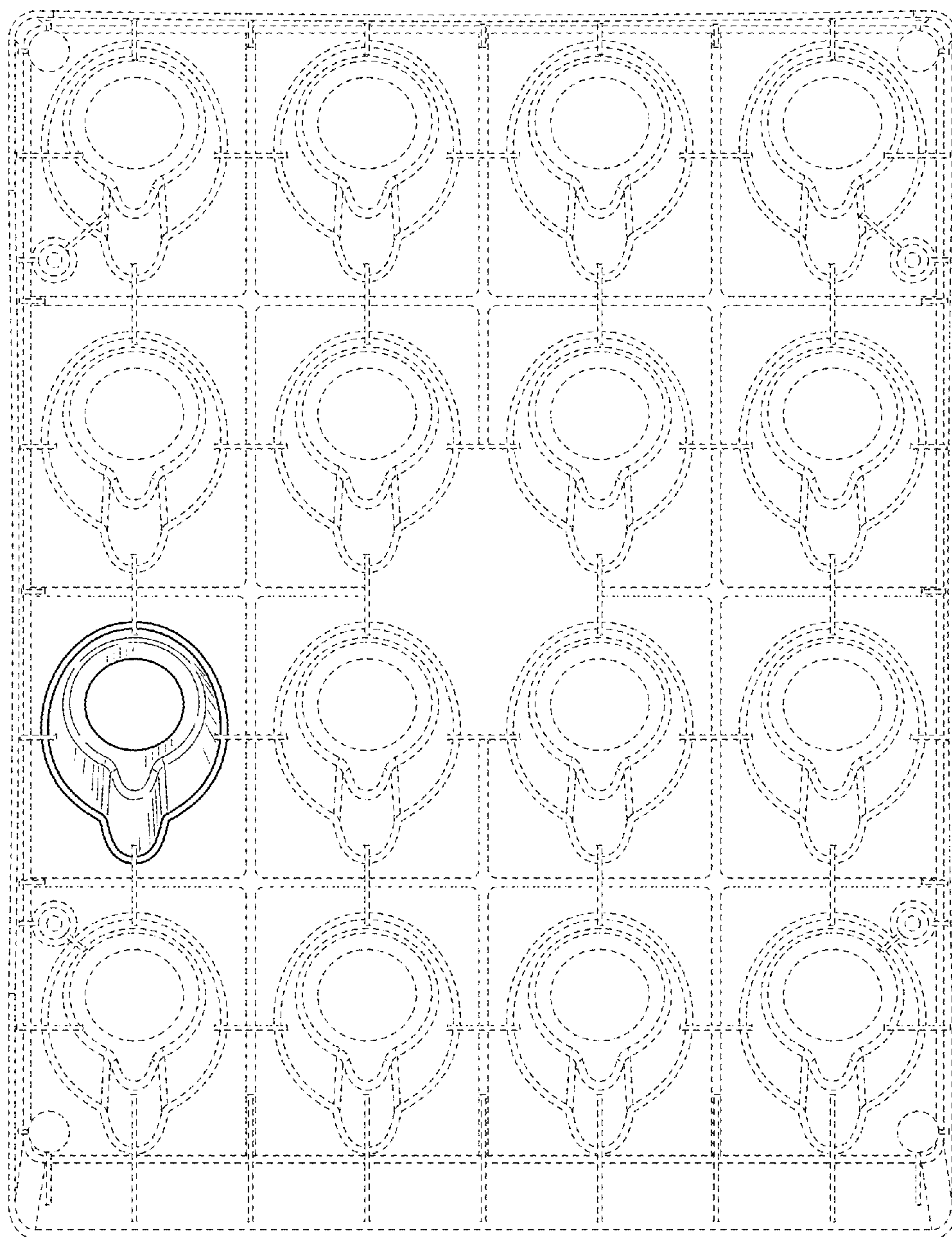


FIG. 8

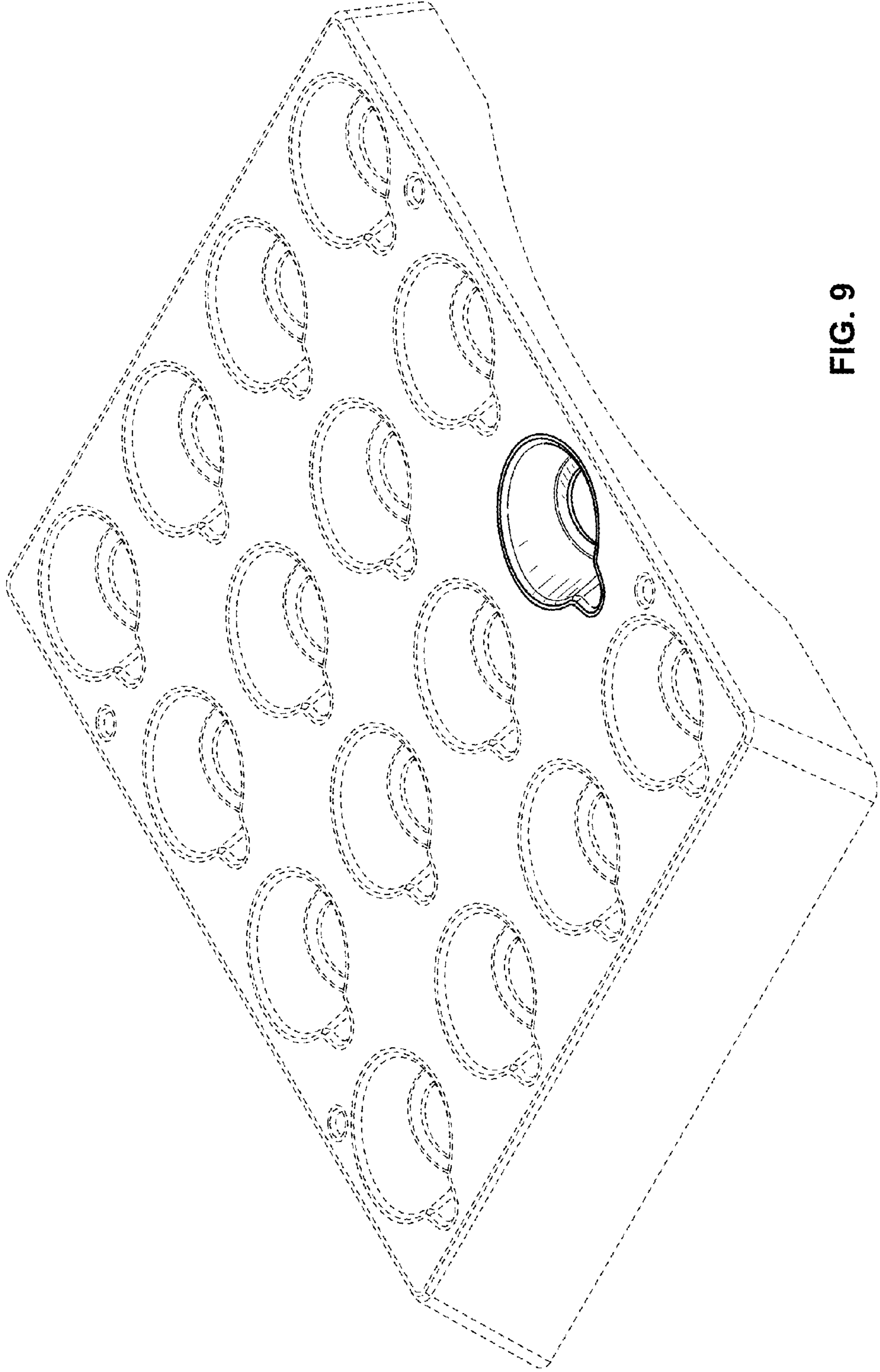


FIG. 9

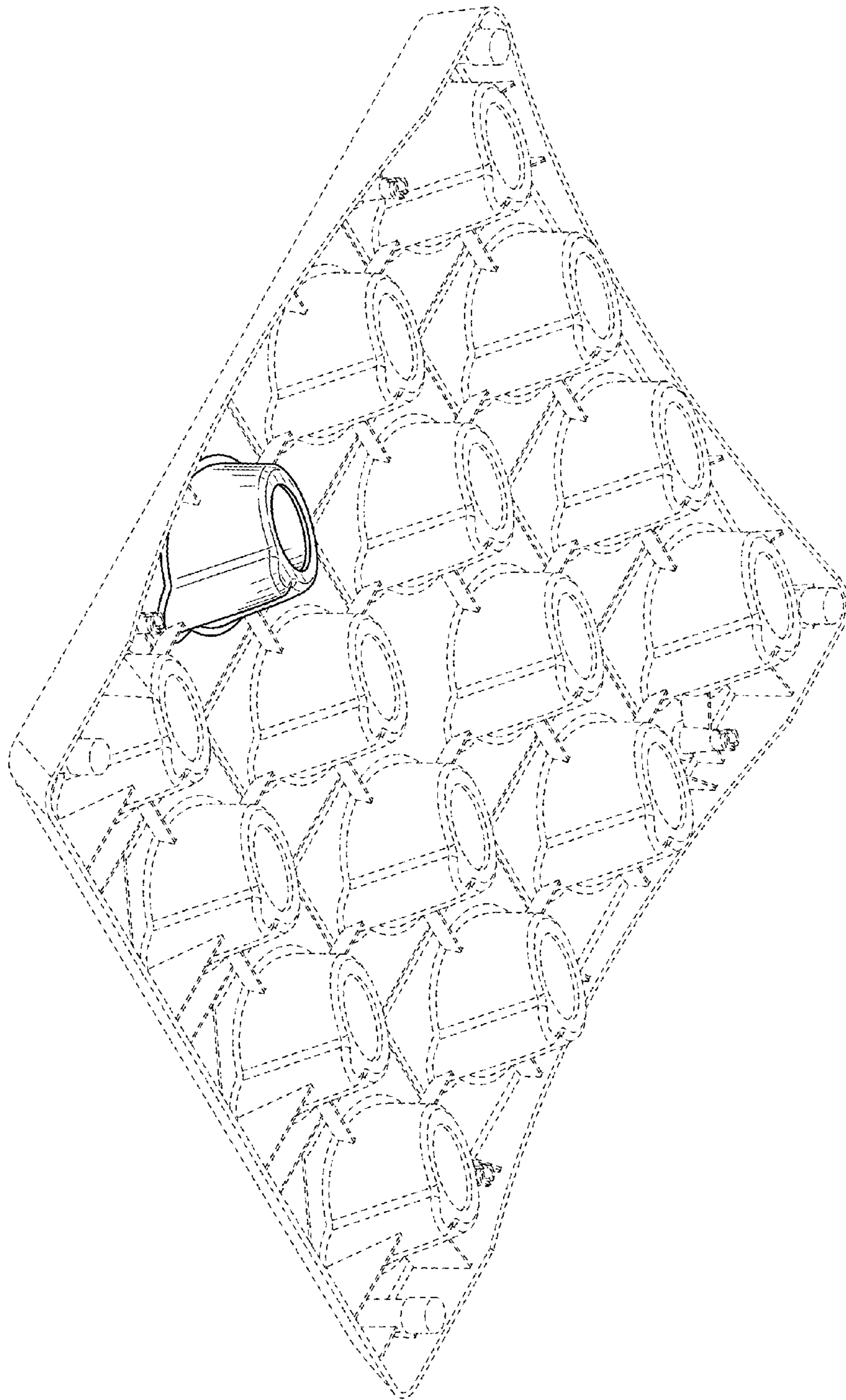


FIG. 10



FIG. 11