



US00D724380S

(12) **United States Design Patent**  
**Hojo**

(10) **Patent No.:** **US D724,380 S**  
(45) **Date of Patent:** **\*\* Mar. 17, 2015**

(54) **LIQUID CONTAINER**

FOREIGN PATENT DOCUMENTS

(71) Applicant: **Masaru Hojo**, Tokyo (JP)

JP H06-312734 11/1994  
JP 2010-275012 12/2010

(72) Inventor: **Masaru Hojo**, Tokyo (JP)

\* cited by examiner

(\*\*) Term: **14 Years**

*Primary Examiner* — Susan Bennett Hattan

*Assistant Examiner* — Brett Miller

(21) Appl. No.: **29/443,911**

(74) *Attorney, Agent, or Firm* — Roylance, Abrams, Berdo & Goodman, L.L.P.

(22) Filed: **Jan. 24, 2013**

(57) **CLAIM**

(51) **LOC (10) Cl.** ..... **07-01**

The ornamental design for a liquid container, as shown and described.

(52) **U.S. Cl.**

**DESCRIPTION**

USPC ..... **D7/396.2**

(58) **Field of Classification Search**

CPC ..... A47G 19/2205; A47G 19/2266–19/2272

USPC ..... D7/509–511, 523, 529–536, 392.1,

D7/396.2; 220/703–710; 215/387, 388;

D9/525, 503, 435, 440, 445, 447, 449,

D9/450

See application file for complete search history.

FIG. 1 is a front elevation view of a liquid container showing my new design, the details shown in broken lines form no part of the claimed design.

FIG. 2 is a plan view thereof.

FIG. 3 is a bottom view thereof.

FIG. 4 is a left side elevation view thereof.

FIG. 5 is a right side elevation view thereof.

FIG. 6 is a front elevation view thereof showing cap element is opened.

FIG. 7 is a plain view thereof showing cap element is opened.

FIG. 8 is a left side view thereof showing cap element is opened.

FIG. 9 is a right side view thereof showing cap element is opened.

FIG. 10 is an enlarged detail view according to detail 10 in FIG. 7; and,

FIG. 11 is a front elevation view thereof showing the band element removed.

The dash dot broken lines represent the boundaries of details and form no part of the claimed design.

The even length dash broken lines depict portions of the article and form no part of the claimed design.

(56) **References Cited**

U.S. PATENT DOCUMENTS

3,424,218	A	1/1969	Vanderbur et al.	
D358,530	S *	5/1995	Mehra et al. ....	D7/510
5,562,221	A	10/1996	Beniacar	
D403,592	S *	1/1999	Everard et al. ....	D9/449
6,293,226	B1 *	9/2001	Hwang .....	215/306
D530,200	S *	10/2006	Kingsley .....	D7/392.1
D625,561	S *	10/2010	Ablo .....	D7/511
D682,017	S *	5/2013	Smiedt et al. ....	D7/392.1
D694,587	S *	12/2013	Slocumb et al. ....	D7/590
D714,154	S *	9/2014	Keeler .....	D9/535
2004/0217139	A1 *	11/2004	Roth et al. ....	215/387
2007/0114202	A1 *	5/2007	Lee .....	215/388
2007/0163986	A1 *	7/2007	Cho .....	215/388
2007/0199914	A1 *	8/2007	Hung .....	215/387
2008/0087624	A1 *	4/2008	Buckley .....	215/230

**1 Claim, 7 Drawing Sheets**

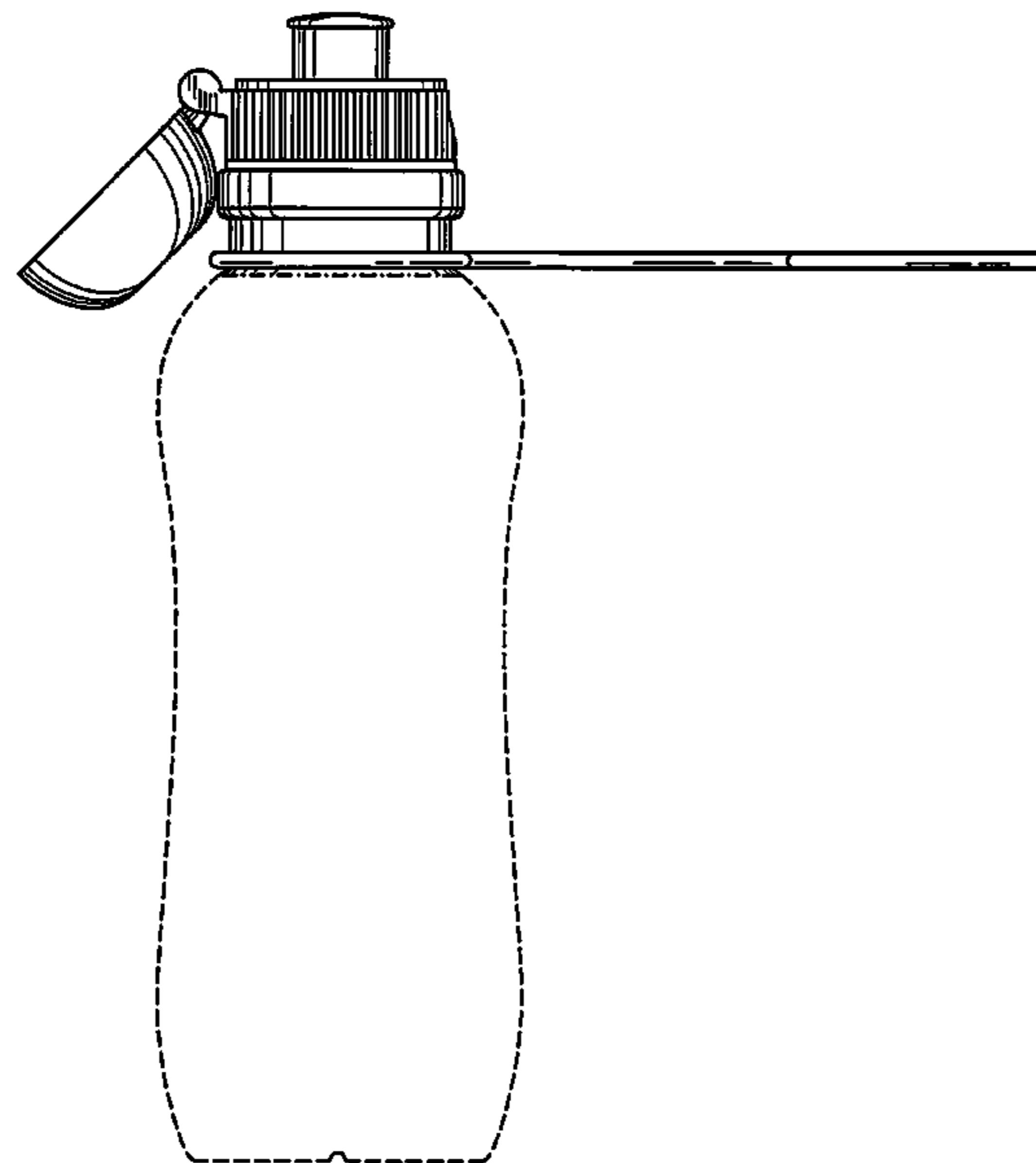


FIG. 1

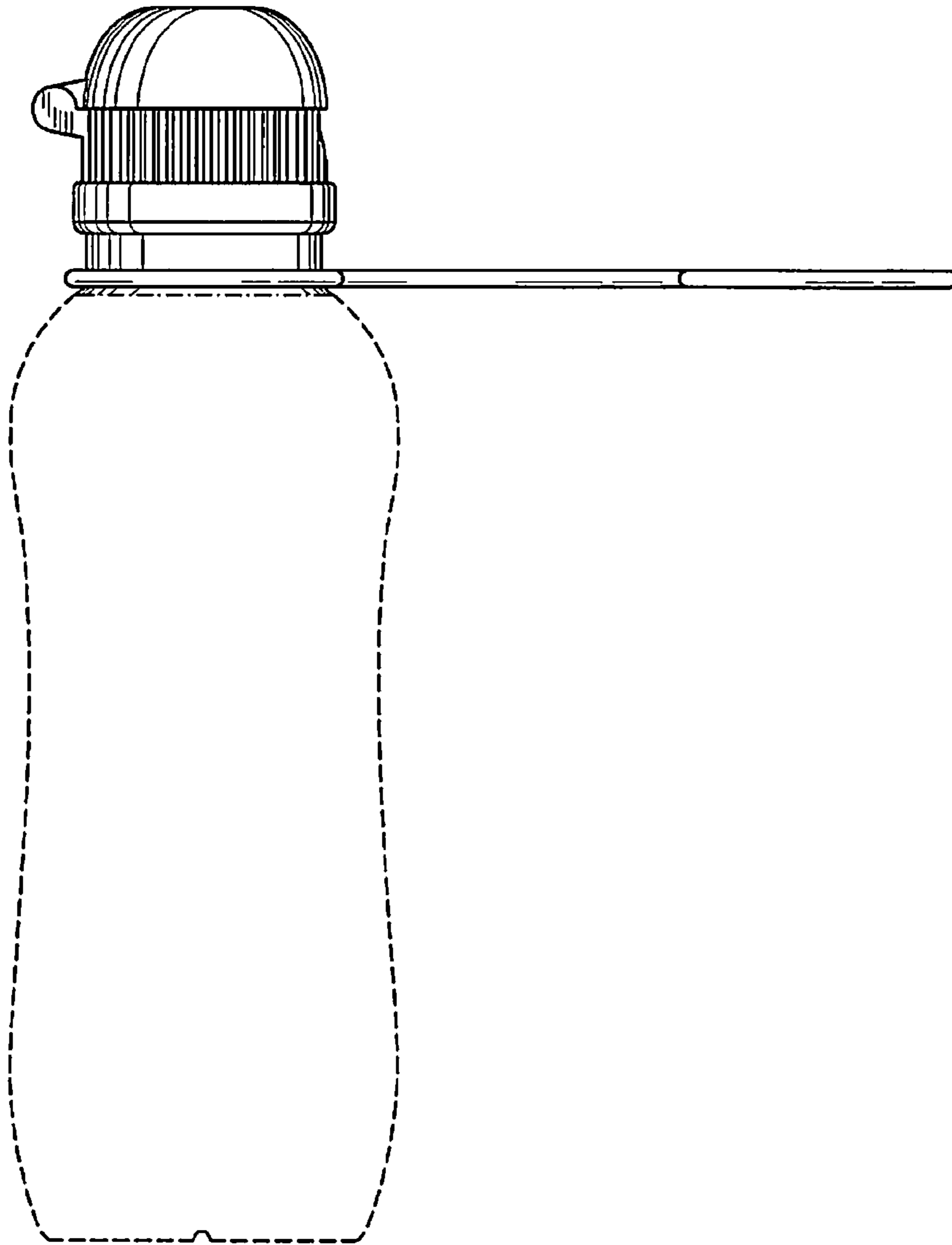


FIG. 2

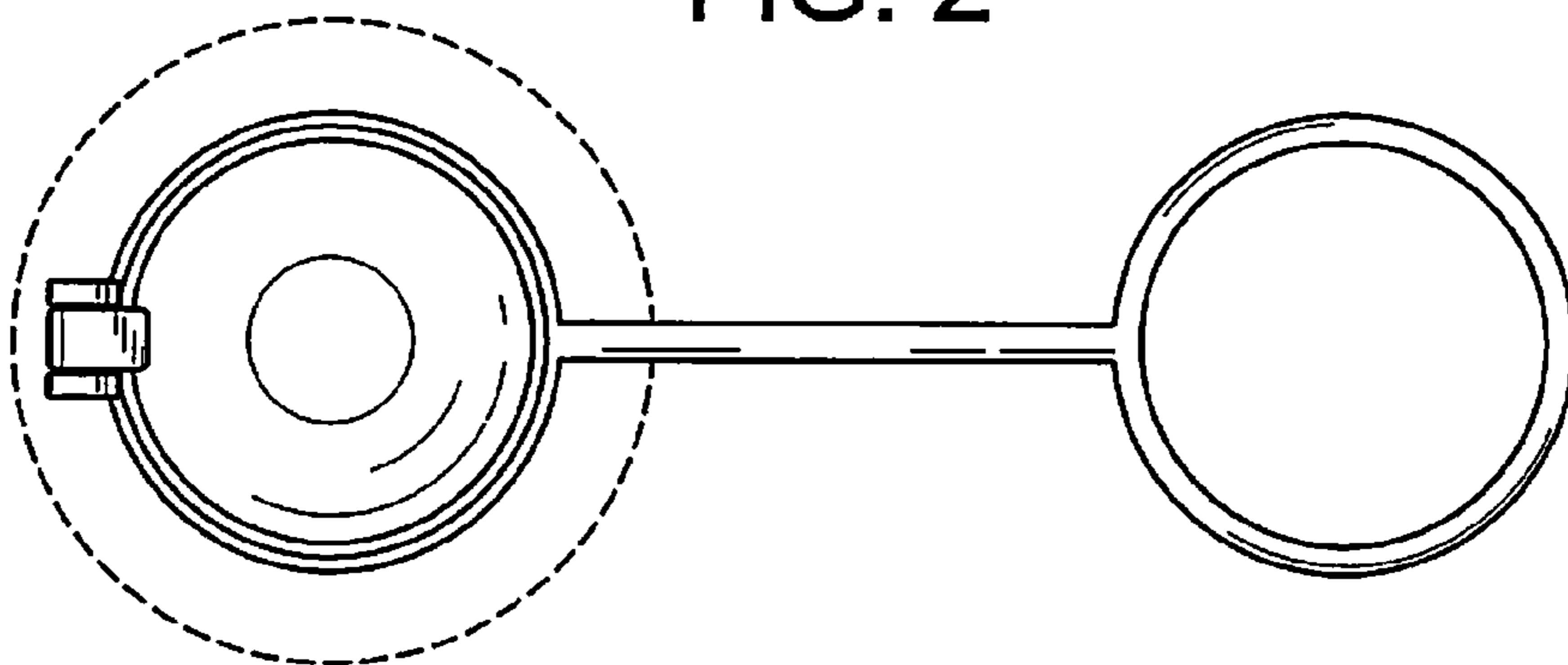


FIG. 3

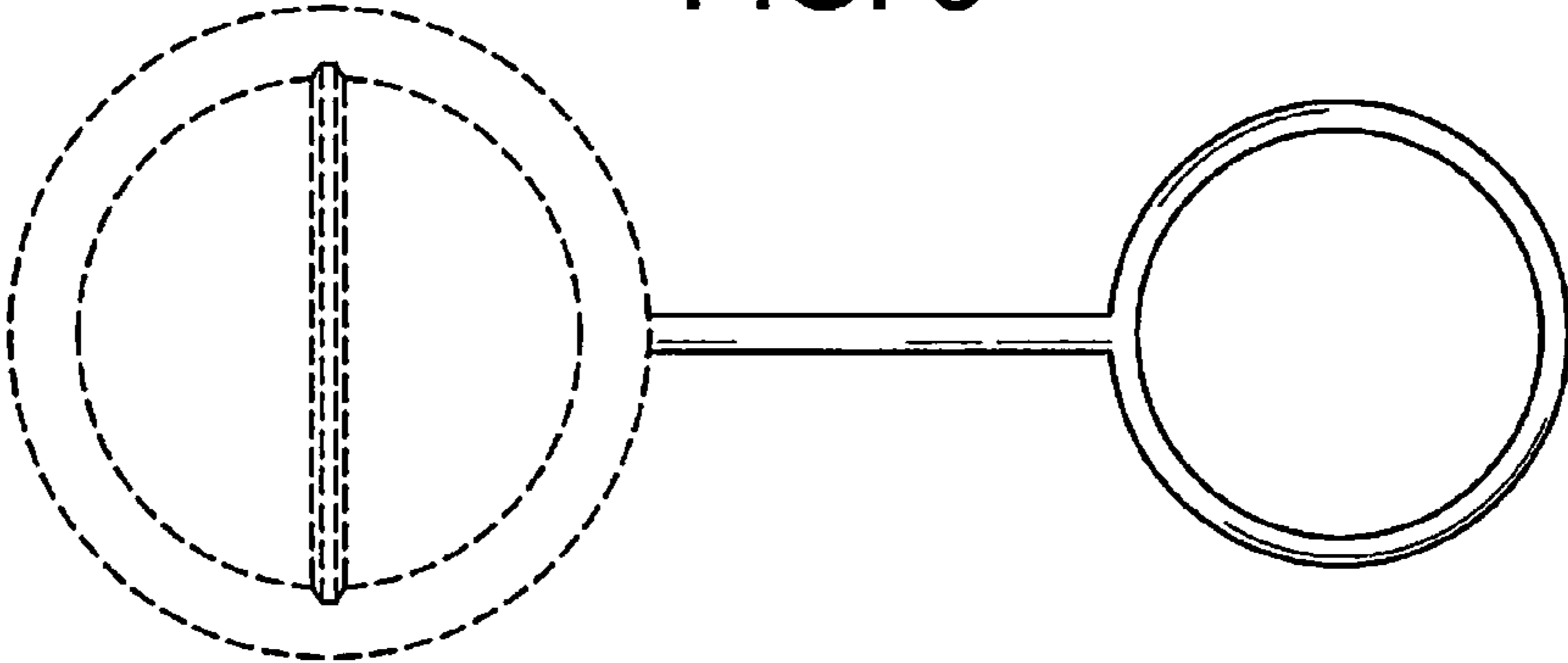


FIG. 4

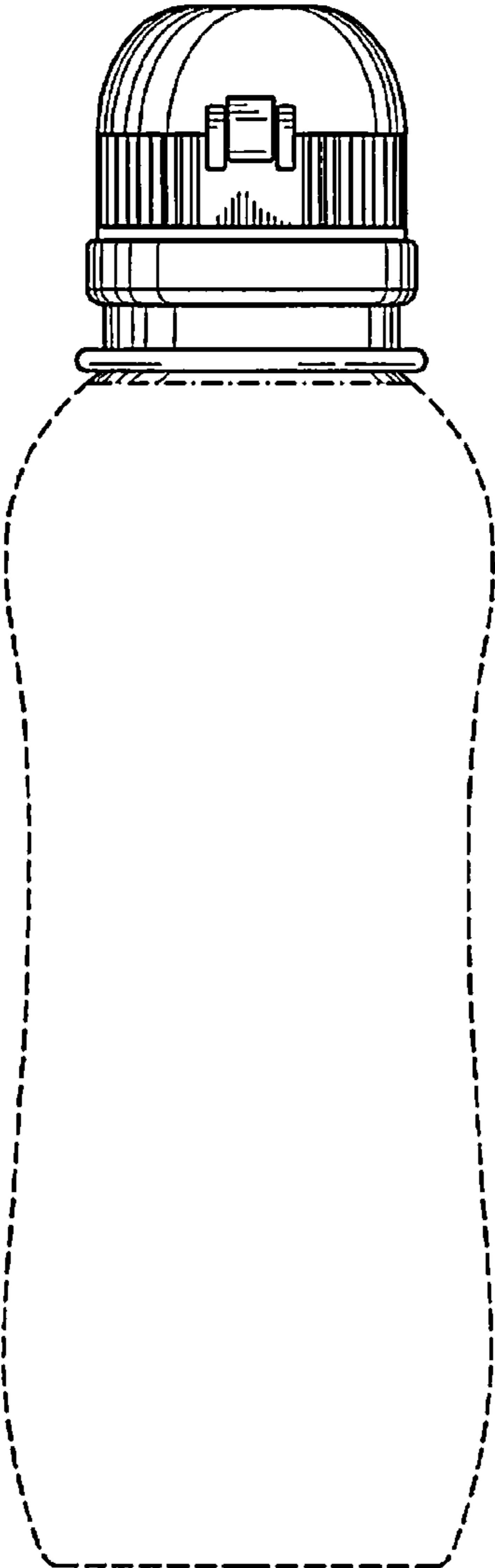


FIG. 5

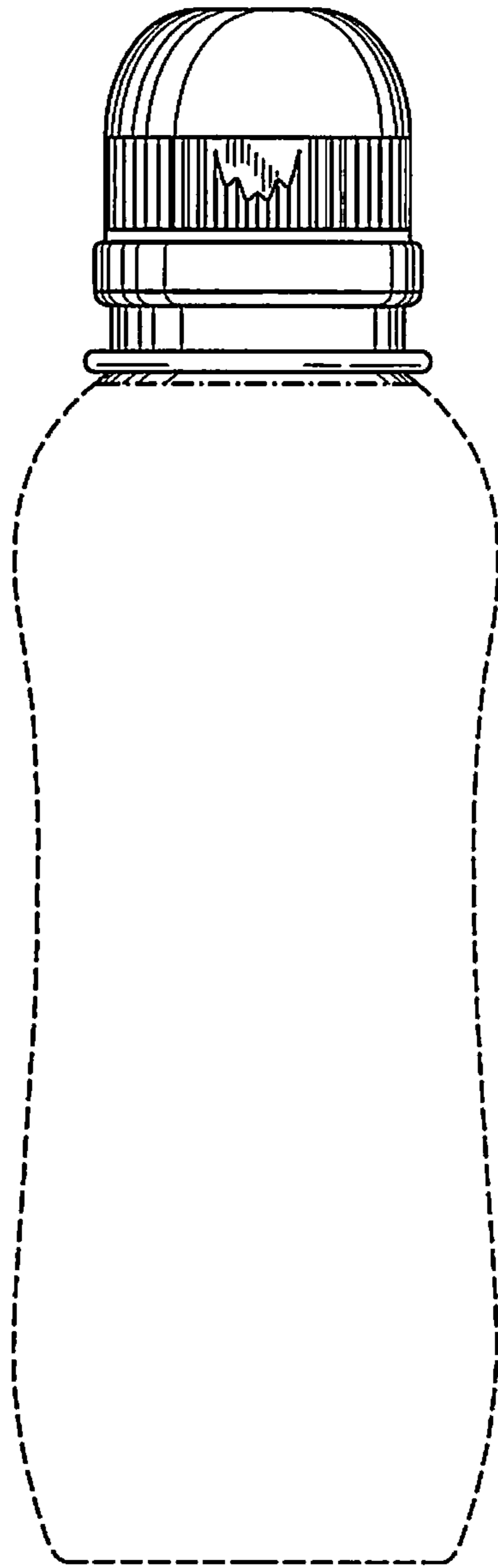


FIG. 6

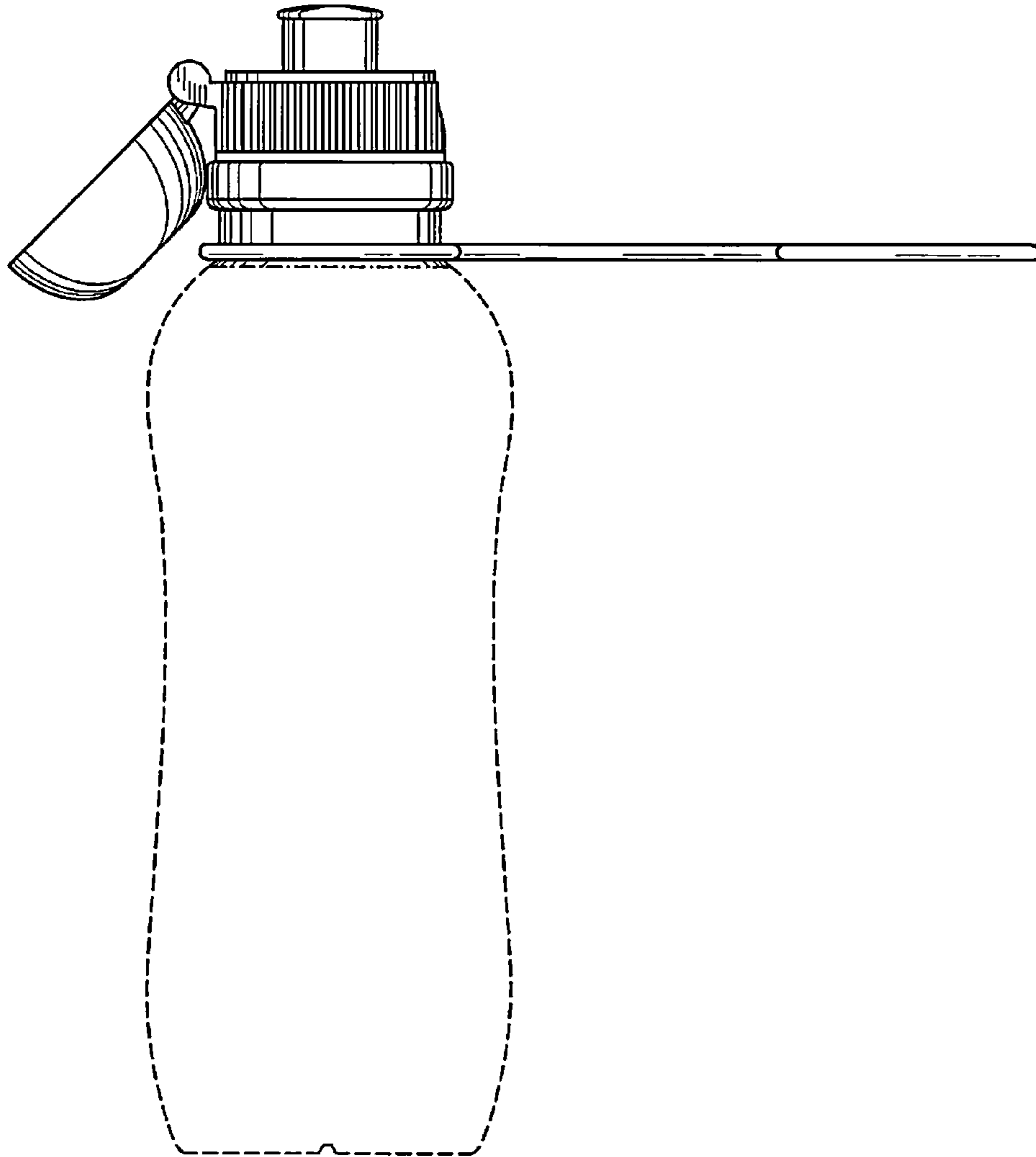


FIG. 7

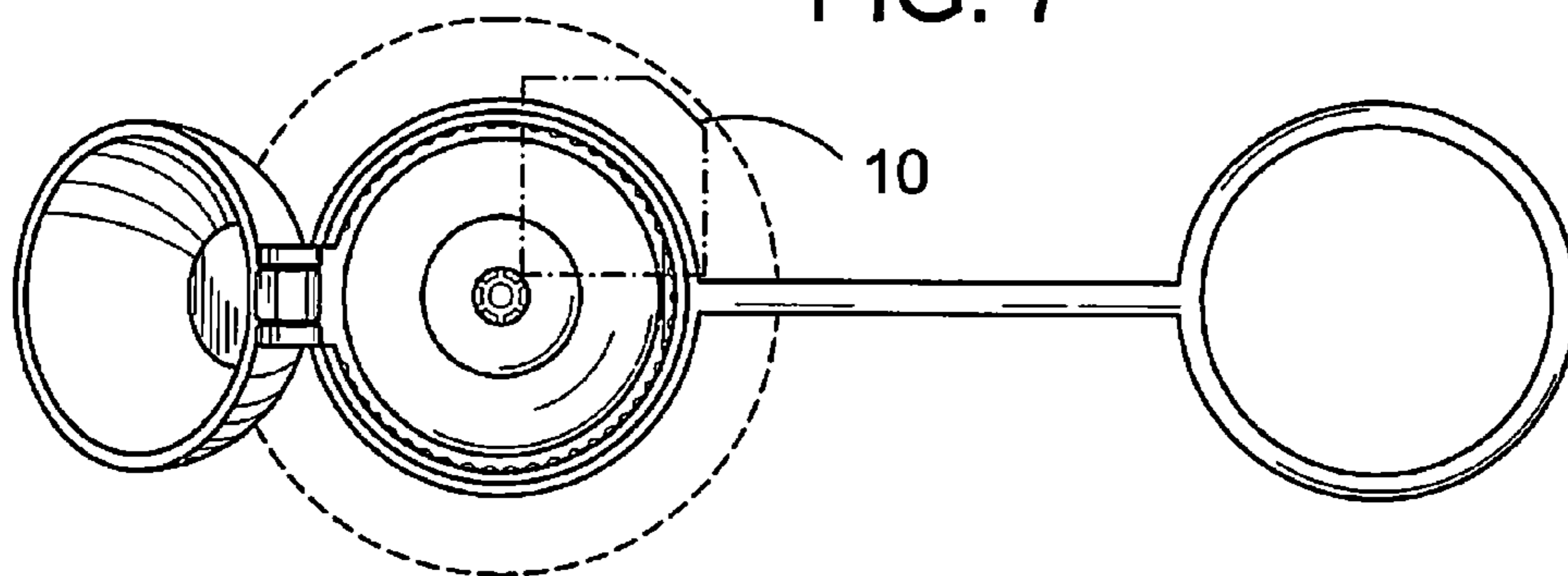


FIG. 8

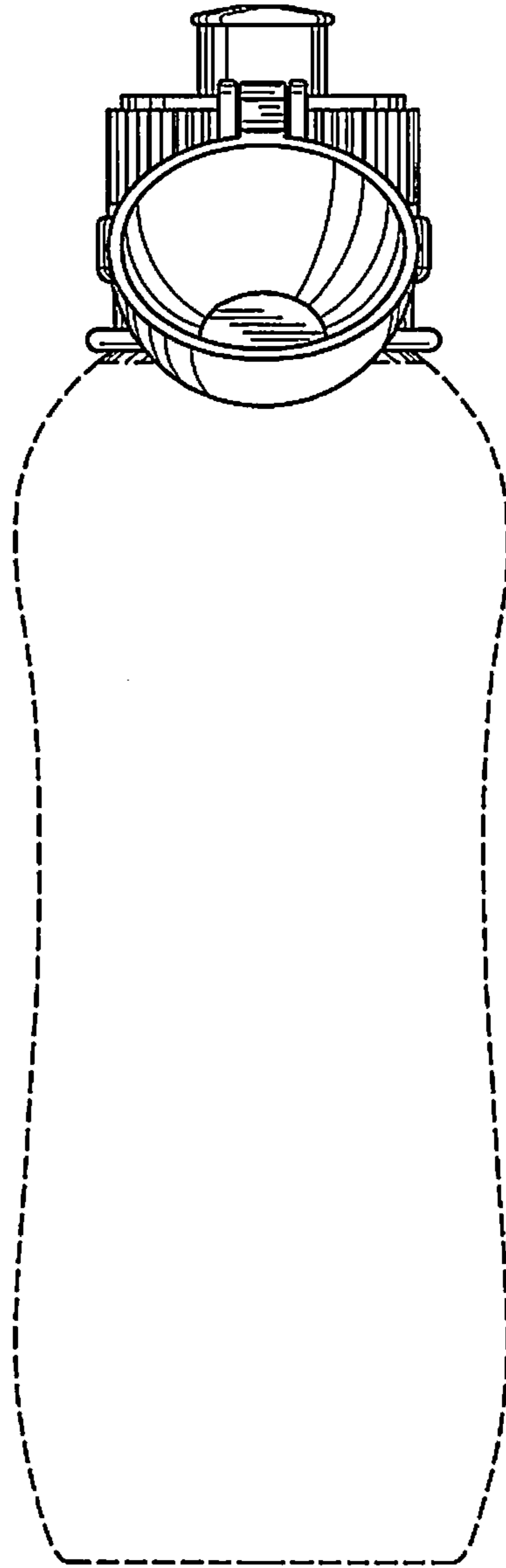


FIG. 9

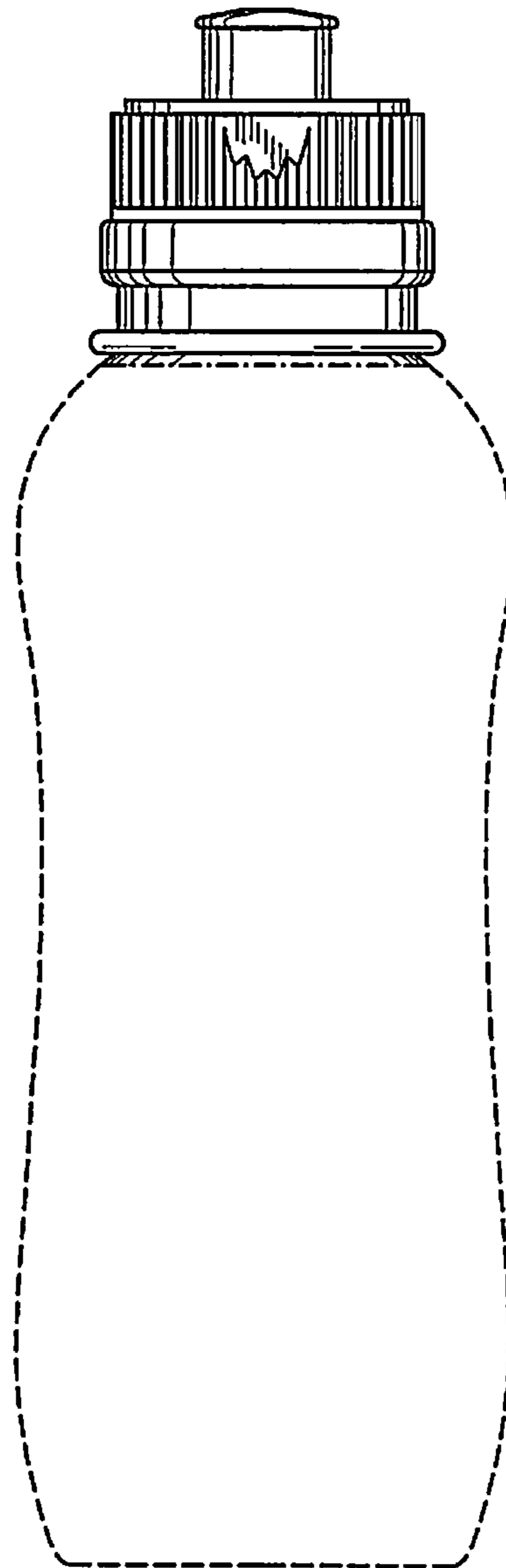


FIG. 10

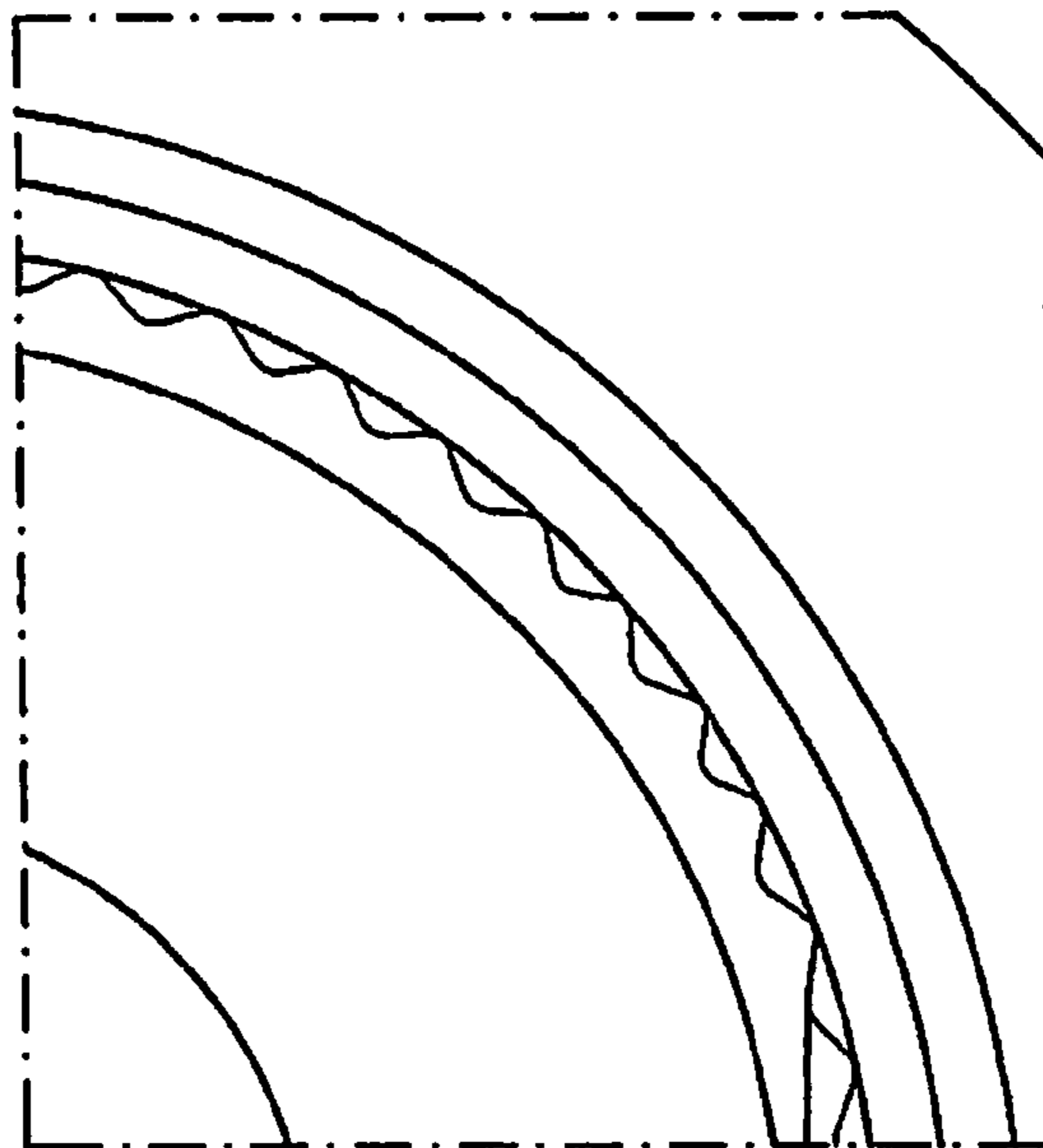


FIG. 11

