



US00D724379S

(12) **United States Design Patent**  
**Munari**

(10) **Patent No.:** **US D724,379 S**  
(45) **Date of Patent:** **\*\* Mar. 17, 2015**

- (54) **COOKWARE HANDLE**
- (71) Applicant: **La Termoplastica F.B.M. S.R.L.**, Arsago Seprio (IT)
- (72) Inventor: **Marco Munari**, Cardano Al Campo (IT)
- (73) Assignee: **La Termoplastica F.B.M. S.R.L.**, Arsago Seprio (VA) (IT)
- (\*\*) Term: **14 Years**
- (21) Appl. No.: **29/477,004**
- (22) Filed: **Dec. 18, 2013**
- (30) **Foreign Application Priority Data**

Jun. 19, 2013 (EM) ..... 002258483-0001

- (51) **LOC (10) Cl.** ..... **07-02**
- (52) **U.S. Cl.**  
USPC ..... **D7/395**

- (58) **Field of Classification Search**  
USPC ..... D7/354-361, 393-395, 401.2, 664;  
D8/107, 300, 321; D4/138, 129;  
16/421, 430, 431, 110.1, 407;  
220/573.1-573.5, 752, 753, 755, 756,  
220/759, 767, 771, 912  
See application file for complete search history.

- (56) **References Cited**  
U.S. PATENT DOCUMENTS

D442,428 S \* 5/2001 Munari ..... D7/395  
D520,811 S \* 5/2006 Spagnolo ..... D7/395

D579,265 S \* 10/2008 Munari ..... D7/393  
D589,745 S \* 4/2009 Munari ..... D7/395  
D615,810 S \* 5/2010 Munari ..... D7/395  
D654,307 S \* 2/2012 Loaiza ..... D7/395  
D686,874 S \* 7/2013 Rae ..... D7/395  
D705,597 S \* 5/2014 Howie ..... D7/395

\* cited by examiner

*Primary Examiner* — Cynthia M Chin

(74) *Attorney, Agent, or Firm* — Hedman & Costigan, P.C.;  
James V. Costigan; Kathleen A. Costigan

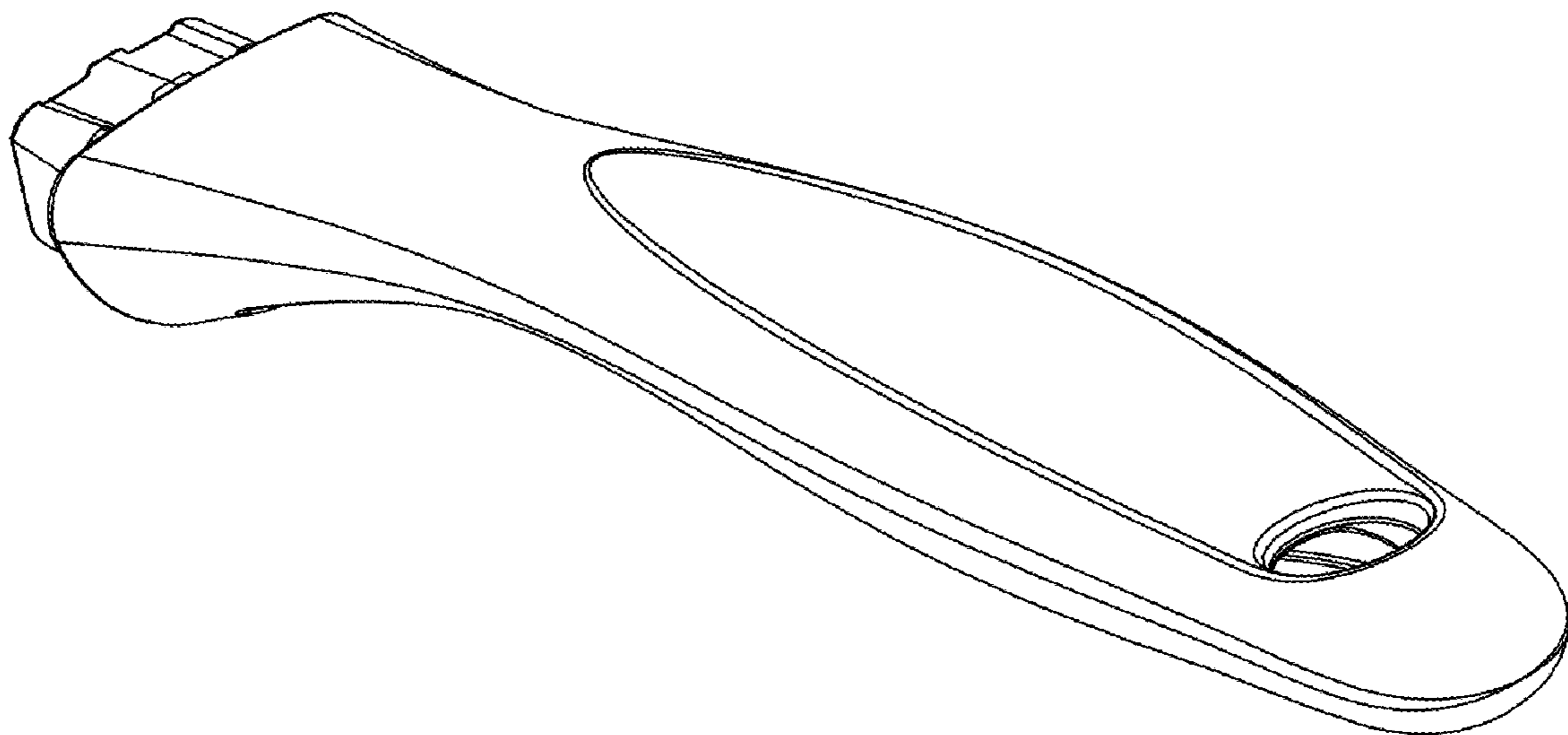
(57) **CLAIM**

I claim the ornamental design for a cookware handle, as shown and described.

**DESCRIPTION**

FIG. 1 is a front, perspective view of a cookware handle according to the present invention;  
FIG. 2 is a back view thereof;  
FIG. 3 is a front view thereof;  
FIG. 4 is a right side view thereof;  
FIG. 5 is a left side view thereof;  
FIG. 6 is top plan view thereof; and,  
FIG. 7 is a bottom plan view thereof.  
The portions of the cookware handle shown in broken lines form no part of the claimed design.

**1 Claim, 2 Drawing Sheets**



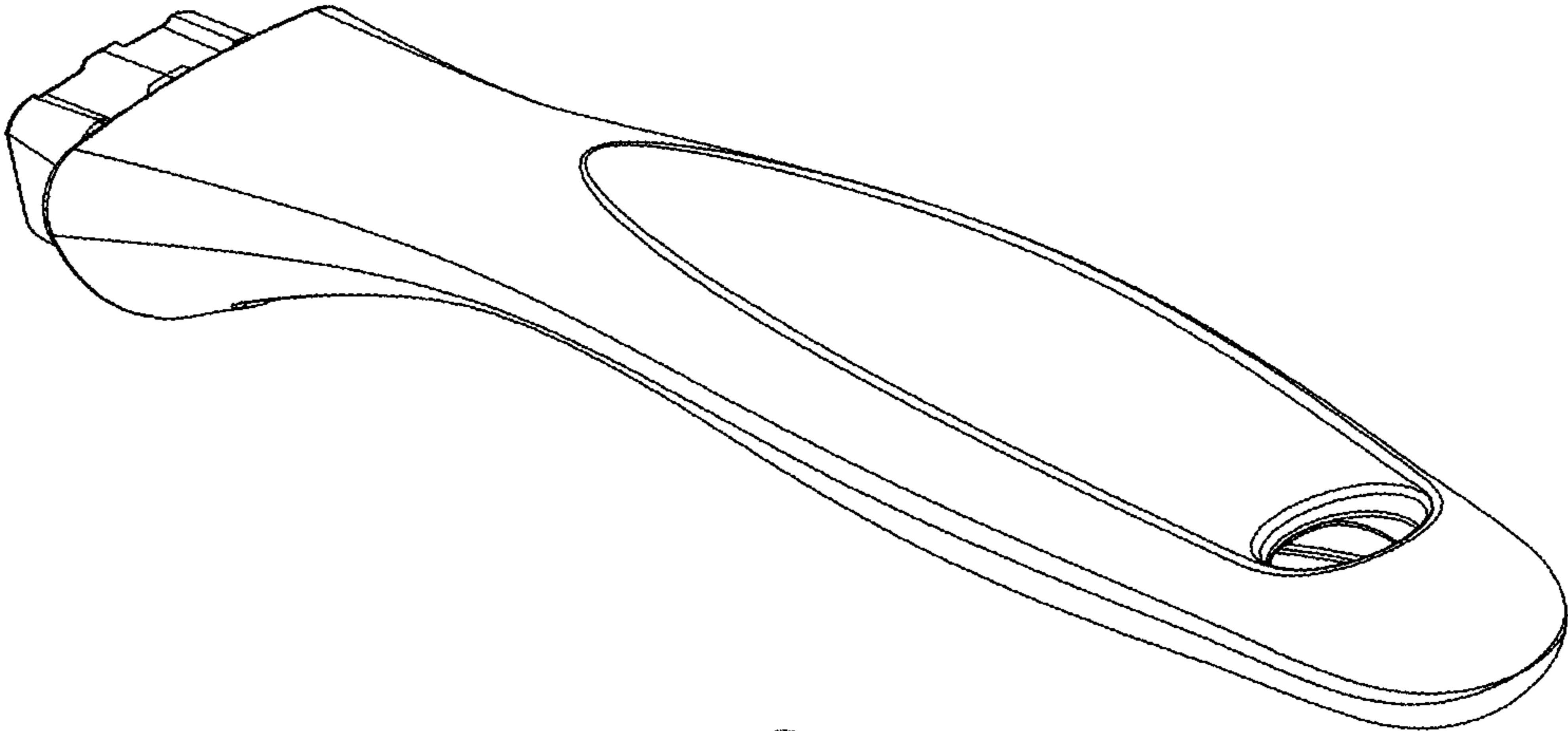


FIG. 1

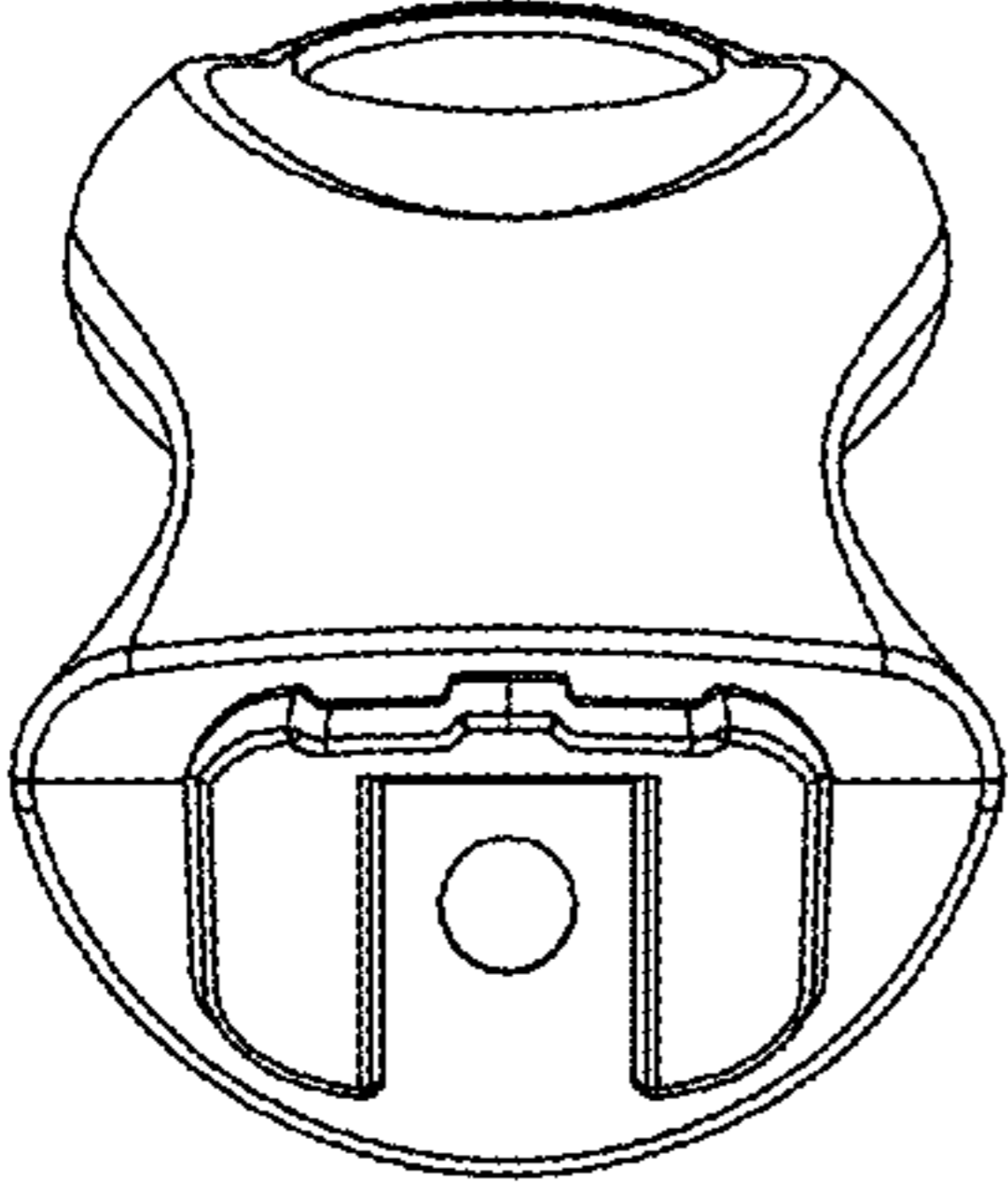


FIG. 2

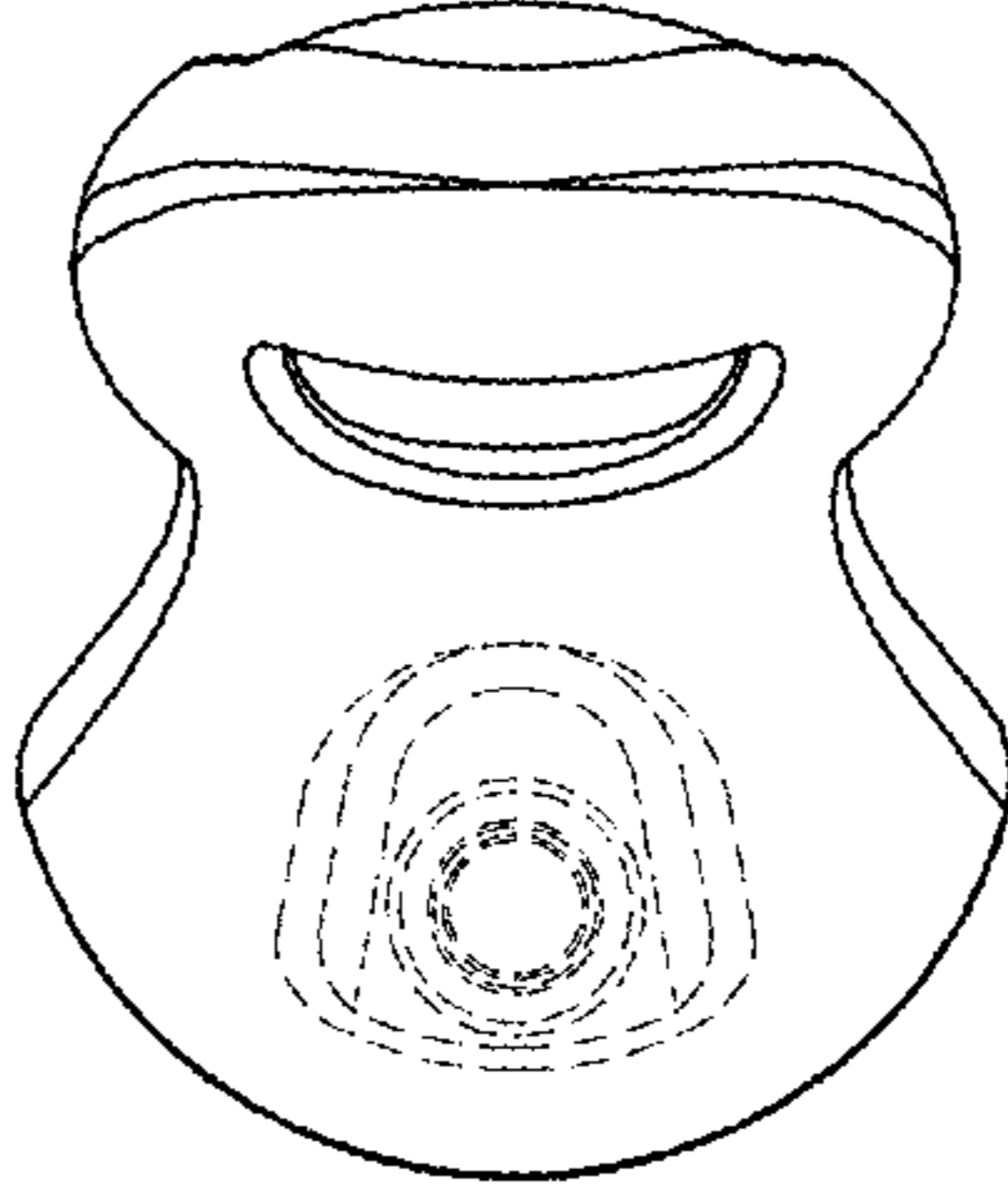


FIG. 3

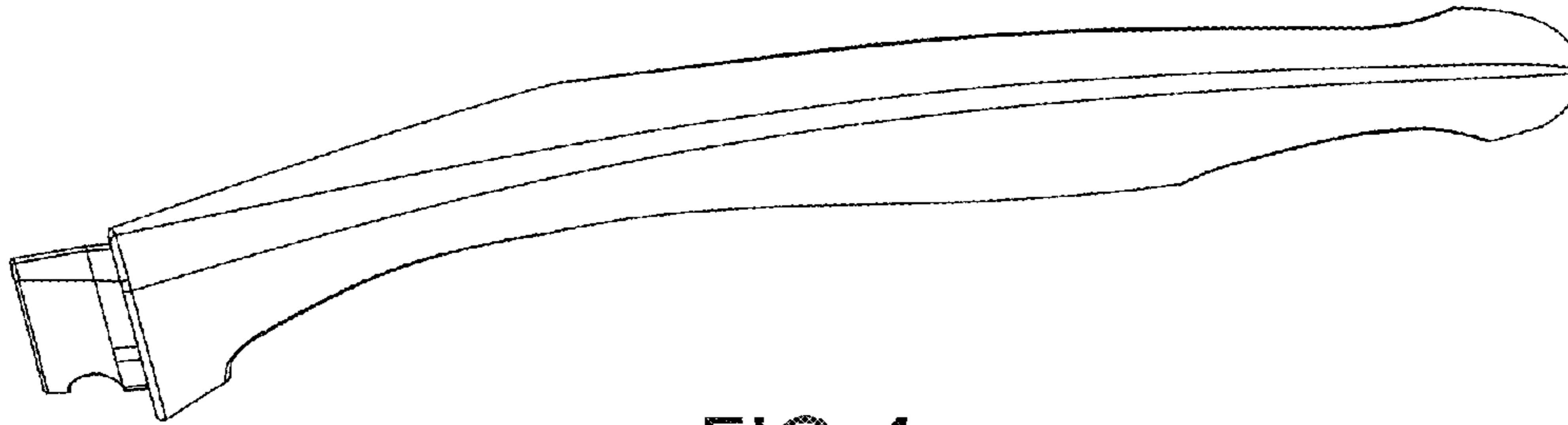


FIG. 4

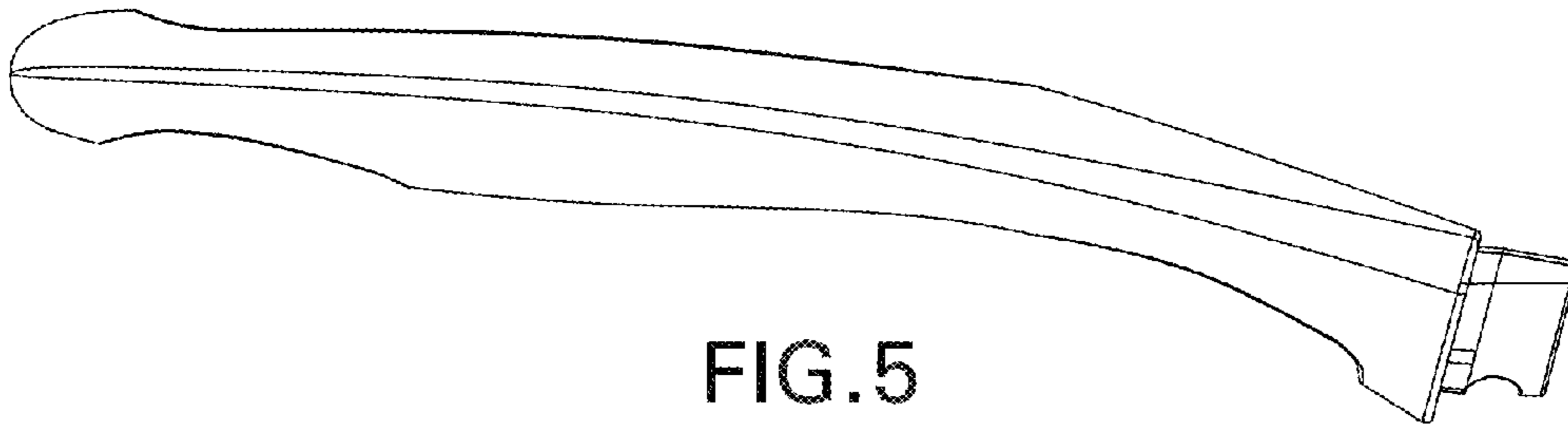


FIG. 5

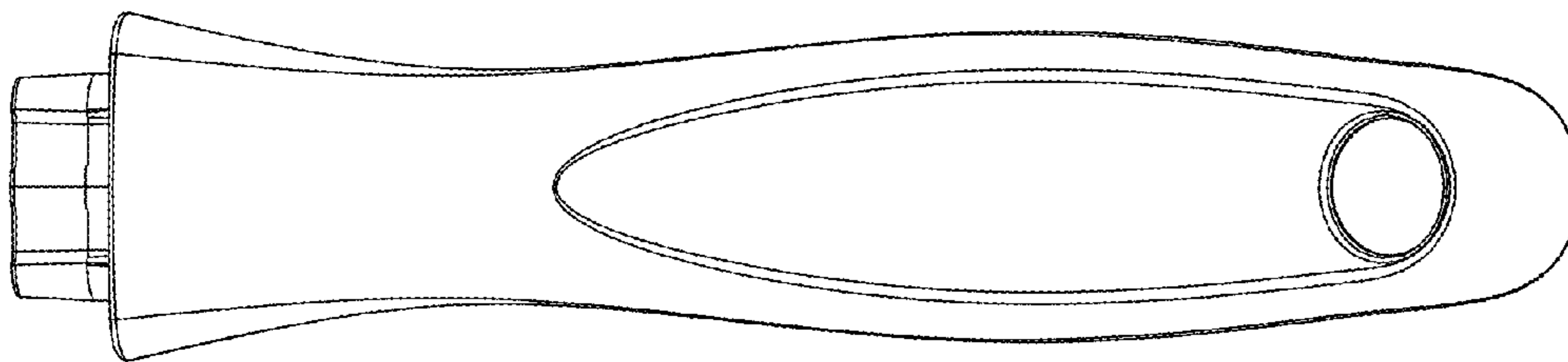


FIG. 6

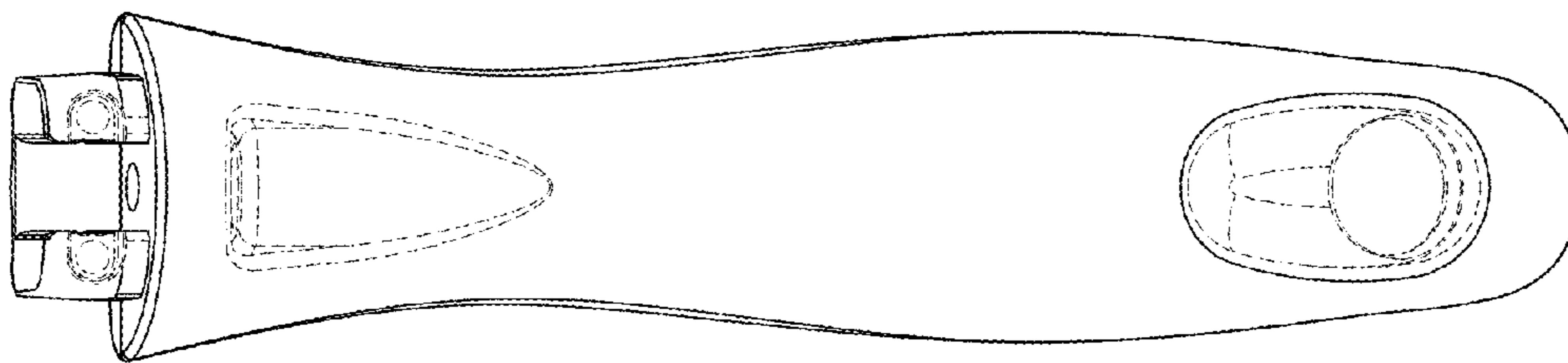


FIG. 7