



US00D724377S

(12) **United States Design Patent**
Munari

(10) **Patent No.:** **US D724,377 S**
(45) **Date of Patent:** **** Mar. 17, 2015**

- (54) **COOKWARE HANDLE**
- (71) Applicant: **La Termoplastica F.B.M. S.R.L.**, Arsago Seprio (VA) (IT)
- (72) Inventor: **Marco Munari**, Cardano al Campo (IT)
- (73) Assignee: **La Termoplastica F.B.M. S.R.L.**, Arsago Seprio (VA) (IT)
- (**) Term: **14 Years**
- (21) Appl. No.: **29/467,809**
- (22) Filed: **Sep. 24, 2013**

- (30) **Foreign Application Priority Data**
Mar. 25, 2013 (EM) 002208165-0001
- (51) **LOC (10) Cl.** **07-02**
- (52) **U.S. Cl.**
USPC **D7/395**
- (58) **Field of Classification Search**
USPC D7/354-361, 393-395, 401.2, 664;
D8/107, 300, 321; D4/138, 129;
16/421, 430, 431, 110.1, 407;
220/573.1-573.5, 752, 753, 755, 756,
220/759, 767, 771, 912
See application file for complete search history.

- (56) **References Cited**
U.S. PATENT DOCUMENTS
D525,081 S * 7/2006 Munari D7/395
D526,532 S * 8/2006 Munari D7/395

- D527,581 S * 9/2006 Scipioni D7/395
- D559,617 S * 1/2008 Kloppsteck D7/393
- D561,525 S * 2/2008 Dall'Asta D7/395
- D561,527 S * 2/2008 Giannone D7/395
- D596,896 S * 7/2009 Munari D7/395
- D682,024 S * 5/2013 Rae D7/395
- D682,025 S * 5/2013 Rae D7/395
- 2005/0145637 A1 * 7/2005 Lin 220/759

* cited by examiner

Primary Examiner — Cynthia M Chin

(74) *Attorney, Agent, or Firm* — Hedman & Costigan, P.C.;
James V. Costigan; Kathleen A. Costigan

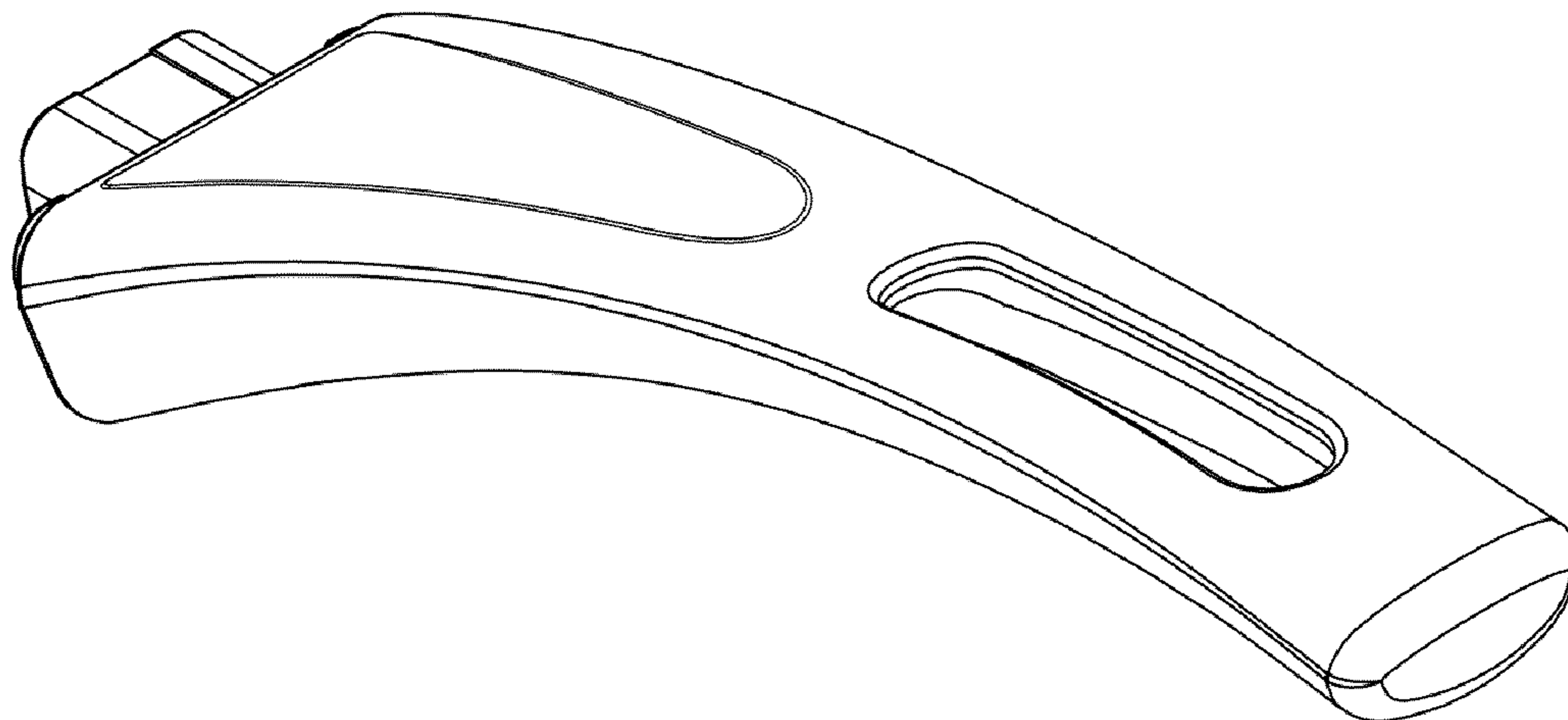
(57) **CLAIM**

I claim the ornamental design for a cookware handle, as shown and described.

DESCRIPTION

FIG. 1 is a front, perspective view of a cookware handle according to the present invention; FIG. 2 is a back view thereof; FIG. 3 is a front view thereof; FIG. 4 is a right side view thereof; FIG. 5 is a left side view thereof; FIG. 6 is top plan view thereof; and, FIG. 7 is a bottom plan view thereof. The portions of the cookware handle shown in broken lines form no part of the claimed design.

1 Claim, 2 Drawing Sheets



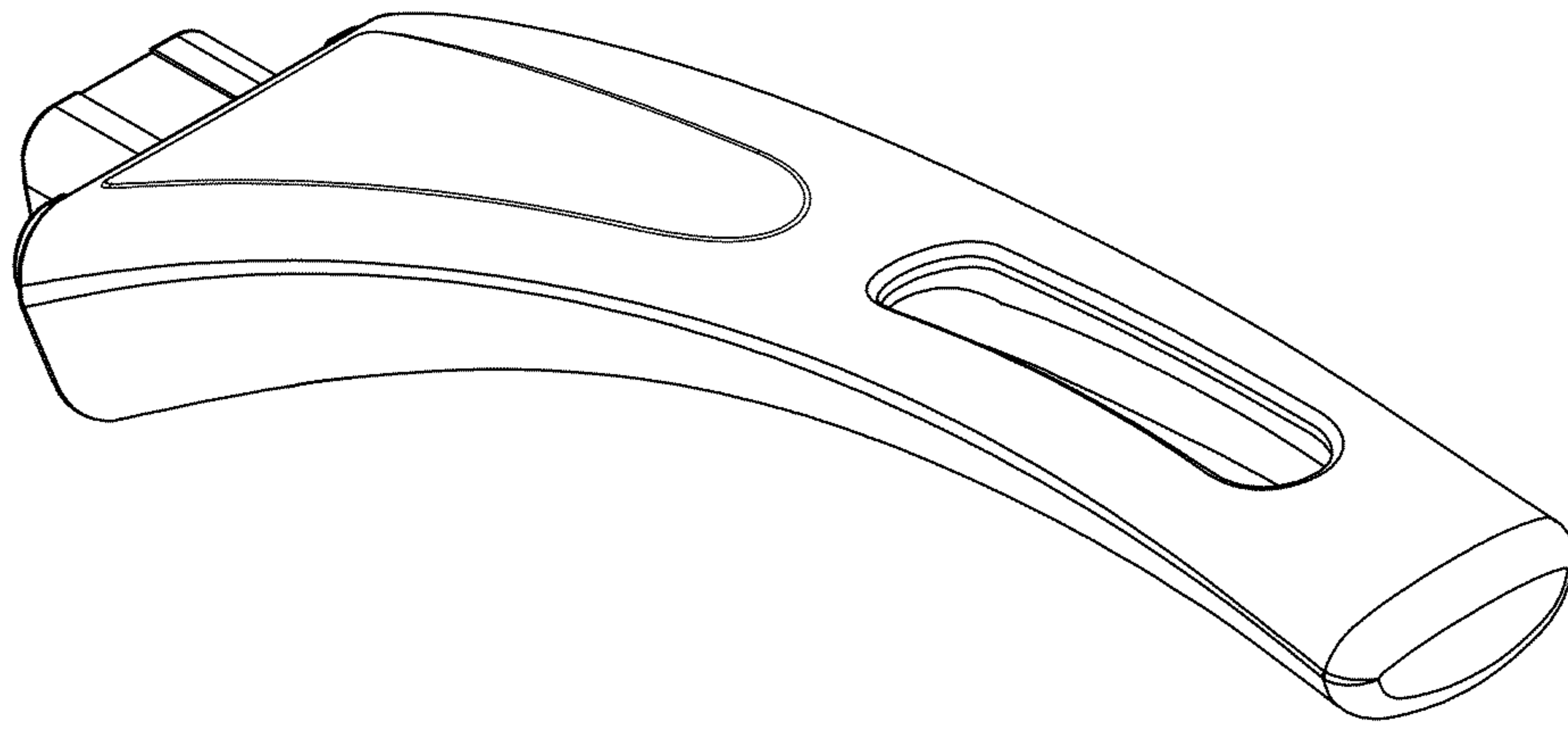


FIG. 1

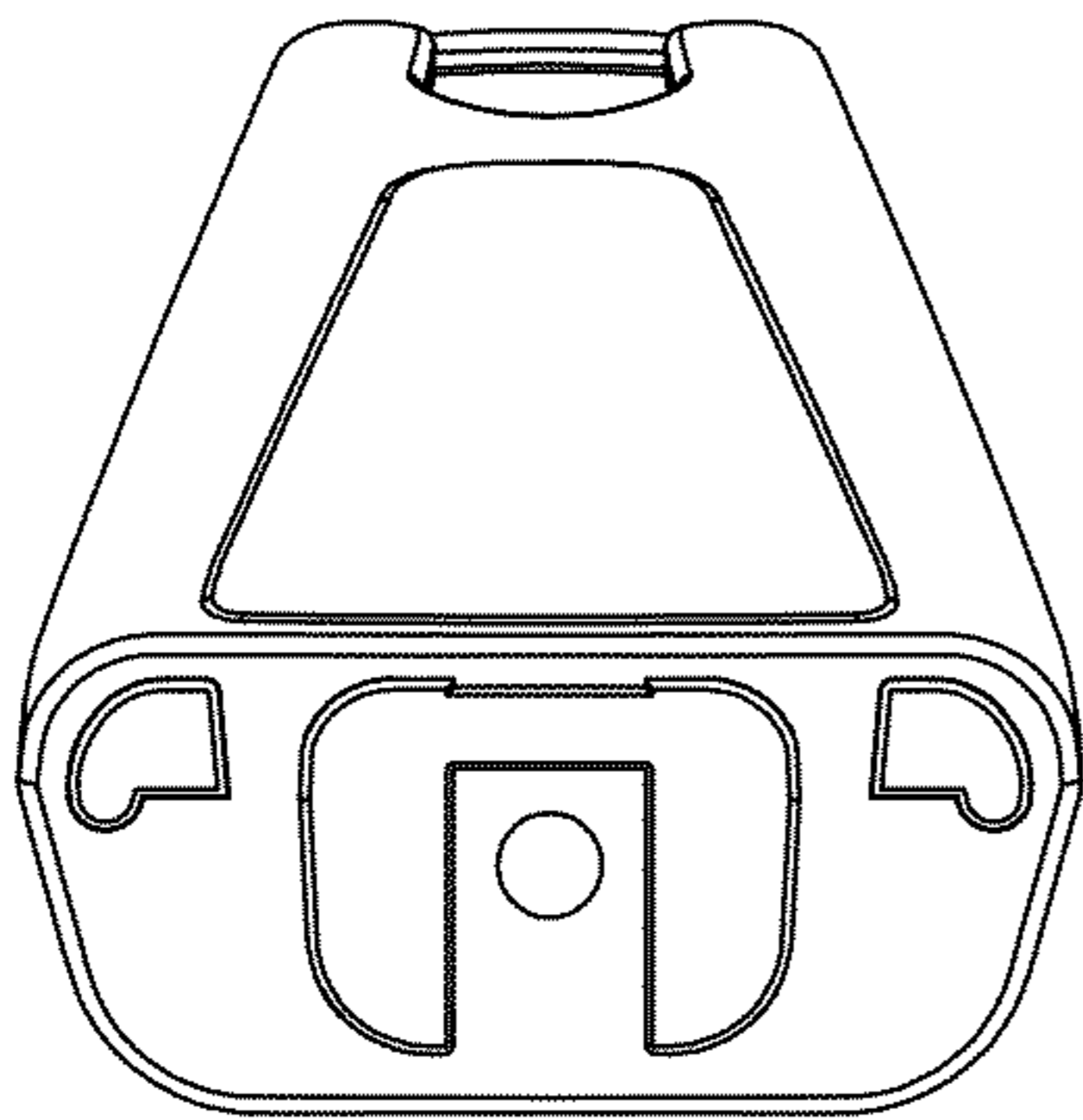


FIG. 2

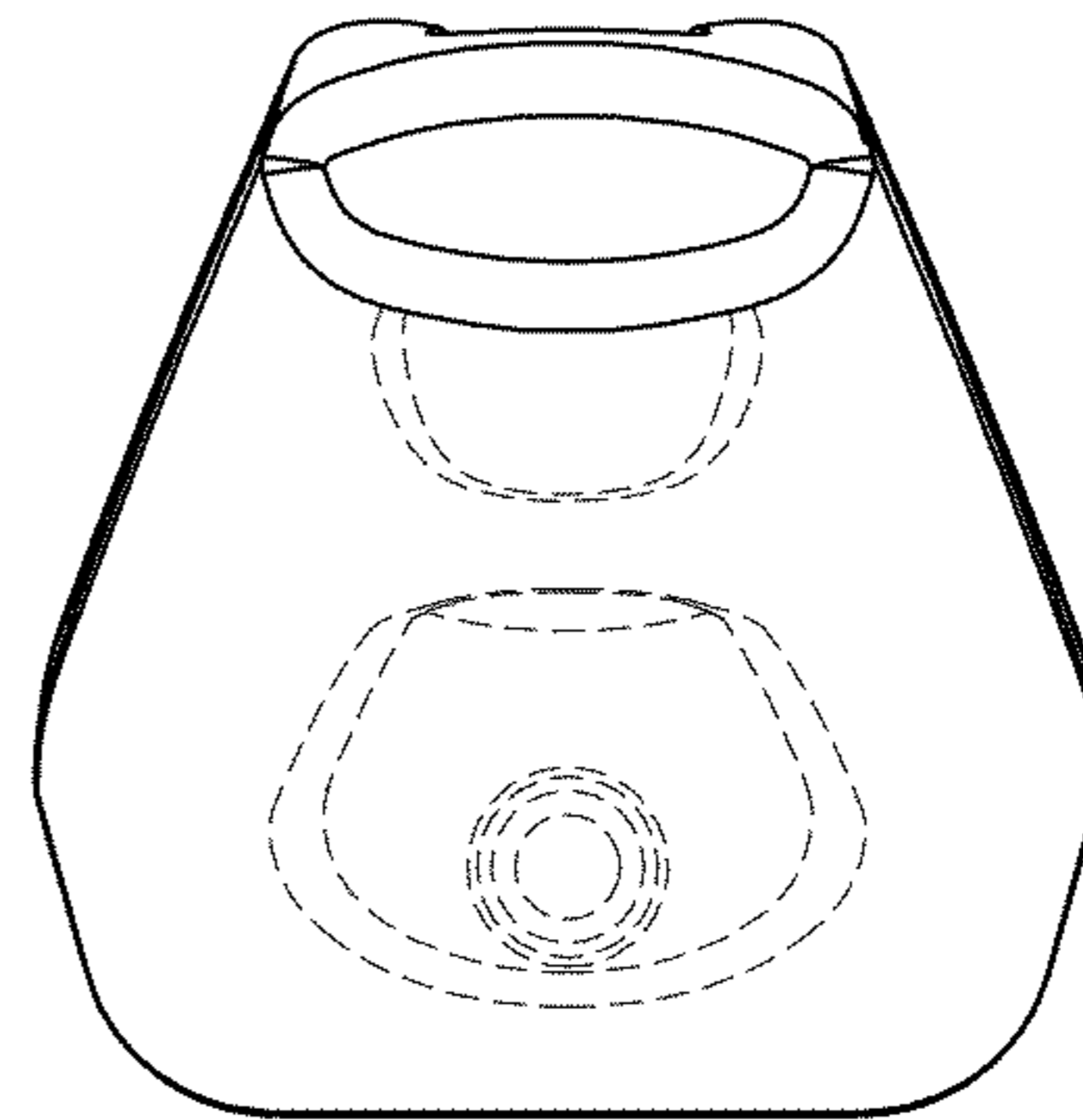


FIG. 3

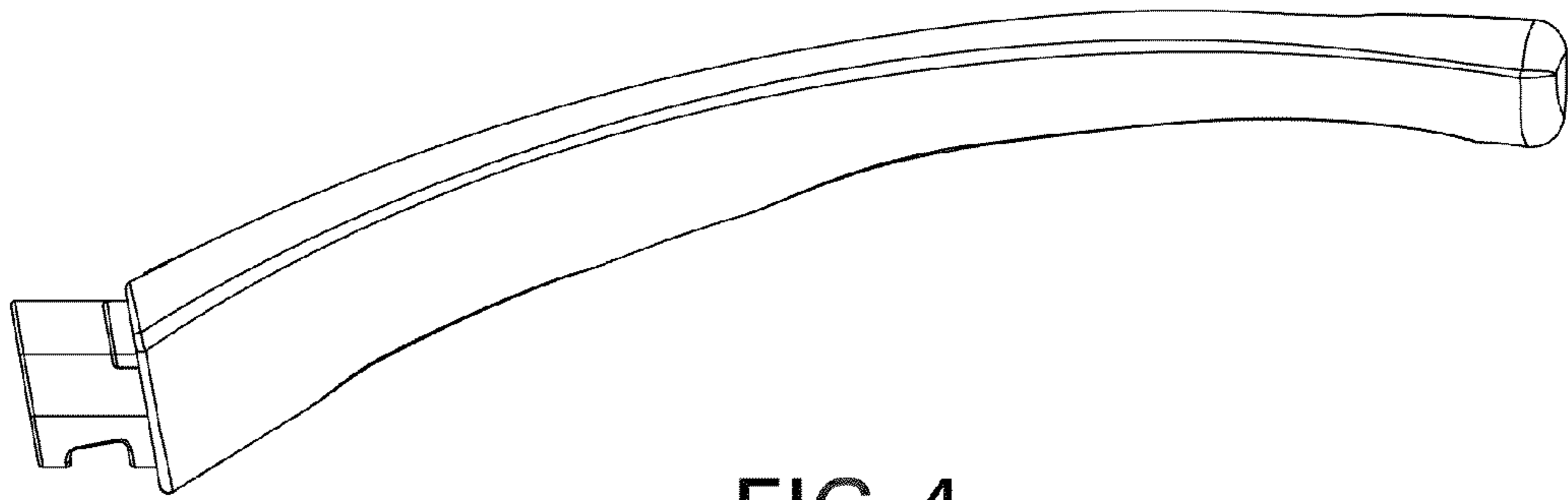


FIG. 4

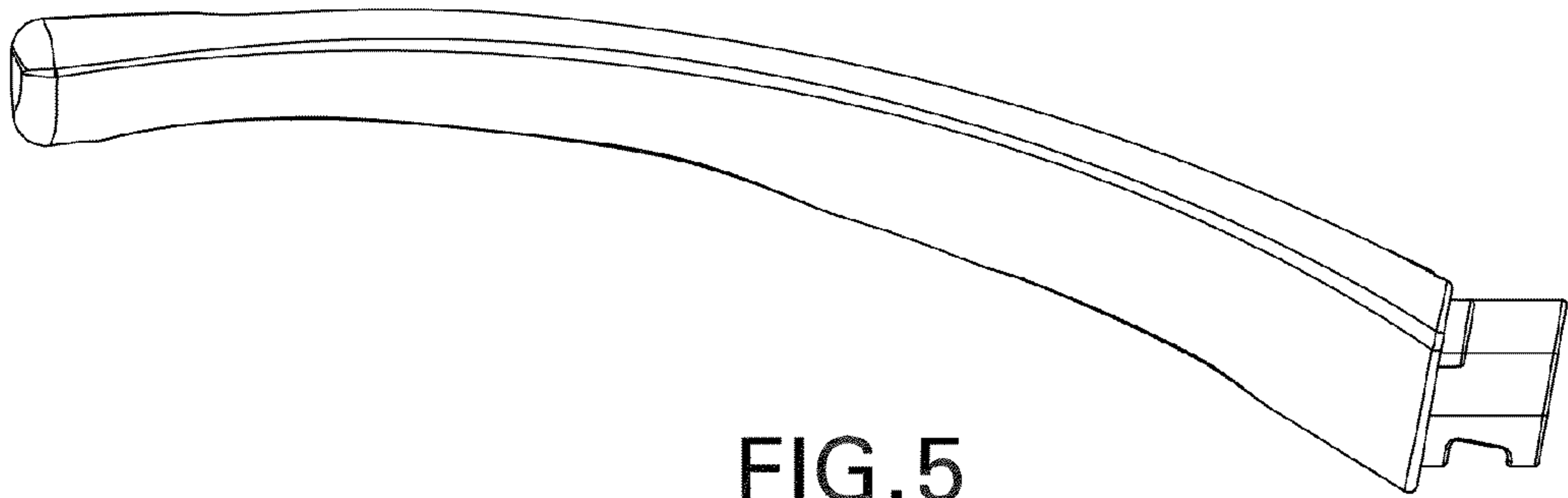


FIG. 5

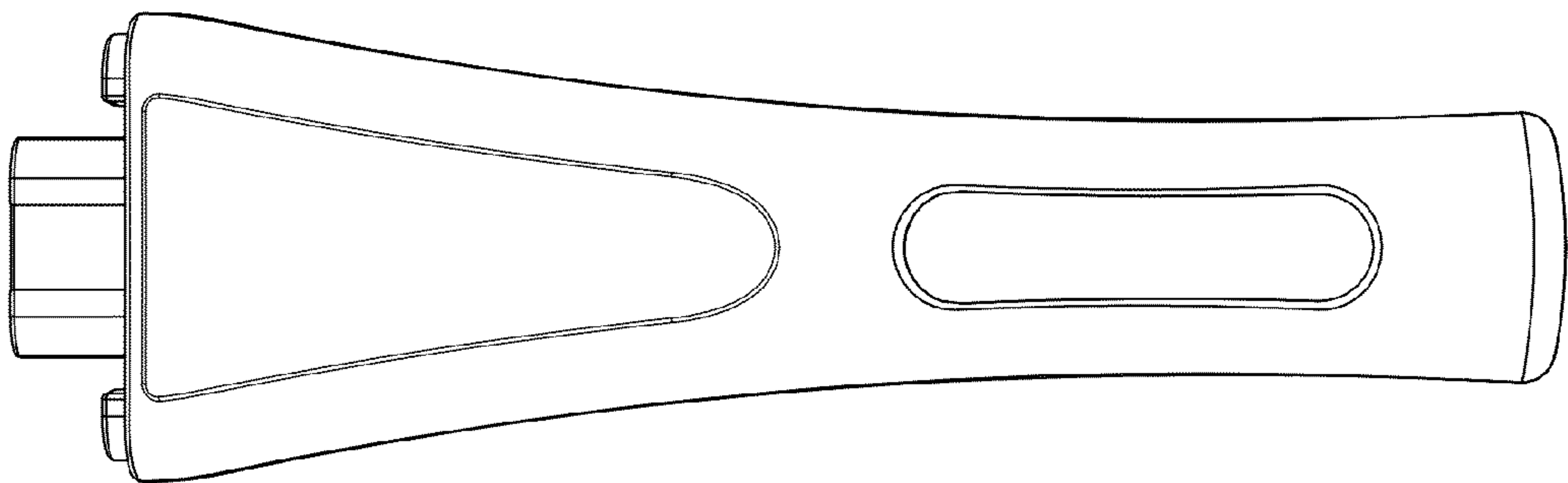


FIG. 6

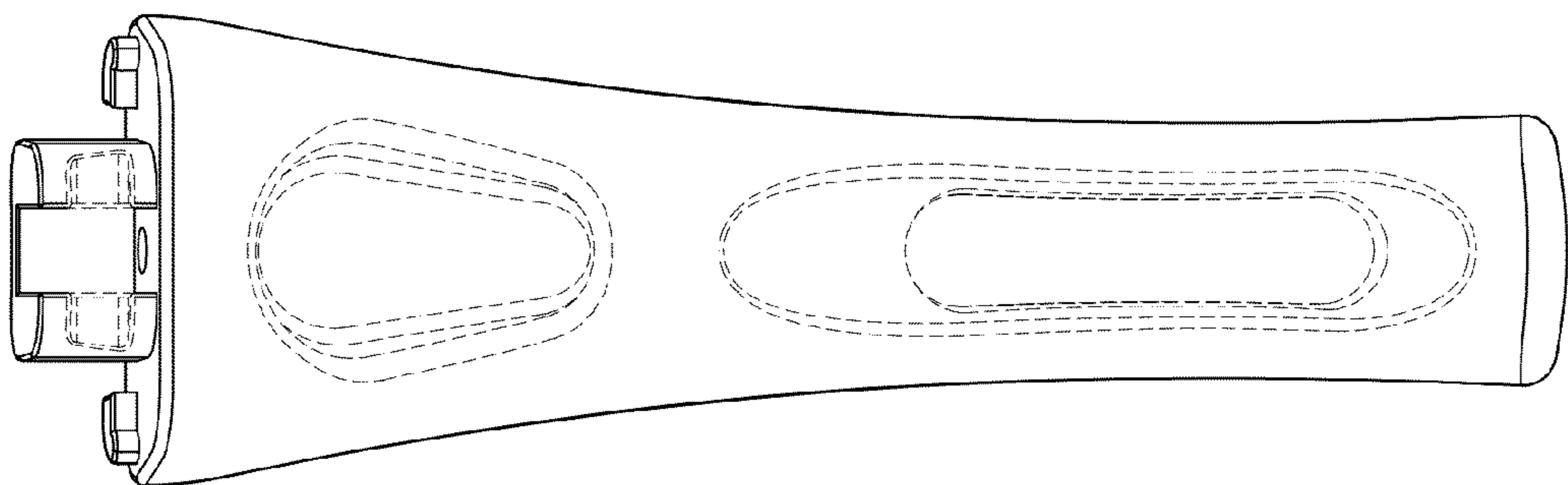


FIG. 7