



US00D724375S

(12) **United States Design Patent**
Thonis et al.

(10) **Patent No.:** **US D724,375 S**
(45) **Date of Patent:** **** Mar. 17, 2015**

(54) **VESSEL**

(71) Applicant: **Lenox Corporation**, Bristol, PA (US)

(72) Inventors: **Paul Thonis**, New Hope, PA (US);
Emily C. Matt, Haddonfield, NJ (US)

(73) Assignee: **Lenox Corporation**, Bristol, PA (US)

(**) Term: **14 Years**

(21) Appl. No.: **29/462,646**

(22) Filed: **Aug. 6, 2013**

(51) **LOC (10) Cl.** **07-99**

(52) **U.S. Cl.**
USPC **D7/394**; D7/319

(58) **Field of Classification Search**
USPC D7/536, 319, 394, 393, 396.2; 220/771,
220/592.17, 710.5; 215/396, 398;
16/DIG. 19, DIG. 12, 419, 425, 430;
D8/320, 319
See application file for complete search history.

(56) **References Cited**

U.S. PATENT DOCUMENTS

D60,378 S *	2/1922	Sanford	D7/319
D193,064 S *	6/1962	Jones	D7/319
3,057,016 A *	10/1962	Schilling	264/250
D202,643 S *	10/1965	Hoyt	D7/536
D213,458 S *	3/1969	Gulotta	D7/536
D226,962 S *	5/1973	Krock	D7/536
D243,911 S *	4/1977	Thorud	D7/536
4,357,809 A *	11/1982	Held et al.	62/457.4
D386,942 S *	12/1997	McConnell	D7/394
D415,948 S *	11/1999	Carsello	D8/320
6,076,699 A *	6/2000	Seager et al.	220/710.5
D444,897 S *	7/2001	Yuen	D26/46
D476,528 S *	7/2003	Janky et al.	D7/536
D586,605 S *	2/2009	Ma et al.	D7/317
D586,606 S *	2/2009	Ma et al.	D7/319
D620,314 S *	7/2010	Dorsey et al.	D7/507
8,870,252 B2 *	10/2014	Pratho	294/33

* cited by examiner

OTHER PUBLICATIONS

Paul Thonis, "Kobenstyle Timeline," Lenox Corporation, internal memo (pertinent portions), 2012, 4 pages.

Primary Examiner — Marianne Pandozzi

(57) **CLAIM**
We claim the ornamental design for a vessel, as shown and described.

DESCRIPTION

FIG. 1 is a side perspective view of a first embodiment of our new design for a vessel, featuring the top and right sides thereof;
FIG. 2 is a right side elevational view thereof;
FIG. 3 is a left side elevational view thereof;
FIG. 4 is a front elevational view thereof;
FIG. 5 is a rear elevational view thereof;
FIG. 6 is a top elevational view thereof;
FIG. 7 is a bottom elevational view thereof;
FIG. 8 is a side perspective view of a second embodiment of our new design for a vessel, featuring the top and right sides thereof;
FIG. 9 is a right side elevational view thereof;
FIG. 10 is a left side elevational view thereof;
FIG. 11 is a front elevational view thereof;
FIG. 12 is a rear elevational view thereof;
FIG. 13 is a top elevational view thereof;
FIG. 14 is a bottom elevational view thereof;
FIG. 15 is a side perspective view of a third embodiment of our new design for a vessel, featuring the top and right sides thereof;
FIG. 16 is a right side elevational view thereof;
FIG. 17 is a left side elevational view thereof;
FIG. 18 is a front elevational view thereof;
FIG. 19 is a rear elevational view thereof;
FIG. 20 is a top elevational view thereof; and,
FIG. 21 is a bottom elevational view thereof.
The broken lines in the drawings are included for the purpose of illustration and form no part of the claimed design.

1 Claim, 21 Drawing Sheets





FIG. 1



FIG. 2

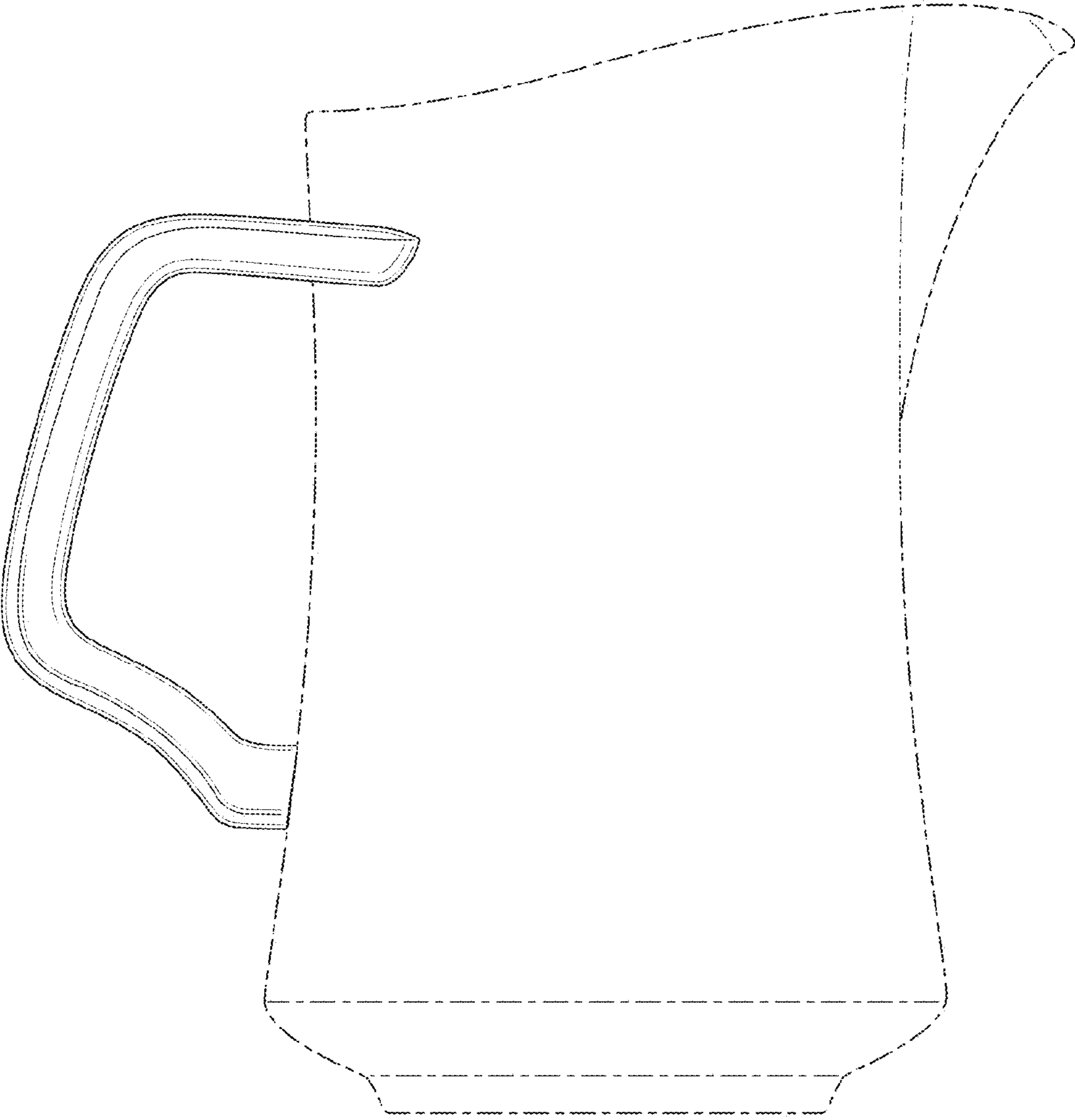


FIG. 3

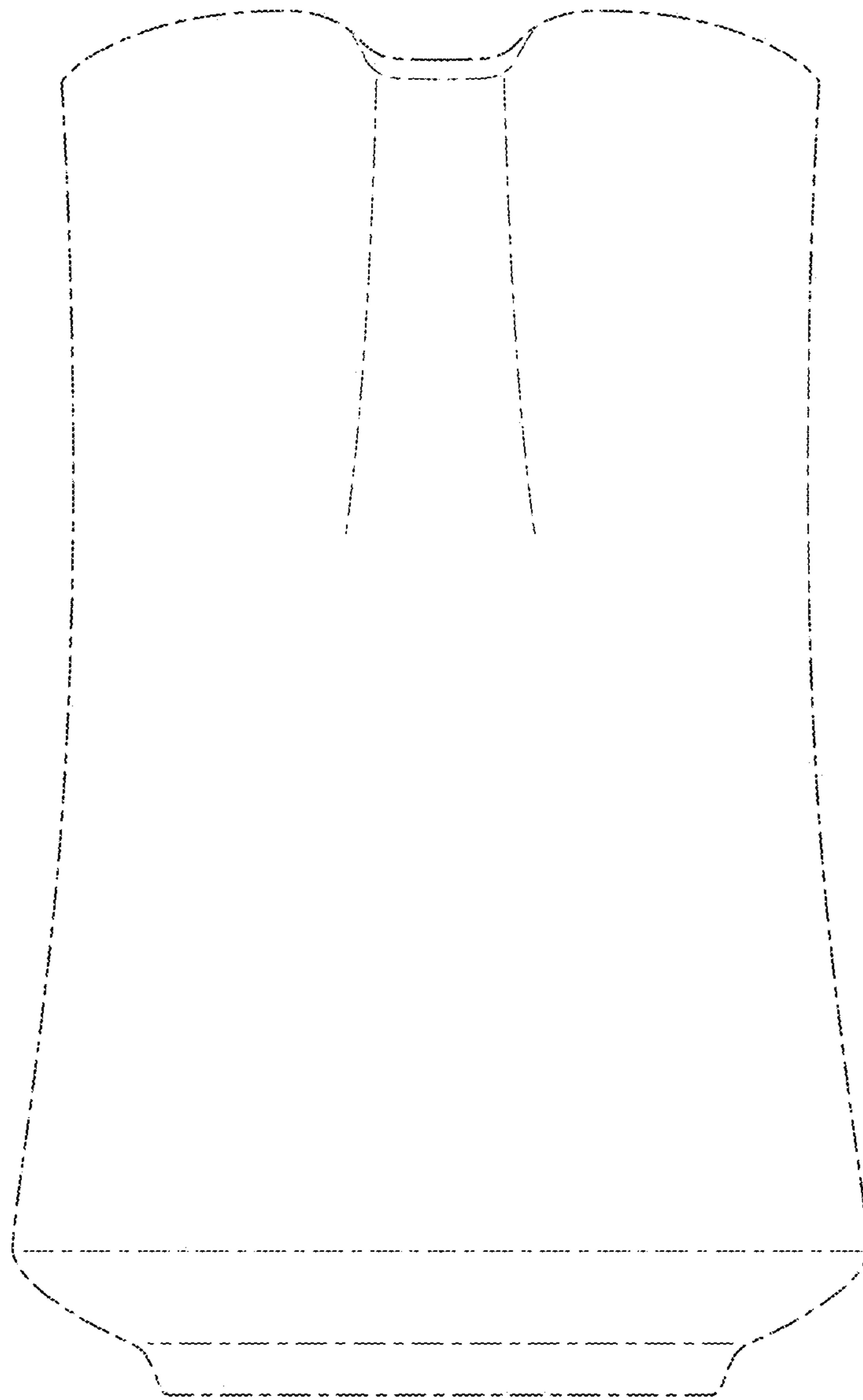


FIG. 4

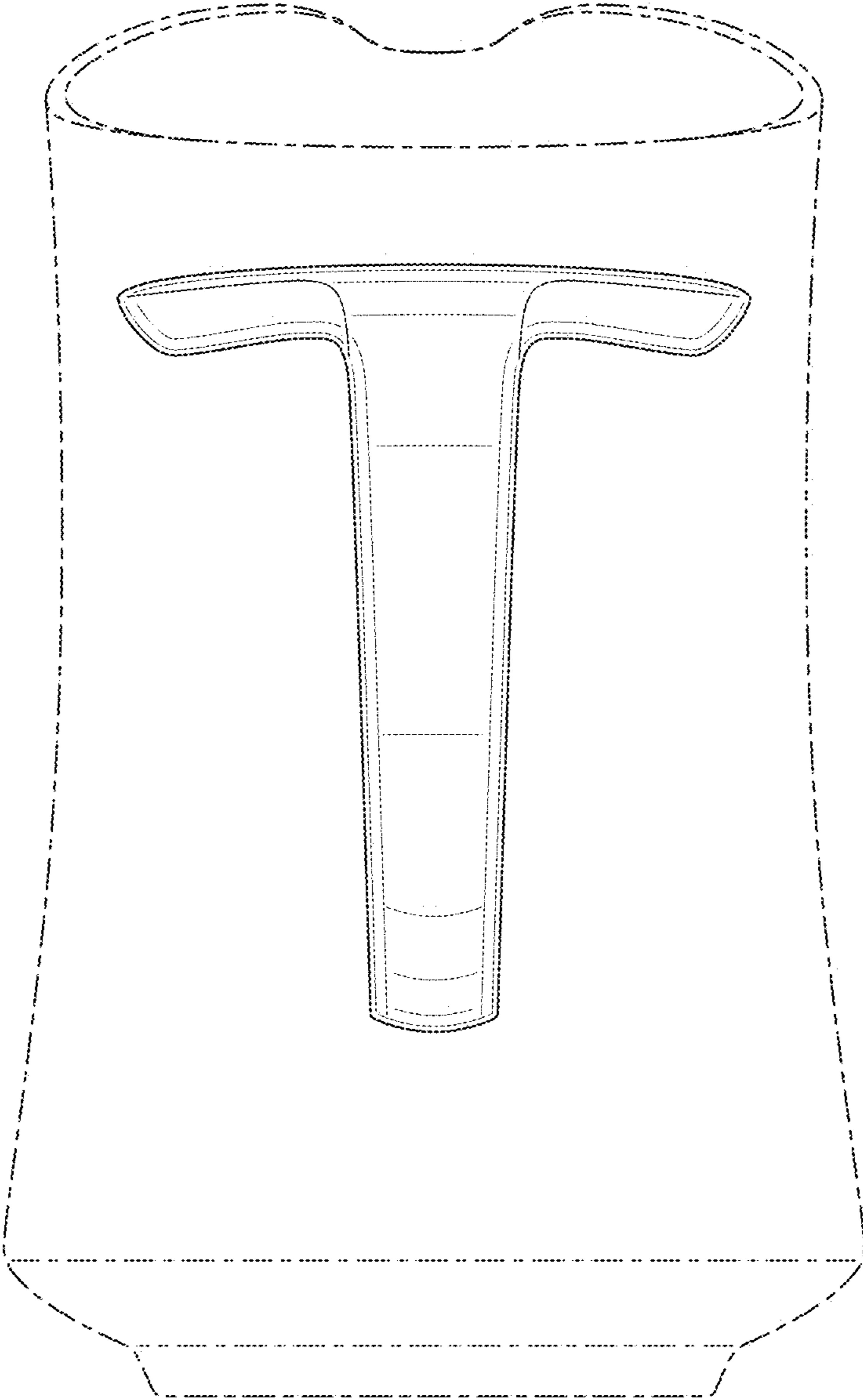


FIG. 5

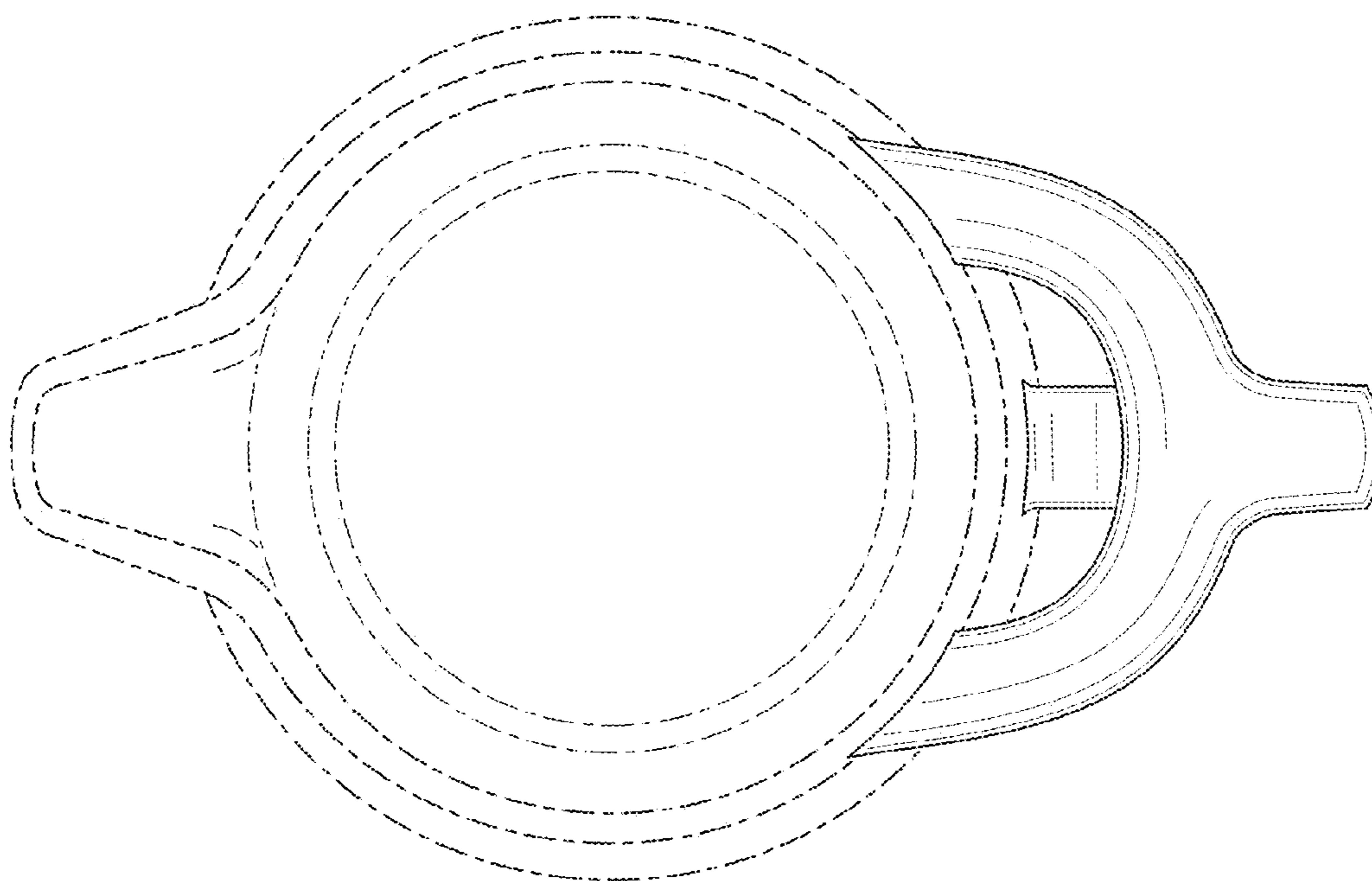


FIG. 6

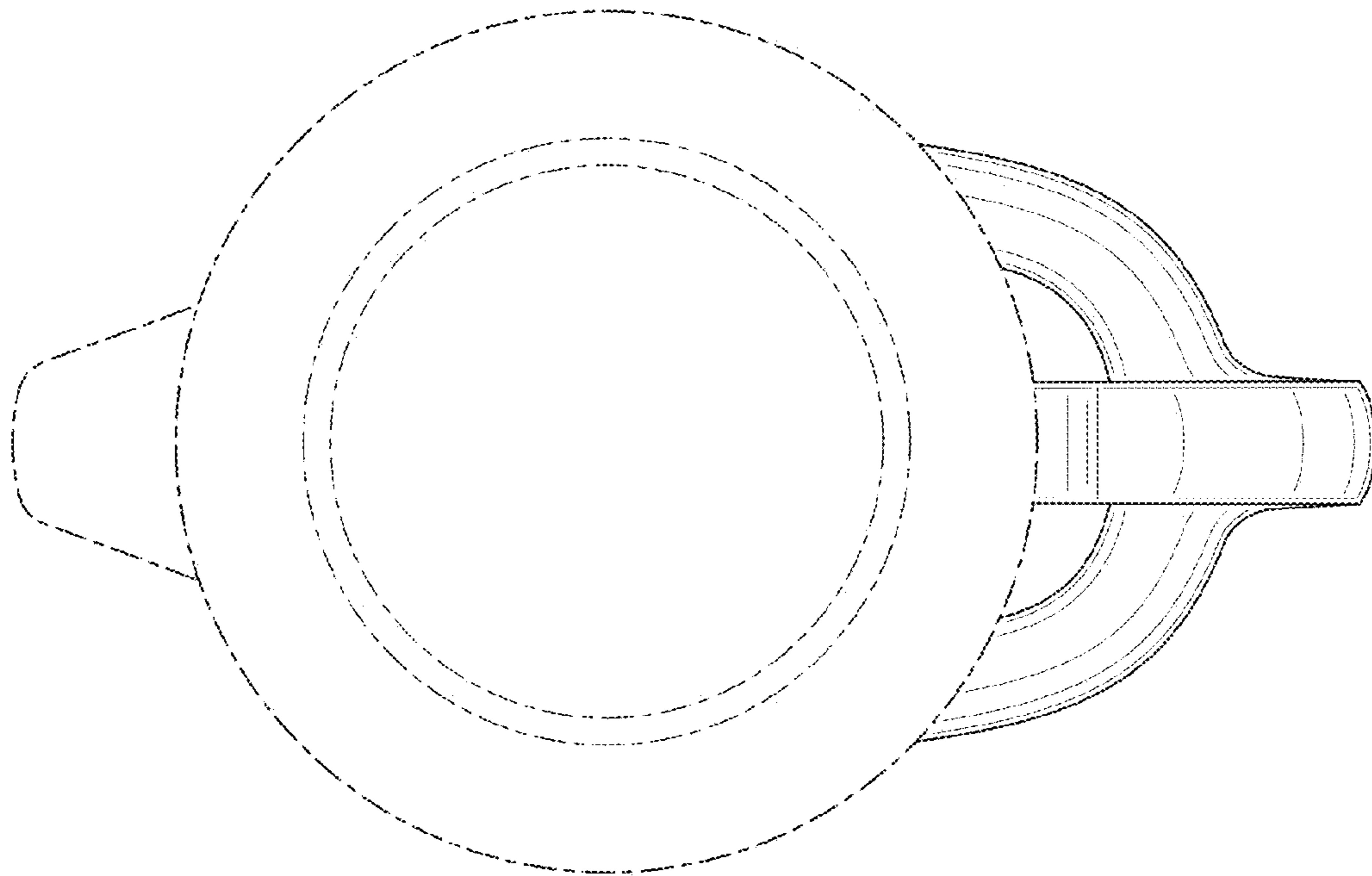


FIG. 7

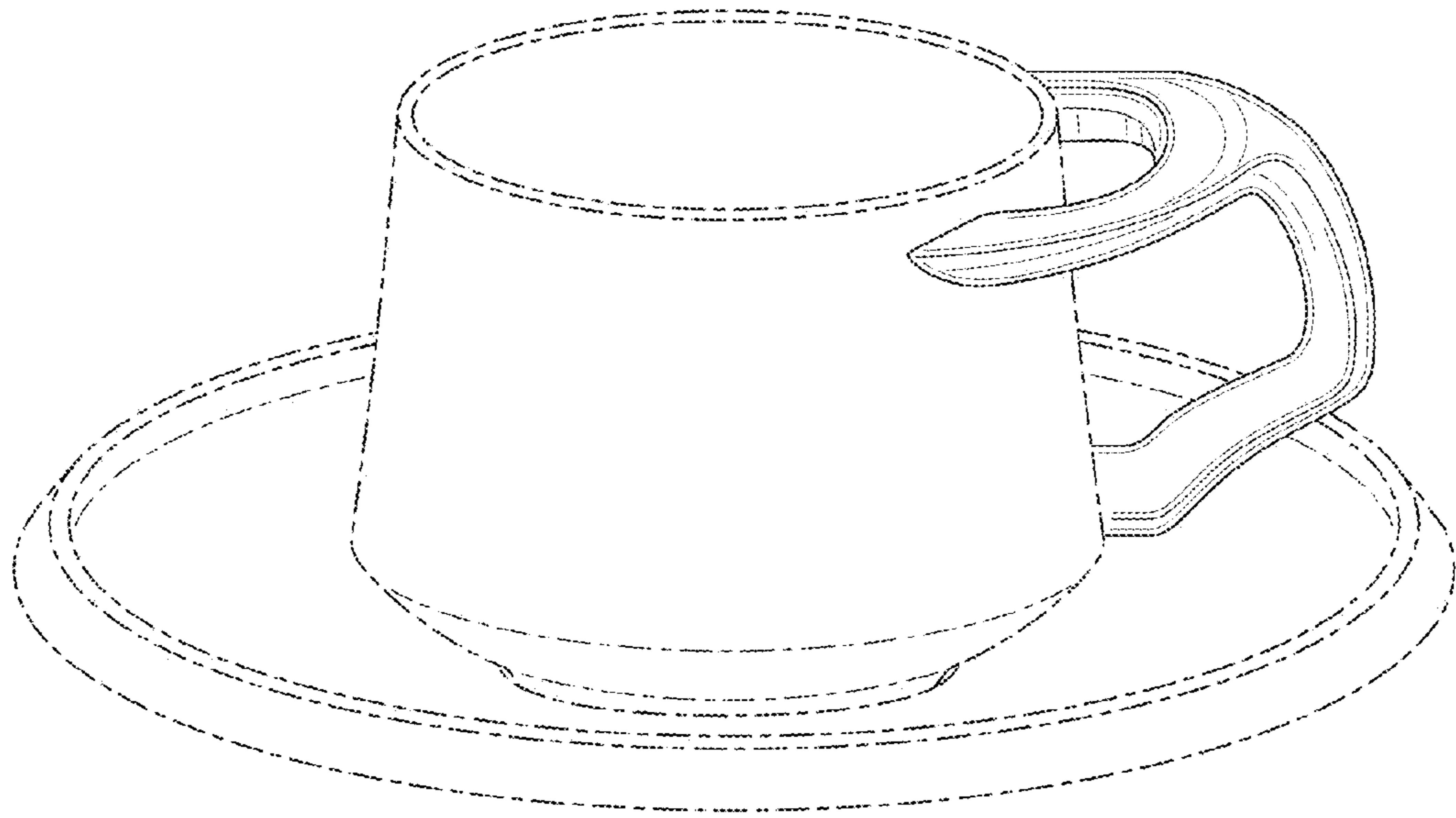


FIG. 8



FIG. 9



FIG. 10

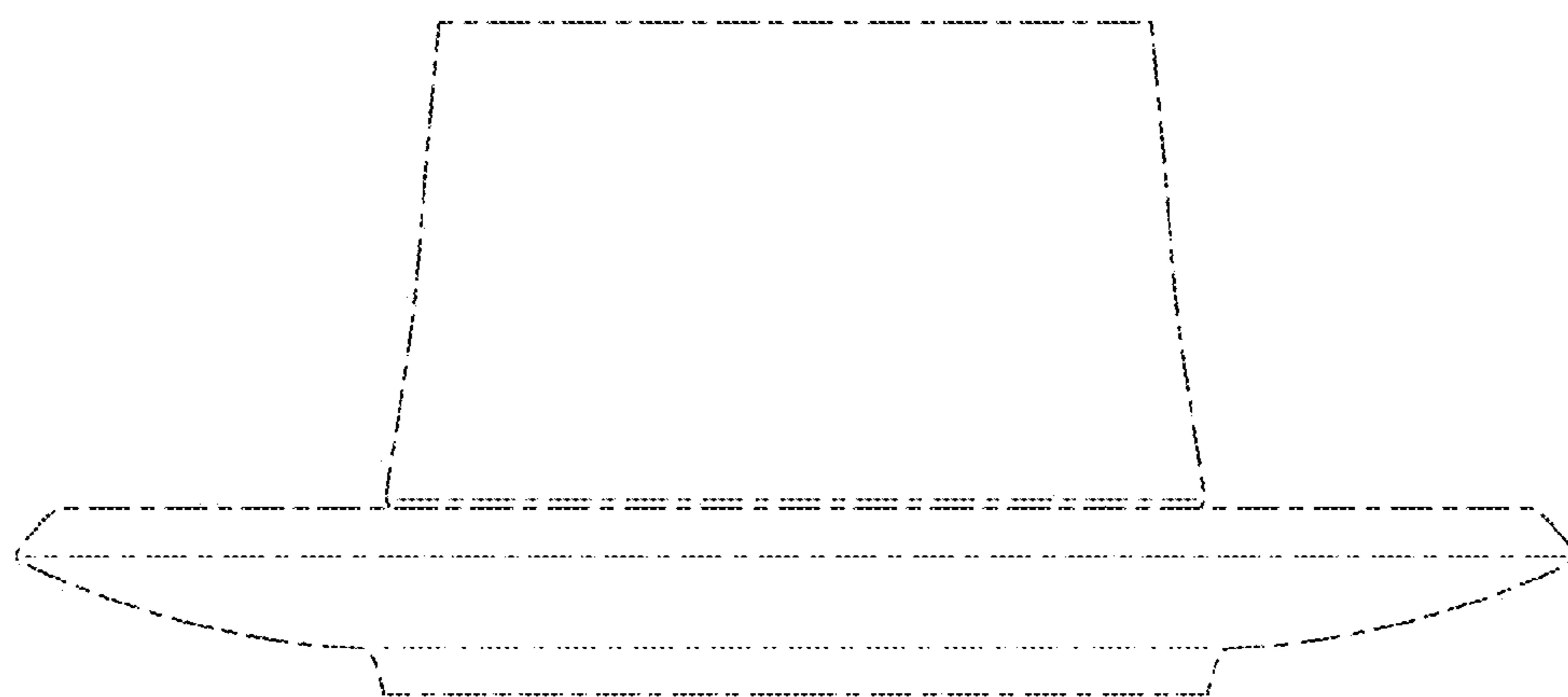


FIG. 11

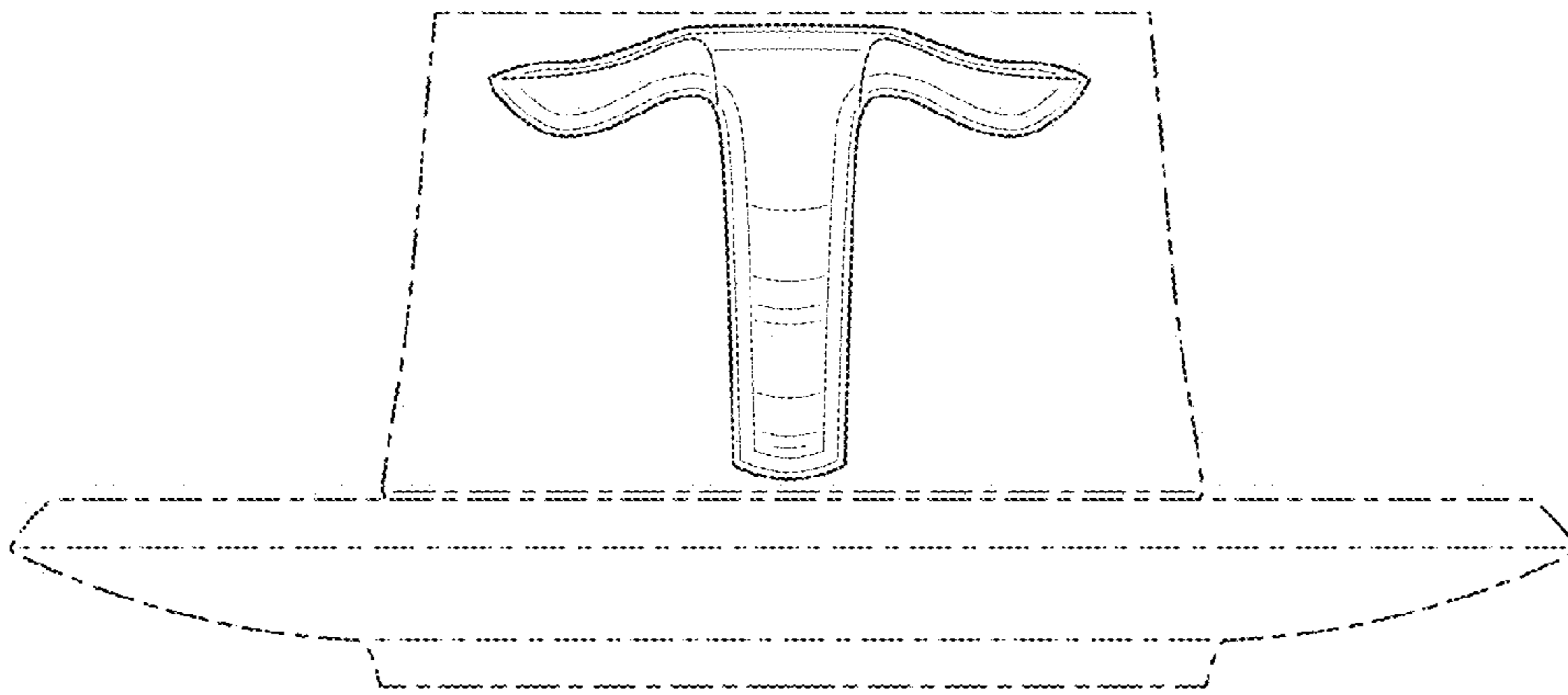


FIG. 12

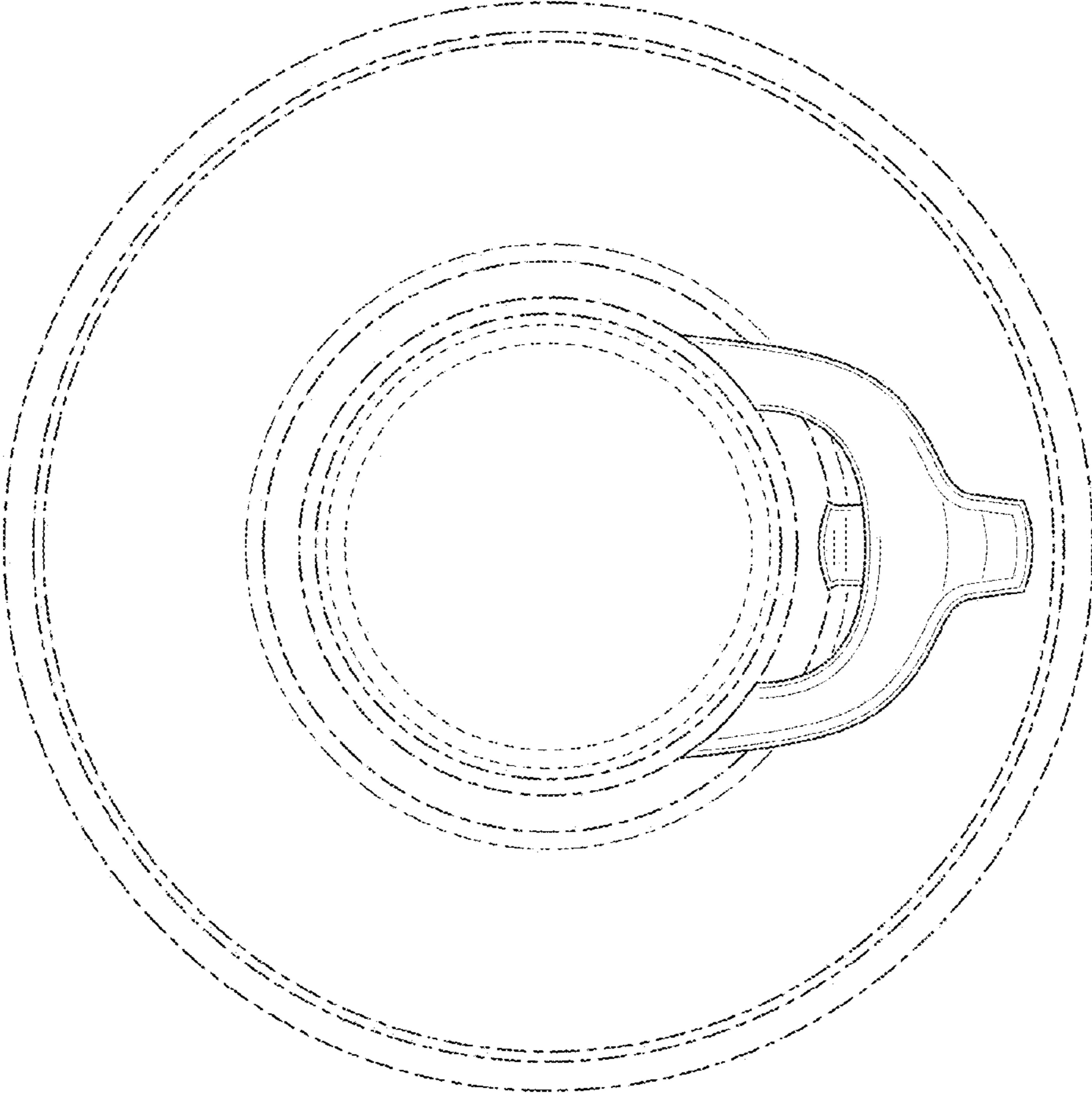


FIG. 13

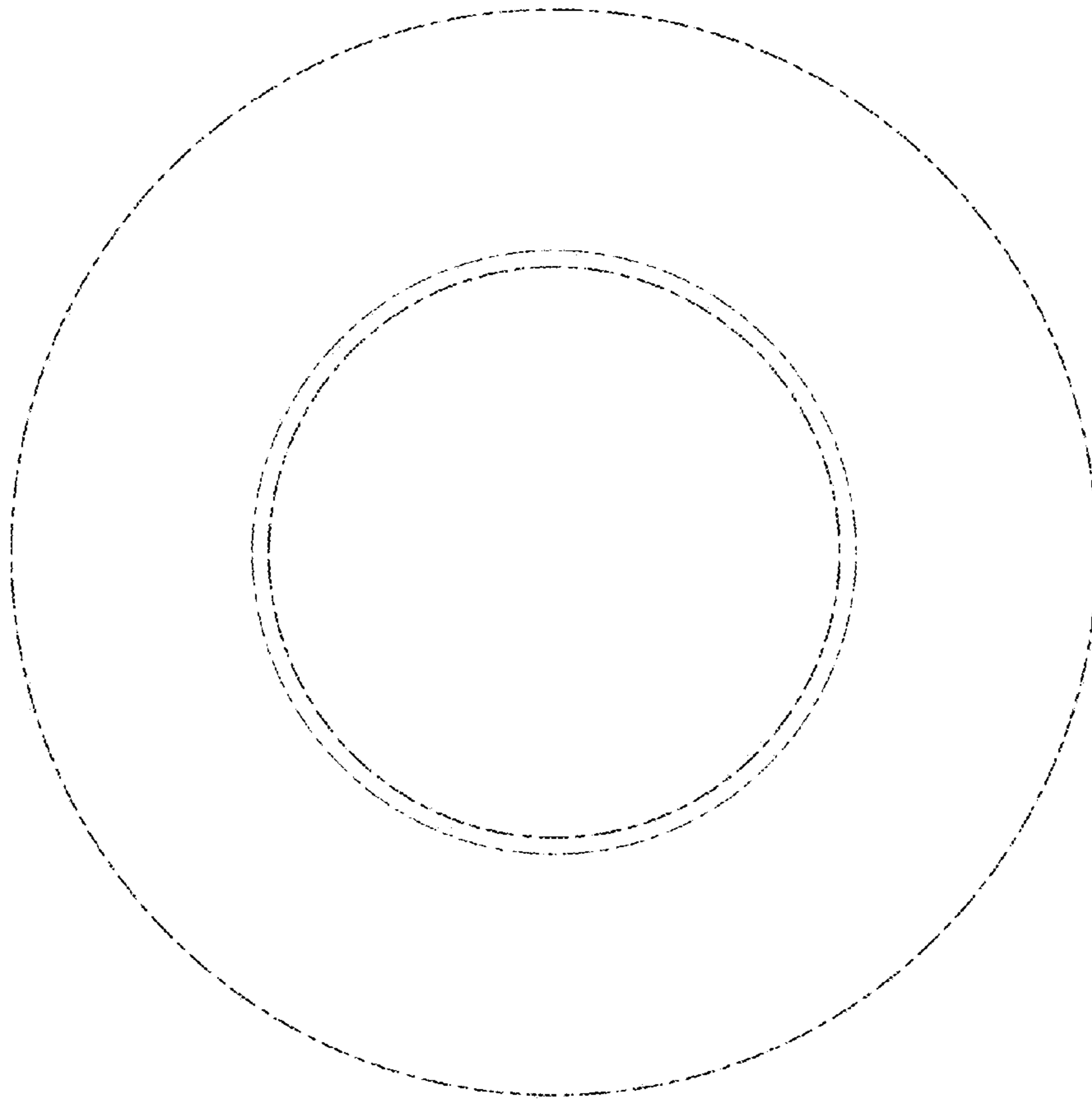


FIG. 14

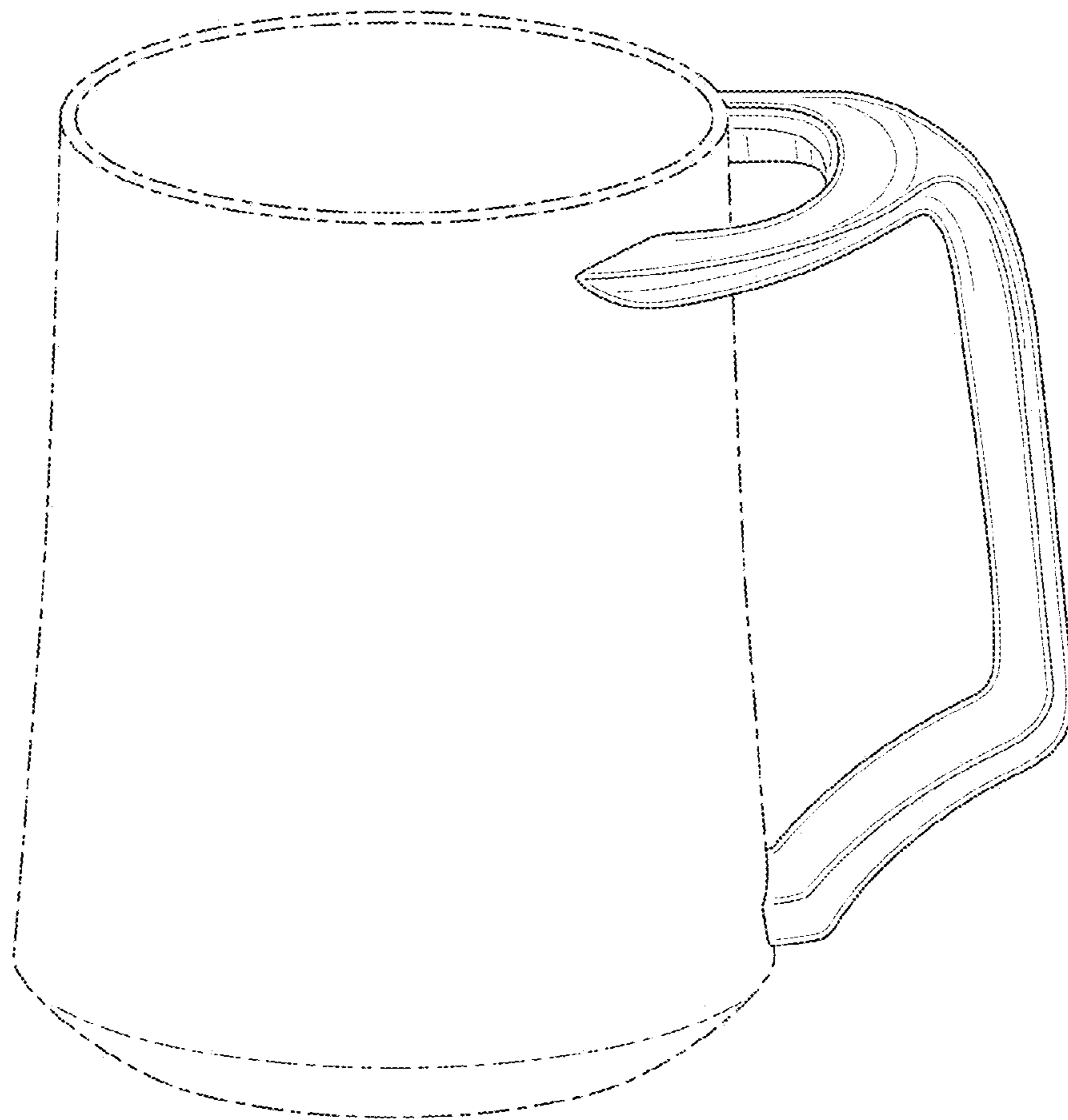


FIG. 15

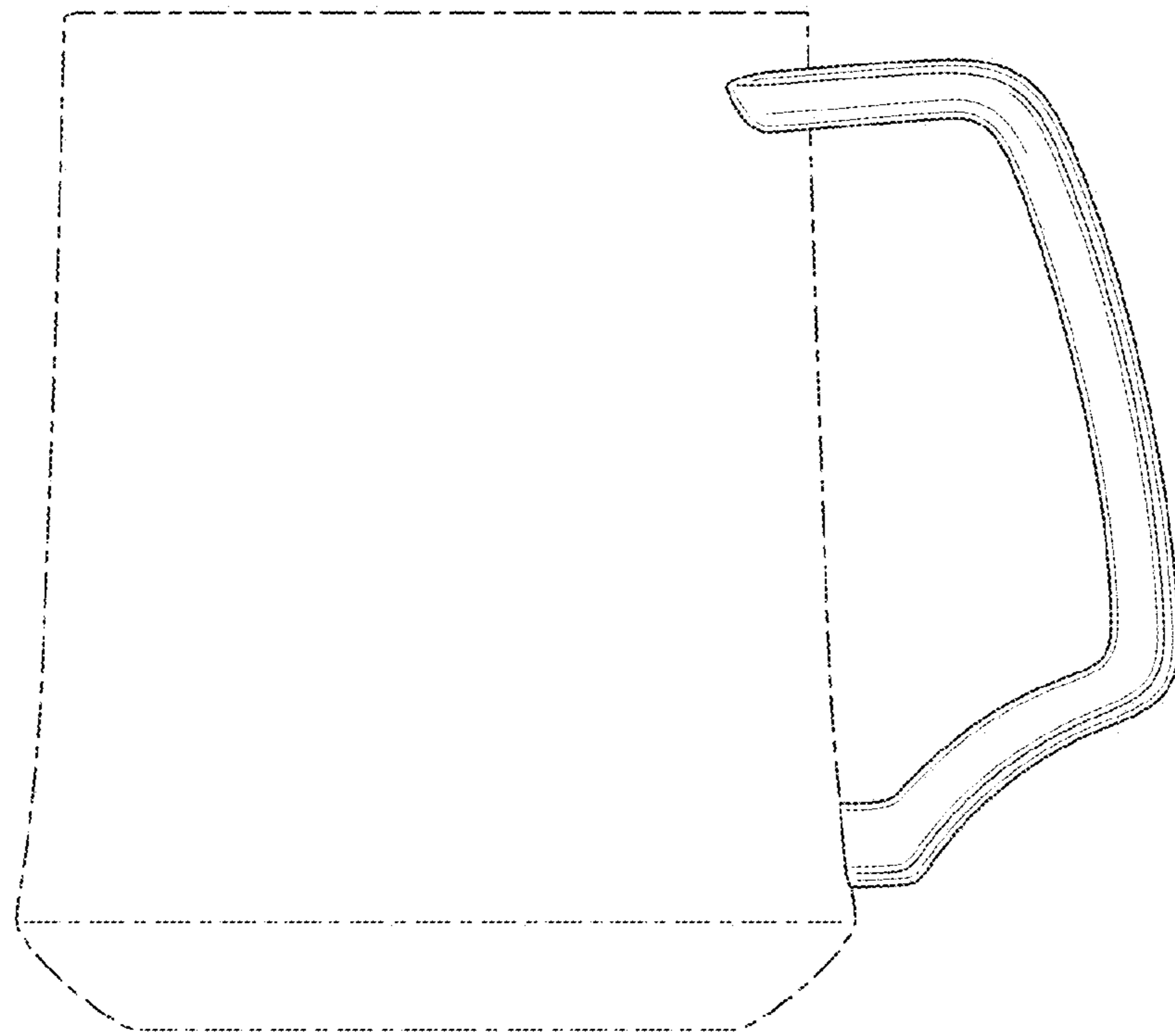


FIG. 16

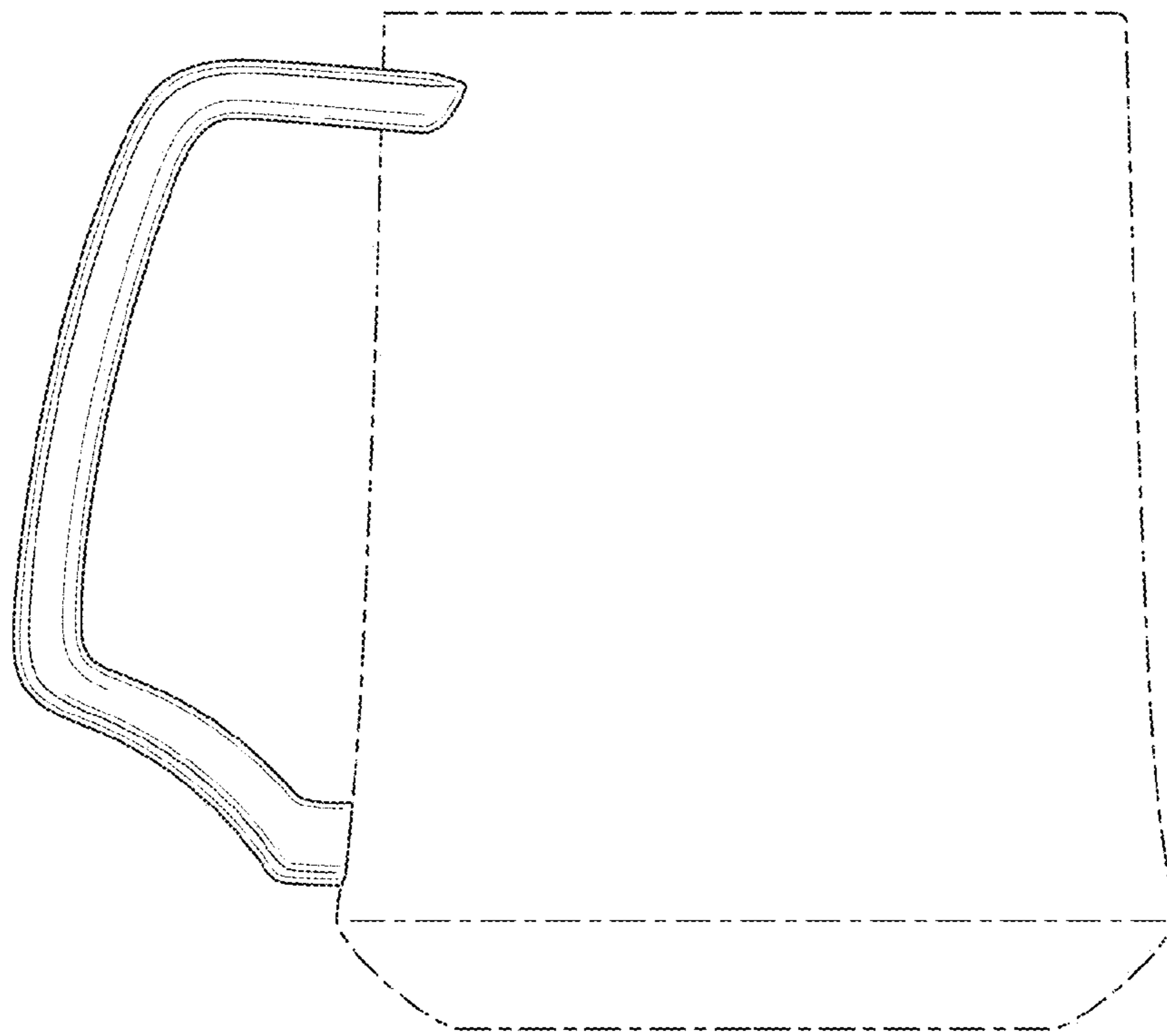


FIG. 17

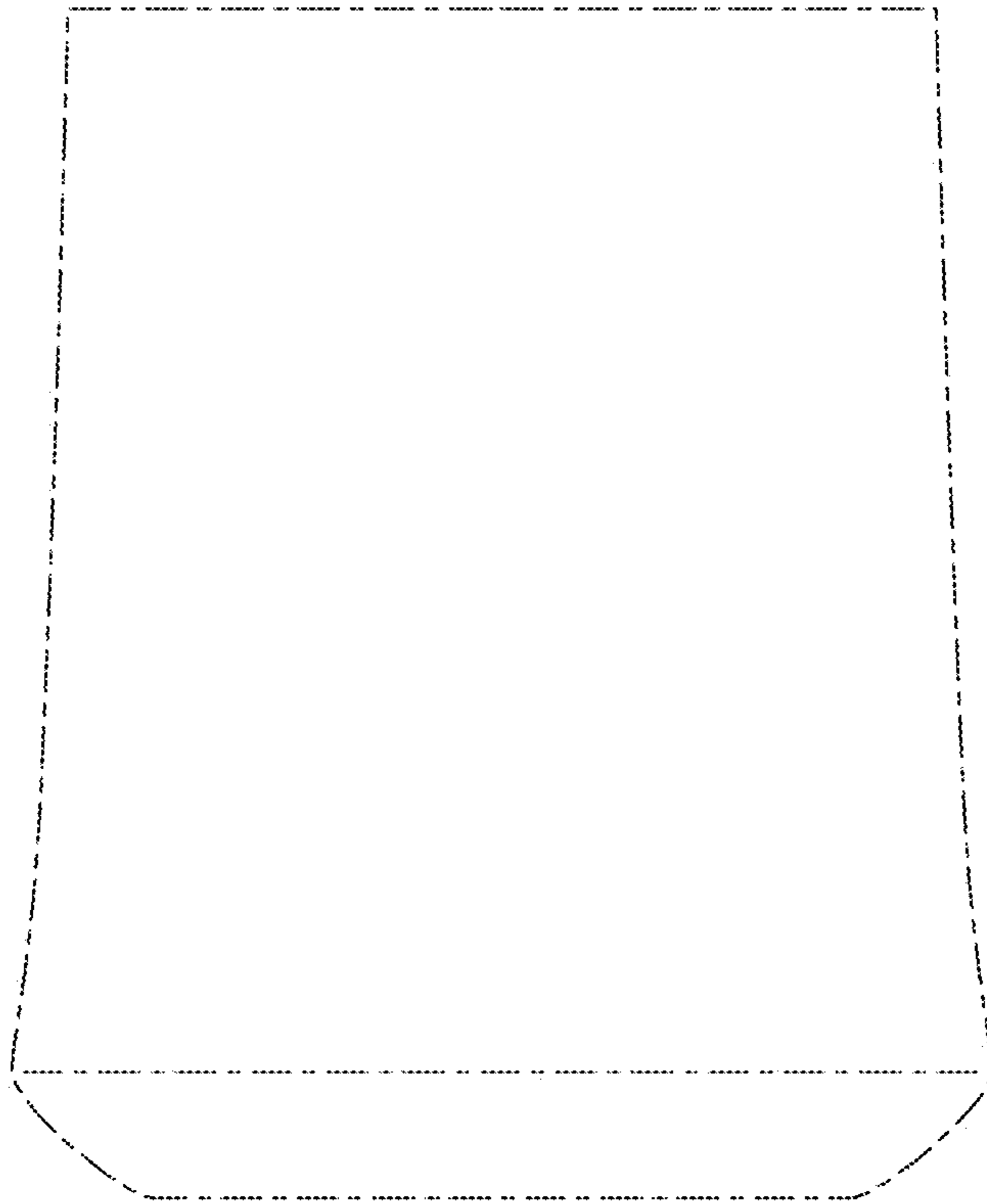


FIG. 18

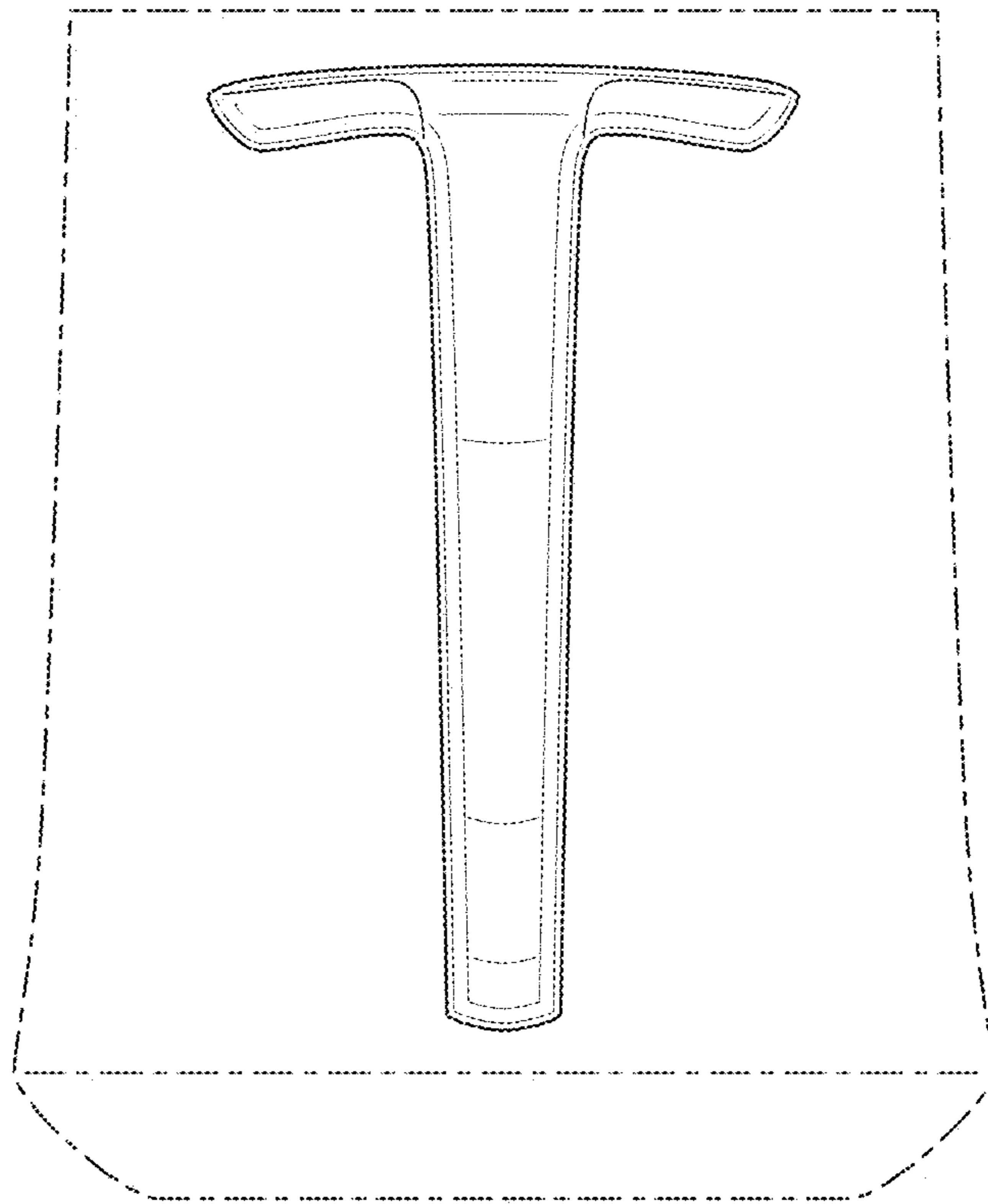


FIG. 19

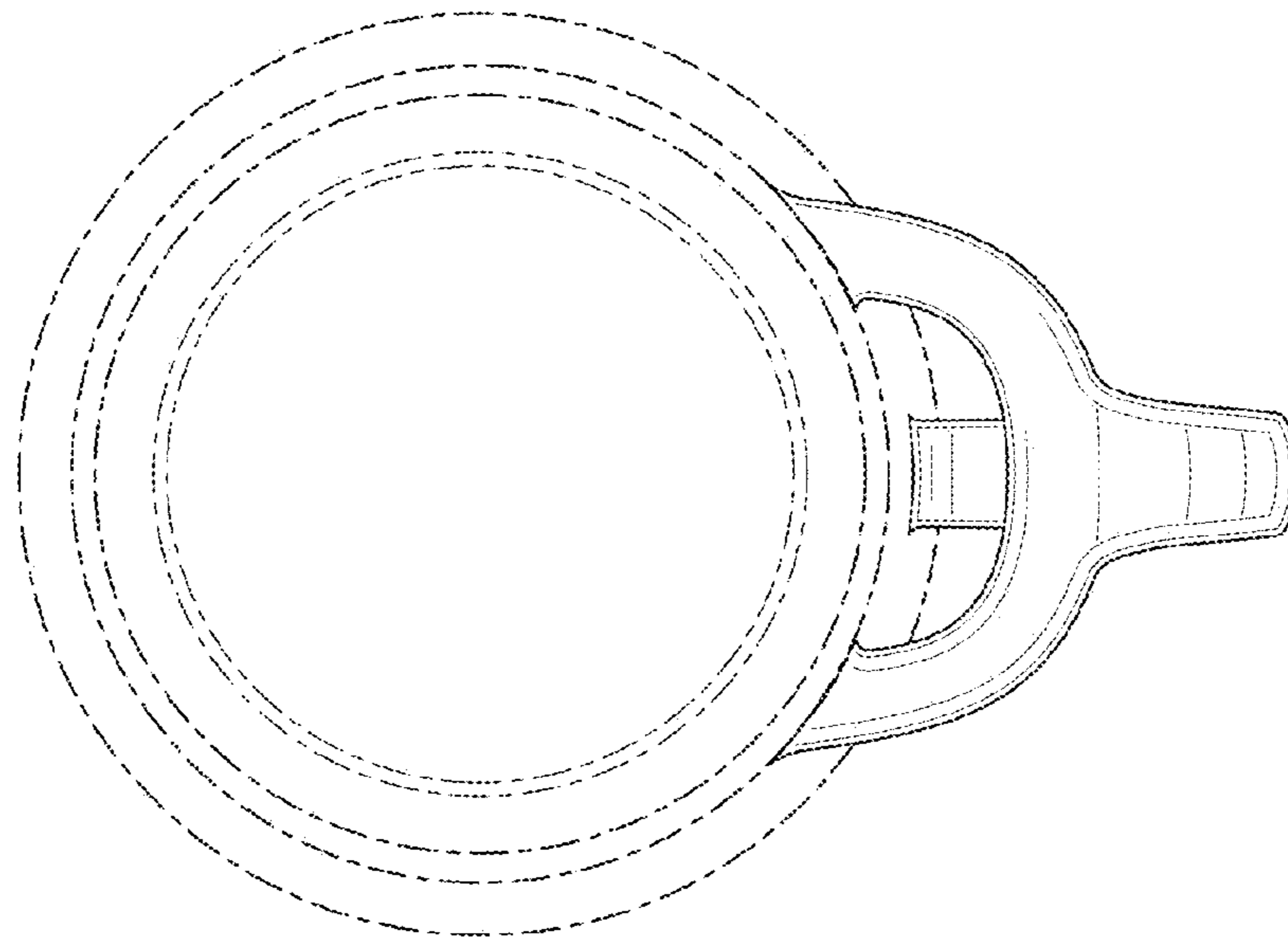


FIG. 20

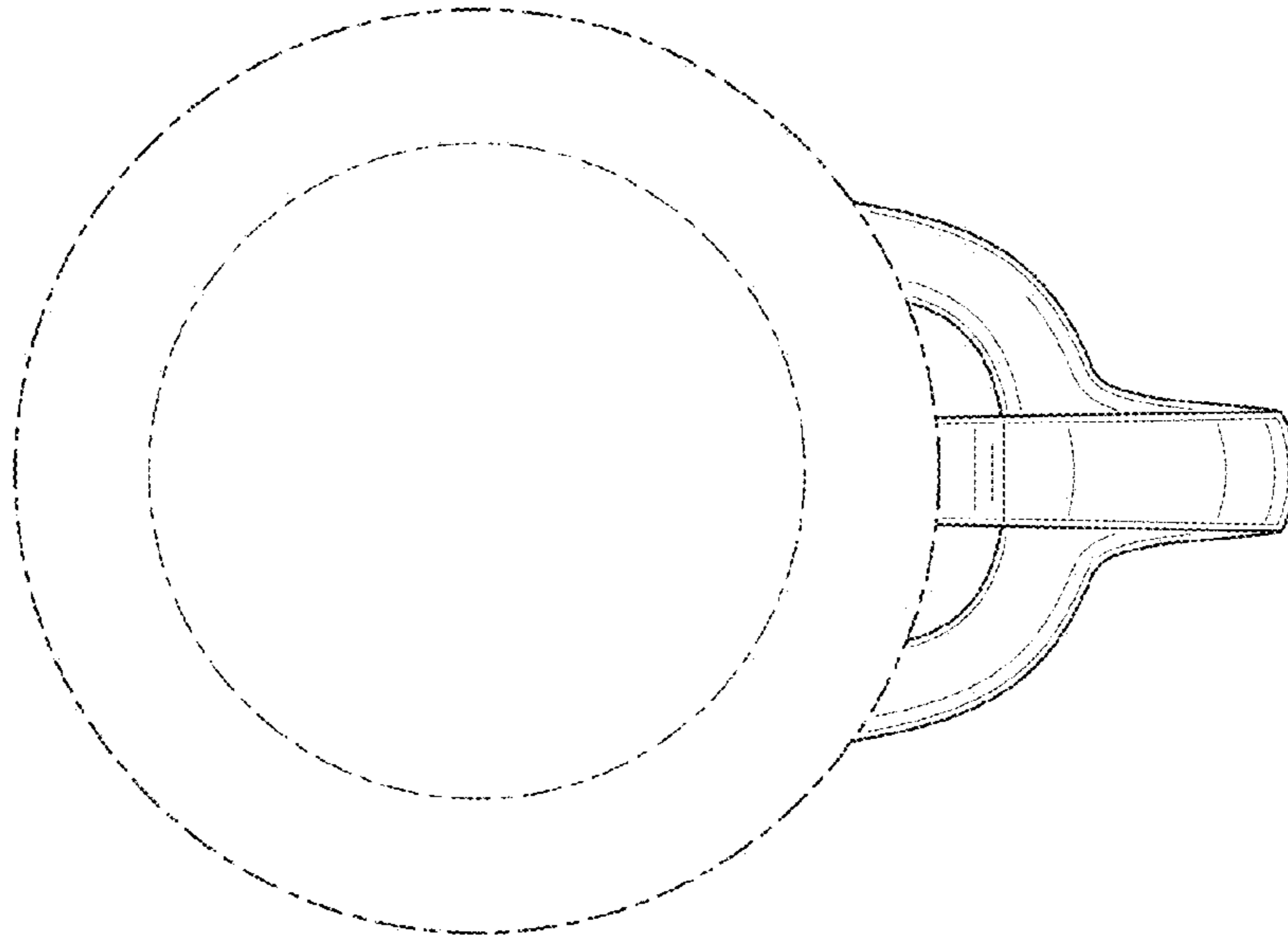


FIG. 21