



US00D724374S

(12) **United States Design Patent**
Sanguinetti

(10) **Patent No.:** **US D724,374 S**
(45) **Date of Patent:** **** Mar. 17, 2015**

(54) **HAND MIXER**

- (71) Applicant: **Electrolux Appliances Aktiebolag**, Stockholm (SE)
- (72) Inventor: **Alejandro Sanguinetti**, Stockholm (SE)
- (73) Assignee: **Electrolux Appliances Aktiebolag**, Stockholm (SE)
- (**) Term: **14 Years**
- (21) Appl. No.: **29/488,701**
- (22) Filed: **Apr. 22, 2014**

(30) **Foreign Application Priority Data**

Oct. 22, 2013 (EM) 002330621

(51) **LOC (10) Cl.** **31-00**

(52) **U.S. Cl.**
USPC **D7/380; D7/376; D7/379; D7/412**

(58) **Field of Classification Search**

CPC A21C 1/02; A21C 1/04; A23N 1/00; A23N 1/02; A47J 43/04; A47J 43/25; A47J 43/27; A47J 43/042; A47J 43/044; A47J 43/046; A47J 43/075; A47J 43/0711; A47J 43/0722; A47J 43/0727; B01F 3/00; B01F 3/0807; B01F 3/0853; B01F 13/0059; B01F 13/0064; B02C 1/08; B02C 2/04; B02C 4/42; B02C 4/142; B02C 4/143; B02C 4/423; B02C 13/1835; B28C 5/10; B28C 5/12; B28C 5/14; B28C 5/16

USPC D7/372, 376-386, 412-413, 602, 629, D7/665-666, 669, 679, 693-694; 99/509-511; 241/92, 98, 241/101.01-101.2, 166-169.1, 274-278.2, 241/285.1-285.3, 291, 292.1; 366/64-65, 366/97-98, 100, 130, 197-201, 205-207, 366/219-220, 341-343

See application file for complete search history.

(56) **References Cited**

U.S. PATENT DOCUMENTS

D361,241 S *	8/1995	Littmann	D7/376
D485,729 S *	1/2004	Patton et al.	D7/379
D506,102 S *	6/2005	Ikegaki	D7/379
D534,032 S *	12/2006	Lloyd	D7/380
D614,438 S *	4/2010	Fukasawa	D7/376
D623,009 S *	9/2010	Bodum	D7/376
D638,656 S *	5/2011	Brinckerhoff et al.	D7/376
D644,479 S *	9/2011	Lownds et al.	D7/379
D651,846 S *	1/2012	Roseby et al.	D7/380
D667,682 S *	9/2012	Agren	D7/380
D681,391 S *	5/2013	Agren	D7/380
D691,412 S *	10/2013	Ragot	D7/379
2005/0078549 A1 *	4/2005	Hamelin	366/129

* cited by examiner

Primary Examiner — Ricky Pham

(74) *Attorney, Agent, or Firm* — Banner & Witcoff, Ltd.

(57) **CLAIM**

The ornamental design for a hand mixer, as shown and described.

DESCRIPTION

FIG. 1 is a perspective view of a first embodiment of a hand mixer showing my new design with a cord and a fastening element;

FIG. 2 is an enlarged top view thereof;

FIG. 3 is a front view thereof;

FIG. 4 is a right side view thereof;

FIG. 5 is a left side view thereof;

FIG. 6 is a rear view thereof;

FIG. 7 is an enlarged bottom view thereof;

FIG. 8 is a perspective view of a second embodiment of a hand mixer showing my new design without the cord and fastening element of FIGS. 1-7;

FIG. 9 is an enlarged top view thereof;

FIG. 10 is a front view thereof;

FIG. 11 is a right side view thereof;

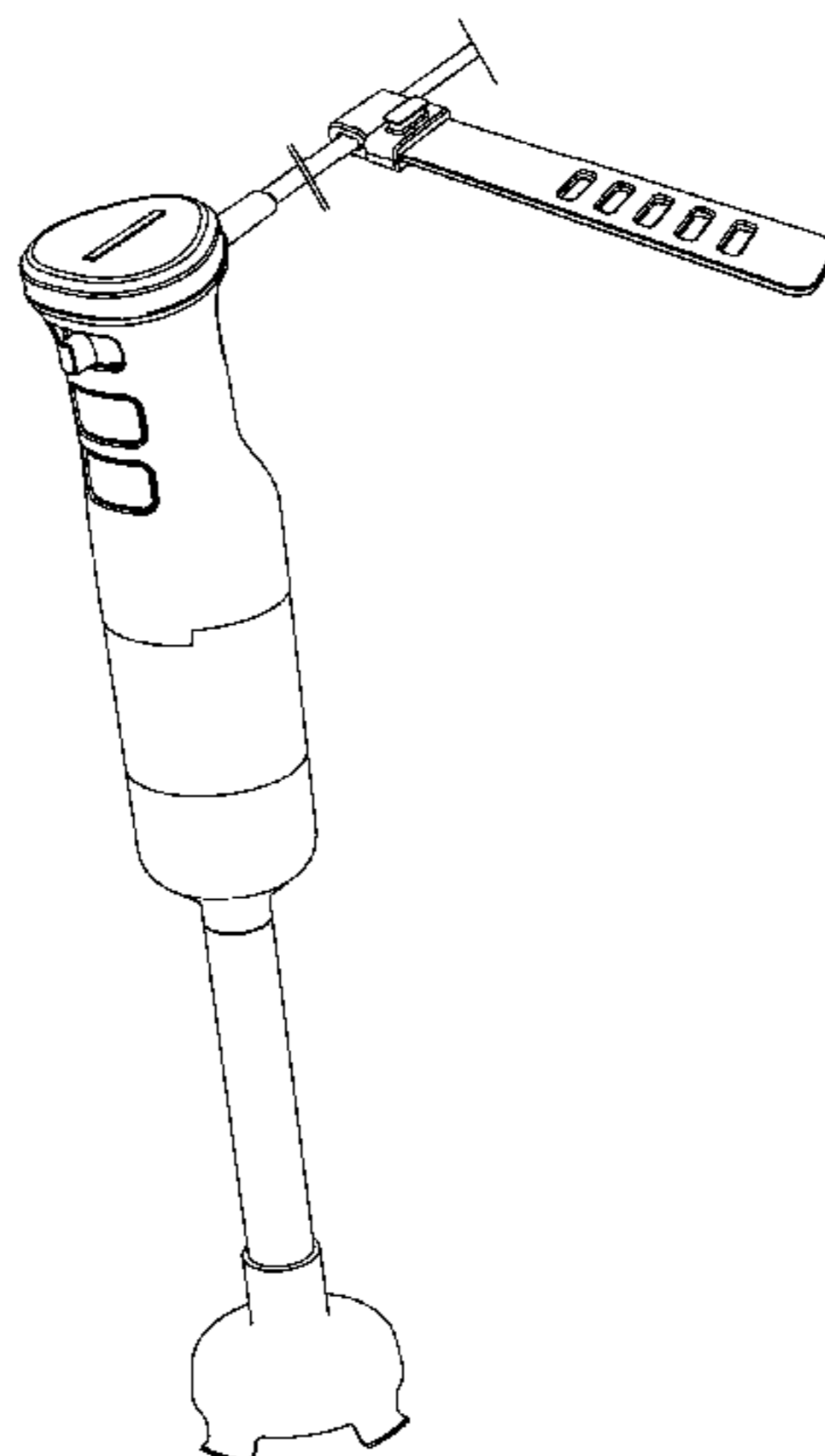
FIG. 12 is a left side view thereof;

FIG. 13 is a rear view thereof; and,

FIG. 14 is an enlarged bottom view thereof.

The lines intersecting the cord are representative of indeterminate length.

1 Claim, 14 Drawing Sheets



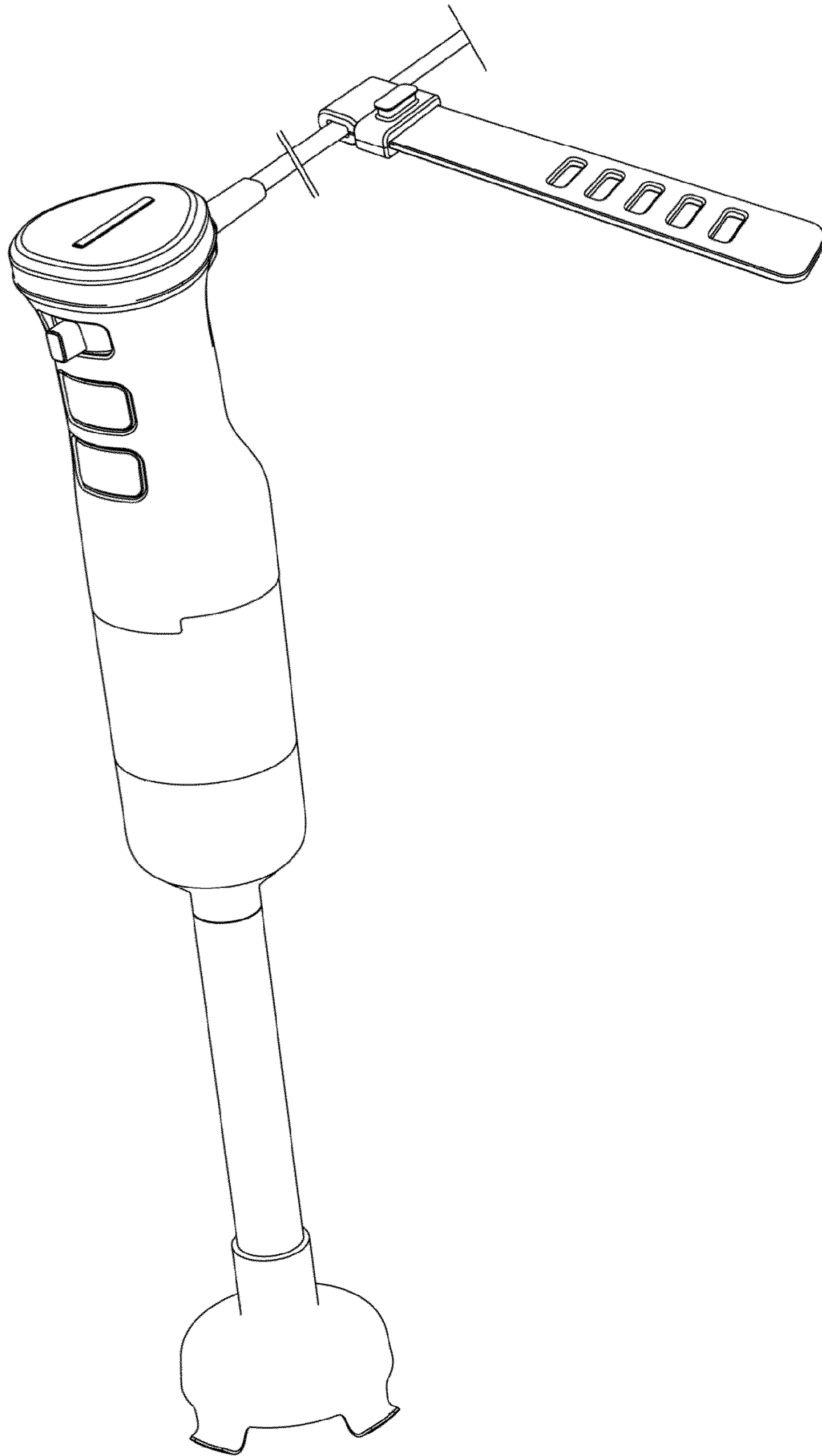


FIG. 1

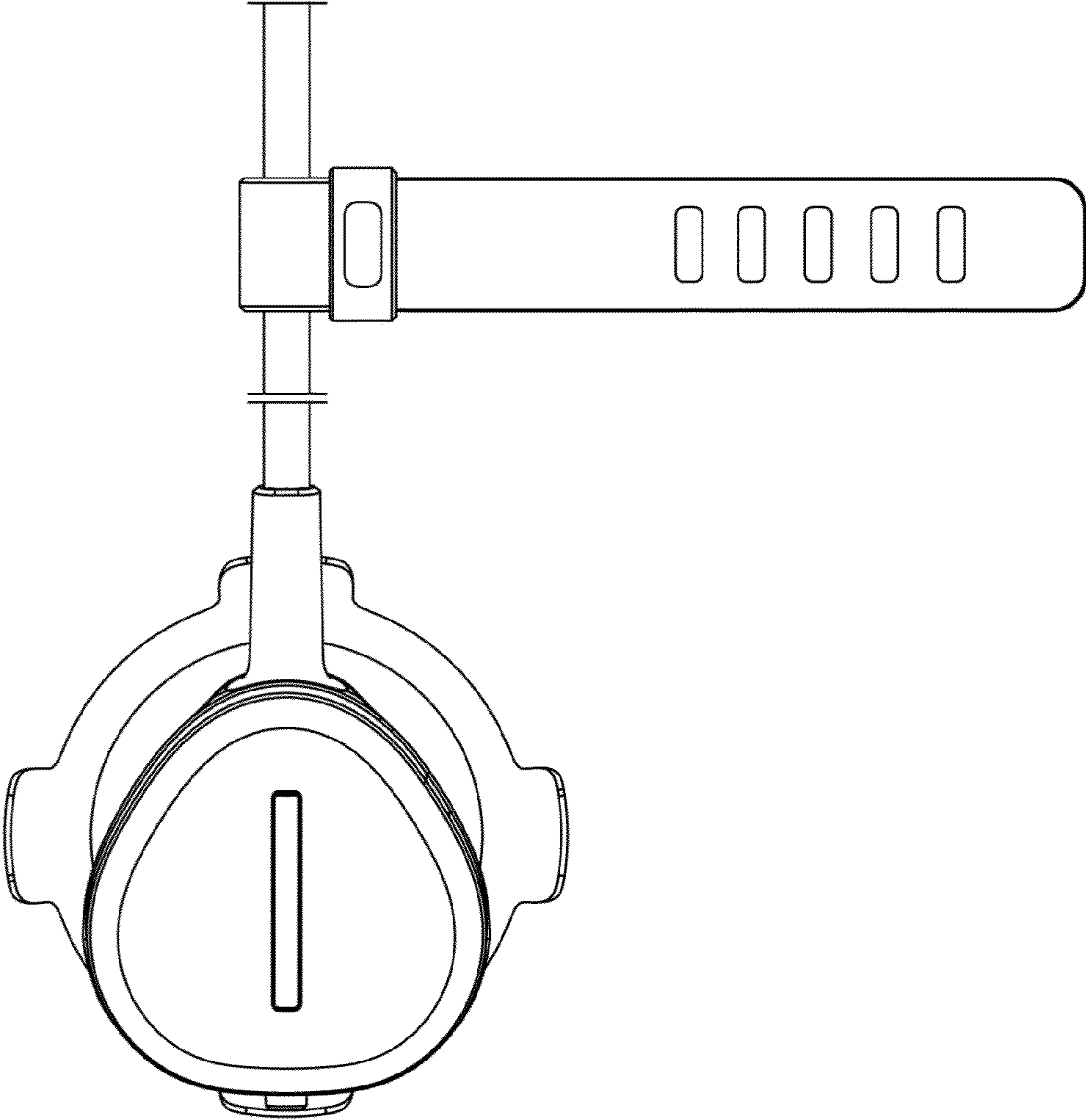


FIG. 2

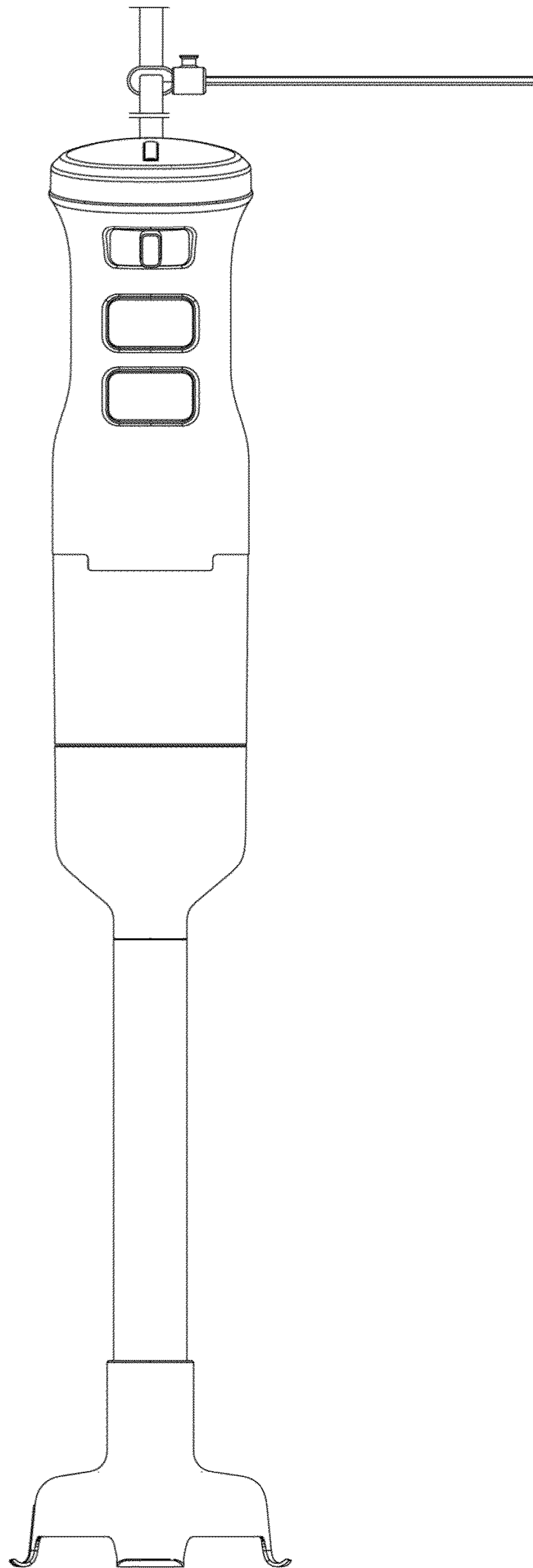


FIG. 3

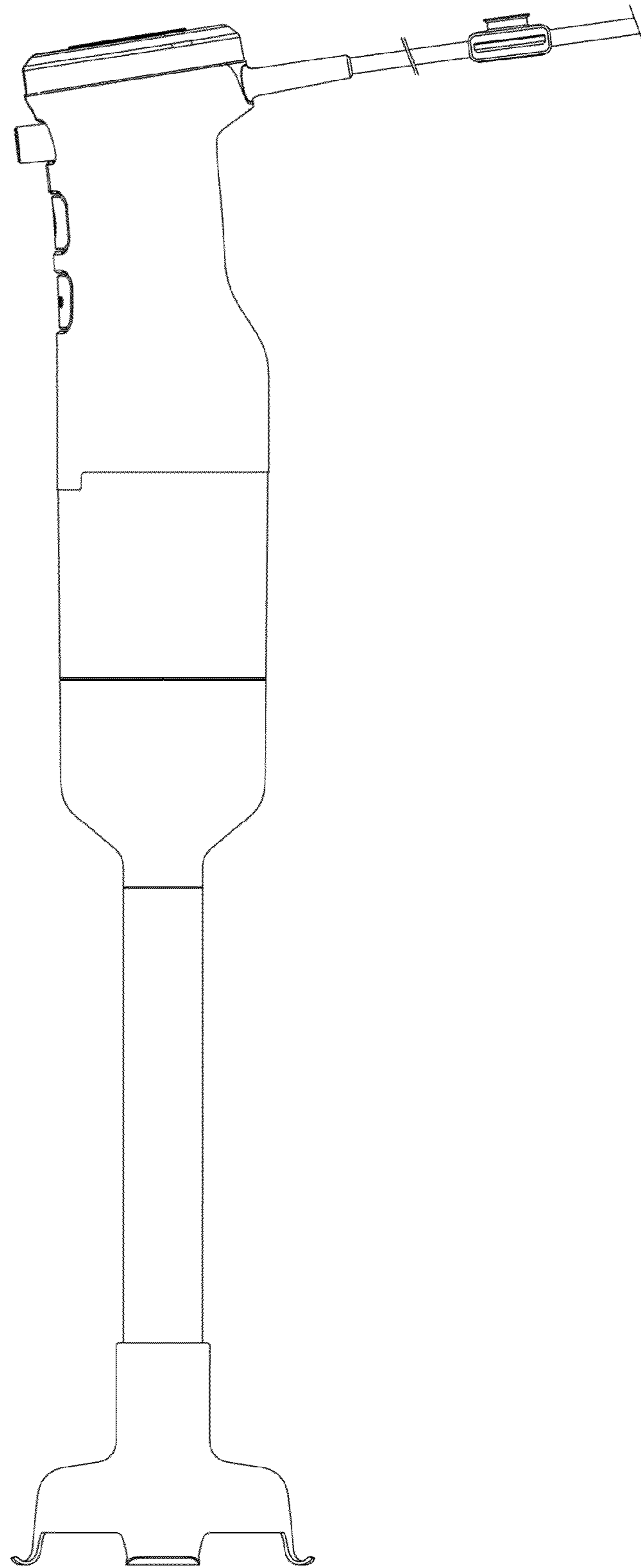


FIG. 4

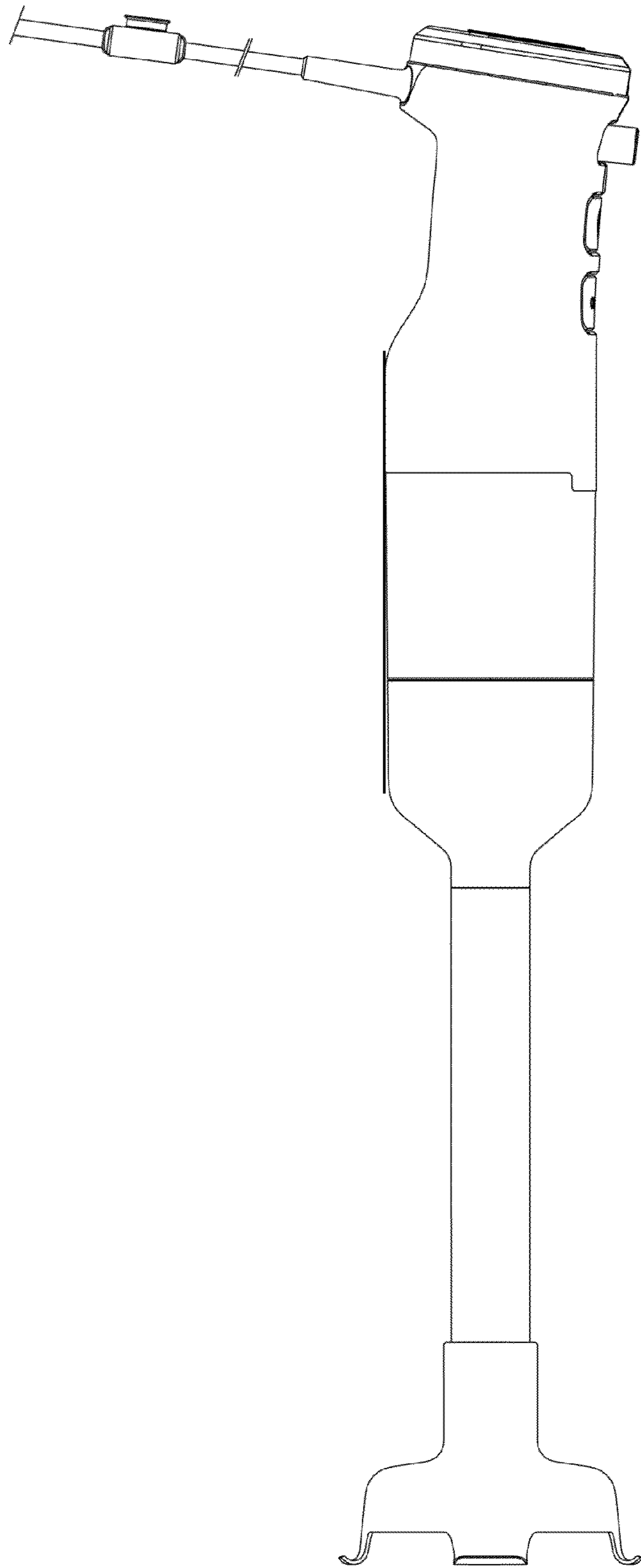


FIG. 5

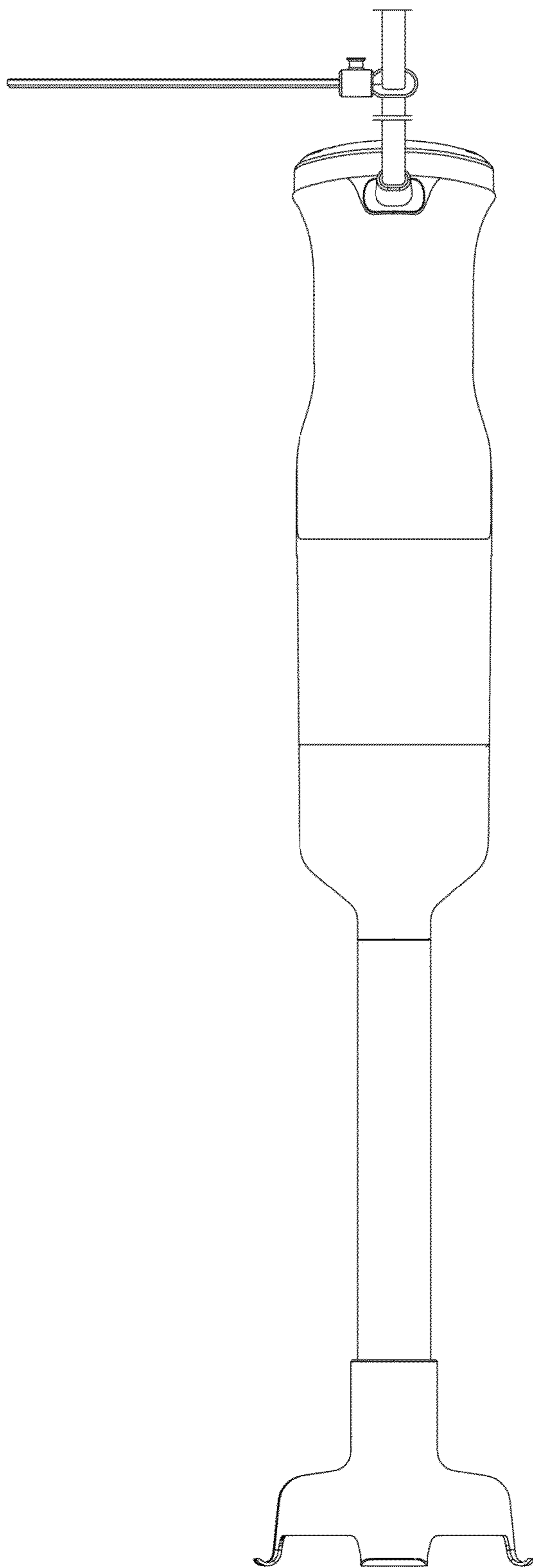


FIG. 6

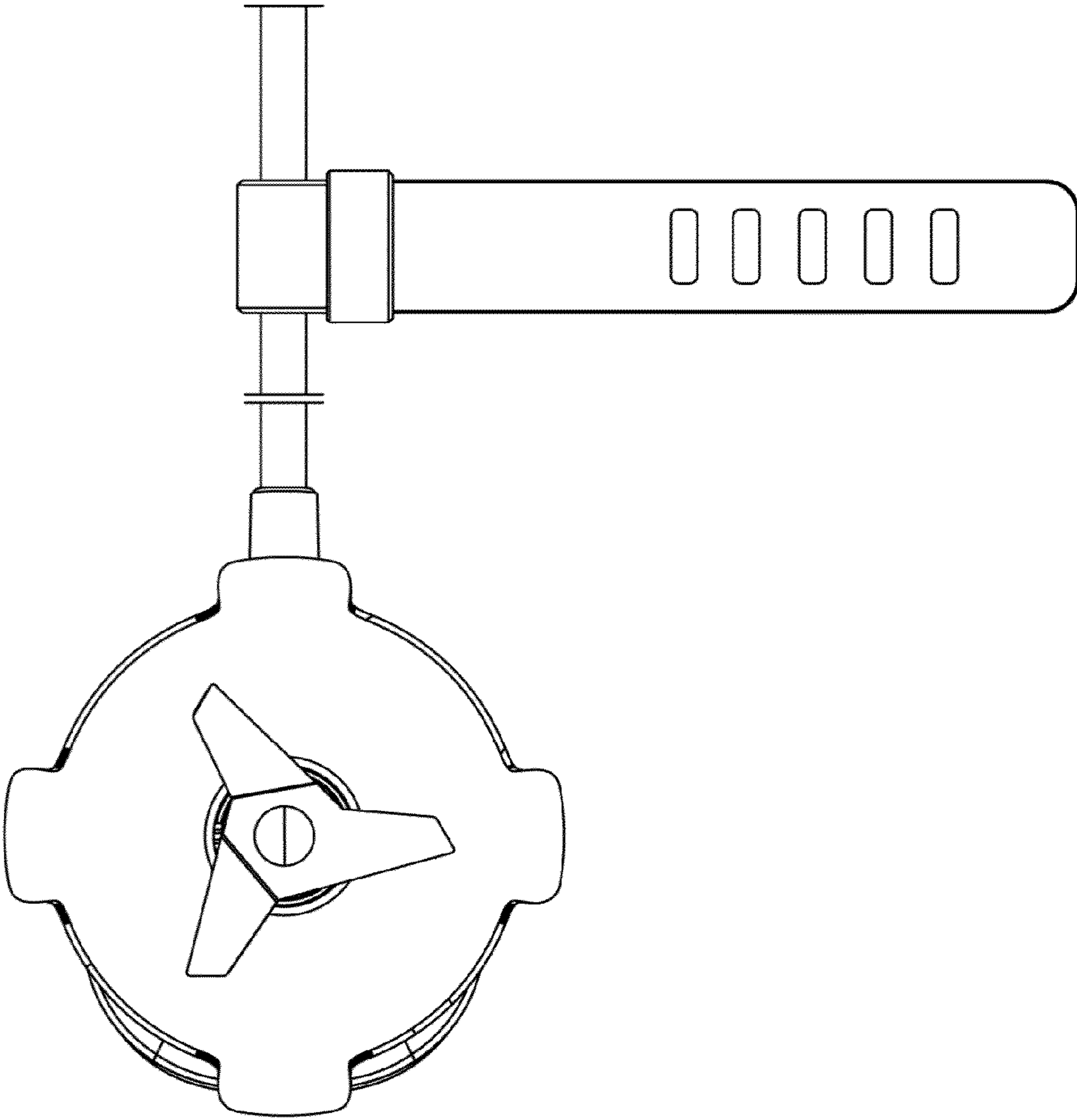


FIG. 7

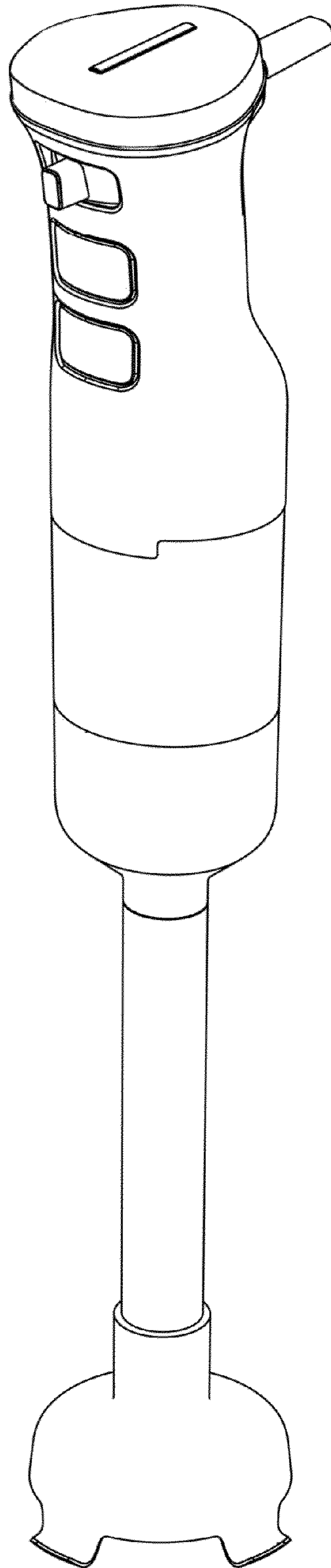


FIG. 8

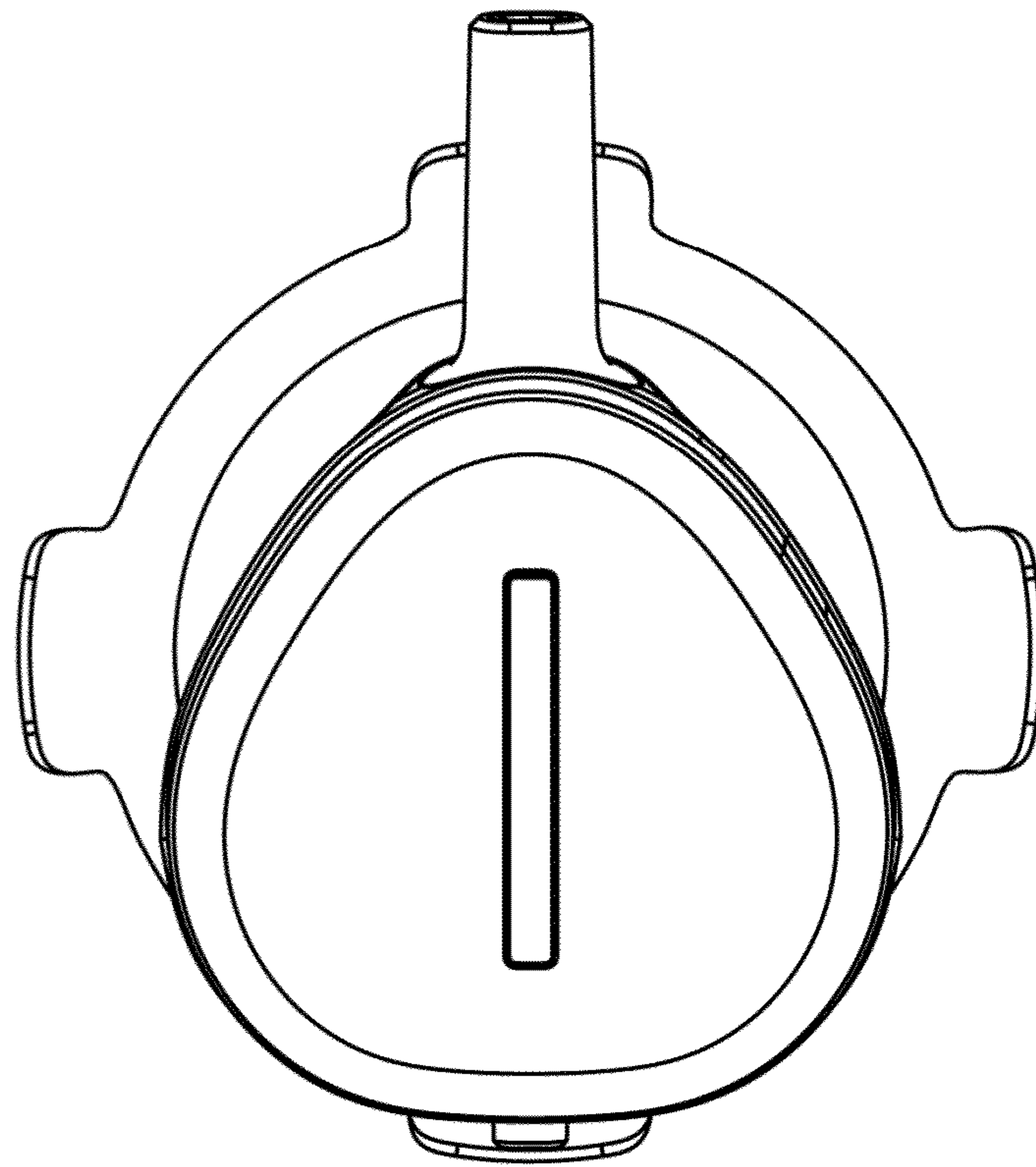


FIG. 9

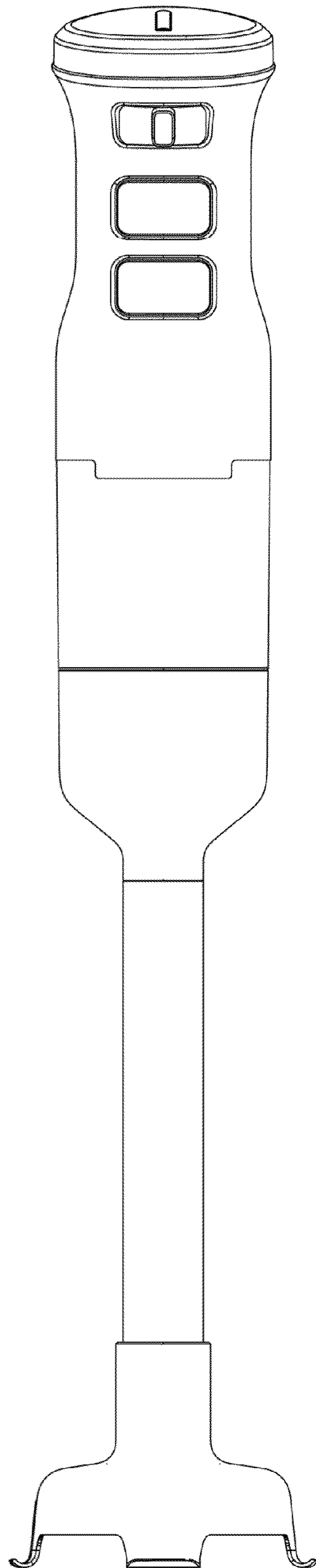


FIG. 10

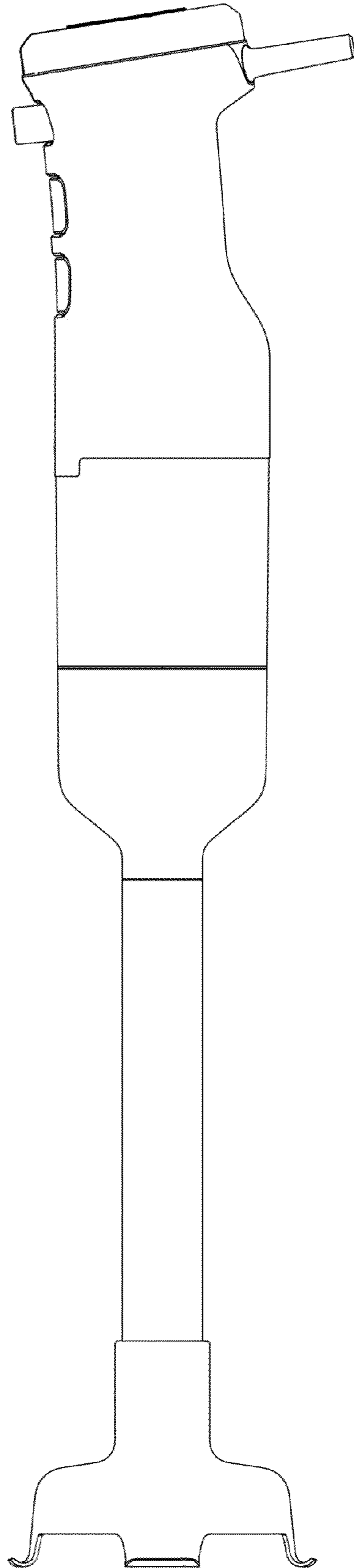


FIG. 11

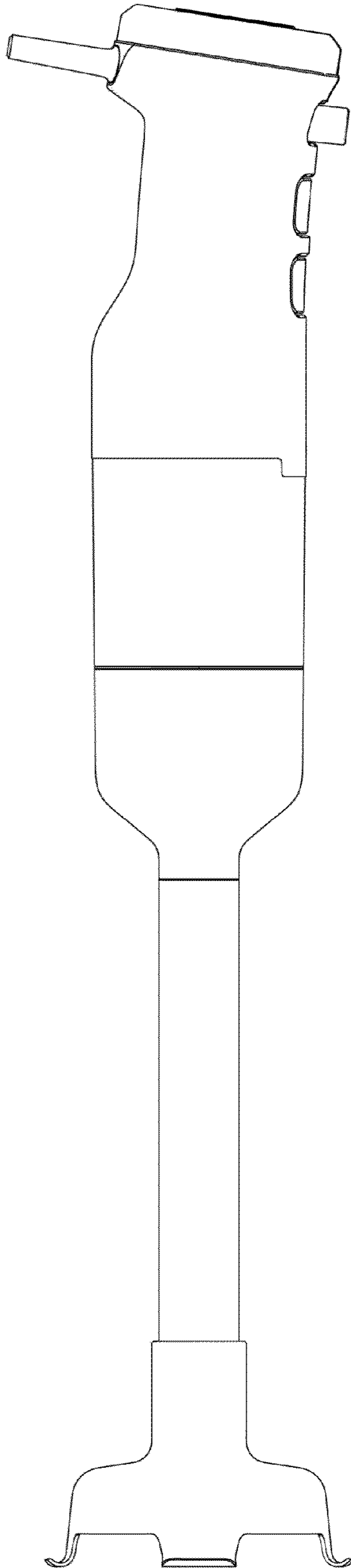


FIG. 12

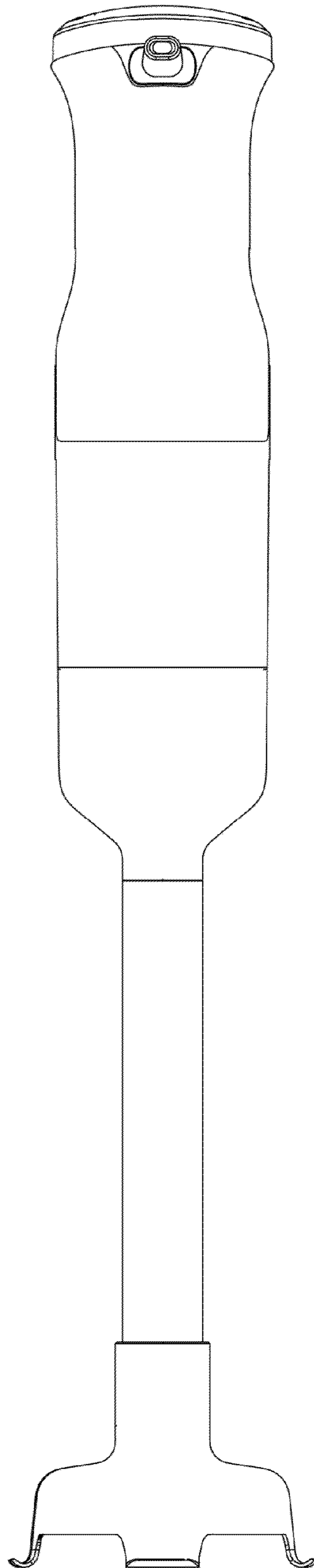


FIG. 13

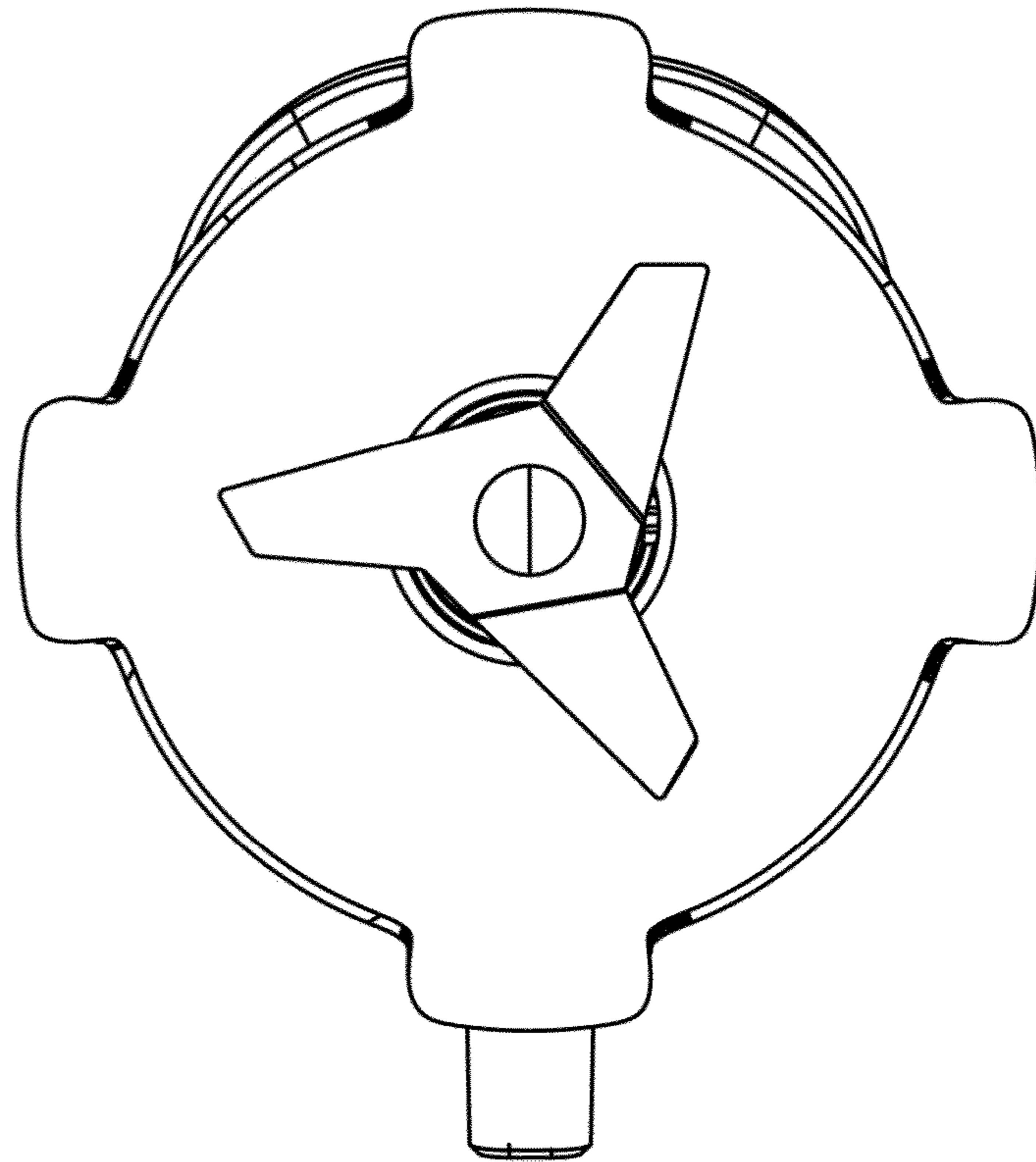


FIG. 14