



US00D724373S

(12) **United States Design Patent**  
**Jl**

(10) **Patent No.:** **US D724,373 S**

(45) **Date of Patent:** **\*\* Mar. 17, 2015**

(54) **HAND MIXER**

(56) **References Cited**

(71) Applicant: **Electrolux Appliances Aktiebolaget,**  
Stockholm (SE)

U.S. PATENT DOCUMENTS

(72) Inventor: **Lei Ji,** Stockholm (SE)

D361,241 S *	8/1995	Littmann .....	D7/376
D485,729 S *	1/2004	Patton et al. ....	D7/379
D506,102 S *	6/2005	Ikegaki .....	D7/379
D534,032 S *	12/2006	Lloyd .....	D7/380
D614,438 S *	4/2010	Fukasawa .....	D7/376
D623,009 S *	9/2010	Bodum .....	D7/376
D638,656 S *	5/2011	Brinckerhoff et al. ....	D7/376

(73) Assignee: **Electrolux Appliances Aktiebolag,**  
Stockholm (SE)

(Continued)

(\*\*) Term: **14 Years**

*Primary Examiner* — Ricky Pham

(74) *Attorney, Agent, or Firm* — Banner & Witcoff, Ltd.

(21) Appl. No.: **29/485,879**

(57) **CLAIM**

The ornamental design for a hand mixer, as shown and described.

(22) Filed: **Mar. 24, 2014**

**DESCRIPTION**

(30) **Foreign Application Priority Data**

Sep. 24, 2013 (EM) ..... 002314492

(51) **LOC (10) Cl.** ..... **31-00**

(52) **U.S. Cl.**  
USPC ..... **D7/380; D7/376; D7/379; D7/412**

(58) **Field of Classification Search**  
CPC ..... A21C 1/02; A21C 1/04; A23N 1/00;  
A23N 1/02; A47J 43/04; A47J 43/25; A47J  
43/27; A47J 43/042; A47J 43/044; A47J  
43/046; A47J 43/075; A47J 43/0711; A47J  
43/0722; A47J 43/0727; B01F 3/00; B01F  
3/0807; B01F 3/0853; B01F 13/0059; B01F  
13/0064; B02C 1/08; B02C 2/04; B02C 4/42;  
B02C 4/142; B02C 4/143; B02C 4/423;  
B02C 13/1835; B28C 5/10; B28C 5/12;  
B28C 5/14; B28C 5/16  
USPC ..... D7/372, 376–386, 412–413, 602, 629,  
D7/665–666, 669, 679, 693–694;  
99/509–511; 241/92, 98,  
241/101.01–101.2, 166–169.1, 274–278.2,  
241/285.1–285.3, 291, 292.1; 366/64–65,  
366/97–98, 100, 130, 197–201, 205–207,  
366/219–220, 341–343

See application file for complete search history.

FIG. 1 is a perspective view of a hand mixer showing my new design;

FIG. 2 is a left side view thereof;

FIG. 3 is a front view thereof;

FIG. 4 is a right side view thereof;

FIG. 5 is a rear view thereof;

FIG. 6 is a top plan view thereof; and,

FIG. 7 is a bottom view thereof.

Applicant specifically recognizes design inventive aspects associated in the hand mixer design in the figures in both its overall appearance as well as in its portions, and reserves the right to claim and disclaim portions thereof in this application and in continuation applications. In one of many aspects, Applicant recognizes inventive aspects reside in the handle portion and the blade attachment portion in combination, in the handle portion itself, in the blade attachment portion itself, and in portions of both (alone or in combination) and reserves the right to present claims to such design scopes. Applicant further recognizes other design inventive aspects associated with the hand mixer and reserves the right to disclaim various features including but not limited to, the control buttons, the extending cord portion, and the rotary chopping element.

**1 Claim, 7 Drawing Sheets**



(56)

**References Cited**

U.S. PATENT DOCUMENTS

D644,479 S \* 9/2011 Lownds et al. .... D7/379  
D651,846 S \* 1/2012 Roseby et al. .... D7/380  
D667,682 S \* 9/2012 Agren ..... D7/380

D681,391 S \* 5/2013 Agren ..... D7/380  
D691,412 S \* 10/2013 Ragot ..... D7/379  
2005/0078549 A1\* 4/2005 Hamelin ..... 366/129

\* cited by examiner

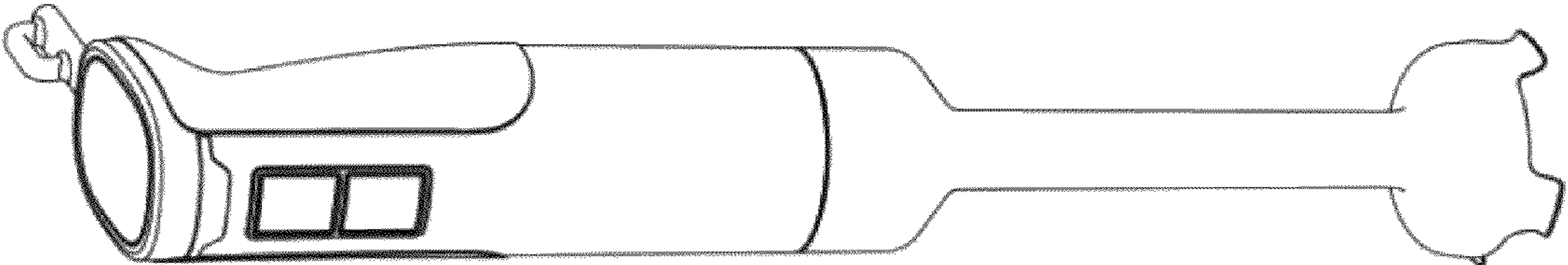


FIG. 1

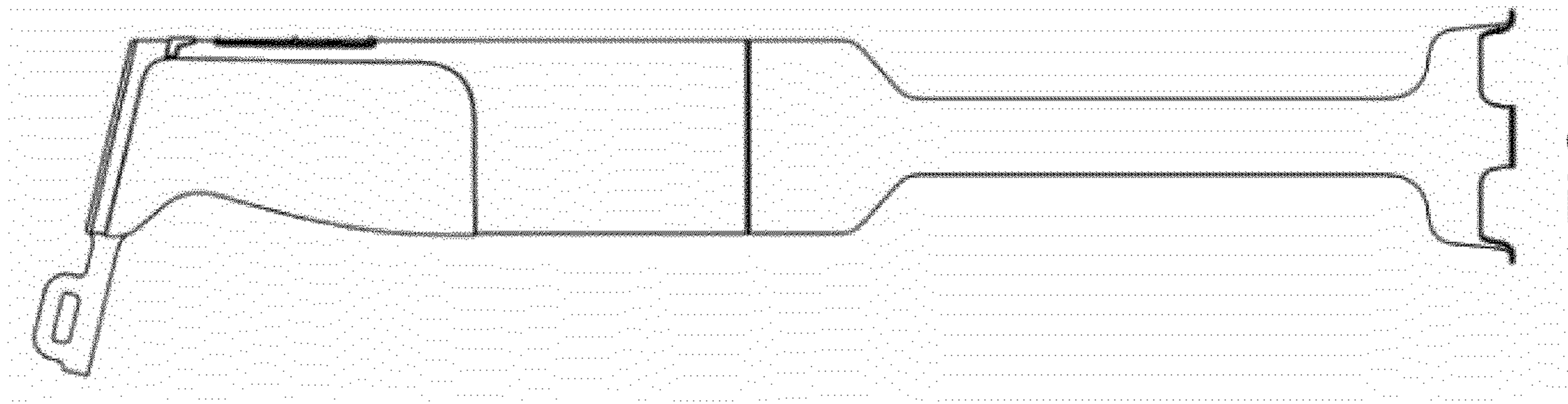


FIG. 2

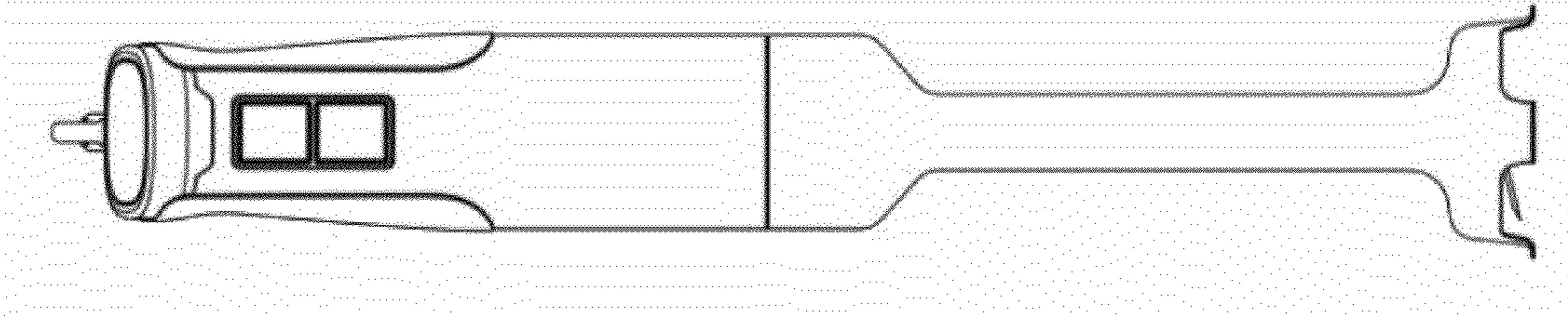


FIG. 3

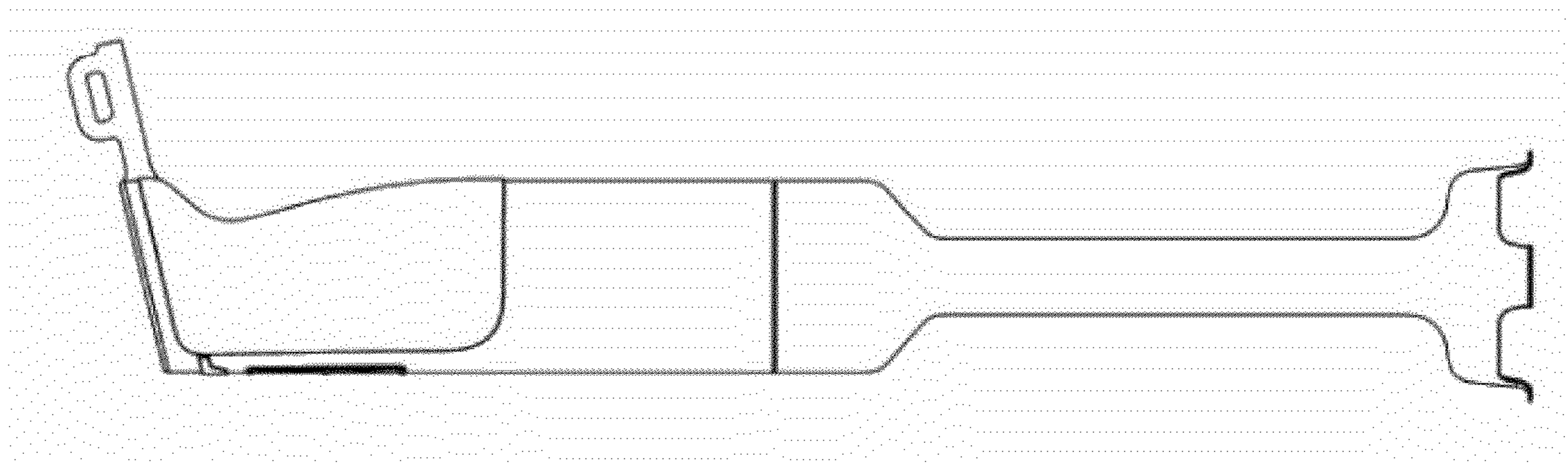


FIG. 4

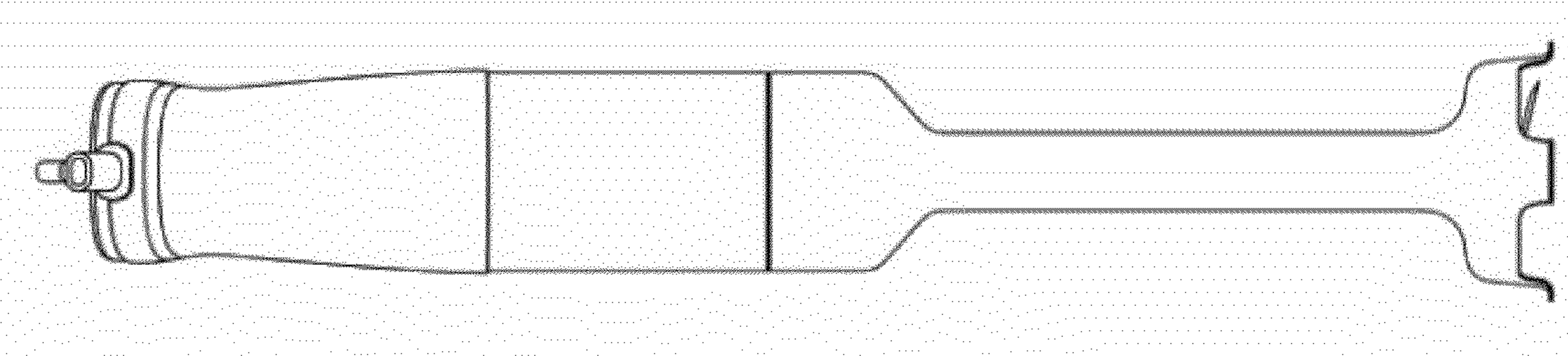


FIG. 5

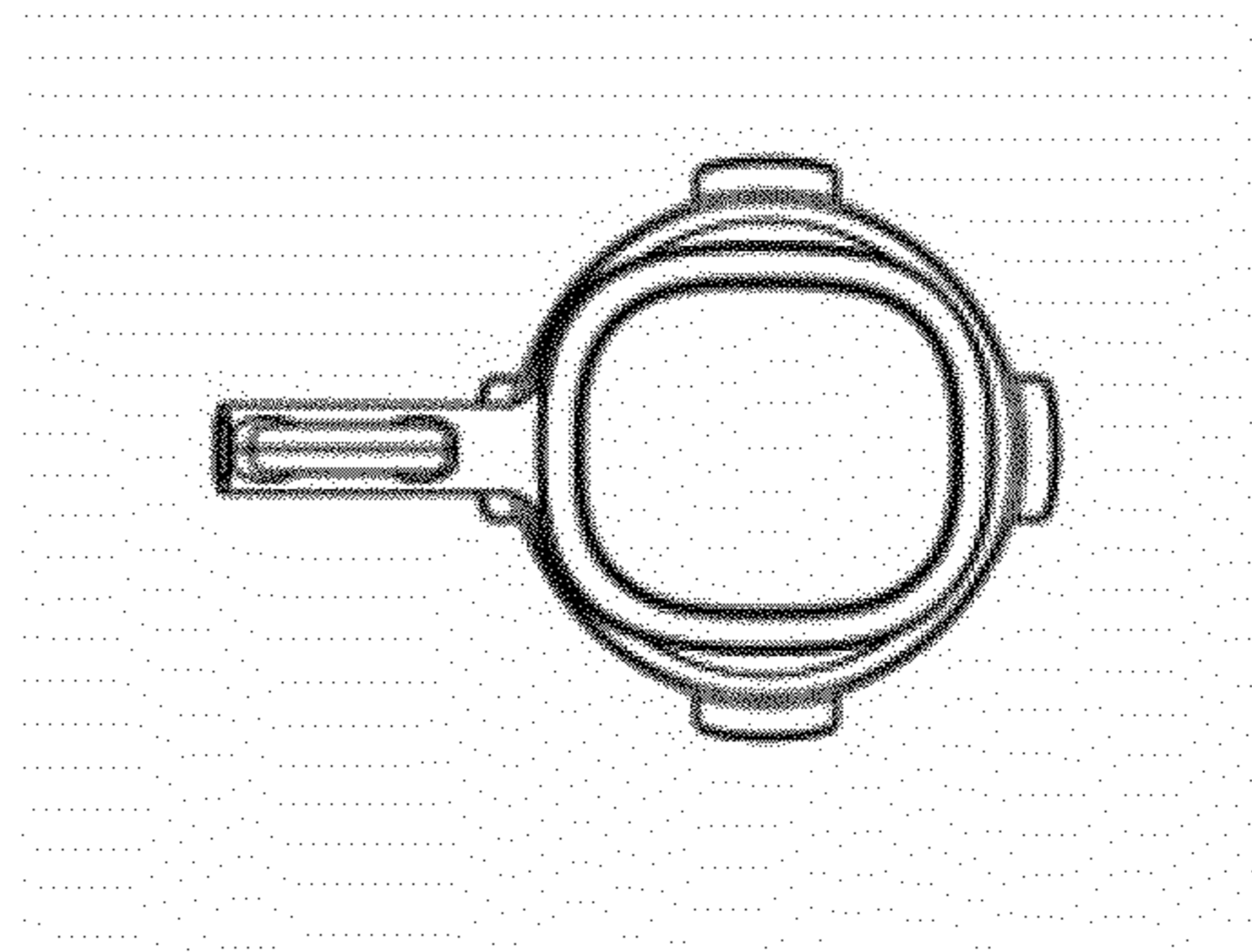


FIG. 6



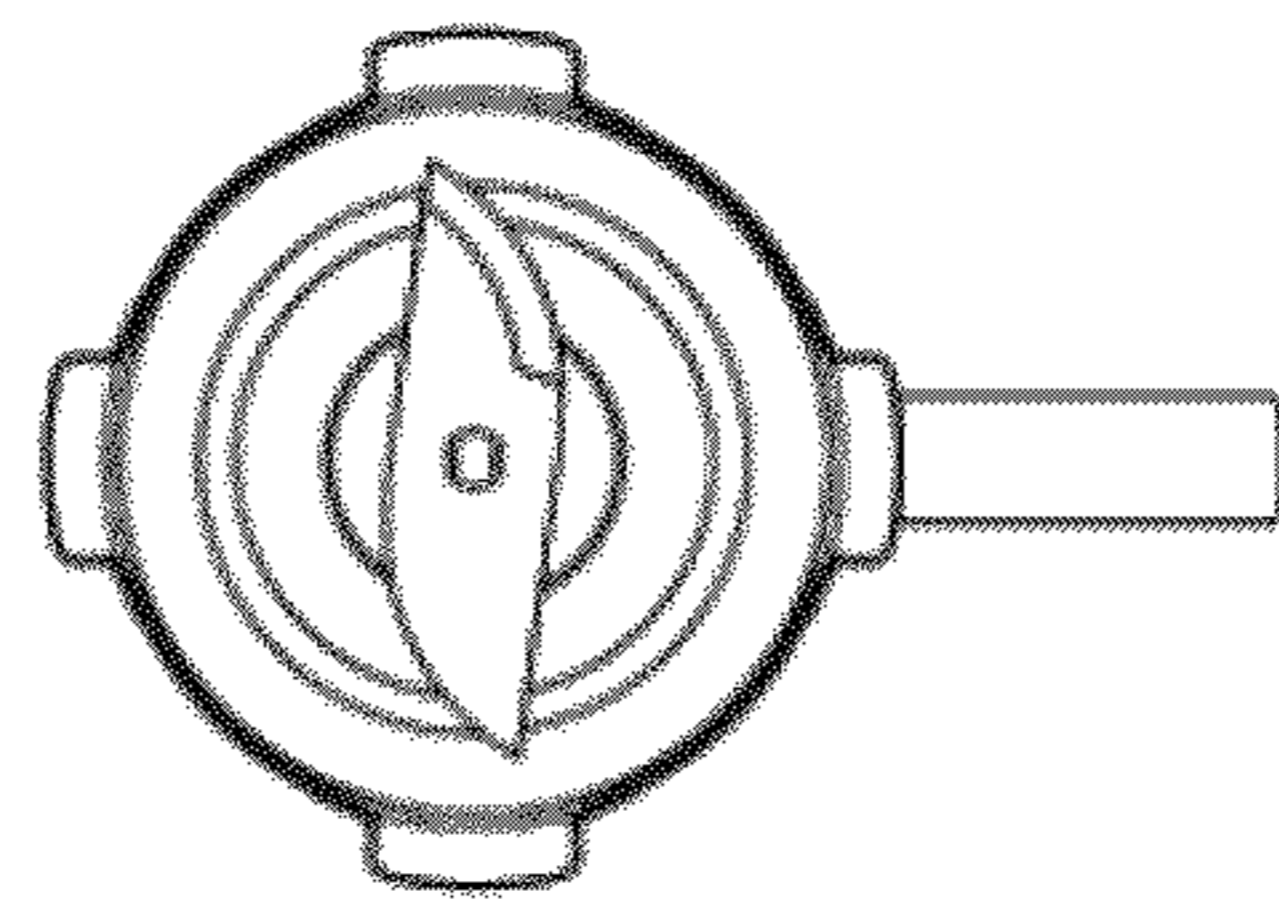


FIG. 7