



US00D724372S

(12) **United States Design Patent**
Deters

(10) **Patent No.:** **US D724,372 S**
(45) **Date of Patent:** **** Mar. 17, 2015**

(54) **SPLATTER SHIELD**

(71) Applicant: **Dennis L Deters**, Spring Grove, MN
(US)

(72) Inventor: **Dennis L Deters**, Spring Grove, MN
(US)

(**) Term: **14 Years**

(21) Appl. No.: **29/465,160**

(22) Filed: **Aug. 23, 2013**

(51) **LOC (10) Cl.** **07-99**

(52) **U.S. Cl.**
USPC **D7/368**

(58) **Field of Classification Search**
CPC A47J 37/108; A47J 37/101
USPC D7/368, 391; 220/731, 370, 372, 573.1,
220/752; 210/470, 471; 99/339, 341, 349,
99/422

See application file for complete search history.

(56) **References Cited**

U.S. PATENT DOCUMENTS

626,808	A	6/1899	Gurney	
893,805	A	7/1908	Kline	
930,223	A	8/1909	Port	
1,021,133	A	3/1912	Chaloud	
1,345,457	A	7/1920	Olson	
1,356,432	A	10/1920	Eidt	
1,453,054	A	4/1923	Nordstrom	
1,627,285	A	3/1926	Hubbard	
2,498,534	A *	2/1950	Drum	220/370
2,609,960	A	9/1952	Irwin	
2,614,484	A	10/1952	Caruso	
2,643,024	A	6/1953	Cronheim	
2,760,672	A	8/1956	Cronheim	
3,363,406	A	1/1968	Miller	
3,452,895	A *	7/1969	Kalkowski	220/370
3,777,653	A *	12/1973	Carruth	99/339
3,807,596	A *	4/1974	Baker	220/369
3,809,281	A *	5/1974	Kalkowski	220/370

4,103,420	A *	8/1978	Davis	30/129
4,176,591	A	12/1979	Power	
4,298,135	A	11/1981	Vossen	
D302,637	S *	8/1989	Hiscott et al.	D7/391
D313,727	S	1/1991	Gamez	
D513,462	S	1/2006	VanGilder et al.	
D538,587	S	3/2007	Settele	
7,264,189	B2 *	9/2007	Holcomb et al.	241/101.1
7,717,285	B2	5/2010	Price	
7,789,259	B2	9/2010	Garziera	
8,096,437	B1	1/2012	Ryan	
D655,968	S	3/2012	Lion et al.	
D655,969	S	3/2012	Lion et al.	
8,146,484	B2	4/2012	Blichmann	
2003/0205575	A1 *	11/2003	DeWinter	219/725
2008/0272124	A1	11/2008	Shamoon	
2008/0296303	A1	12/2008	Krent et al.	
2009/0261102	A1	10/2009	Sparks	
2011/0127282	A1	6/2011	Carvajal et al.	

* cited by examiner

Primary Examiner — Terry Wallace

(74) *Attorney, Agent, or Firm* — Geiser Law, PLLC; Greg N. Geiser

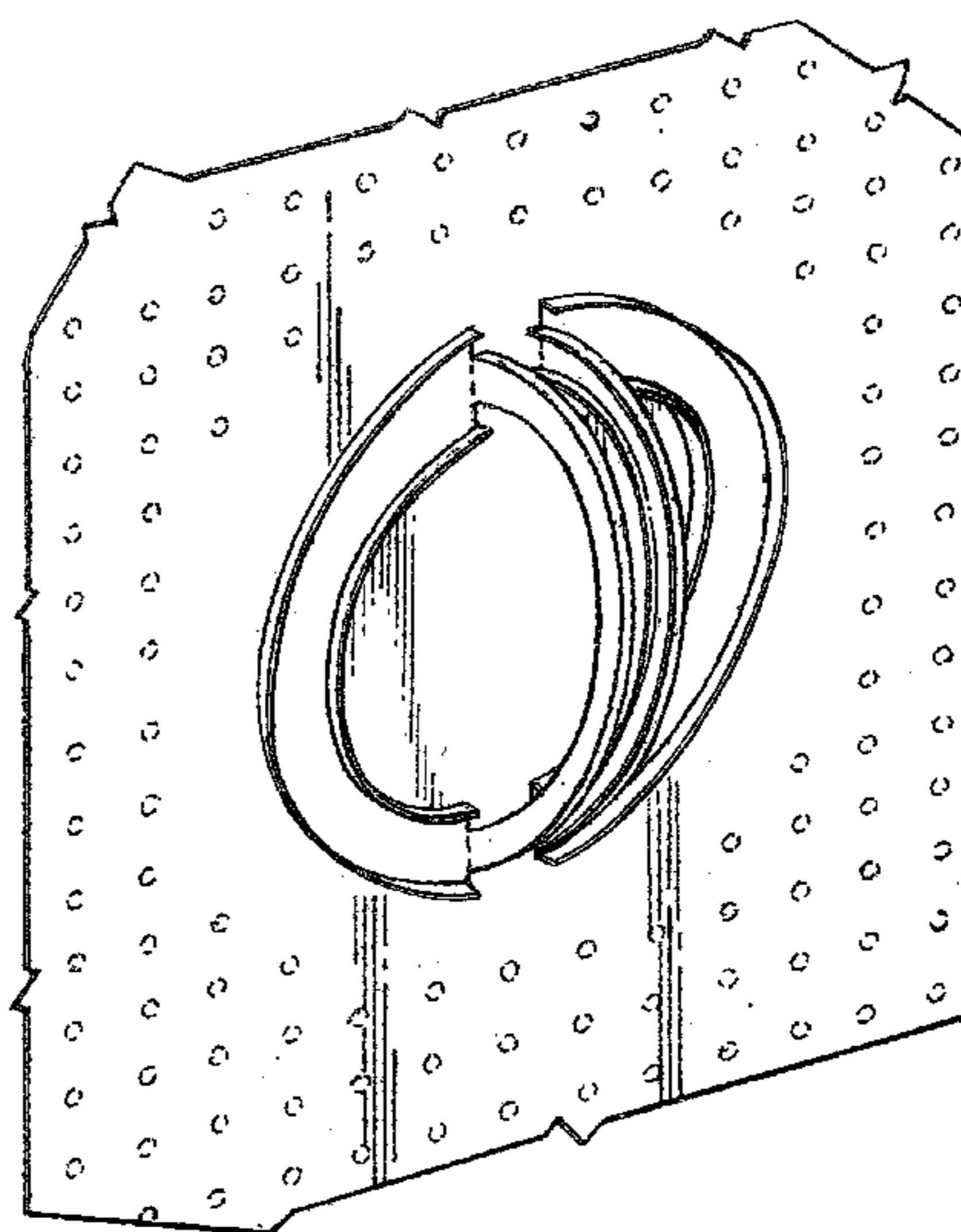
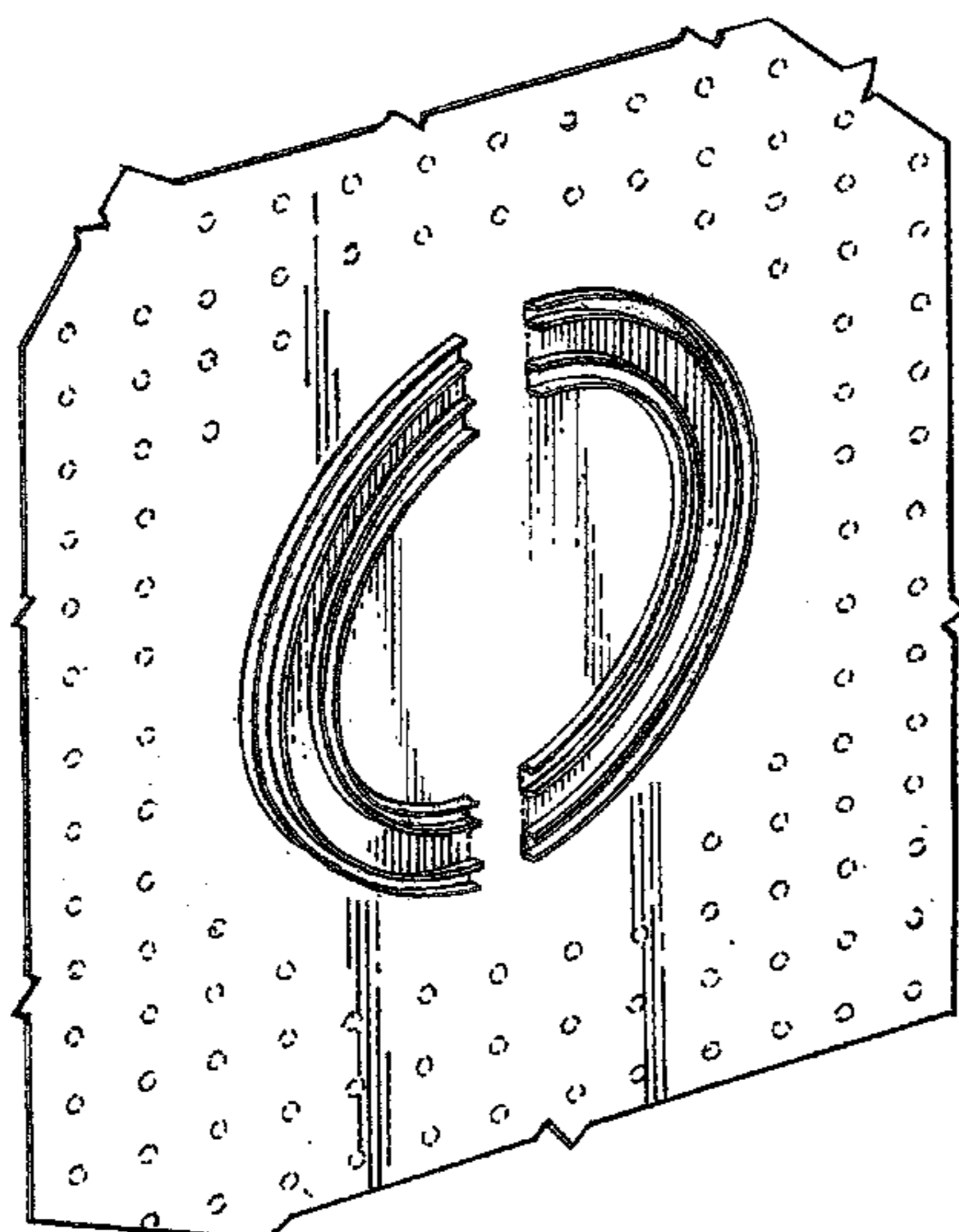
(57) **CLAIM**

The ornamental design for a splatter shield, as shown and described.

DESCRIPTION

FIG. 1 is a perspective view a splatter shield showing my new design.
 FIG. 2 is a top plan view thereof.
 FIG. 3 is a front view thereof, the rear, left and right side being a mirror image.
 FIG. 4 is a bottom plan view thereof.
 FIG. 5 is a front view thereof, with the handle raised; the rear view being a mirror image; and,
 FIG. 6 is a perspective view thereof with the handles raised.
 The broken lines are for illustrative purposes only and form no part of the claimed design.

1 Claim, 6 Drawing Sheets



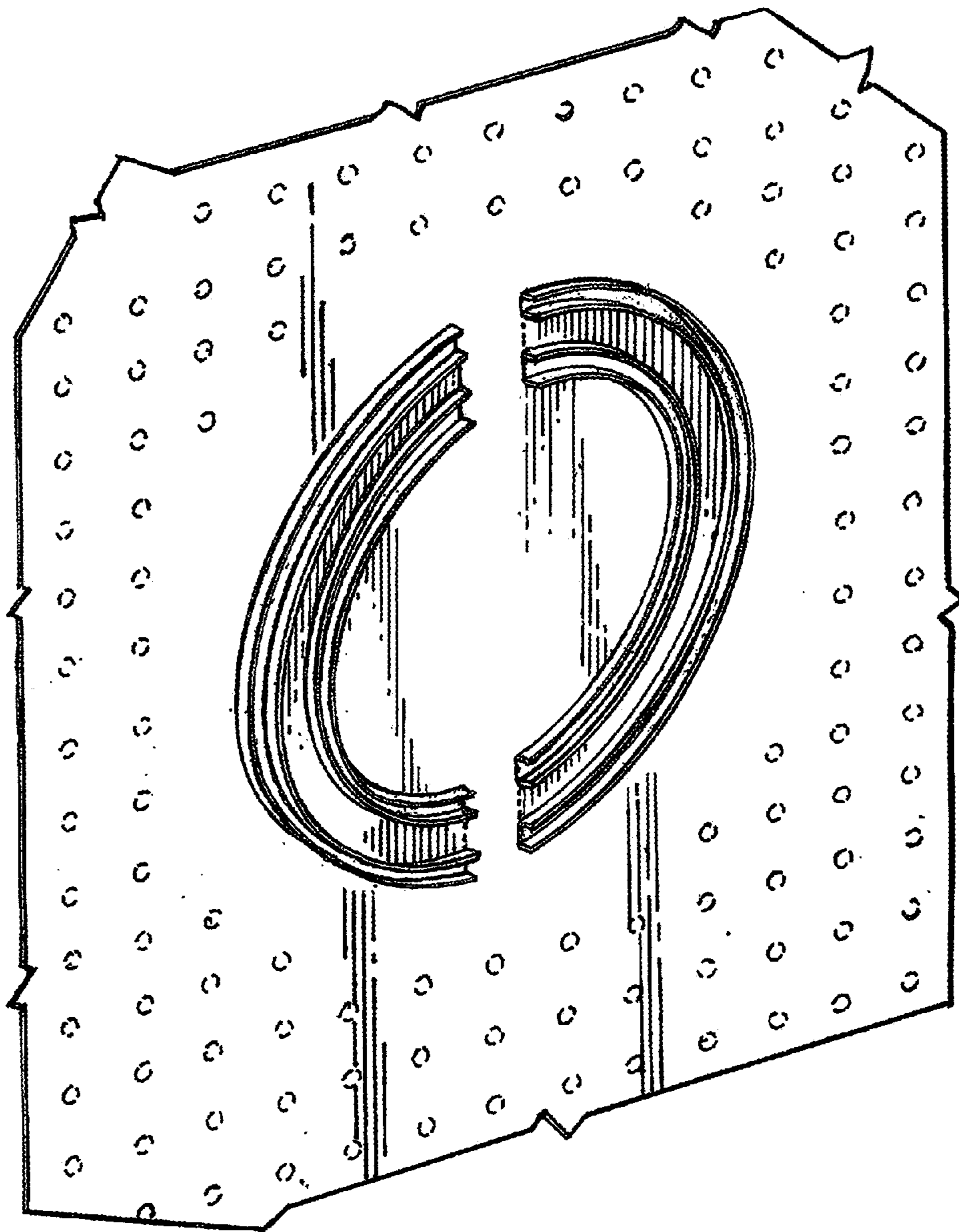


FIG. 1

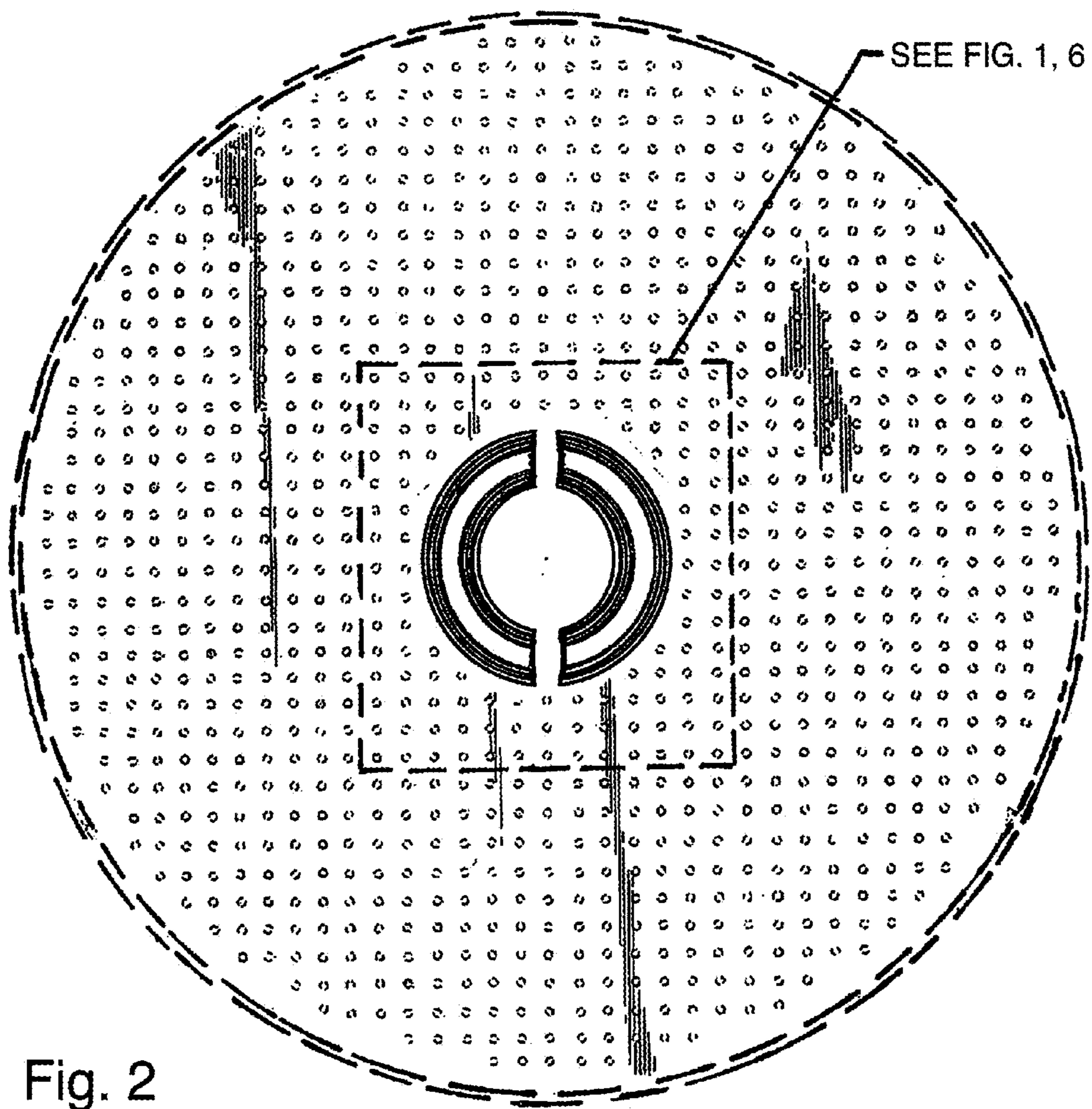


Fig. 3



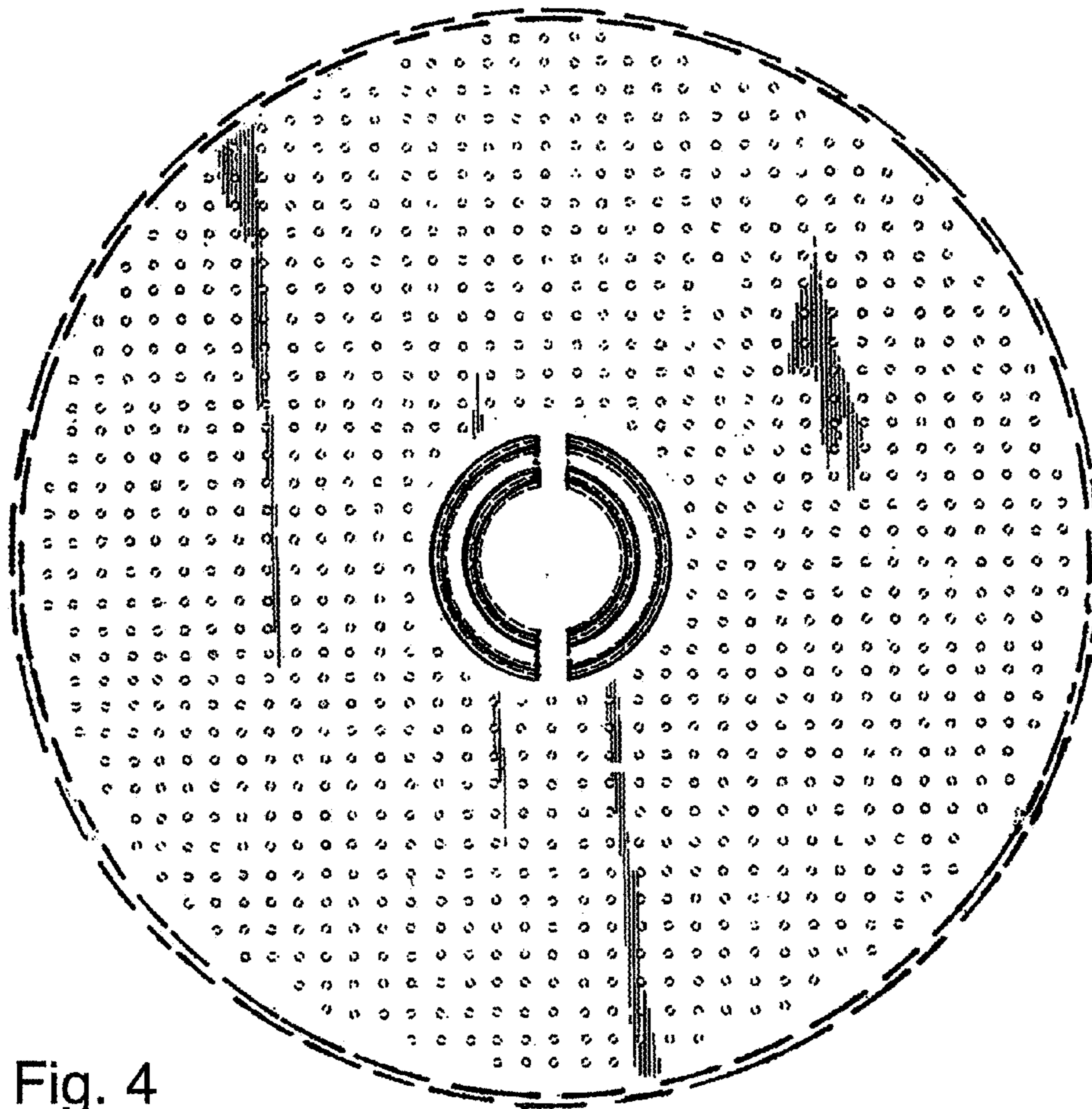
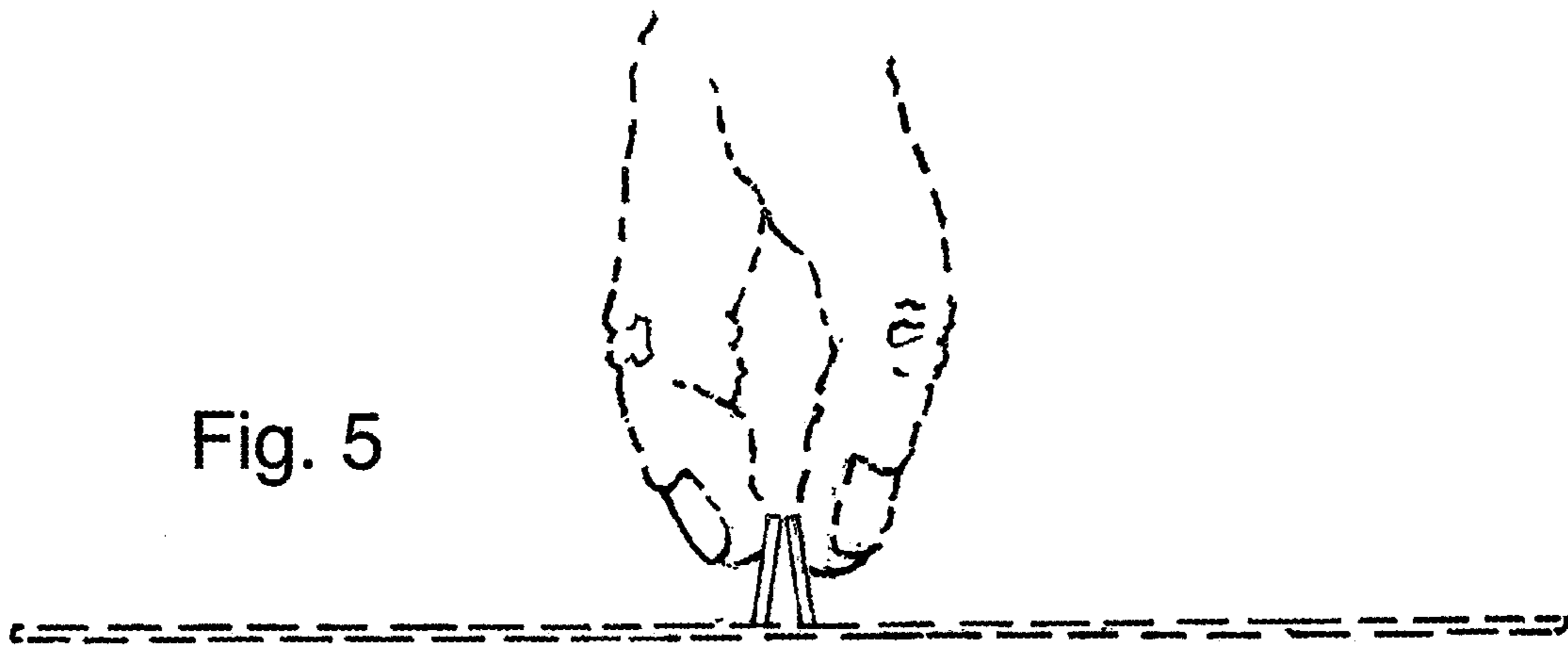


Fig. 4

Fig. 5



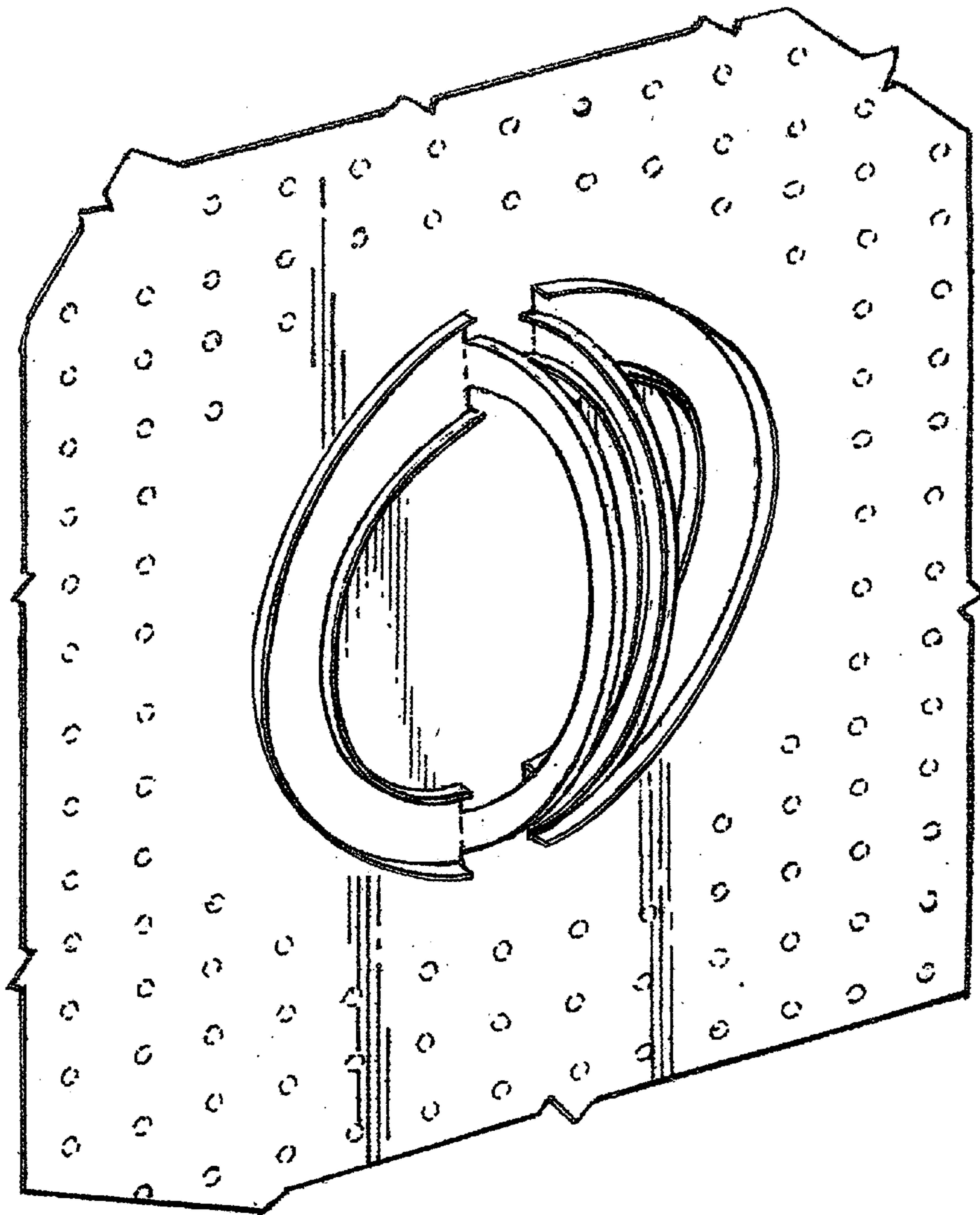


Fig. 6