

US00D724371S

(12) **United States Design Patent**
Min

(10) **Patent No.:** **US D724,371 S**
(45) **Date of Patent:** **** Mar. 17, 2015**

- (54) **STOVE**
- (71) Applicant: **Sungki Min**, South Pasadena, CA (US)
- (72) Inventor: **Sungki Min**, South Pasadena, CA (US)
- (**) Term: **14 Years**
- (21) Appl. No.: **29/467,417**
- (22) Filed: **Sep. 18, 2013**
- (51) **LOC (10) Cl.** **07-02**
- (52) **U.S. Cl.**
USPC **D7/337**
- (58) **Field of Classification Search**
USPC D7/332, 334-337, 402-405, 362, 367;
99/481-482, 449, 340; 431/206;
126/19 M, 19 R, 39 R, 39 H, 39 B, 25 R,
126/43, 41 R, 9 R, 38, 37 R, 40, 50
See application file for complete search history.

- D369,509 S * 5/1996 Kaga et al. D7/362
- 6,089,218 A * 7/2000 Mifune et al. 126/38
- 6,095,131 A * 8/2000 Huang 126/38
- D502,840 S * 3/2005 Schulte et al. D7/337
- D544,291 S * 6/2007 Kong D7/337
- 2008/0072891 A1* 3/2008 Iwasa 126/38

* cited by examiner

Primary Examiner — Ruth McInroy

(74) *Attorney, Agent, or Firm* — QuickPatents; Kevin Prince

(57) **CLAIM**

I claim the ornamental design for a stove, as shown and described.

DESCRIPTION

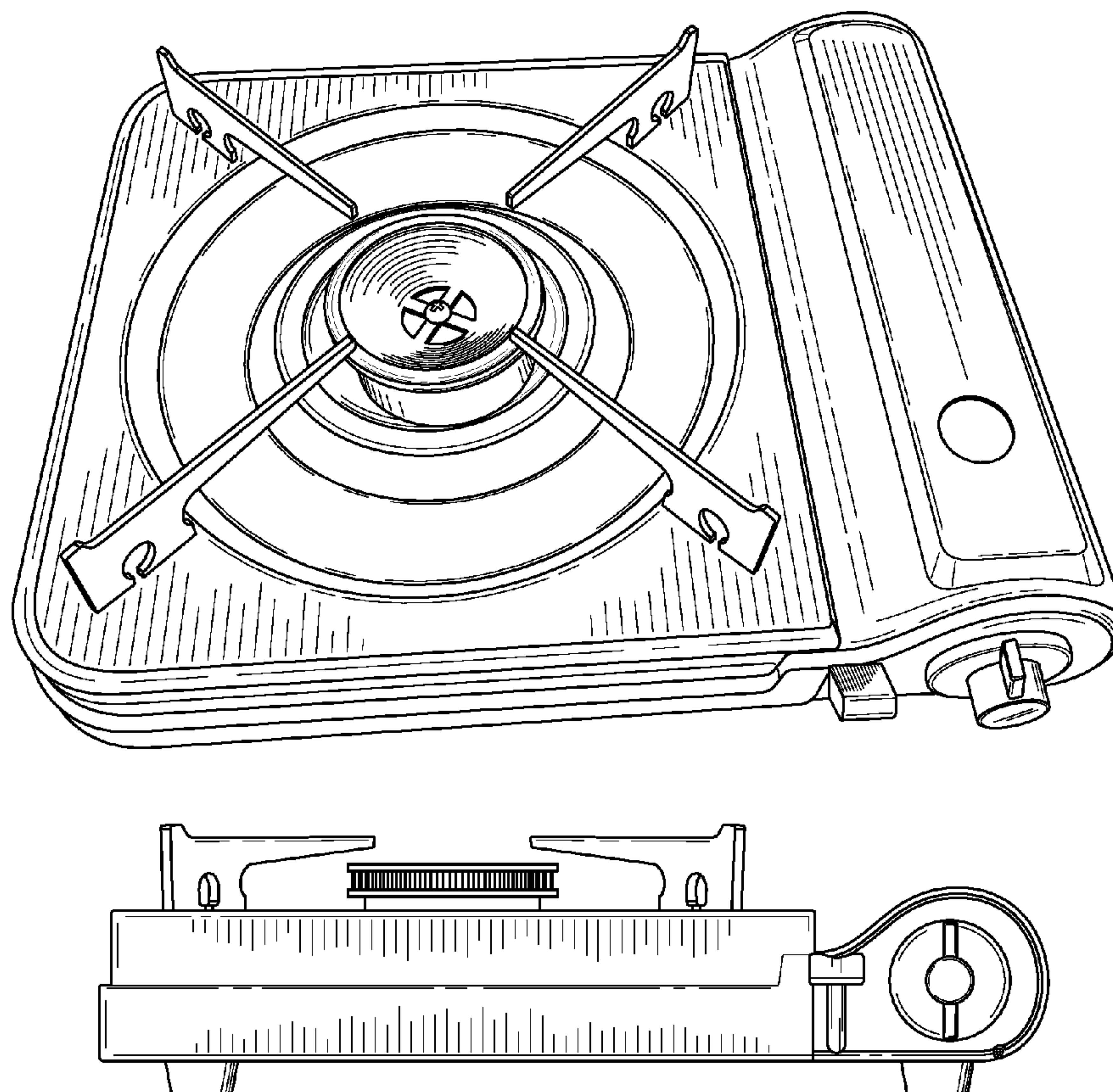
FIG. 1 is a perspective view of a stove, showing my new design;
 FIG. 2 is a right-side elevational view thereof;
 FIG. 3 is a left side elevational view thereof;
 FIG. 4 is a rear elevational view thereof;
 FIG. 5 is a front elevational view thereof;
 FIG. 6 is a top plan view thereof; and,
 FIG. 7 is a bottom plan view thereof.
 The broken lines in the figures depict environmental matter that forms no part of the claimed design.

1 Claim, 3 Drawing Sheets

(56) **References Cited**

U.S. PATENT DOCUMENTS

- D228,274 S * 9/1973 Chan D7/337
- D246,151 S * 10/1977 Chan D7/337
- D252,971 S * 9/1979 Ito D7/337
- D336,008 S * 6/1993 Kamata D7/362
- D350,256 S * 9/1994 Wang D7/367



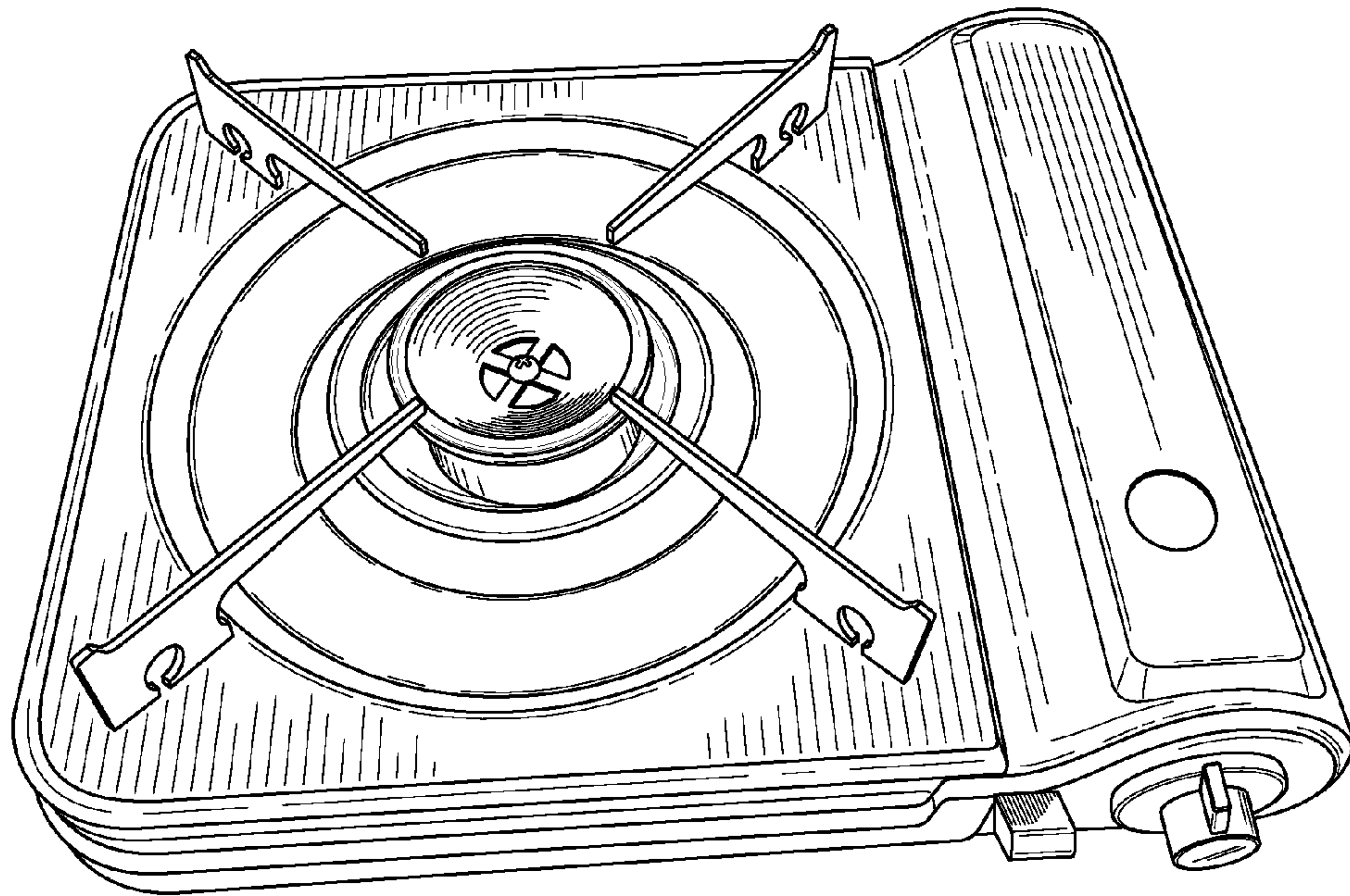


FIG. 1

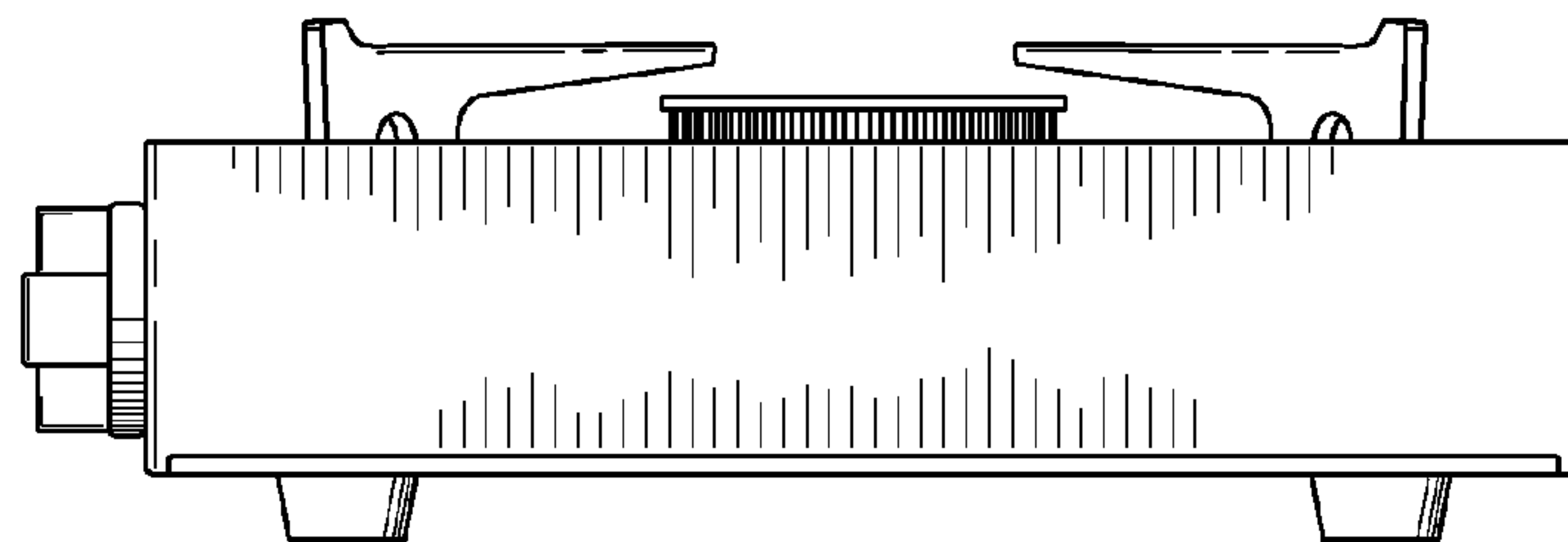


FIG. 2

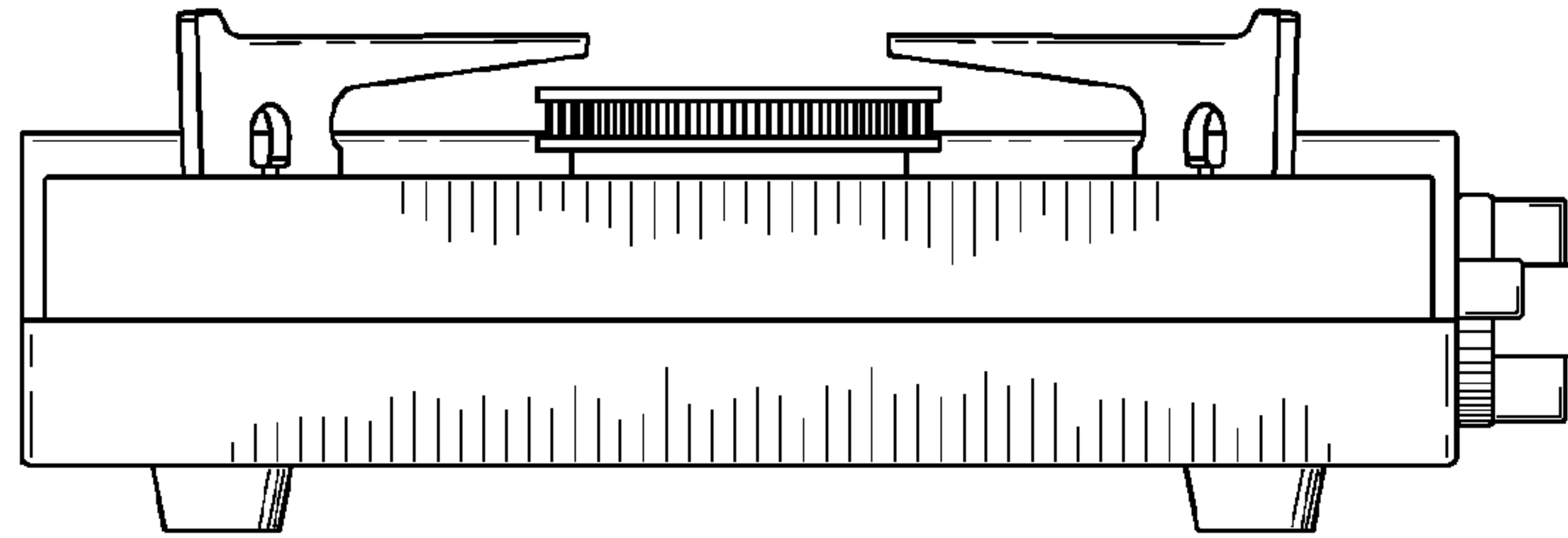


FIG. 3

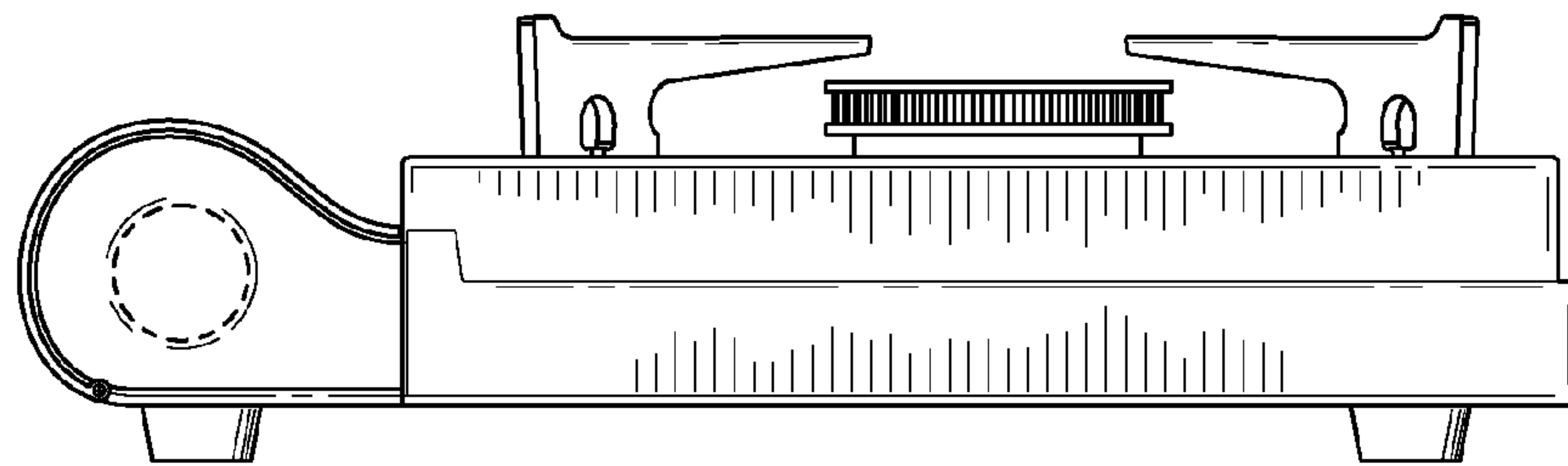


FIG. 4

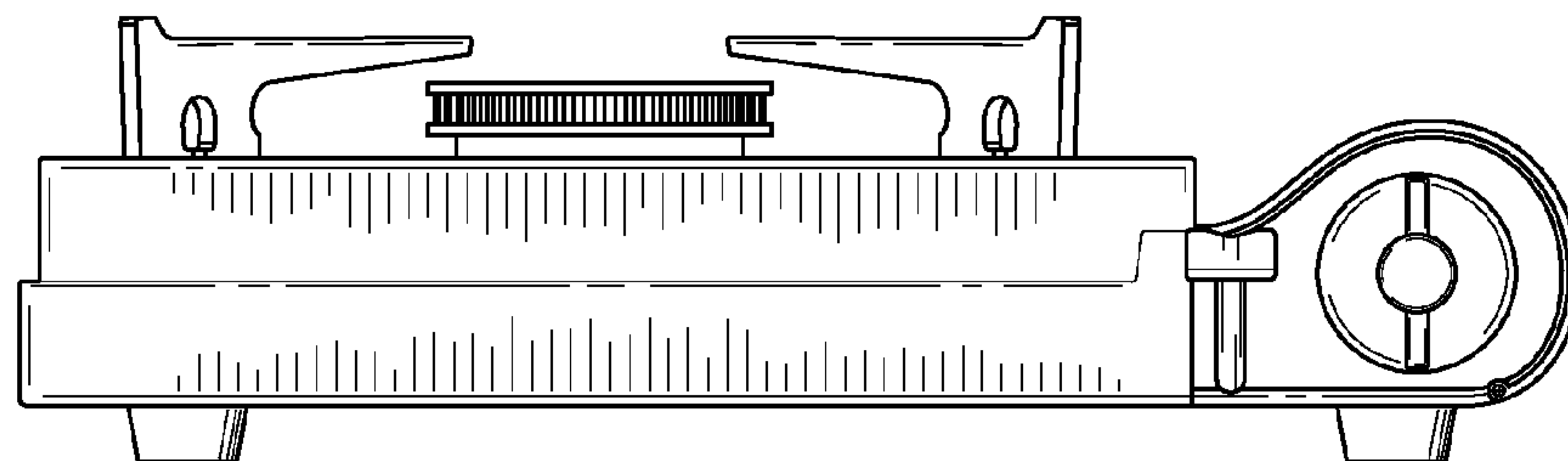


FIG. 5

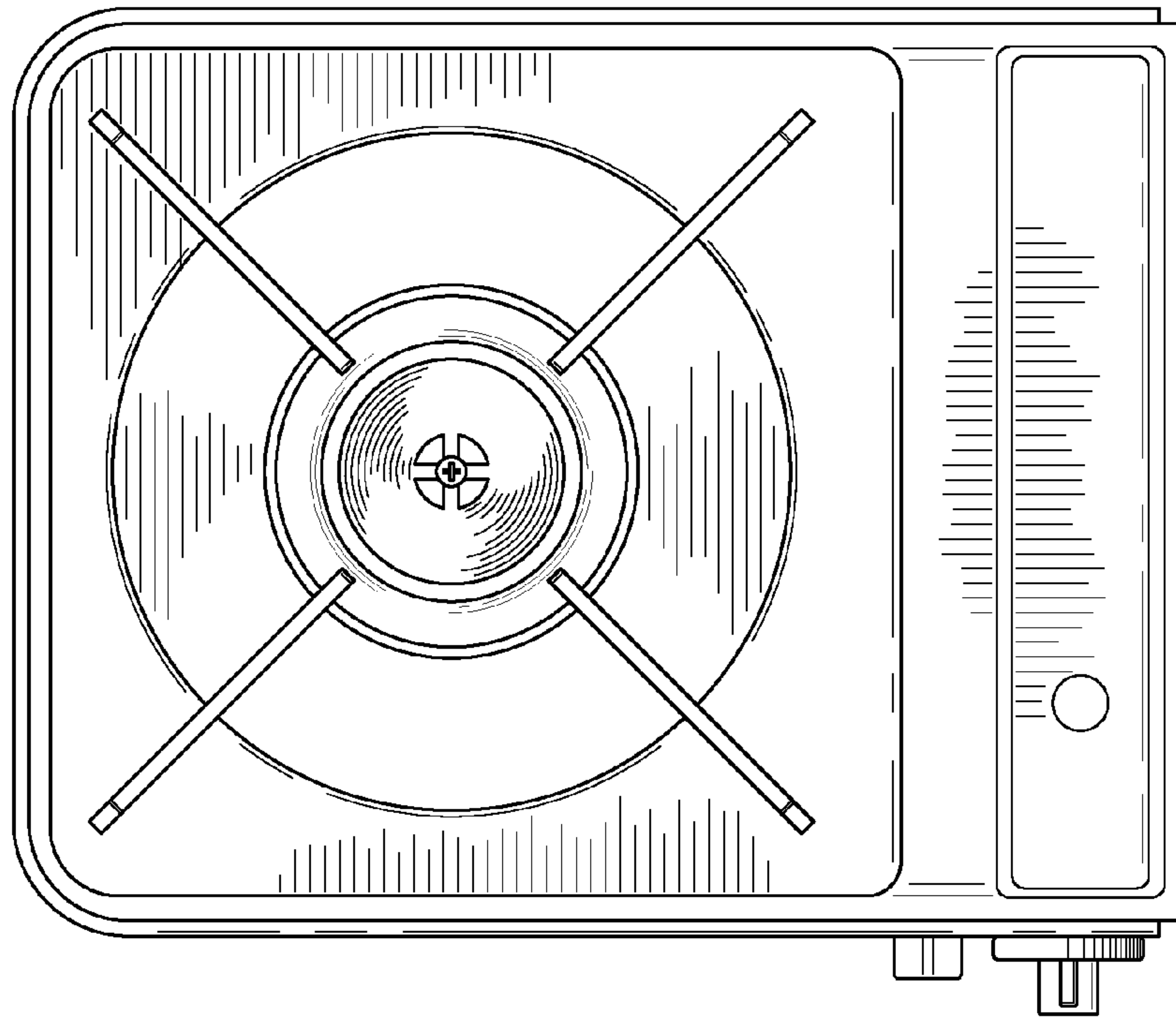


FIG. 6

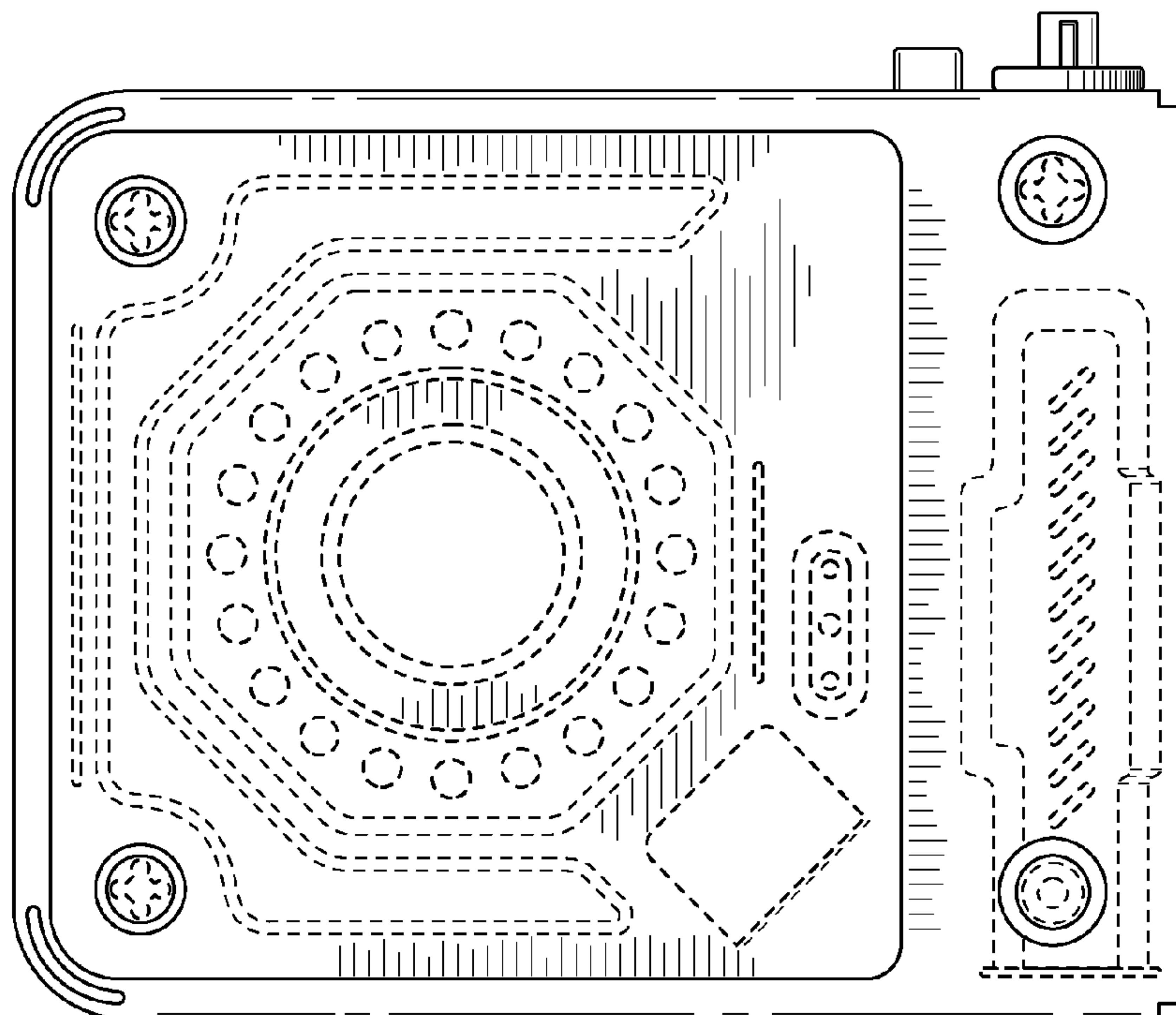


FIG. 7