



US00D724368S

(12) **United States Design Patent**  
**Nicholas**

(10) **Patent No.:** **US D724,368 S**  
(45) **Date of Patent:** **\*\* \*Mar. 17, 2015**

(54) **HEADREST**

(71) Applicant: **Etihad Airways**, Abu Dhabi (AE)

(72) Inventor: **Richard Nicholas**, London (GB)

(73) Assignee: **Etihad Airways** (AE)

(\*) Notice: This patent is subject to a terminal disclaimer.

(\*\*) Term: **14 Years**

(21) Appl. No.: **29/478,763**

(22) Filed: **Jan. 8, 2014**

(30) **Foreign Application Priority Data**

Jul. 9, 2013 (EM) ..... 002270918-0001

(51) **LOC (10) Cl.** ..... **06-01**

(52) **U.S. Cl.**  
USPC ..... **D6/716.5**

(58) **Field of Classification Search**  
USPC ..... D6/333-336, 342-356, 360-381, 388,  
D6/403, 491-502, 692, 708, 708.21, 716,  
D6/716.2-716.5; 244/118.6, 122 R;  
297/188.04, 217.3, 232, 257, 271.6,  
297/284.4-284.5, 291, 297, 302.4, 353,  
297/344.1, 354.1, 362.13, 396, 411.2,  
297/411.27-411.29, 411.43, 423.1, 423.12,  
297/440.11, 440.15, 440.21-440.24, 448.1,  
297/451.4, 452.13, 452.19, 452.21, 452.27,  
297/452.29, 452.3, 452.41, 452.56, 452.64,  
297/474

See application file for complete search history.

(56) **References Cited**

**U.S. PATENT DOCUMENTS**

D138,510 S \* 8/1944 Dreyfuss ..... D6/356  
D186,105 S \* 9/1959 Dietz ..... D6/356

D198,498 S \* 6/1964 Malitte ..... D6/356  
D198,783 S \* 8/1964 Barecki ..... D6/356  
D209,743 S \* 1/1968 Mulhauser ..... D6/366  
D225,193 S \* 11/1972 Barecki ..... D6/356  
D239,148 S \* 3/1976 Smith et al. .... D6/342  
D250,071 S \* 10/1978 Dickerson ..... D6/356  
D257,707 S \* 12/1980 Marrujo ..... D6/342  
D267,372 S \* 12/1982 Long et al. .... D6/356  
D268,972 S \* 5/1983 White ..... D6/356  
D277,526 S \* 2/1985 White ..... D6/356  
4,526,421 A \* 7/1985 Brennan et al. .... 297/232  
D336,379 S \* 6/1993 Veneruso ..... D6/356

(Continued)

**FOREIGN PATENT DOCUMENTS**

EP 002133561-0002 11/2012

**OTHER PUBLICATIONS**

“The Optimares Sabre seat,” Aircraft Interiors International, date unknown, retrieved from [http://www.aircraftinteriorsinternational.com/optimares\\_sabre\\_video.php](http://www.aircraftinteriorsinternational.com/optimares_sabre_video.php) on Jun. 6, 2014, 2 pages.

(Continued)

*Primary Examiner* — Ricky Pham

(74) *Attorney, Agent, or Firm* — Fredrikson & Byron, P.A.

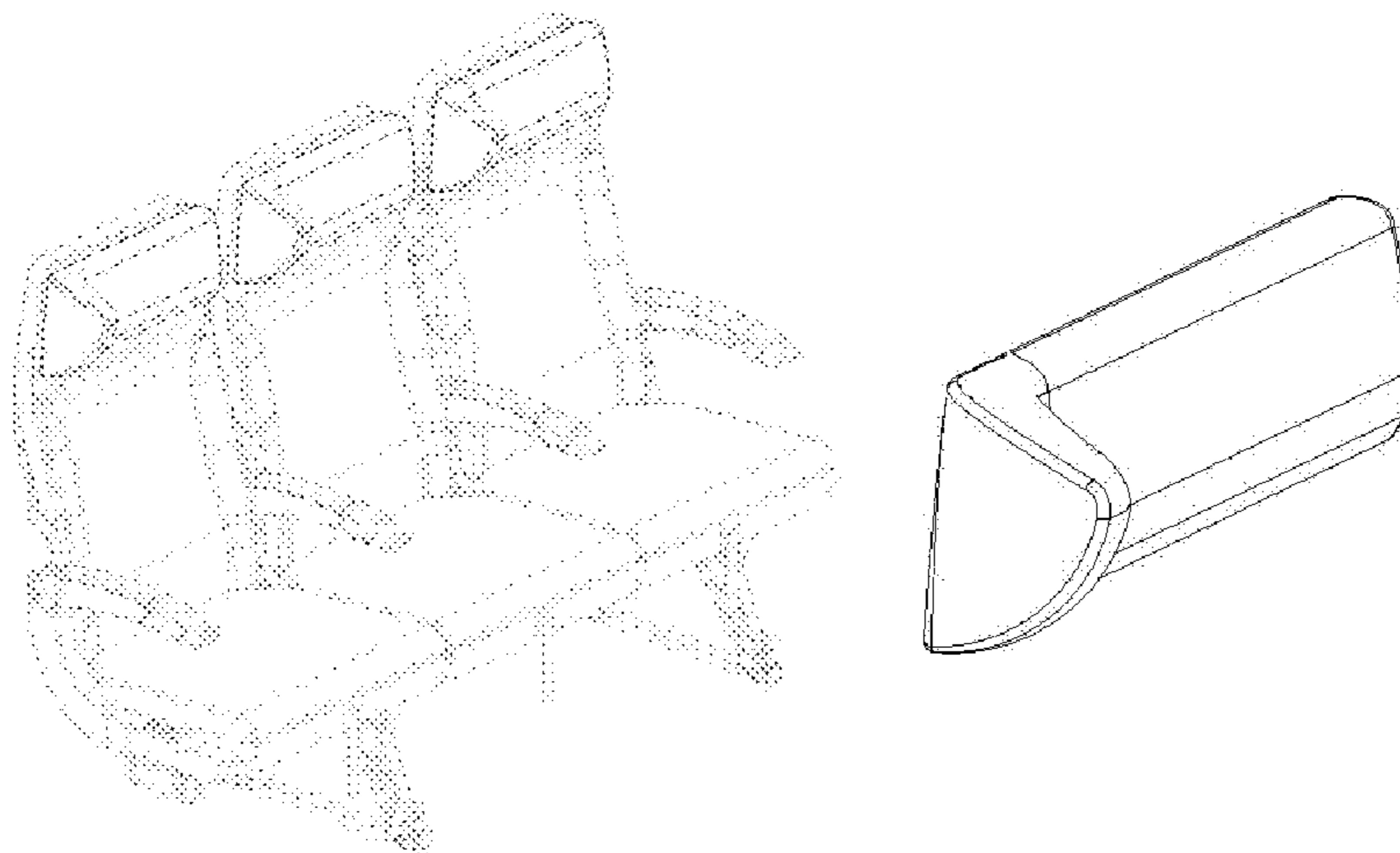
(57) **CLAIM**

I claim the ornamental design for a headrest, as shown and described.

**DESCRIPTION**

FIG. 1 is a perspective of my new design for a headrest;  
FIG. 2 is a front view thereof;  
FIG. 3 is a rear view thereof;  
FIG. 4 is a top view thereof;  
FIG. 5 is a bottom view thereof;  
FIG. 6 is a side view thereof;  
FIG. 7 is an opposite side view thereof; and,  
FIG. 8 is another perspective of my new design.  
The broken lines form no part of the claimed design.

**1 Claim, 5 Drawing Sheets**



(56)

**References Cited**

U.S. PATENT DOCUMENTS

6,241,188	B1 *	6/2001	Simpson et al.	.....	244/122 R
D468,917	S *	1/2003	Veneruso	.....	D6/356
D503,865	S *	4/2005	Eldoy	.....	D6/500
D505,796	S *	6/2005	Johnson	.....	D6/356
D665,182	S *	8/2012	Hilton et al.	.....	D6/360
8,393,680	B2 *	3/2013	Zimmermann et al.	.....	297/257
D686,422	S *	7/2013	Robinson	.....	D6/356
2003/0094842	A1 *	5/2003	Williamson	.....	297/362.13
2004/0021349	A1 *	2/2004	Longtin et al.	.....	297/217.3
2004/0195875	A1 *	10/2004	Skelly	.....	297/217.3
2004/0212228	A1 *	10/2004	Skelly et al.	.....	297/217.3

OTHER PUBLICATIONS

“Optimares claims the catalogue approach for aircraft interiors stymies innovation,” Airline Passenger Experience Association editor’s blog, Apr. 23, 2014, retrieved from <http://blog.apex.aero/cabin-interior/interiors-optimares-argues-airbus-boeing-catalogues-stymie-innovation/> on Jun. 6, 2014, 5 pages.

“New seat design,” The Business Travel News, Apr. 22, 2013, retrieved from <http://www.btnews.co.uk/article/6202> on Jun. 6, 2014, 1 page.

“A slick new Economy Class airline seat from Factorydesign,” Design Week, Apr. 18, 2013, retrieved from <http://www.designweek.co.uk/news/a-slick-new-economy-class-airline-seat-from-factorydesign/3036342>.article on Jun. 6, 2014, 1 page.

“Delta ‘Cozy Suite’ Seats Make Economy Class Semi-Tolerable,” Gizmodo, Apr. 21, 2008, retrieved from <http://gizmodo.com/382292/delta-cozy-suite-seats-make-economy-class-semi-tolerable> on Jun. 6, 2014, 2 pages.

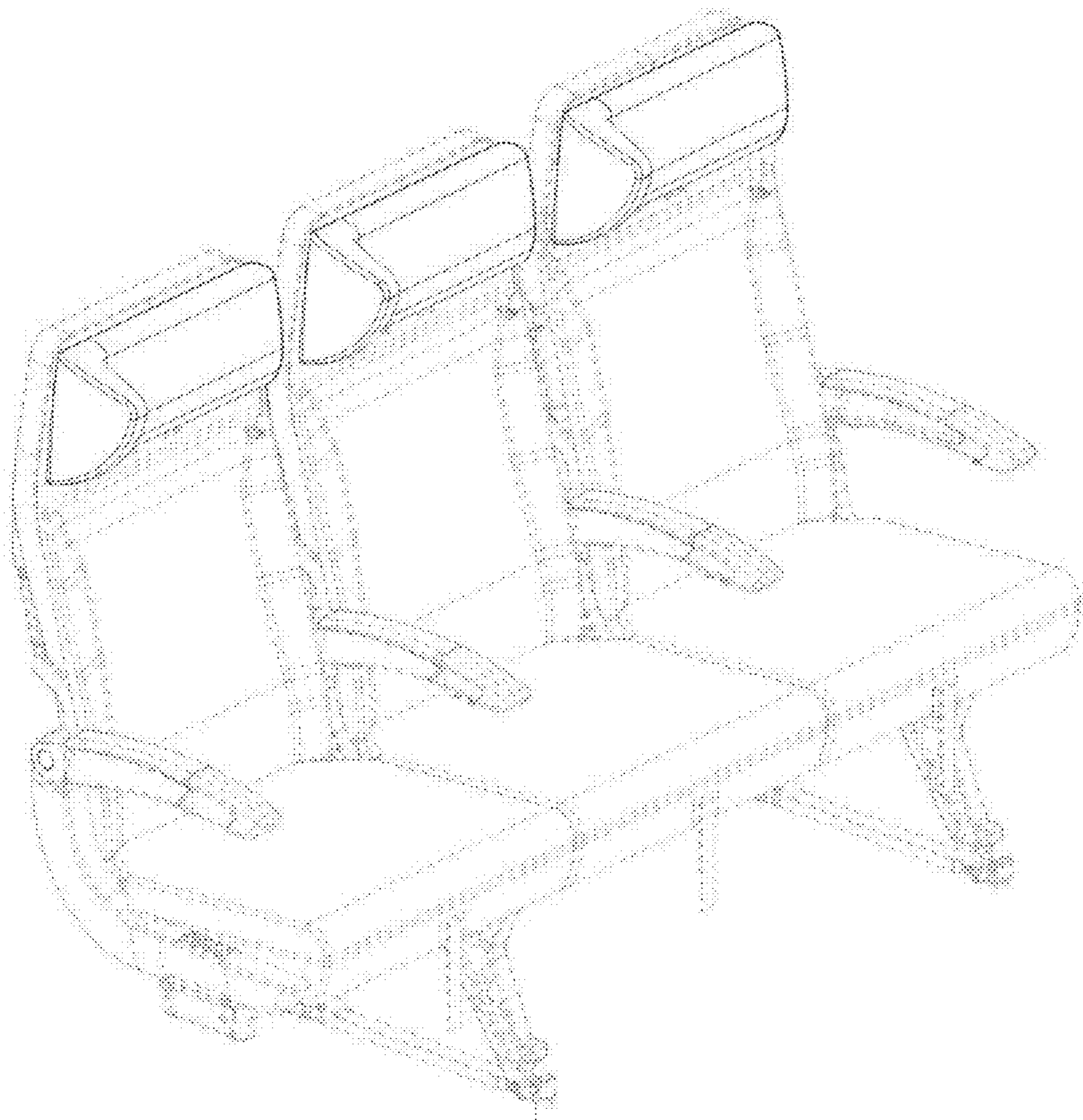
“The Thomson Cozy suite,” Thomson Cozy Suite Economy & Economy Plus, date unknown, retrieved from <http://www.thompsonaero.com/uploads/pdf/COZY%0202012.PRINT.FINAL.pdf> on Jun. 11, 2014, 3 pages.

“New Airline Seat Setup Slated for Some Delta Planes,” Wall Street Journal, Mar. 9, 2009, retrieved from <http://blogs.wsj.com/middleseat/2009/03/09/new-airline-seat-setup-slanted-for-some-delta-planes/> on Jun. 6, 2014, 3 pages.

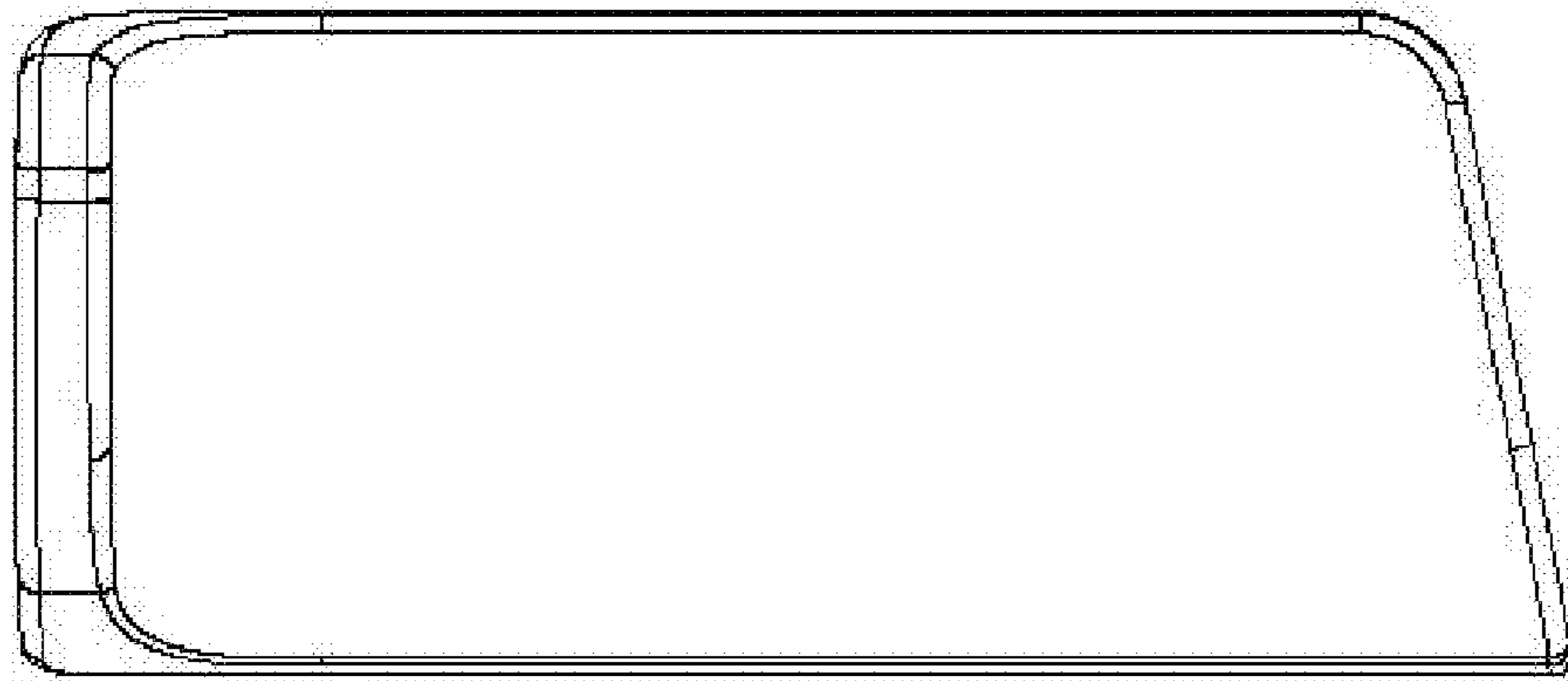
“New, Larger ‘Cozy Suite’ Economy Seats Coming to Delta,” Travel Sentry, Mar. 10, 2009, retrieved from [http://travelsentryblogspot.co.uk/2009/03/new-larger-cozy-suite-economy-seats\\_10.html](http://travelsentryblogspot.co.uk/2009/03/new-larger-cozy-suite-economy-seats_10.html) on Jun. 6, 2014, 4 pages.

\* cited by examiner

**FIG. 1**



**FIG. 2**



**FIG. 3**

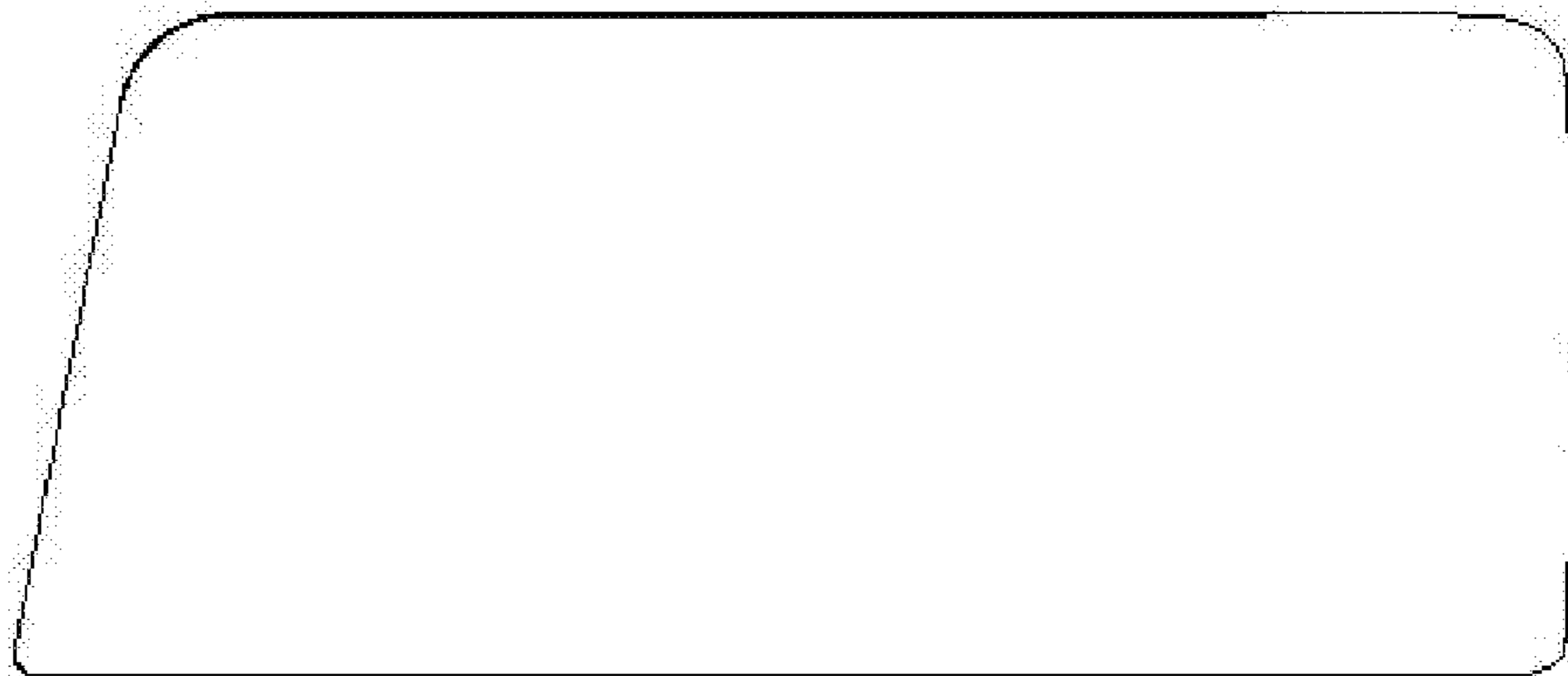




FIG. 4

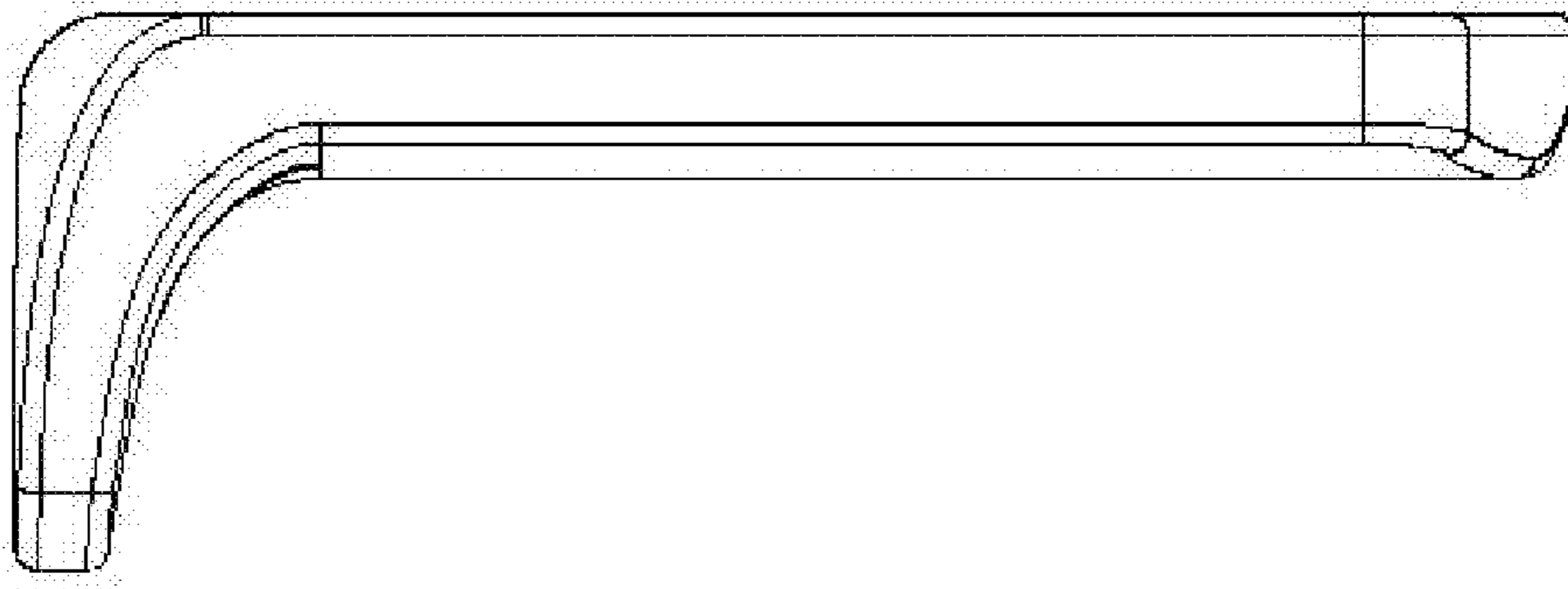
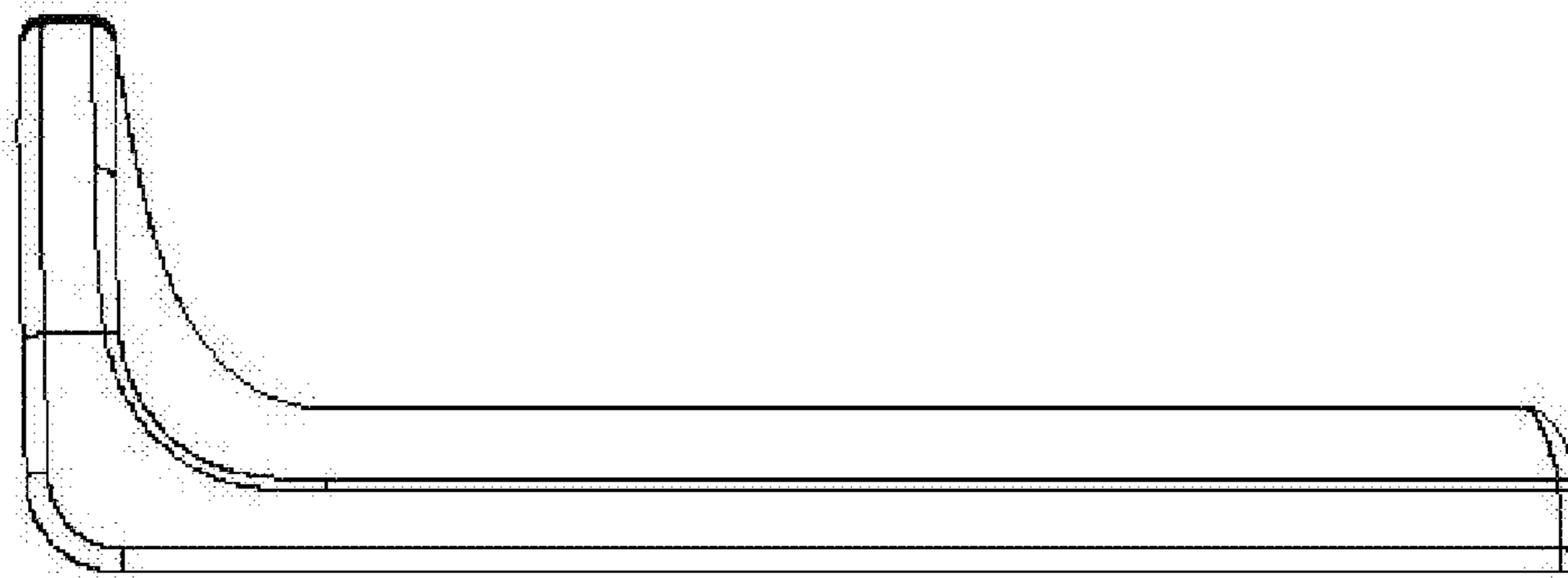
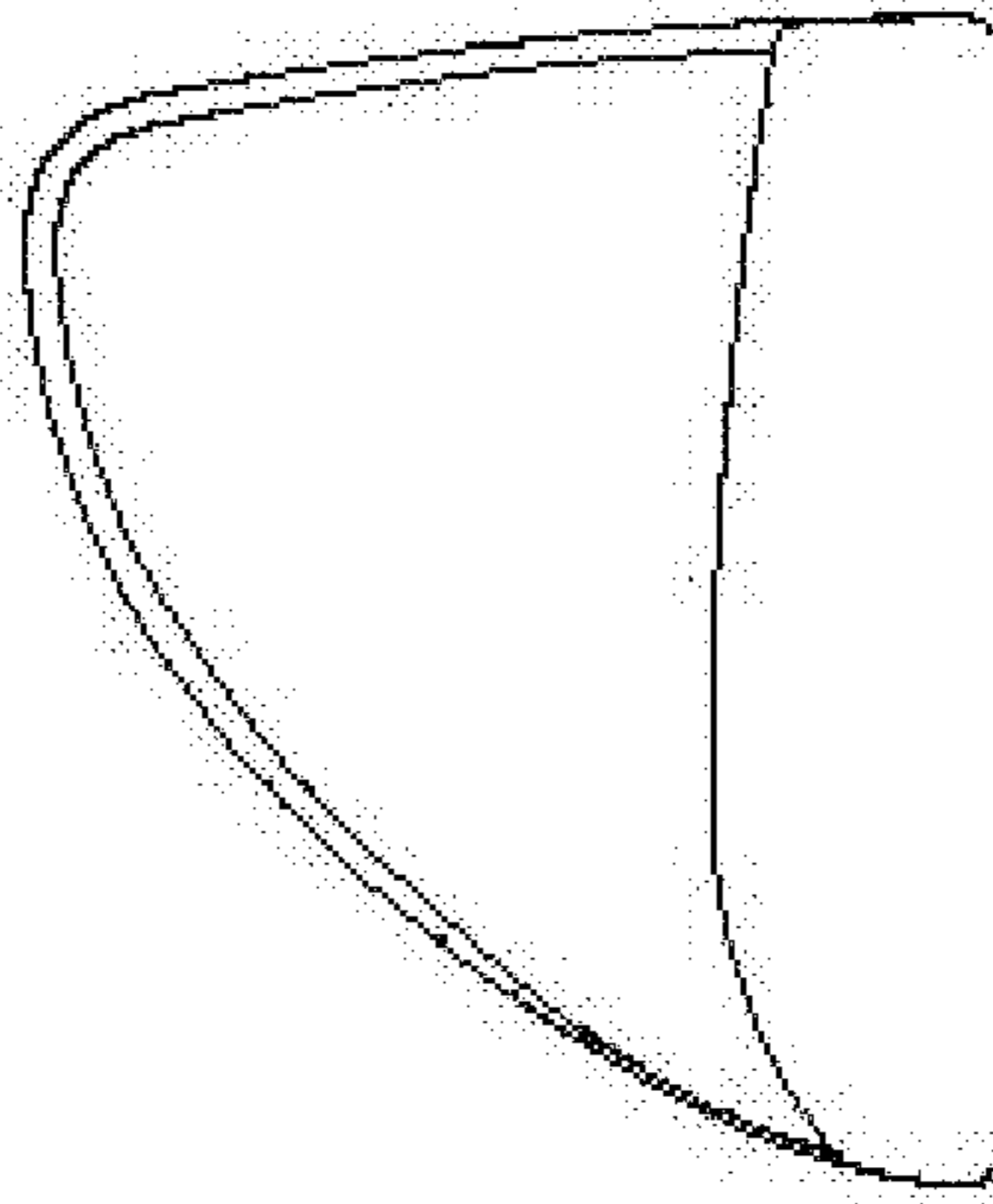


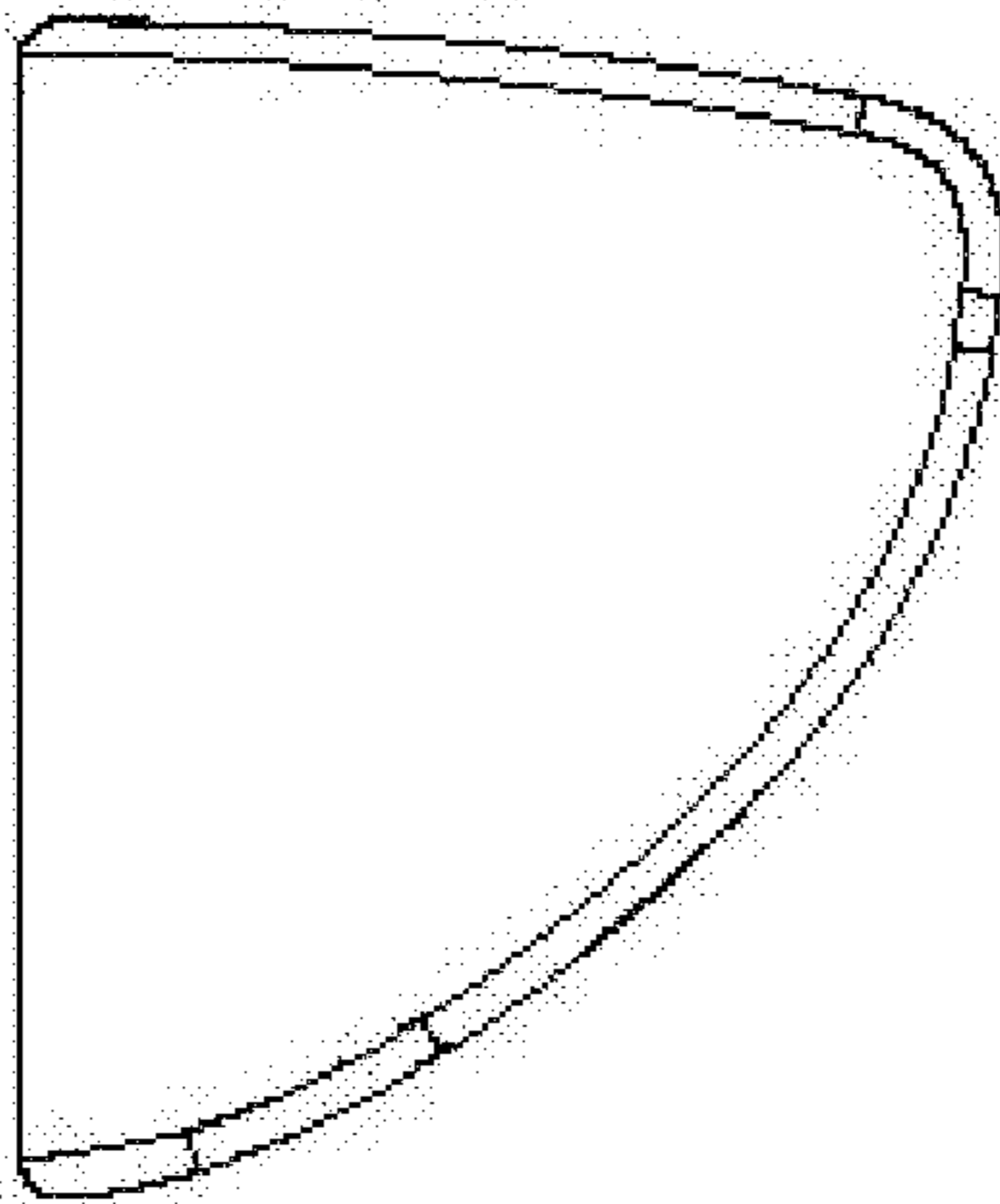
FIG. 5



**FIG. 6**



**FIG. 7**



**FIG. 8**

