



US00D724367S

(12) **United States Design Patent**
Sander

(10) **Patent No.:** **US D724,367 S**
(45) **Date of Patent:** **** Mar. 17, 2015**

(54) **SWIVEL CHAIR**
(71) Applicant: **Armin Sander**, Nuremberg (DE)
(72) Inventor: **Armin Sander**, Nuremberg (DE)
(**) Term: **14 Years**

(21) Appl. No.: **29/453,523**
(22) Filed: **Apr. 30, 2013**

(30) **Foreign Application Priority Data**

Oct. 31, 2012 (KR) 30-2012-0051853

(51) **LOC (10) CL.** **06-01**

(52) **U.S. CL.**
USPC **D6/716; D6/366**

(58) **Field of Classification Search**
USPC D6/334-336, 360-381, 716,
D6/716.1-716.7; 297/396, 397, 284.4,
297/411.28, 452.21, 452.26, 452.29, 452.3,
297/452.32, 452.35, 452.48
See application file for complete search history.

(56) **References Cited**

U.S. PATENT DOCUMENTS

D493,626 S *	8/2004	James	D6/366
D514,832 S *	2/2006	Tsai	D6/366
D559,571 S *	1/2008	Meda	D6/366
D582,170 S *	12/2008	Chi	D6/366
D600,462 S *	9/2009	Ooki et al.	D6/366
D636,614 S *	4/2011	Sander et al.	D6/366
D654,709 S *	2/2012	Fujita	D6/366

D662,330 S *	6/2012	Tanaka et al.	D6/366
D676,254 S *	2/2013	Chen	D6/366
D677,068 S *	3/2013	Chen	D6/366
D688,056 S *	8/2013	Phillips et al.	D6/366
D688,061 S *	8/2013	Giugiaro	D6/366
D701,068 S *	3/2014	Usumoto et al.	D6/716

* cited by examiner

Primary Examiner — Ricky Pham

(74) *Attorney, Agent, or Firm* — Harness, Dickey & Pierce, P.L.C.

(57) **CLAIM**

The ornamental design for a swivel chair, as shown and described.

DESCRIPTION

FIG. 1 is a perspective view of a swivel chair showing my new design;

FIG. 2 is a front view of the design;

FIG. 3 is a rear view of the design;

FIG. 4 is a left-side view of the design;

FIG. 5 is a right-side view of the design;

FIG. 6 is a top plan view of the design; and,

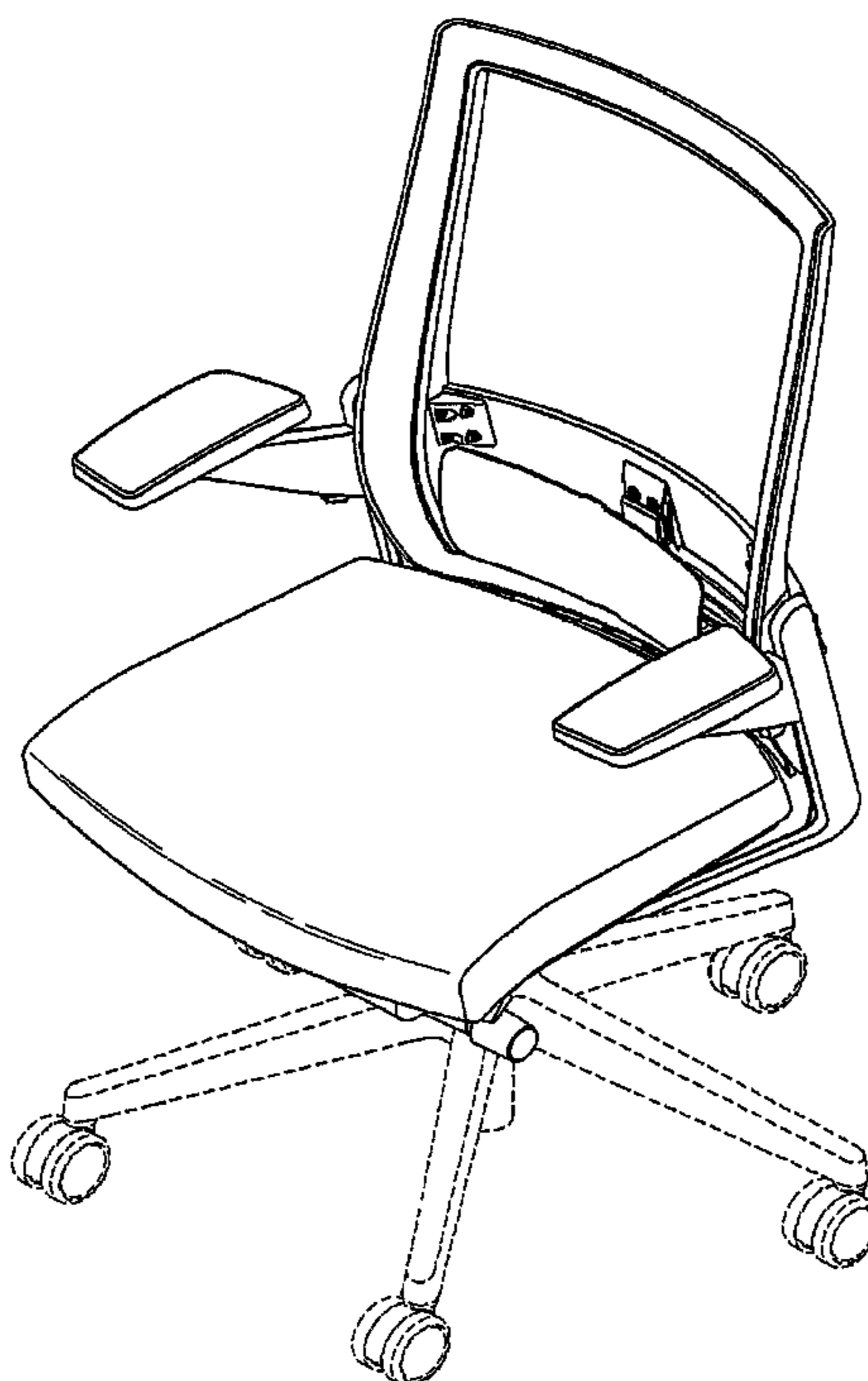
FIG. 7 is a bottom plan view of the design.

The broken lines shown in the drawings are for illustrative purposes only and form no part of the claimed design.

The claimed design is implemented on any article of metal material and synthetic resin.

The claimed design is composed of various materials such as mesh in back of a chair for domestic and office. The claimed design is a different from any former designs, which has prior shape and thus, it has a new sense of beauty and simple figure.

1 Claim, 7 Drawing Sheets



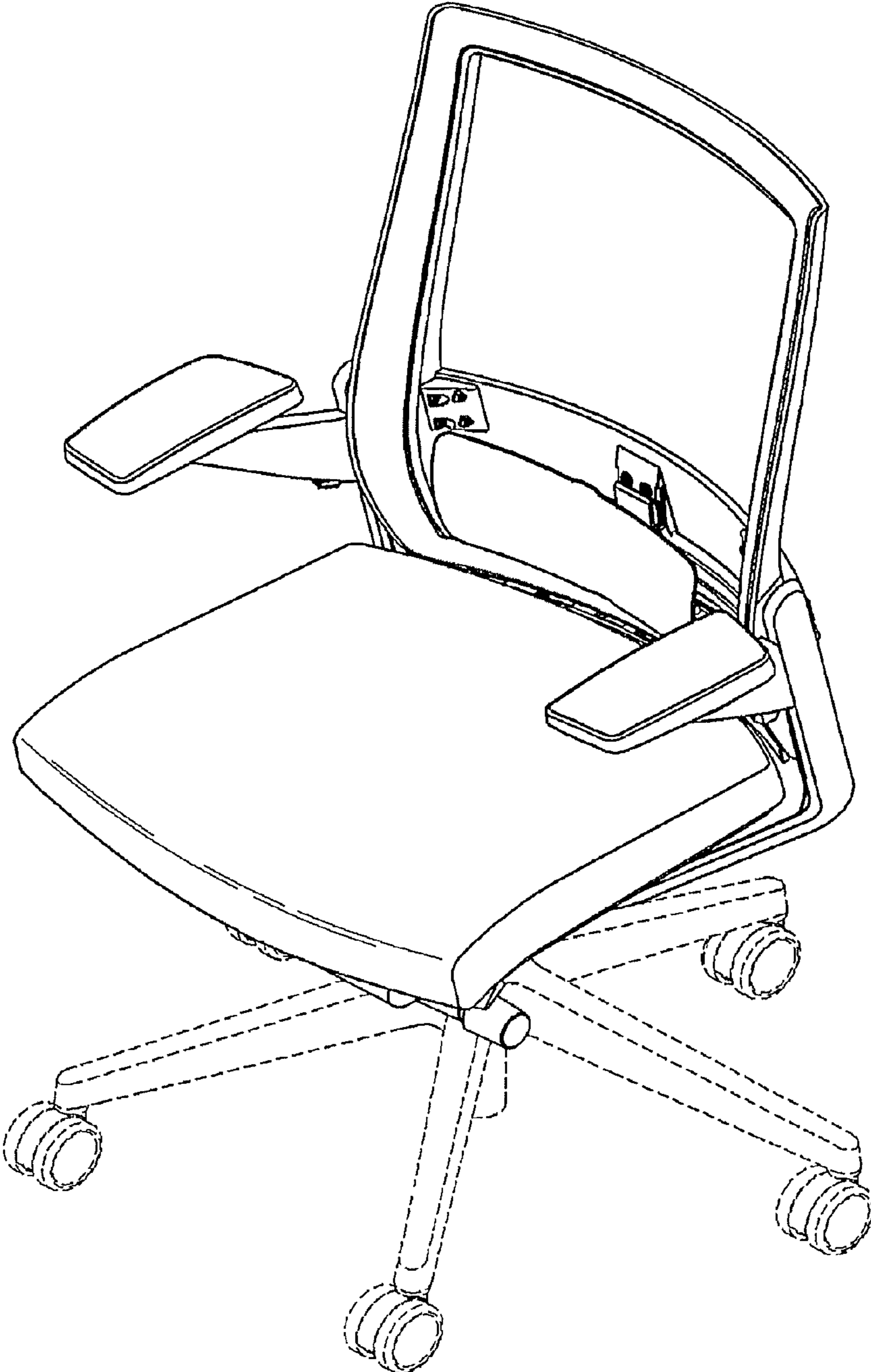


FIG. 1

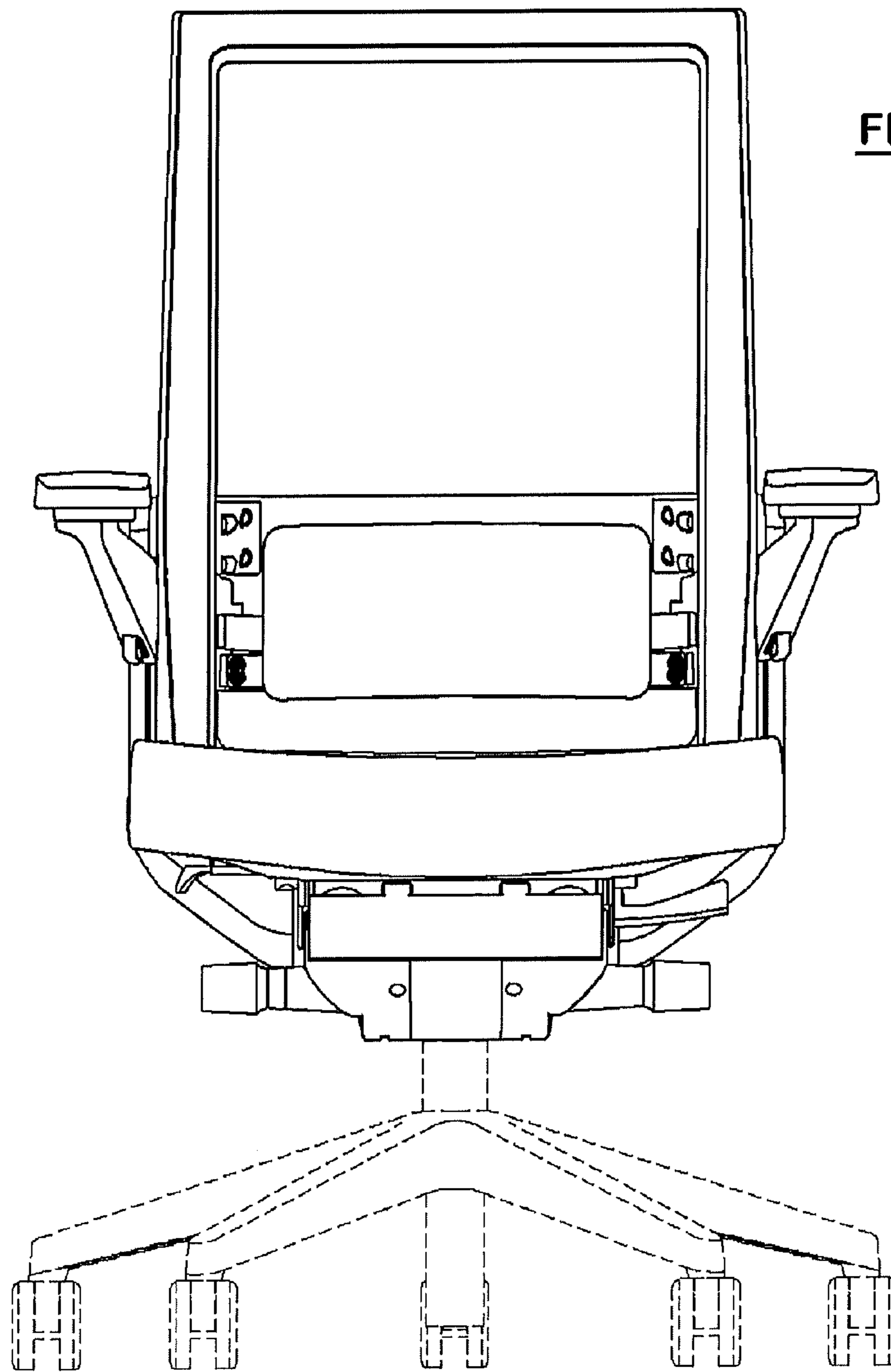


FIG. 2

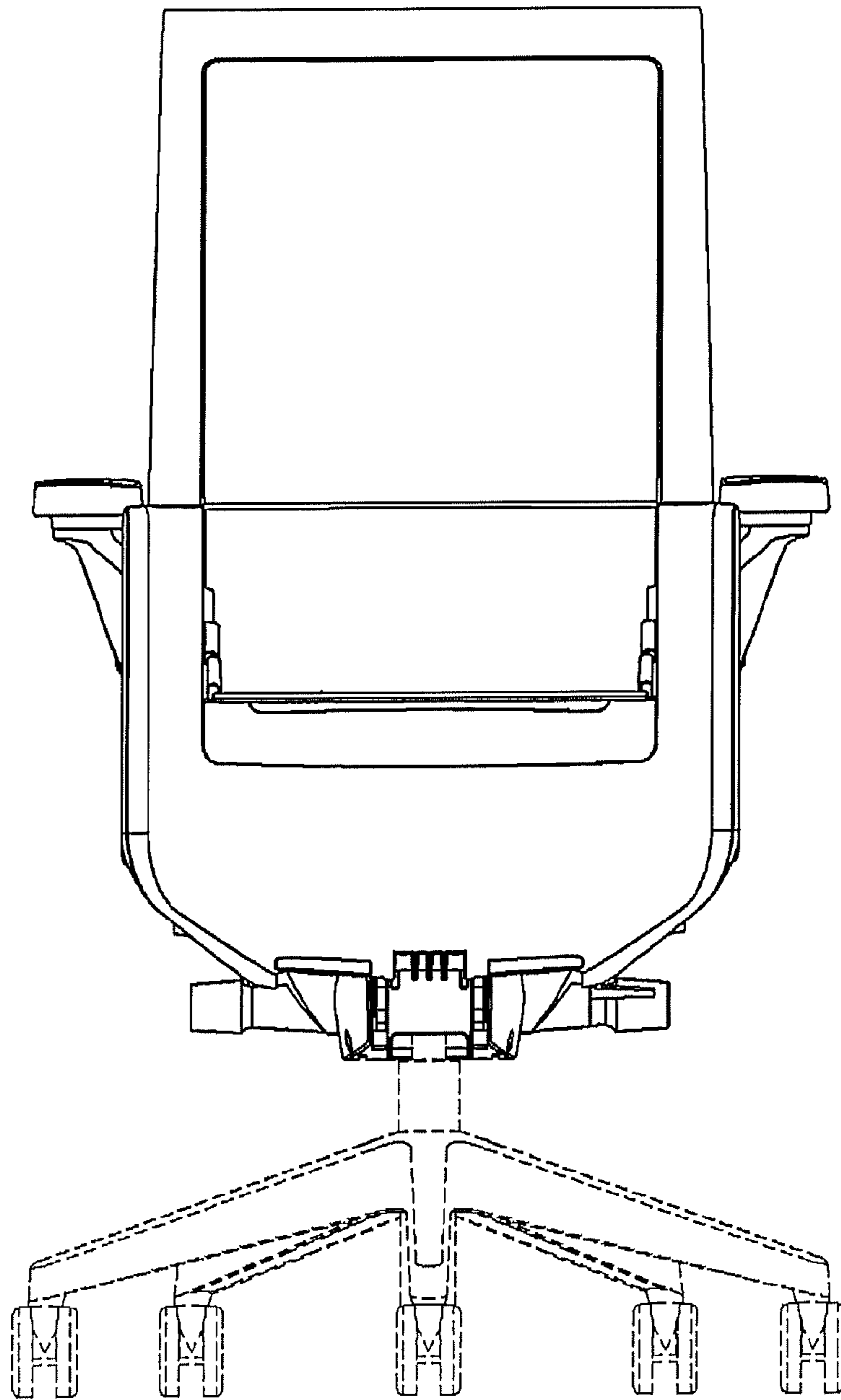


FIG. 3

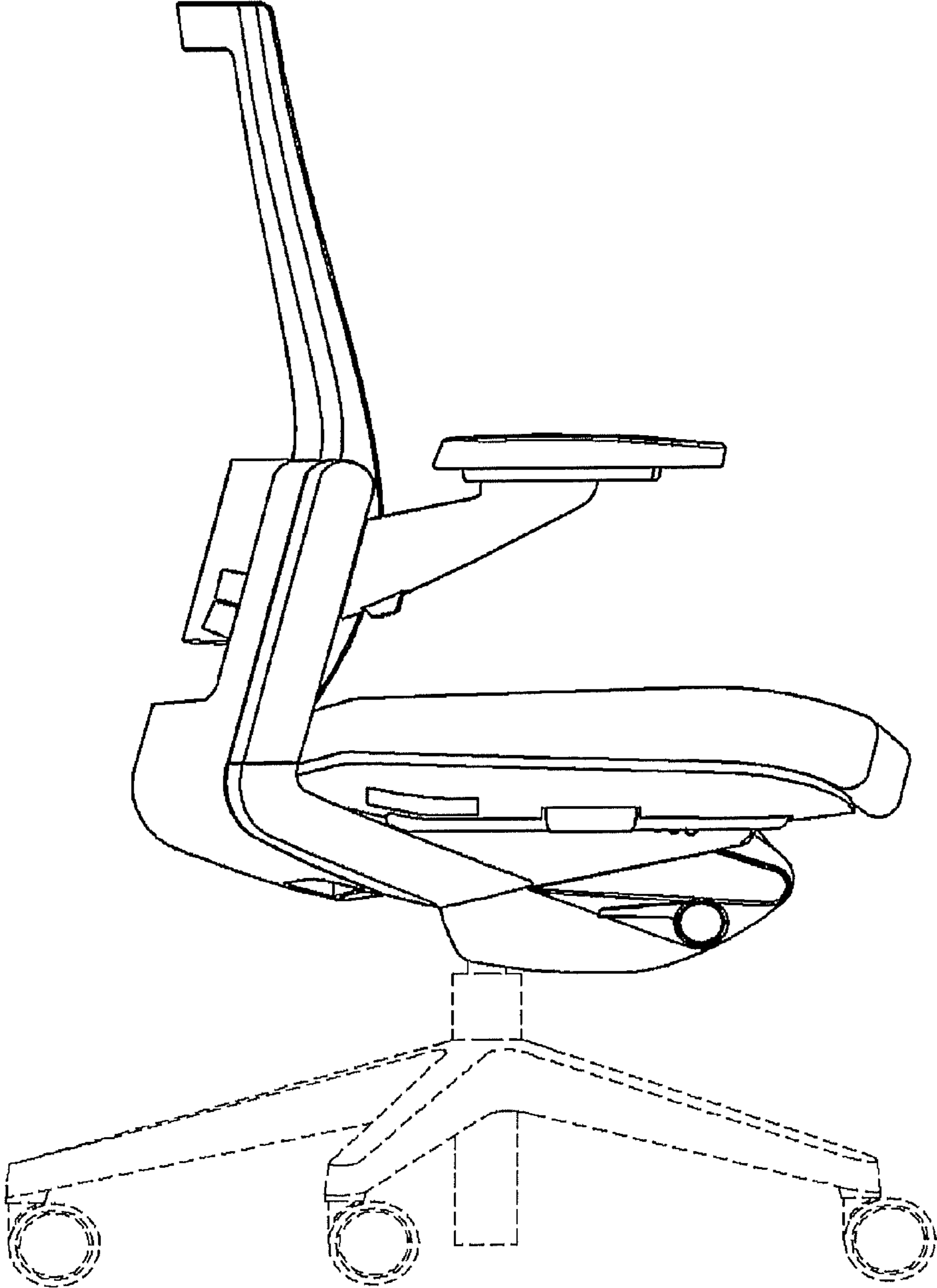


FIG. 4

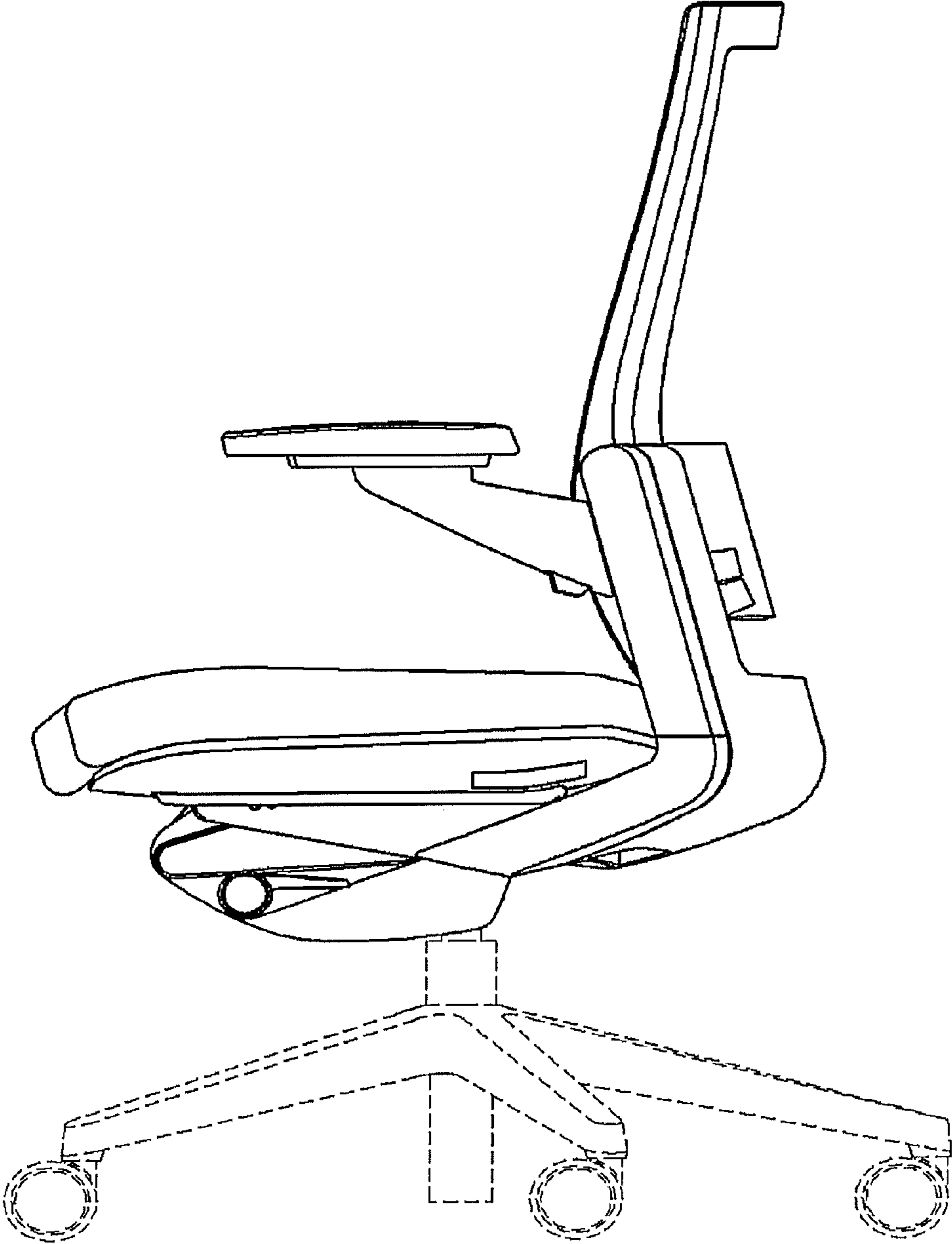


FIG. 5

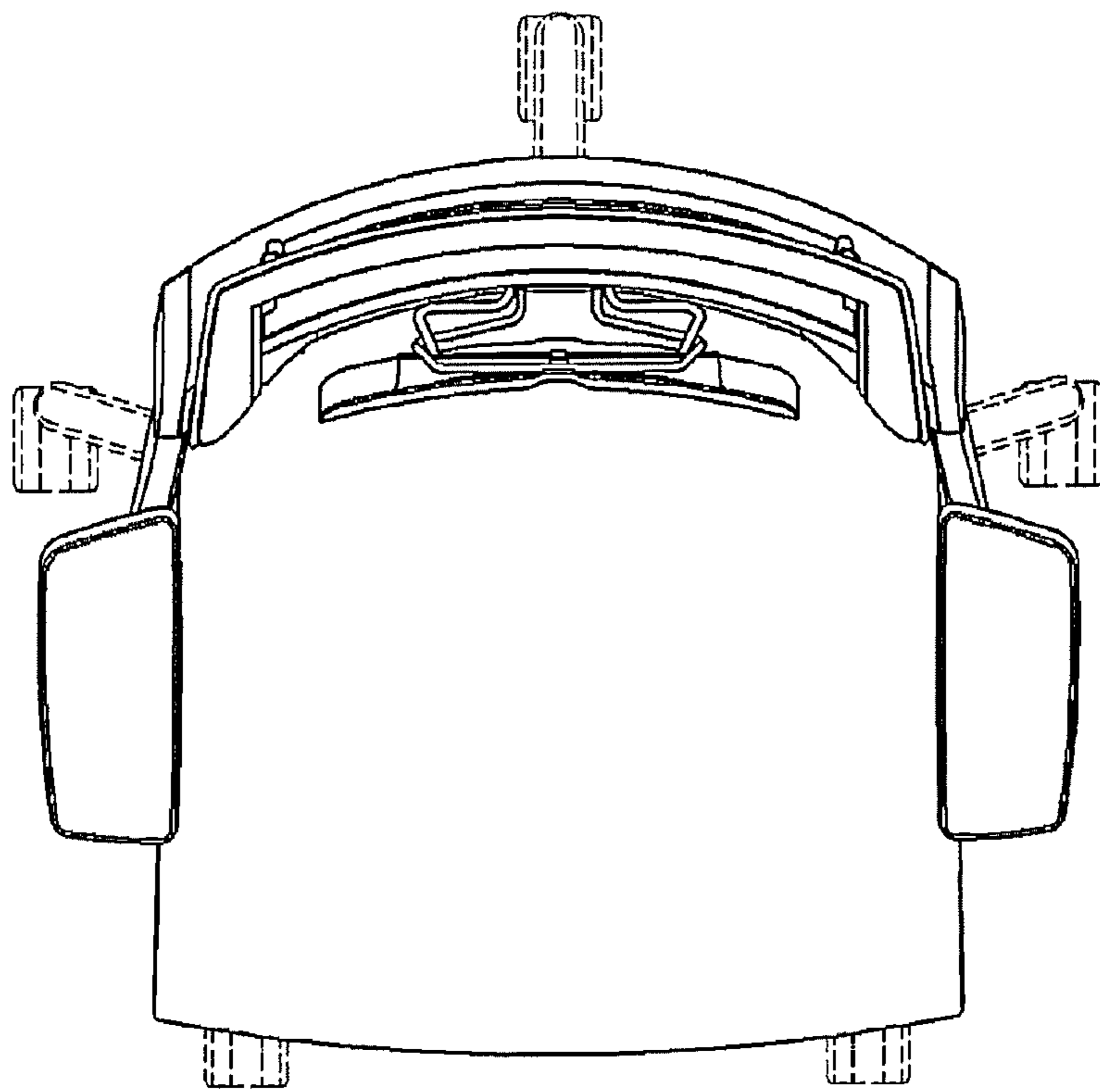


FIG. 6

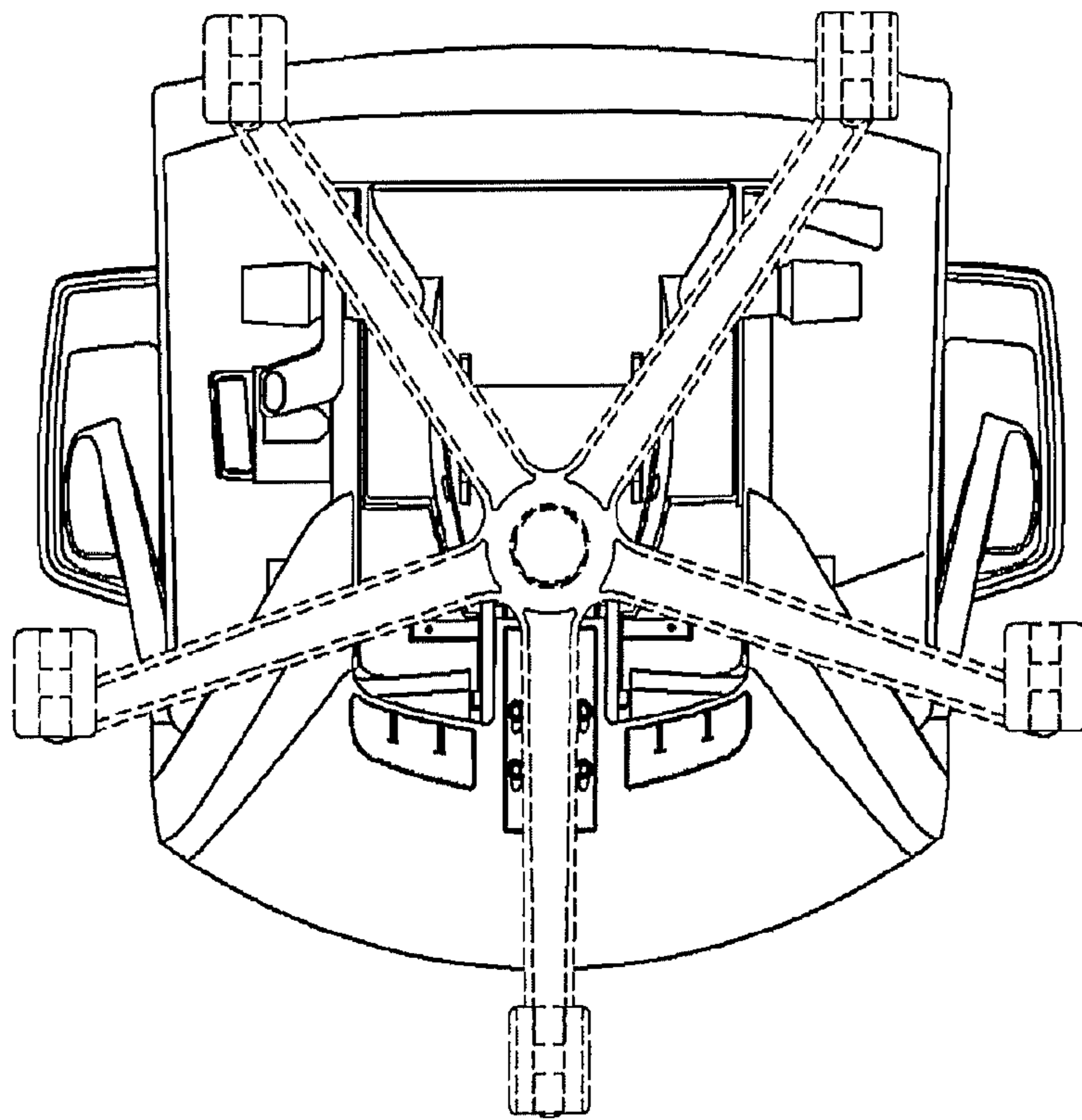


FIG. 7

UNITED STATES PATENT AND TRADEMARK OFFICE
CERTIFICATE OF CORRECTION

PATENT NO. : D724,367 S
APPLICATION NO. : 29/453523
DATED : March 17, 2015
INVENTOR(S) : Armin Sander

Page 1 of 1

It is certified that error appears in the above-identified patent and that said Letters Patent is hereby corrected as shown below:

On the Title Page

Item [71], "Armin Sander, Nuremberg (DE)" should read:

-- Sidiz, Inc., Gyeonggi-Do, Korea --;

Item [73], should read:

-- Sidiz, Inc., Gyeonggi-Do, Korea --.

Signed and Sealed this
Twenty-fourth Day of October, 2017



Joseph Matal

*Performing the Functions and Duties of the
Under Secretary of Commerce for Intellectual Property and
Director of the United States Patent and Trademark Office*