



US00D724366S

(12) **United States Design Patent**  
**Gerard**

(10) **Patent No.:** **US D724,366 S**  
(45) **Date of Patent:** **\*\* Mar. 17, 2015**

- (54) **SET OF SUPPORTS**
- (71) Applicant: **Anova Furnishings, Inc.**, St. Louis, MO (US)
- (72) Inventor: **Justin Gerard**, Lebanon, IL (US)
- (73) Assignee: **Anova Furnishings, Inc.**, St. Louis, MO (US)
- (\*\*) Term: **14 Years**
- (21) Appl. No.: **29/499,194**
- (22) Filed: **Aug. 12, 2014**
- (51) **LOC (10) Cl.** ..... **06-01**
- (52) **U.S. Cl.**  
USPC ..... **D6/709**; D6/717
- (58) **Field of Classification Search**  
CPC ..... A47C 1/14; A47C 3/16-3/20; A47C 4/00;  
A47C 4/28; A47C 5/02; A47C 5/04; A47C  
5/043; A47C 7/00-7/006; A47C 7/02; A47C  
9/00; A47C 9/02; A47C 9/002; A47C 9/007;  
A47C 9/025; A47C 9/10; A47C 11/00;  
A47C 12/00; A47C 13/00; A47C 16/02  
USPC ..... D6/333, 335, 340, 344, 347, 349-355,  
D6/358, 360, 363-365, 381, 596, 601, 685,  
D6/687, 688.15, 688.27, 690, 691, 692.3,  
D6/708.16, 709, 709.2, 709.22, 711,  
D6/716-716.7, 717  
See application file for complete search history.

D464,219 S *	10/2002	Hecht et al.	.....	D6/495
D481,211 S *	10/2003	Chipman	.....	D6/349
D526,515 S *	8/2006	Zorndorf	.....	D6/495
D547,978 S *	8/2007	Machael et al.	.....	D6/500
7,918,509 B1 *	4/2011	Chen	.....	297/440.22
D711,176 S *	8/2014	Skalka	.....	D6/717

**OTHER PUBLICATIONS**

Allure 6' Bamboo Flat Bench. [online] Retrieved Dec. 26, 2014 from URL: <<http://www.anovafurnishings.com/print.aspx?id=AL1990B>>.\*

\* cited by examiner

*Primary Examiner* — Susan Bennett Hattan

*Assistant Examiner* — Vy Koenig

(74) *Attorney, Agent, or Firm* — Lewis, Rice & Fingersh, L.C.

(57) **CLAIM**

The ornamental design for a set of supports, as shown and described.

**DESCRIPTION**

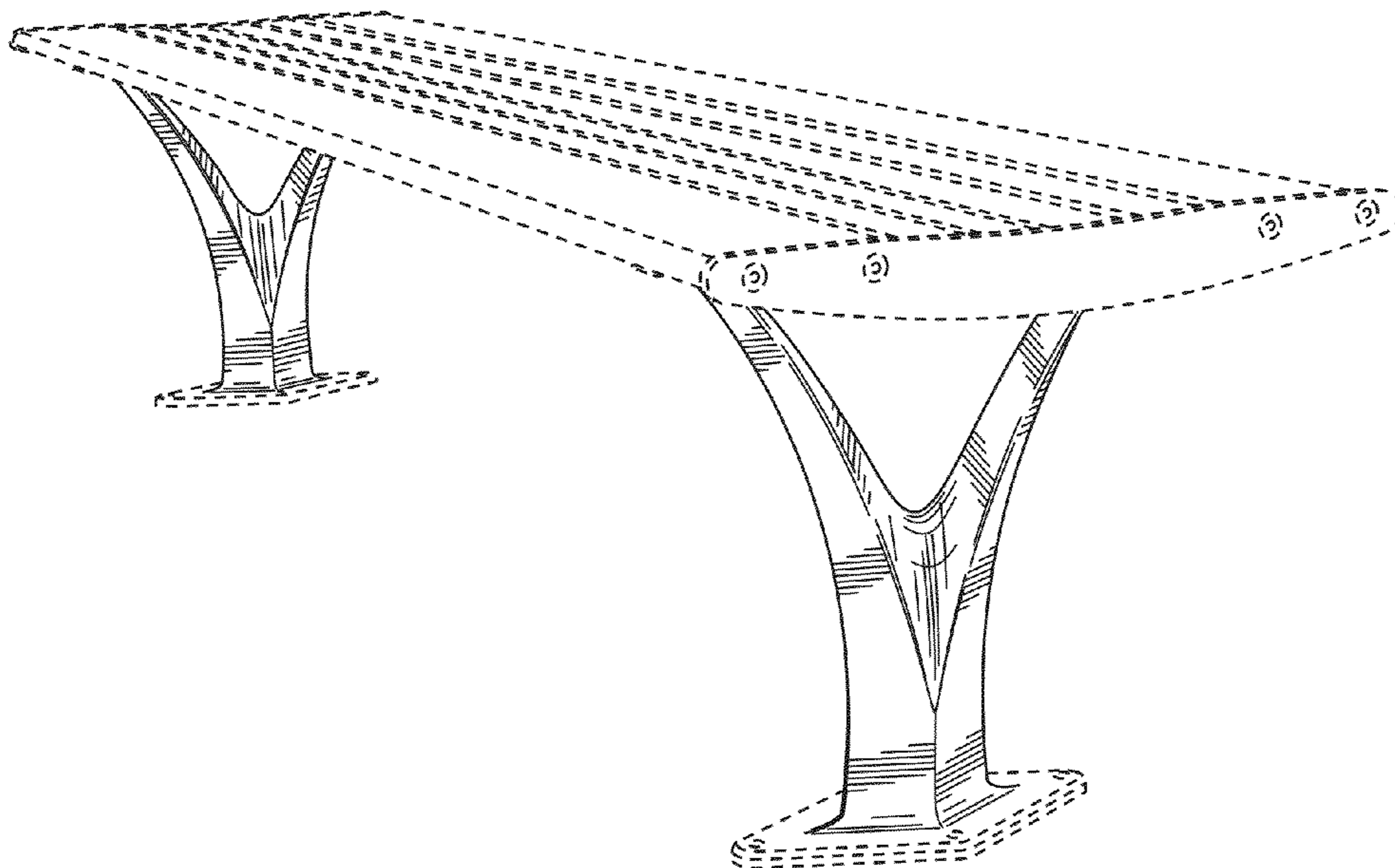
FIG. 1 is a front perspective view of a set of supports showing my new design. FIG. 2 is a side view thereof, both sides being identical; and, FIG. 3 is a front view thereof, the rear view being identical. The broken lines showing a bench surface and mounting feet depict environmental features that form part of the claimed design.

(56) **References Cited**

**U.S. PATENT DOCUMENTS**

D101,743 S \* 10/1936 Morgan ..... D6/499

**1 Claim, 3 Drawing Sheets**



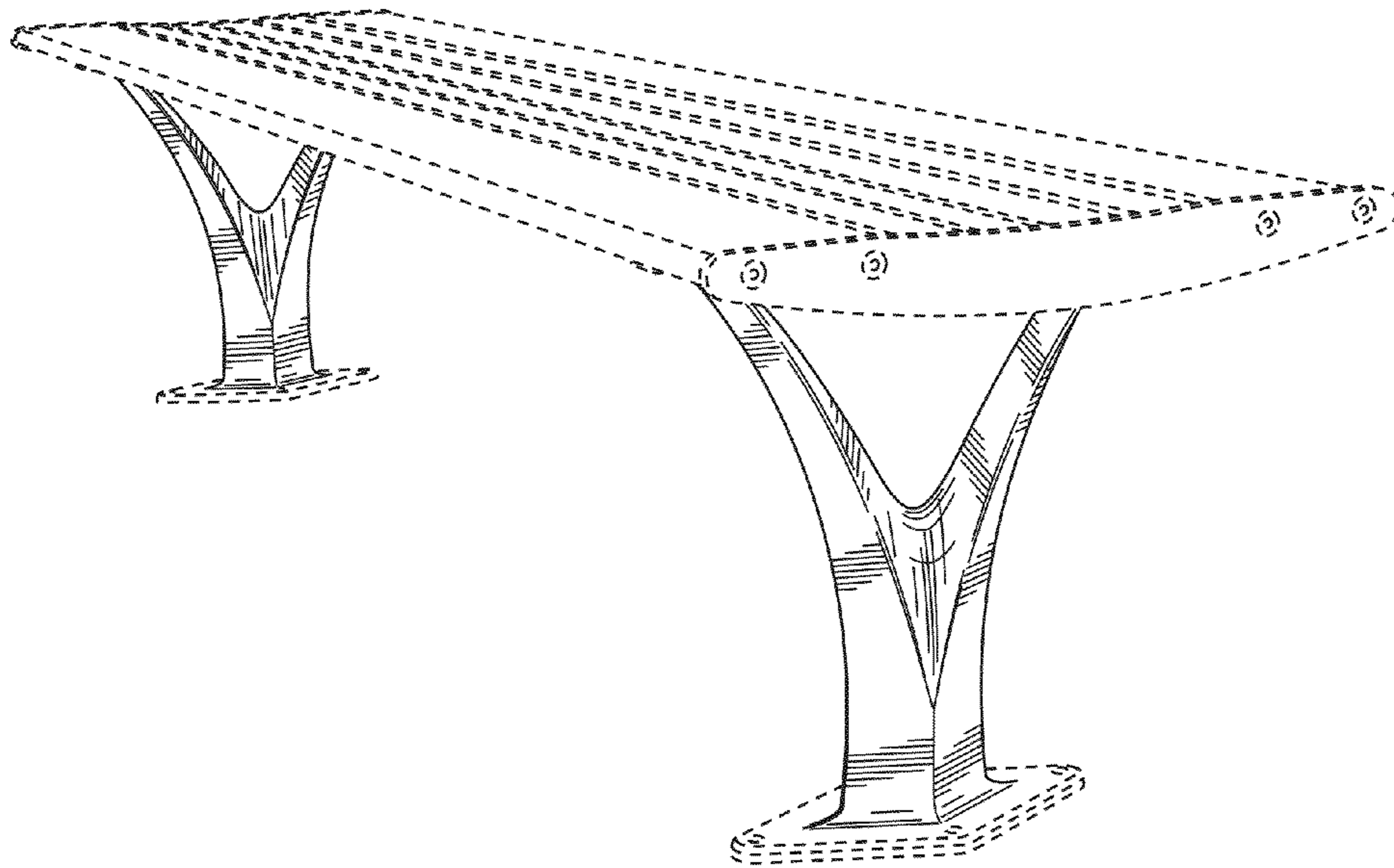


FIG. 1

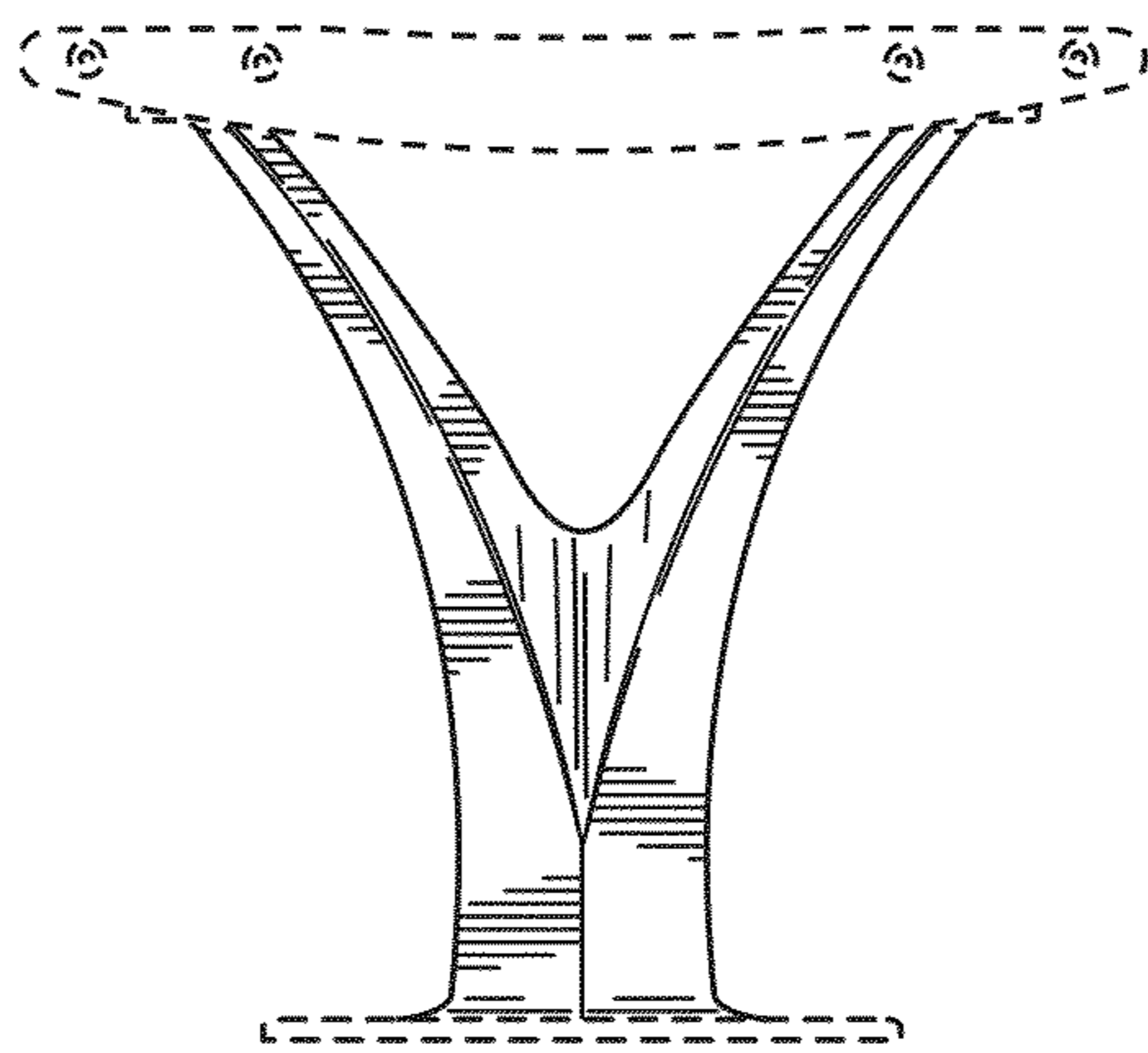


FIG. 2

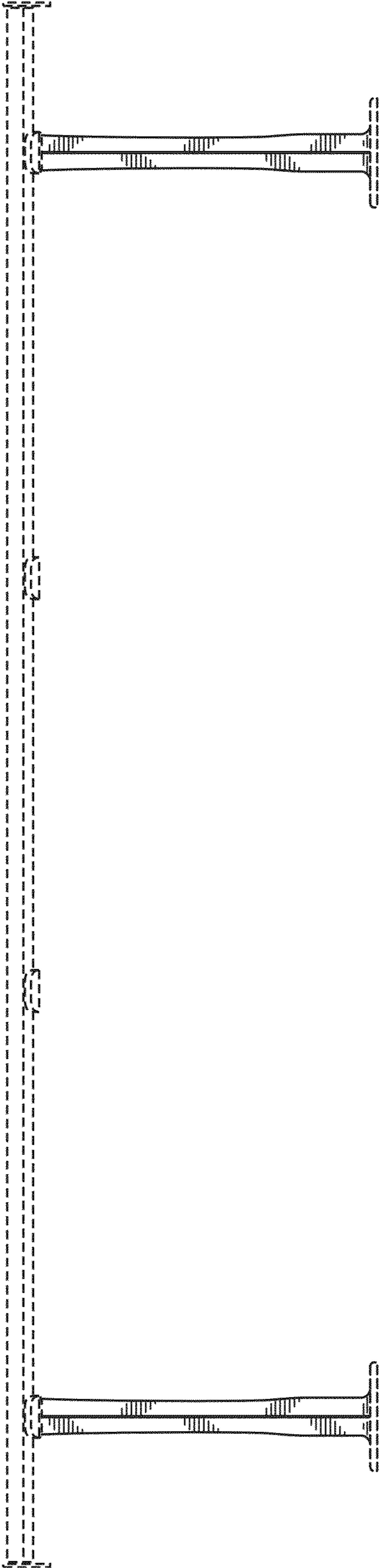


FIG. 3