

US00D724365S

(12) **United States Design Patent**
DeMars

(10) **Patent No.:** **US D724,365 S**
(45) **Date of Patent:** **** Mar. 17, 2015**

- (54) **PORTABLE BAR**
- (71) Applicant: **Robert DeMars**, La Quinta, CA (US)
- (72) Inventor: **Robert DeMars**, La Quinta, CA (US)
- (73) Assignee: **Original Ideas, Inc**, La Quinta, CA (US)
- (**) Term: **14 Years**
- (21) Appl. No.: **29/442,799**
- (22) Filed: **May 20, 2013**
- (51) **LOC (10) Cl.** **06-04**
- (52) **U.S. Cl.**
USPC **D6/699**; D6/648
- (58) **Field of Classification Search**
USPC D6/698, 699, 699.1, 699.2, 699.3, 657,
D6/664, 686, 648; 312/140.1, 140.2, 116,
312/117, 284, 286
See application file for complete search history.

D648,154 S *	11/2011	DeMars	D6/481
D652,655 S *	1/2012	Parizek et al.	D6/486
8,267,490 B2 *	9/2012	DeMars	312/258
2007/0007867 A1 *	1/2007	Zheng	312/238

* cited by examiner

Primary Examiner — Janice Seeger
(74) *Attorney, Agent, or Firm* — Dan DeLaRose

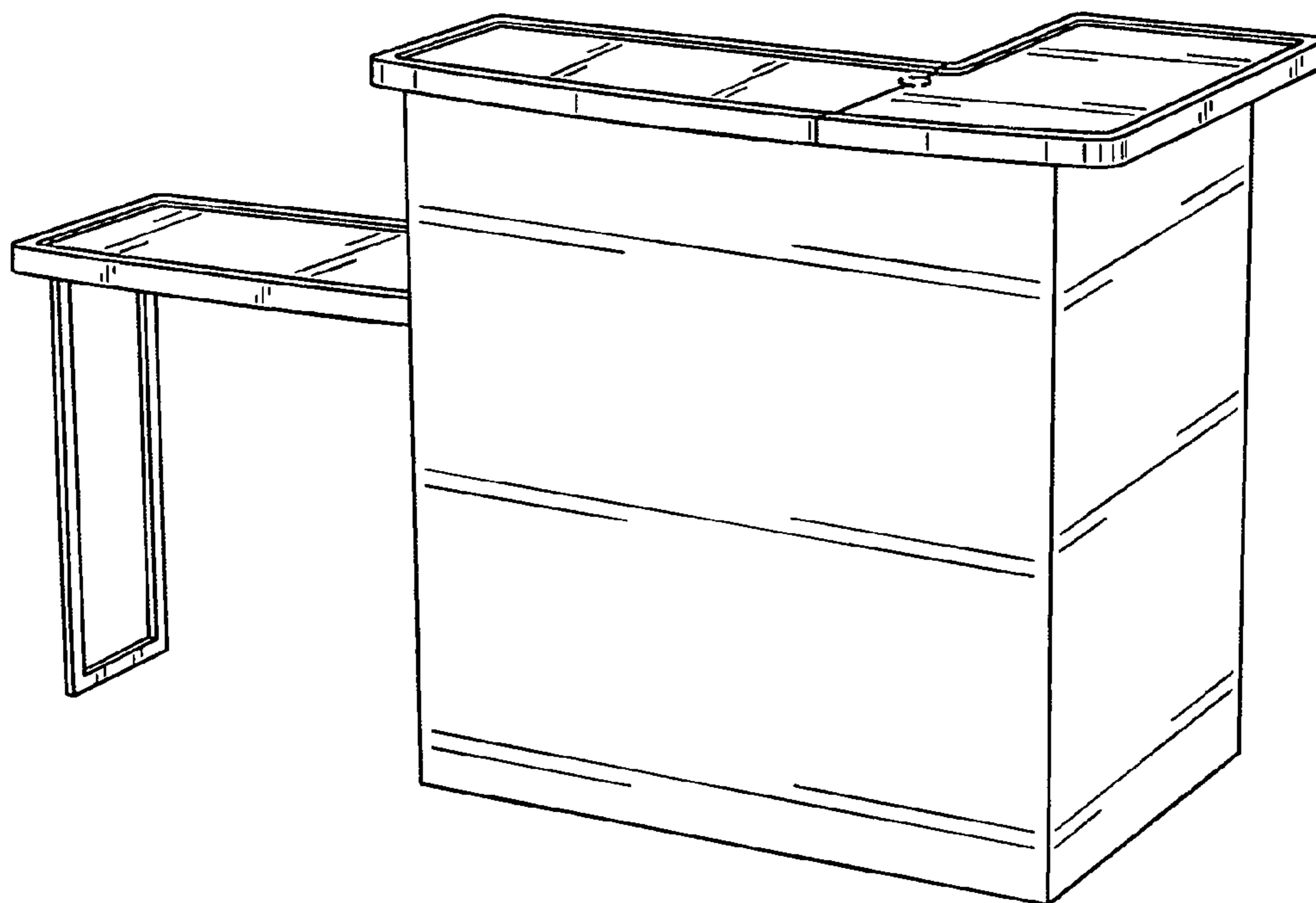
(57) **CLAIM**
The ornamental design for a portable bar, as shown and described.

DESCRIPTION

FIG. 1 is a front perspective view of the portable bar of the present invention showing my new design;
FIG. 2 is a back perspective view of the portable bar;
FIG. 3 is a front side elevational view thereof;
FIG. 4 is a back side elevational view thereof;
FIG. 5 is a side elevational view thereof;
FIG. 6 is another side elevational view thereof;
FIG. 7 is a top plan view thereof; and,
FIG. 8 is a bottom plan view thereof.
The broken lines are for environmental purposes only and form no part of the claimed design.

- (56) **References Cited**
U.S. PATENT DOCUMENTS
2,693,401 A * 11/1954 Brown 312/238
D219,279 S * 11/1970 Beavers D6/427

1 Claim, 8 Drawing Sheets



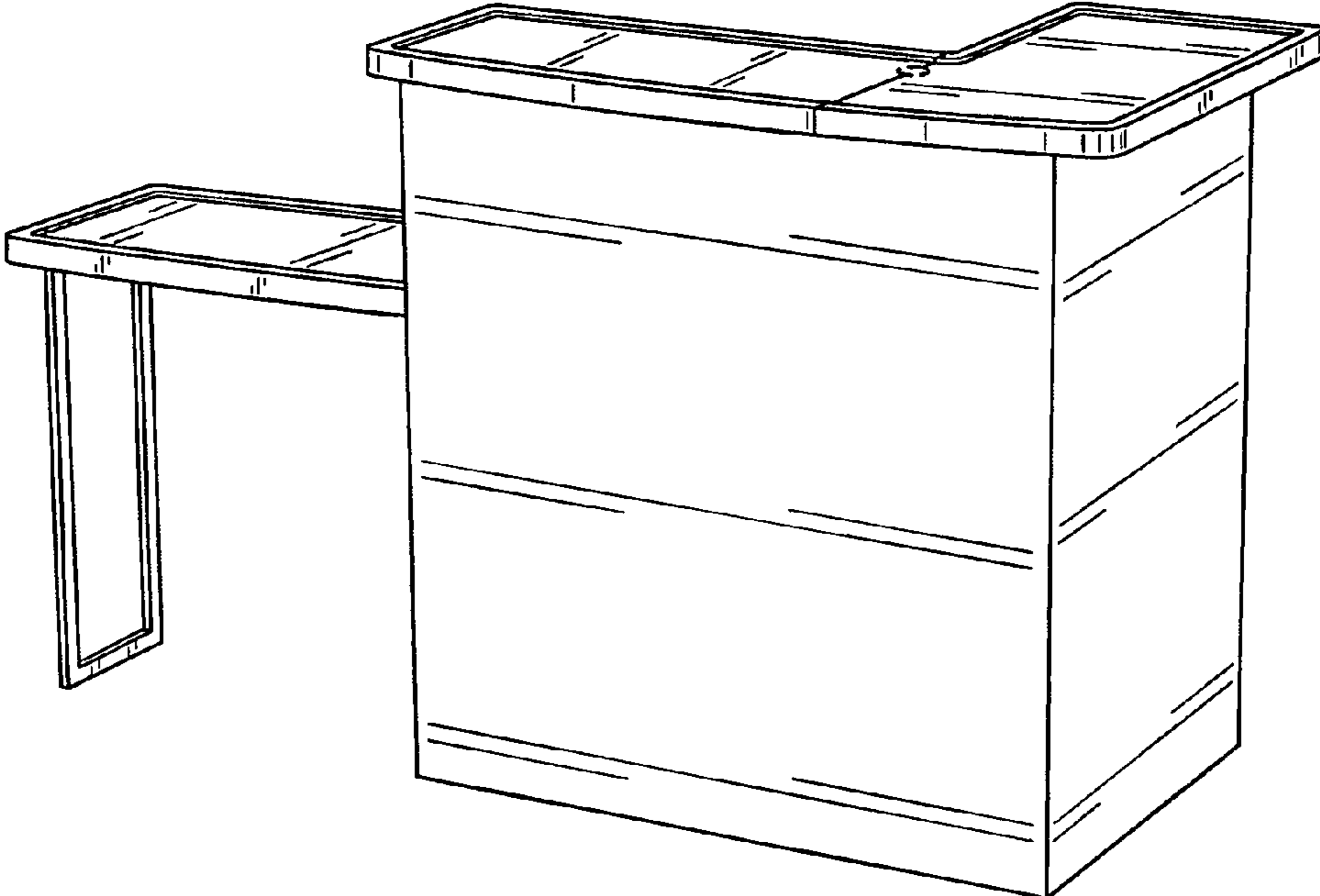


FIG. 1

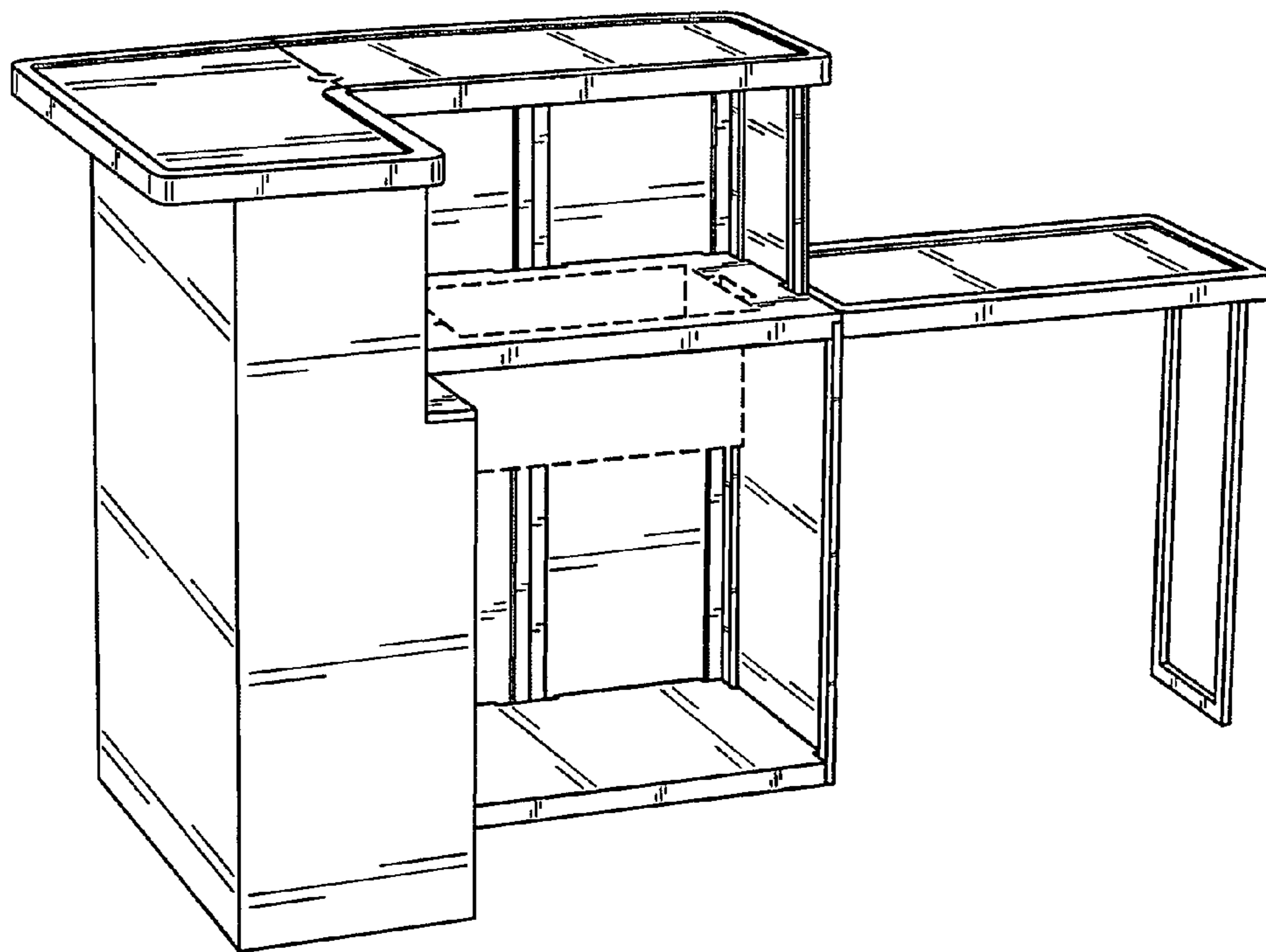


FIG. 2

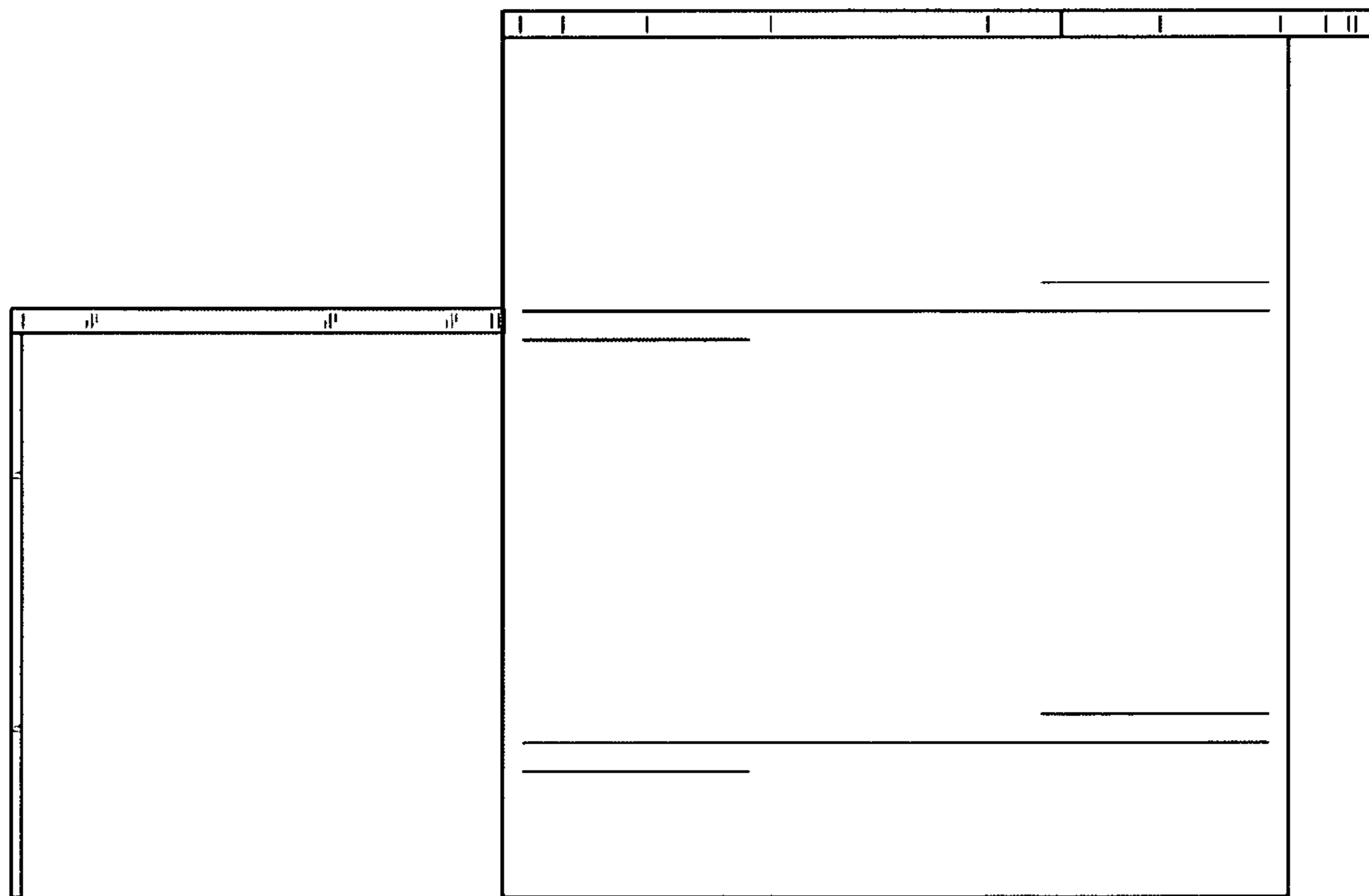


FIG. 3

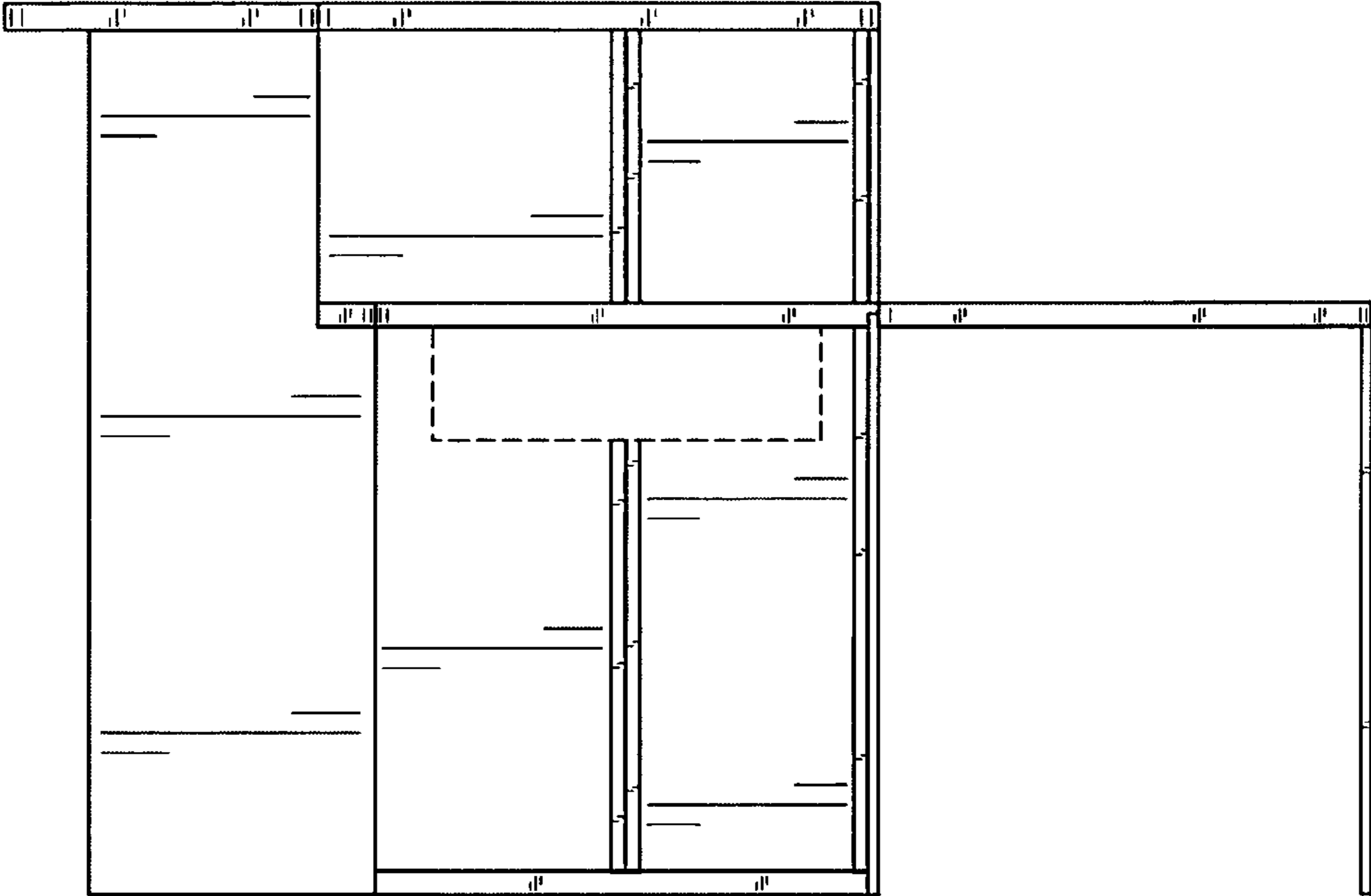


FIG. 4

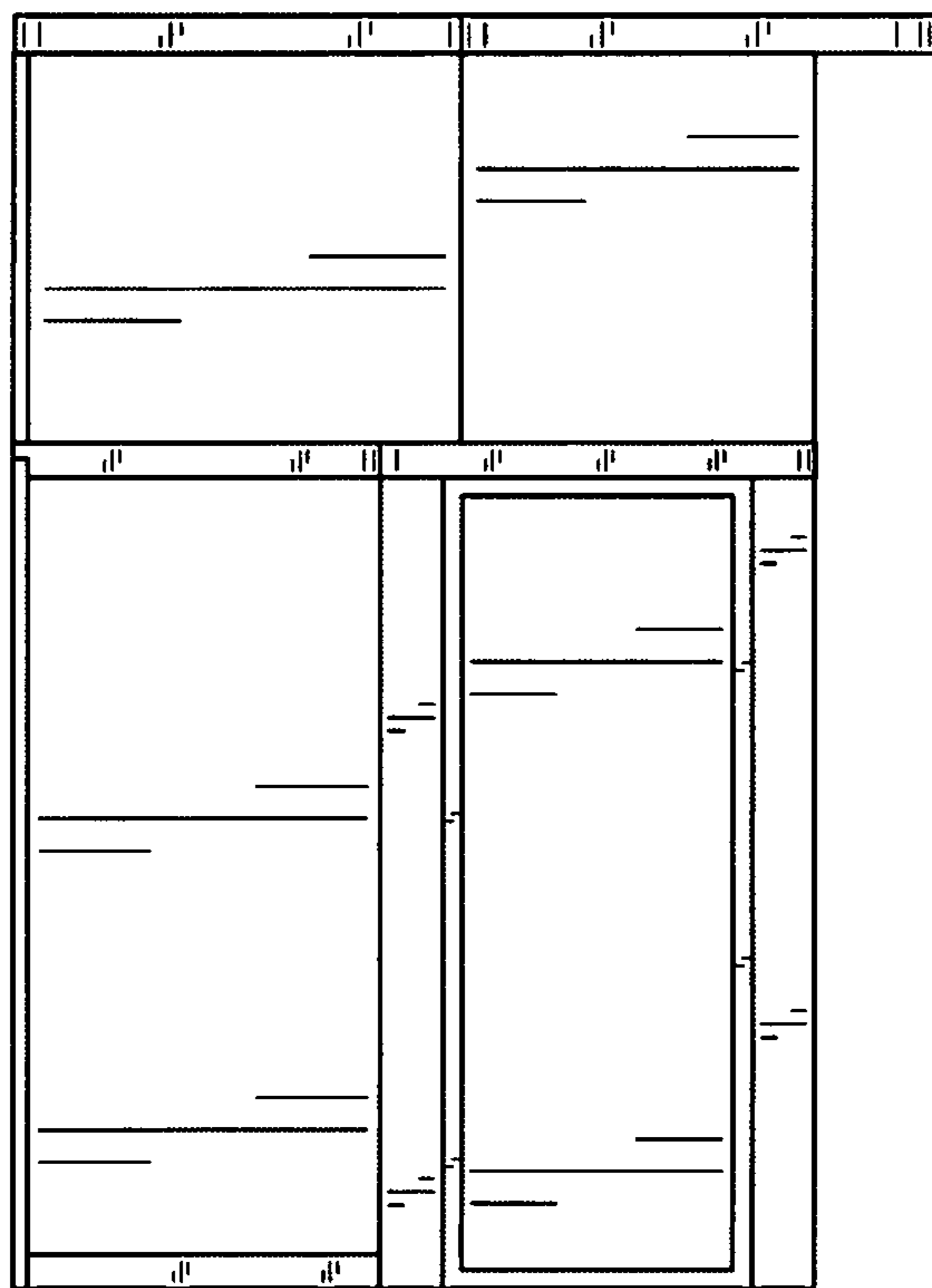


FIG. 5

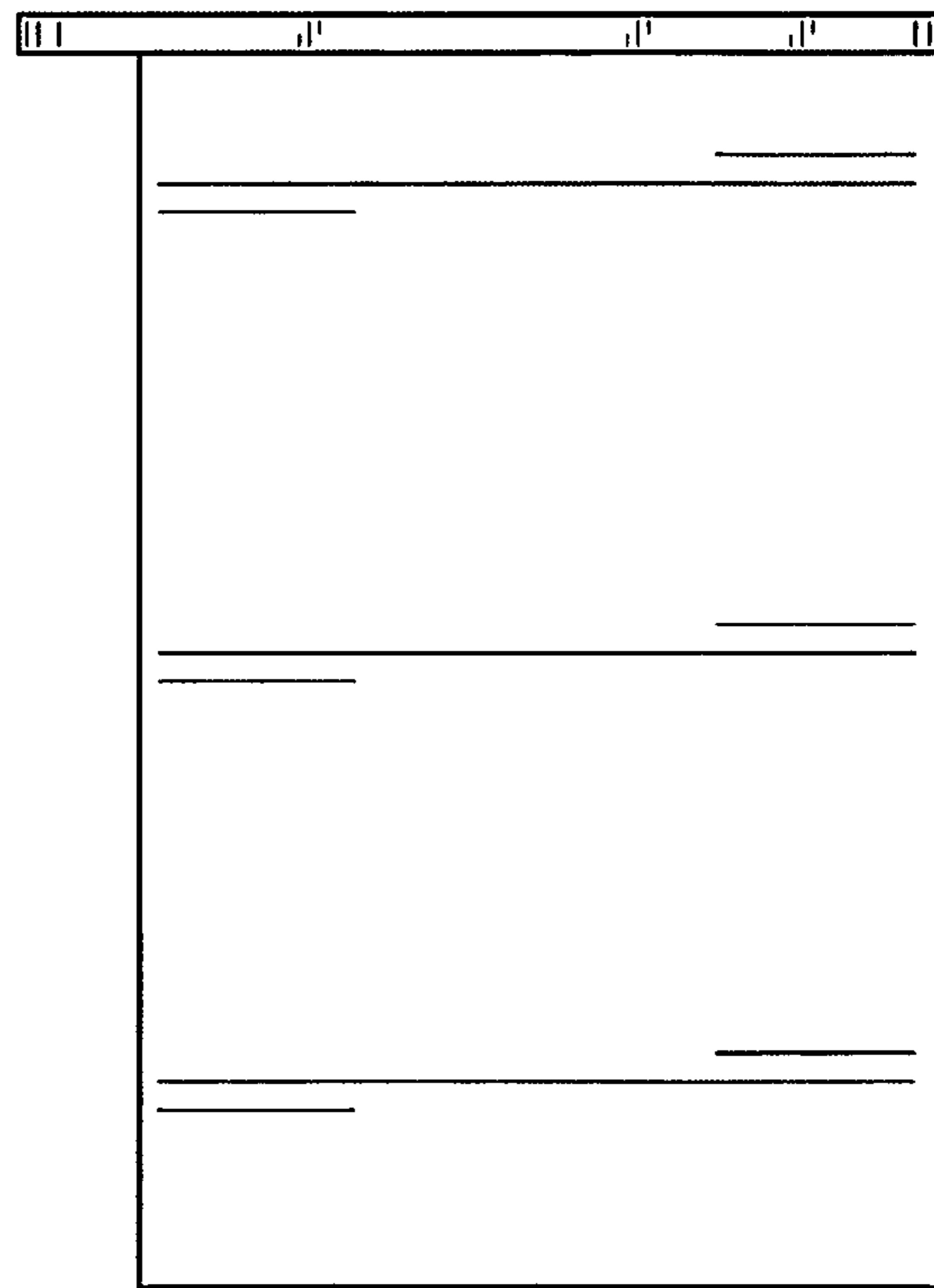


FIG. 6

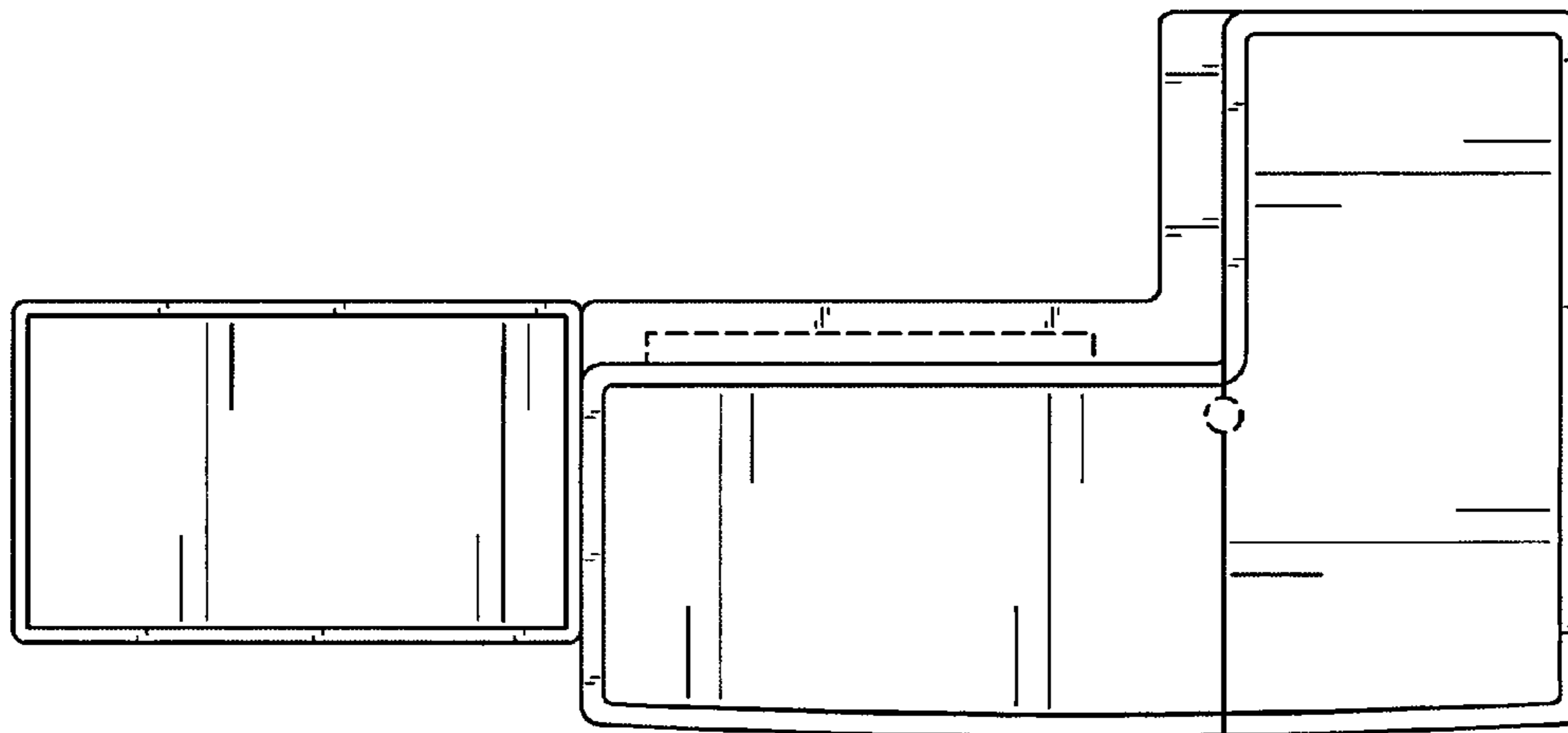


FIG. 7

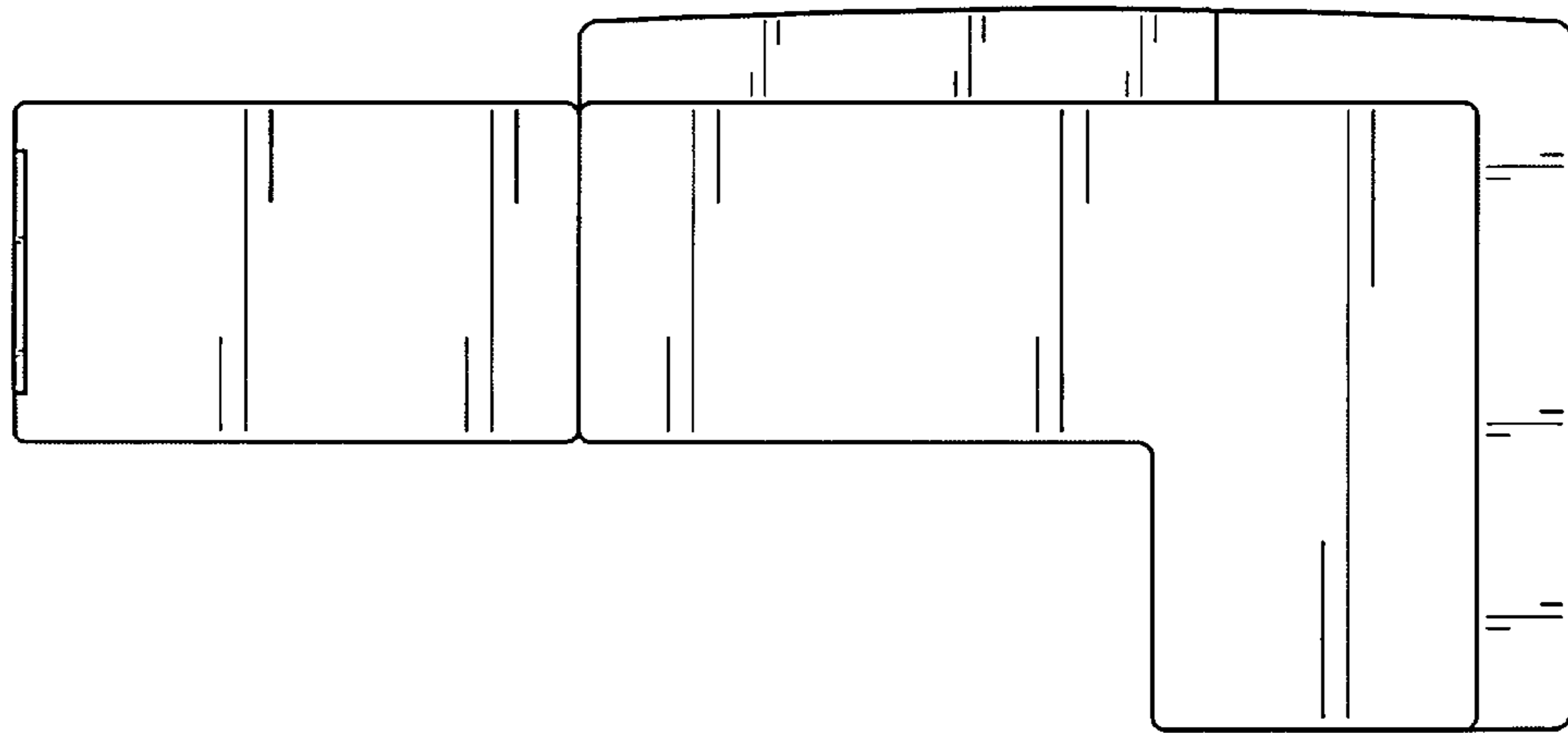


FIG. 8