



US00D724361S

(12) **United States Design Patent**  
**Murchison et al.**

(10) **Patent No.:** **US D724,361 S**  
(45) **Date of Patent:** **\*\* Mar. 17, 2015**

- (54) **ARTICLE DISPLAY**
- (71) Applicant: **The Procter & Gamble Company**,  
Cincinnati, OH (US)
- (72) Inventors: **Tracy Renae Murchison**, Springboro,  
OH (US); **Aleksandra Agnieszka Idzikowska**,  
Cincinnati, OH (US); **Peter Karl Patzak**,  
Darmstadt (DE); **Marek Mikovec**,  
Czech Republic (CZ)
- (73) Assignee: **The Procter & Gamble Company**,  
Cincinnati, OH (US)
- (\*\*) Term: **14 Years**
- (21) Appl. No.: **29/503,112**
- (22) Filed: **Sep. 23, 2014**
- (51) **LOC (10) Cl.** ..... **06-06**
- (52) **U.S. Cl.**  
USPC ..... **D6/682.1**
- (58) **Field of Classification Search**  
USPC ..... D6/300–314, 466, 469, 495, 512,  
D6/672–673, 678, 682–682.1; D10/15, 40;  
D14/375; 40/700, 735, 765, 780, 760,  
40/152, 152.1, 154–157; D11/131, 164  
See application file for complete search history.

|              |         |                    |          |
|--------------|---------|--------------------|----------|
| D396,783 S * | 8/1998  | Lee .....          | D7/701   |
| D454,702 S * | 3/2002  | Doeing .....       | D6/310   |
| D465,660 S * | 11/2002 | Doeing .....       | D6/310   |
| D488,626 S * | 4/2004  | Kruger .....       | D6/309   |
| D512,841 S * | 12/2005 | Dirks .....        | D6/300   |
| D533,358 S * | 12/2006 | Bhavnani .....     | D6/301   |
| D533,806 S * | 12/2006 | Kaneko et al. .... | D11/131  |
| D544,727 S * | 6/2007  | Valdez et al. .... | D6/466   |
| D546,075 S * | 7/2007  | Kreiss .....       | D6/309   |
| D584,898 S * | 1/2009  | Chang .....        | D6/309   |
| D588,823 S * | 3/2009  | Butcher .....      | D6/309   |
| D592,409 S * | 5/2009  | Wu .....           | D6/309   |
| D632,093 S * | 2/2011  | Butcher .....      | D6/309   |
| D637,414 S * | 5/2011  | Butcher .....      | D6/309   |
| D643,231 S * | 8/2011  | Huang .....        | D6/449   |
| D688,074 S * | 8/2013  | Lin .....          | D6/708.2 |
| D690,140 S * | 9/2013  | Baylar .....       | D6/675   |

\* cited by examiner

*Primary Examiner* — Kelley Donnelly

(74) *Attorney, Agent, or Firm* — Linda M. Sivik

(57) **CLAIM**

The ornamental design for an article display, as shown and described.

**DESCRIPTION**

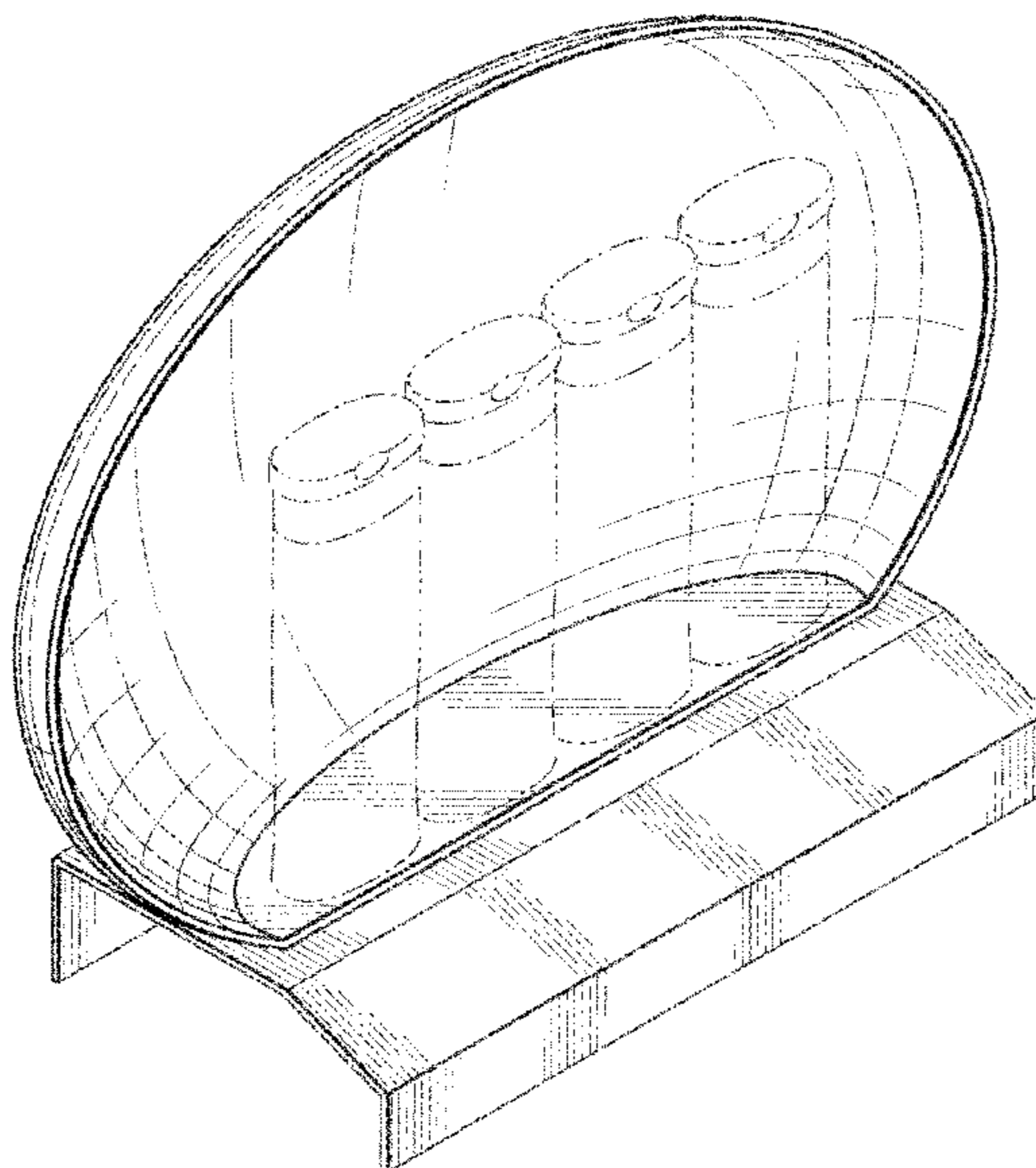
FIG. 1 is a perspective view of an article display, embodying an embodiment of our new design;  
 FIG. 2 is a front elevational view of the article display of FIG. 1;  
 FIG. 3 is a side elevational view of the article display of FIG. 1;  
 FIG. 4 is a back elevational view of the article display of FIG. 1;  
 FIG. 5 is a top view of the article display of FIG. 1; and,  
 FIG. 6 is a bottom plan view of the article display of FIG. 1.  
 The broken lines shown in the drawings are for illustrative purposes only and form no part of the claimed design.

**1 Claim, 3 Drawing Sheets**

(56) **References Cited**

**U.S. PATENT DOCUMENTS**

|               |        |                     |         |
|---------------|--------|---------------------|---------|
| D288,154 S *  | 2/1987 | Hobgood .....       | D6/466  |
| D290,447 S *  | 6/1987 | Evans .....         | D11/131 |
| 4,807,377 A * | 2/1989 | Stuckel .....       | 40/711  |
| D306,528 S *  | 3/1990 | Worley .....        | D6/309  |
| D317,531 S *  | 6/1991 | Evans .....         | D6/309  |
| D334,667 S *  | 4/1993 | Lonczak et al. .... | D6/308  |
| D370,581 S *  | 6/1996 | Loznikov .....      | D6/495  |
| D392,110 S *  | 3/1998 | Tsui .....          | D6/309  |



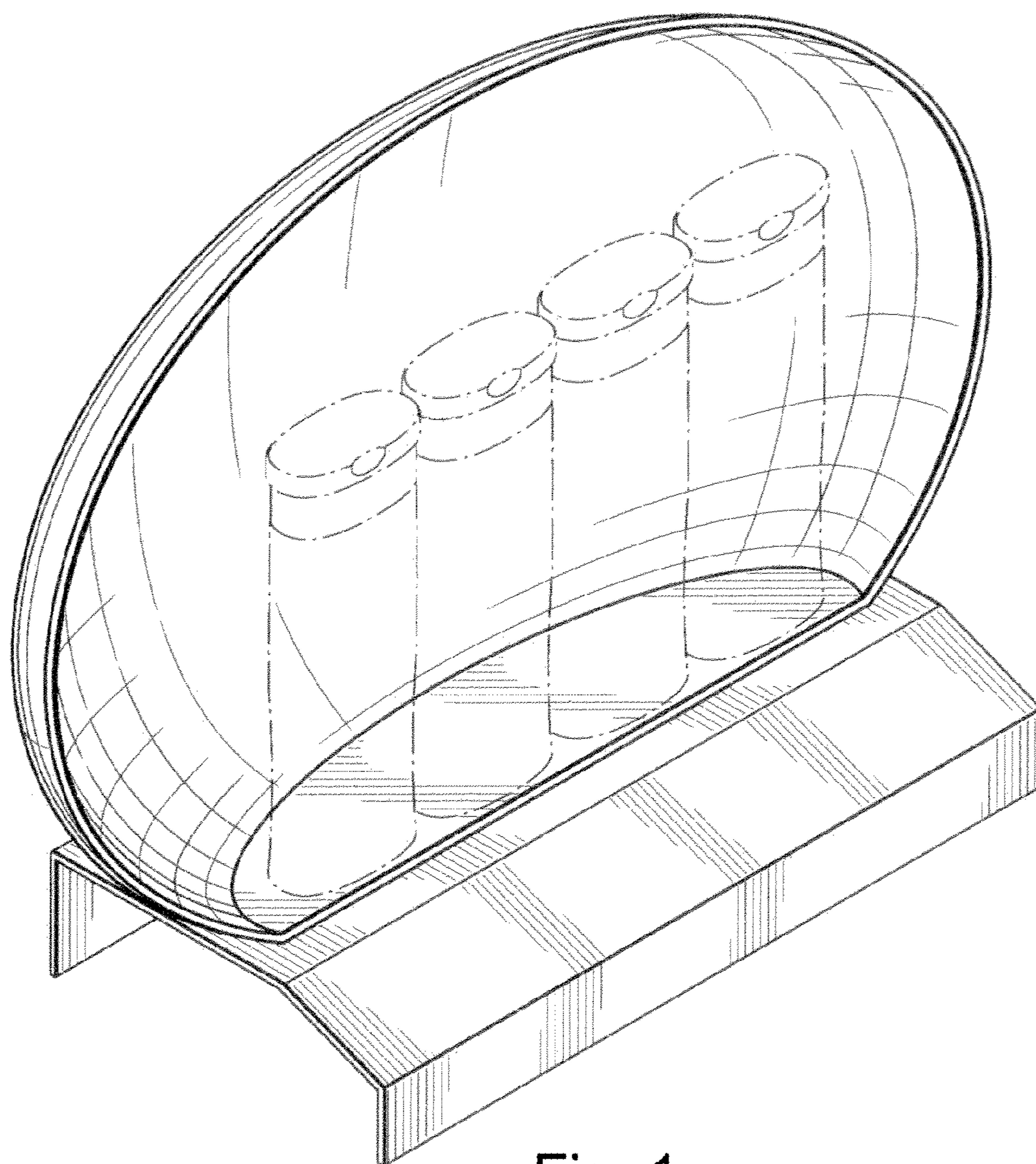


Fig. 1

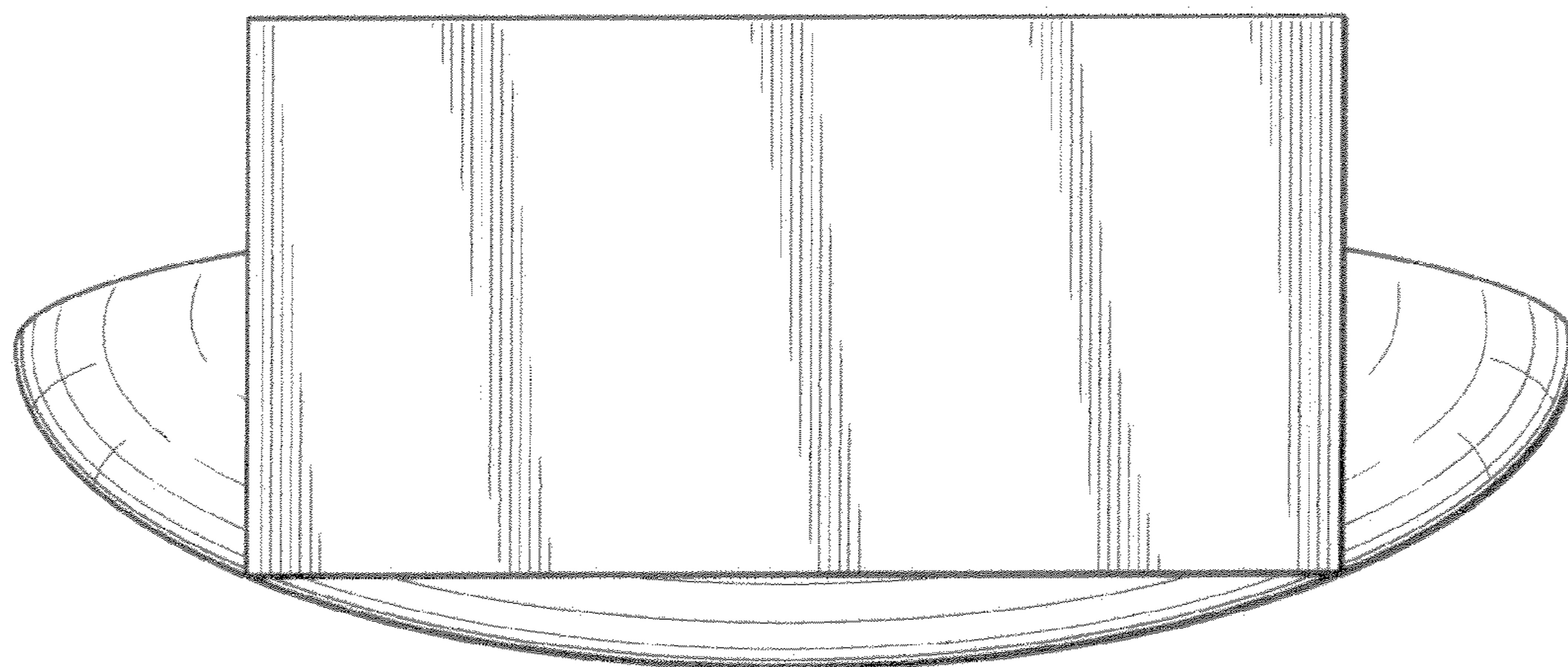


Fig. 6

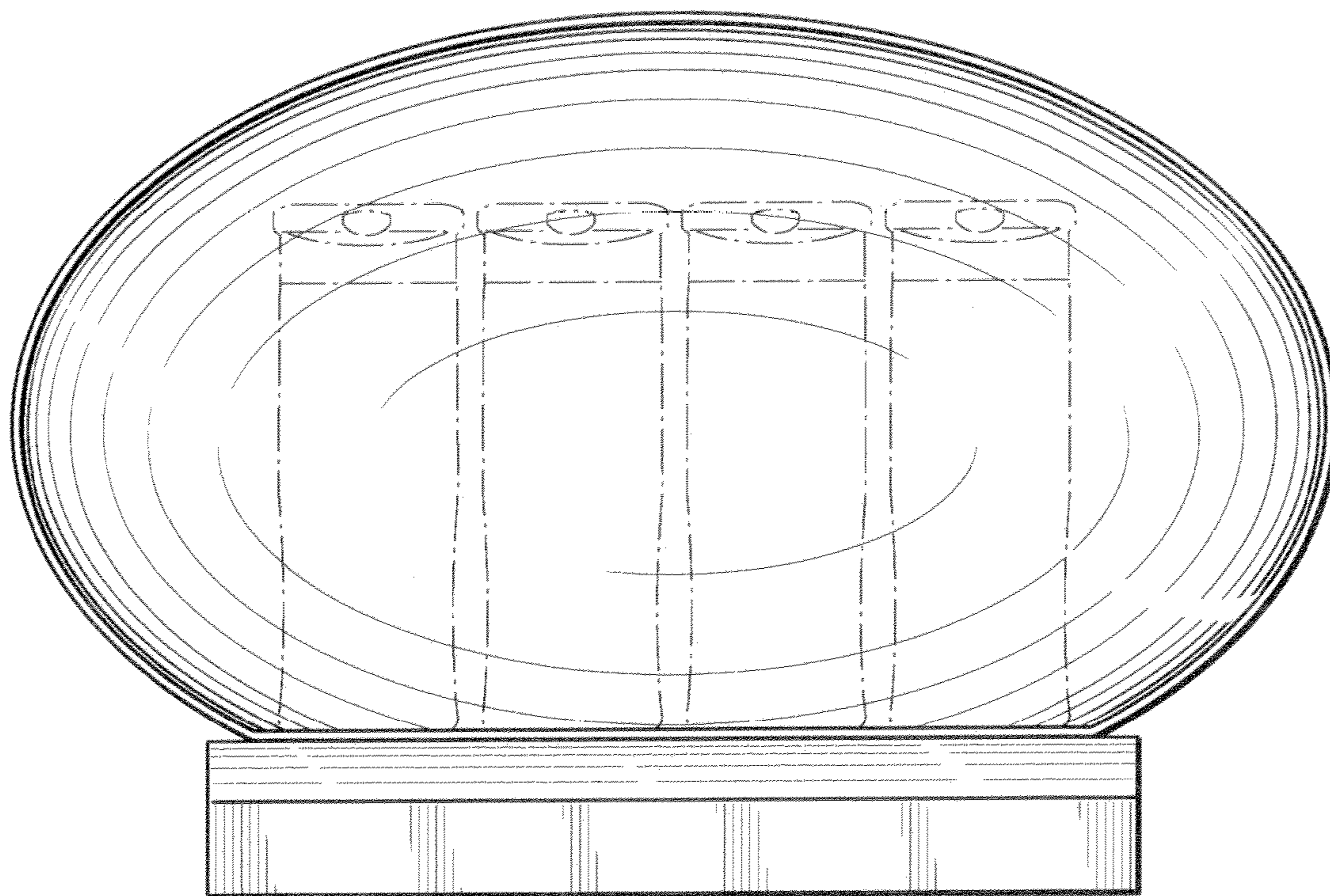


Fig. 2

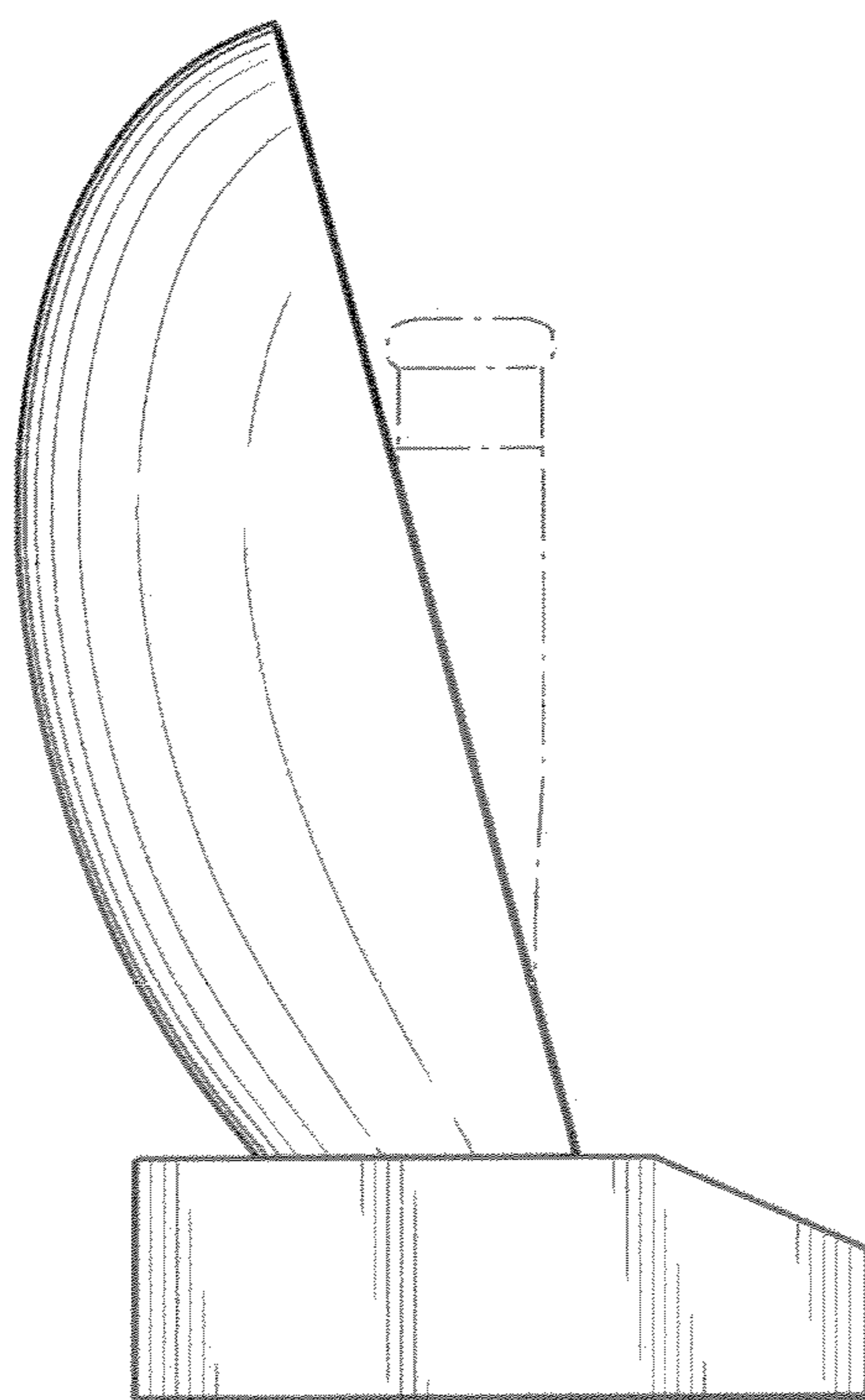


Fig. 3

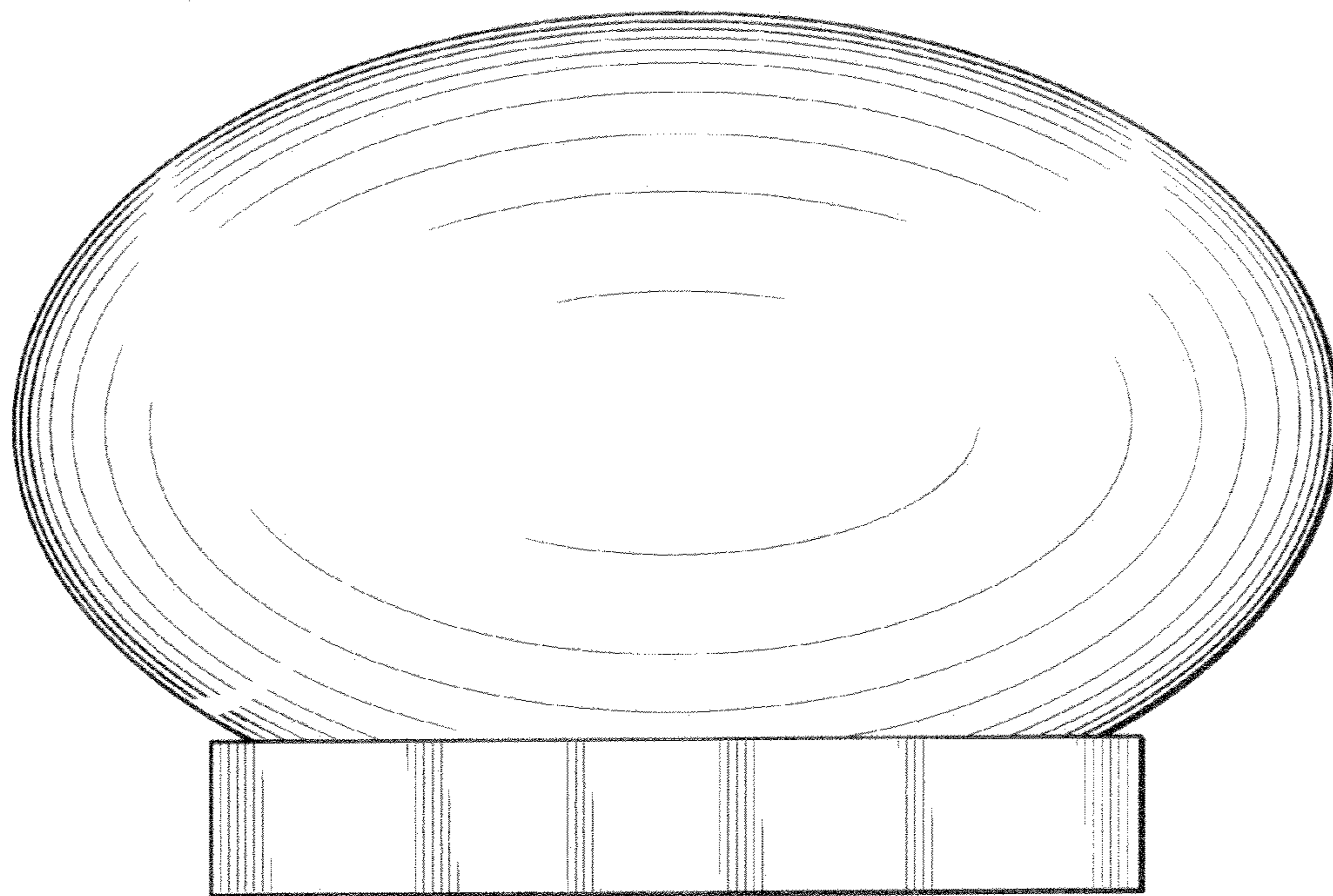


Fig. 4

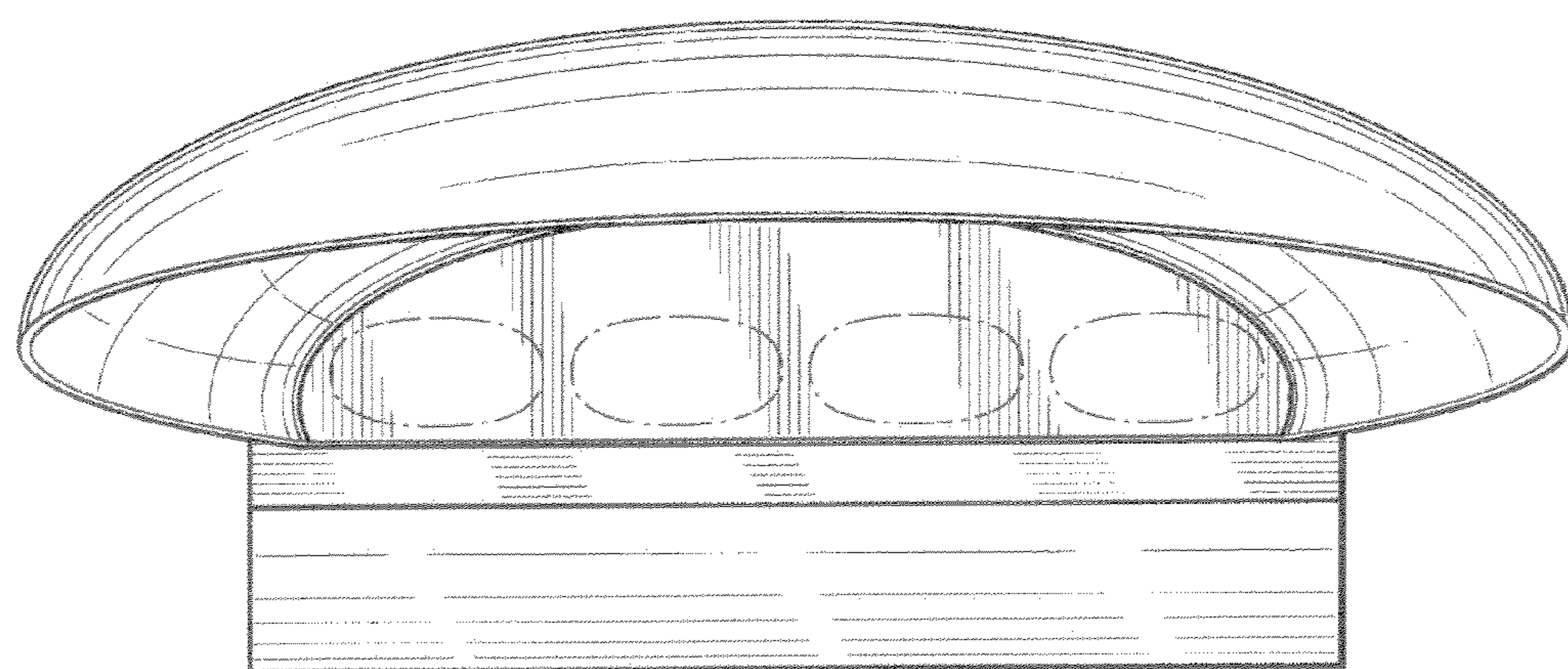


Fig. 5