



US00D724360S

(12) **United States Design Patent**
Murchison et al.

(10) **Patent No.:** **US D724,360 S**
(45) **Date of Patent:** **** Mar. 17, 2015**

- (54) **ARTICLE DISPLAY**
- (71) Applicant: **The Procter & Gamble Company**,
Cincinnati, OH (US)
- (72) Inventors: **Tracy Renae Murchison**, Springboro,
OH (US); **Aleksandra Agnieszka**
Idzikowska, Cincinnati, OH (US); **Peter**
Karl Patzak, Darmstadt (DE); **Marek**
Mikovec, Czech Republic (CZ)
- (73) Assignee: **The Procter & Gamble Company**,
Cincinnati, OH (US)
- (**) Term: **14 Years**
- (21) Appl. No.: **29/503,107**
- (22) Filed: **Sep. 23, 2014**
- (51) **LOC (10) Cl.** **06-06**
- (52) **U.S. Cl.**
USPC **D6/682.1**
- (58) **Field of Classification Search**
USPC D6/300–314, 466, 469, 495, 512,
D6/672–673, 678, 682–682.1; D10/15, 40;
D14/375; 40/700, 735, 765, 780, 760,
40/152, 152.1, 154–157; D11/131, 164
See application file for complete search history.

- D512,841 S * 12/2005 Dirks D6/300
- D530,525 S * 10/2006 Greene, II D6/309
- D533,358 S * 12/2006 Bhavnani D6/301
- D533,806 S * 12/2006 Kaneko et al. D11/131
- D544,727 S * 6/2007 Valdez et al. D6/466
- D546,075 S * 7/2007 Kreiss D6/309
- D584,898 S * 1/2009 Chang D6/309
- D588,823 S * 3/2009 Butcher D6/309
- D592,409 S * 5/2009 Wu D6/309
- D604,533 S * 11/2009 Muller D6/495
- D612,564 S * 3/2010 Comley D34/35
- D615,452 S * 5/2010 Banman D11/164
- D632,093 S * 2/2011 Butcher D6/309
- D637,414 S * 5/2011 Butcher D6/309
- D643,231 S * 8/2011 Huang D6/449
- D656,997 S * 4/2012 Levin et al. D21/404
- D667,004 S * 9/2012 Goodrich D14/253
- D679,102 S * 4/2013 Gilboe et al. D6/309
- D690,140 S * 9/2013 Baylar D6/675

* cited by examiner

Primary Examiner — Kelley Donnelly

(74) *Attorney, Agent, or Firm* — Linda M. Sivik

(57) **CLAIM**

The ornamental design for an article display, as shown and described.

DESCRIPTION

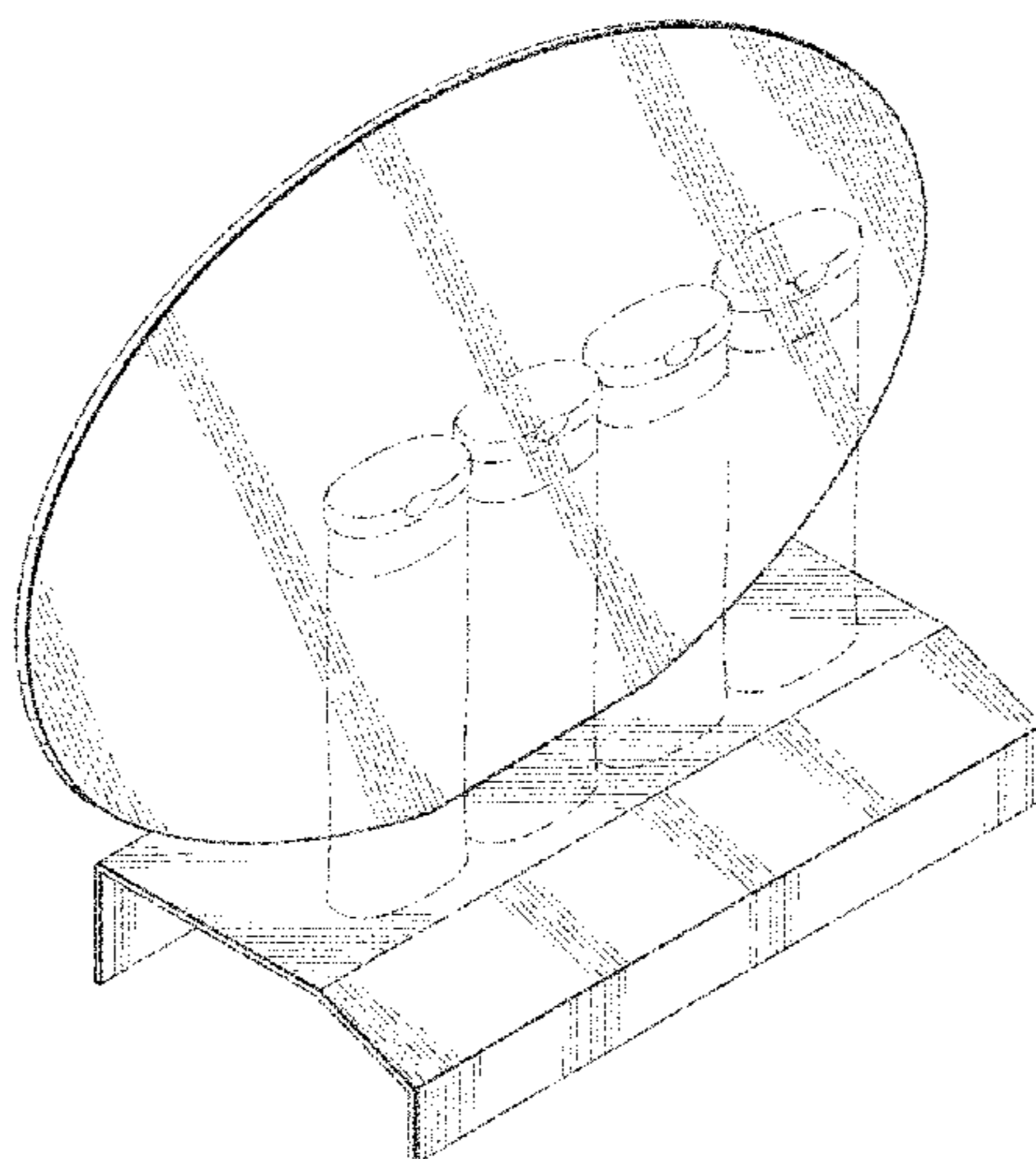
FIG. 1 is a perspective view of an article display, embodying an embodiment of our new design;
 FIG. 2 is a front elevational view of the article display of FIG. 1; and
 FIG. 3 is a side elevational view of the article display of FIG. 1;
 FIG. 4 is a back elevational view of the article display of FIG. 1;
 FIG. 5 is a top view of the article display of FIG. 1; and
 FIG. 6 is a bottom plan view of the article display of FIG. 1.
 The broken lines shown in the drawings are for illustrative purposes only and form no part of the claimed design.

1 Claim, 3 Drawing Sheets

(56) **References Cited**

U.S. PATENT DOCUMENTS

- D288,154 S * 2/1987 Hobgood D6/466
- D290,447 S * 6/1987 Evans D11/131
- 4,807,377 A * 2/1989 Stuckel 40/711
- D317,531 S * 6/1991 Evans D6/309
- D334,667 S * 4/1993 Lonczak et al. D6/308
- D370,581 S * 6/1996 Loznikov D6/495
- D392,110 S * 3/1998 Tsui D6/309
- D396,783 S * 8/1998 Lee D7/701
- D454,702 S * 3/2002 Doeing D6/310
- D465,660 S * 11/2002 Doeing D6/310
- D488,626 S * 4/2004 Kruger D6/309



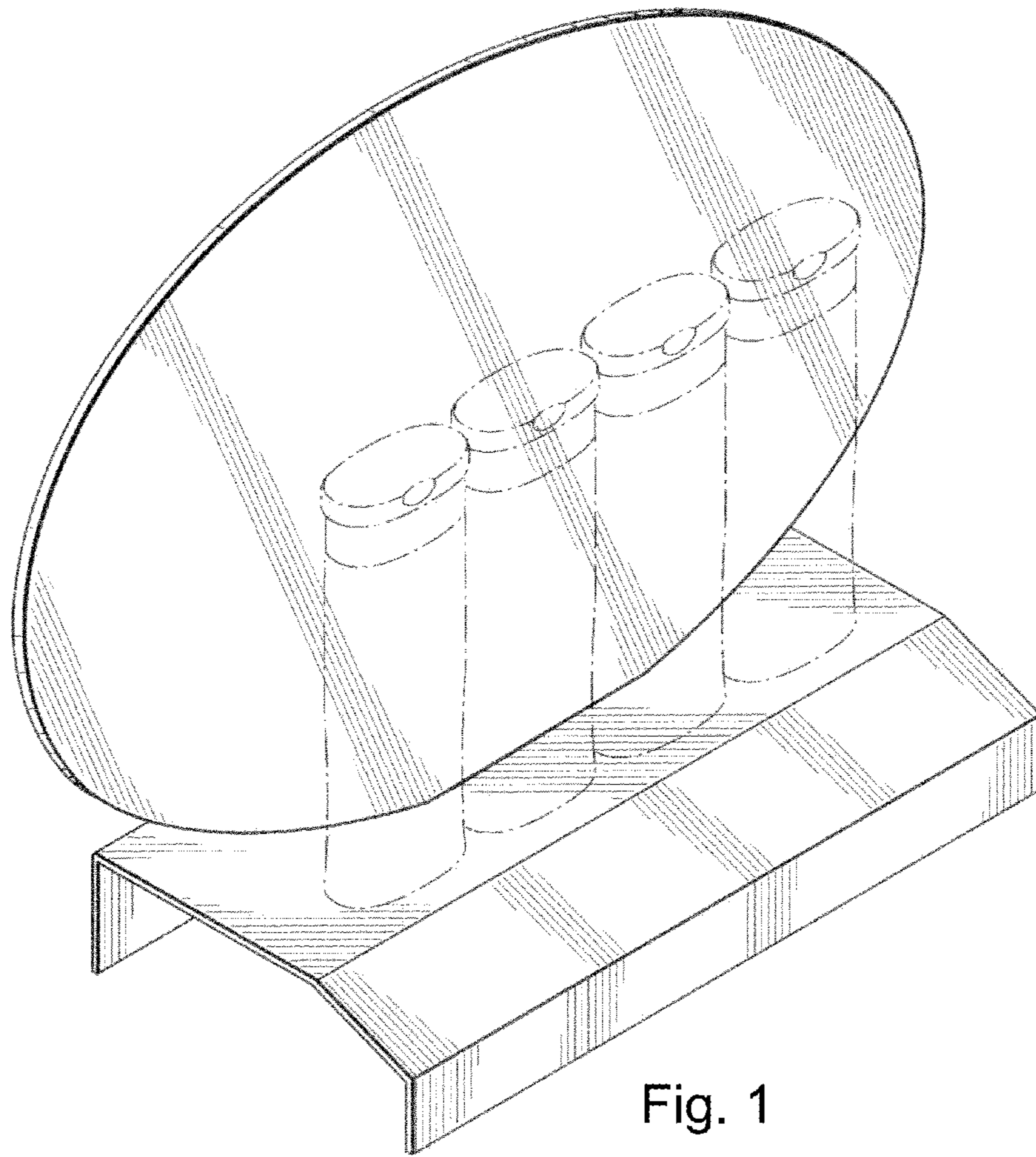


Fig. 1

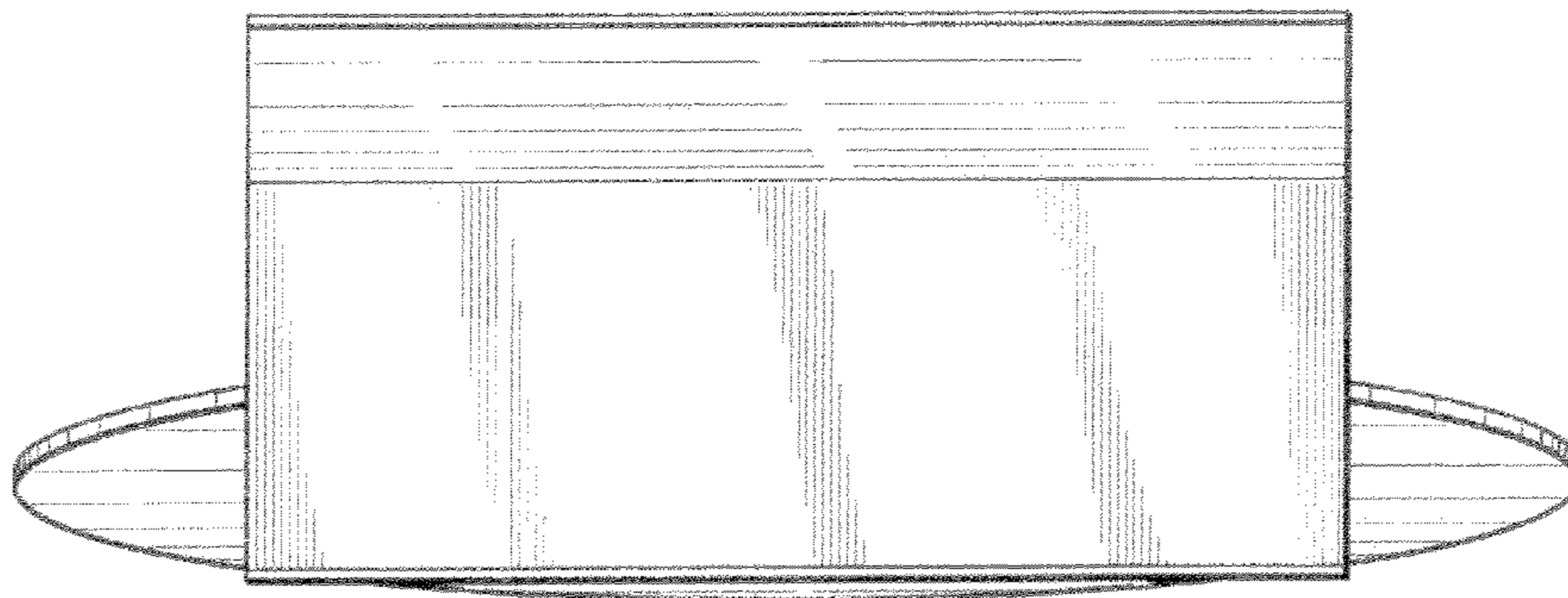


Fig. 6

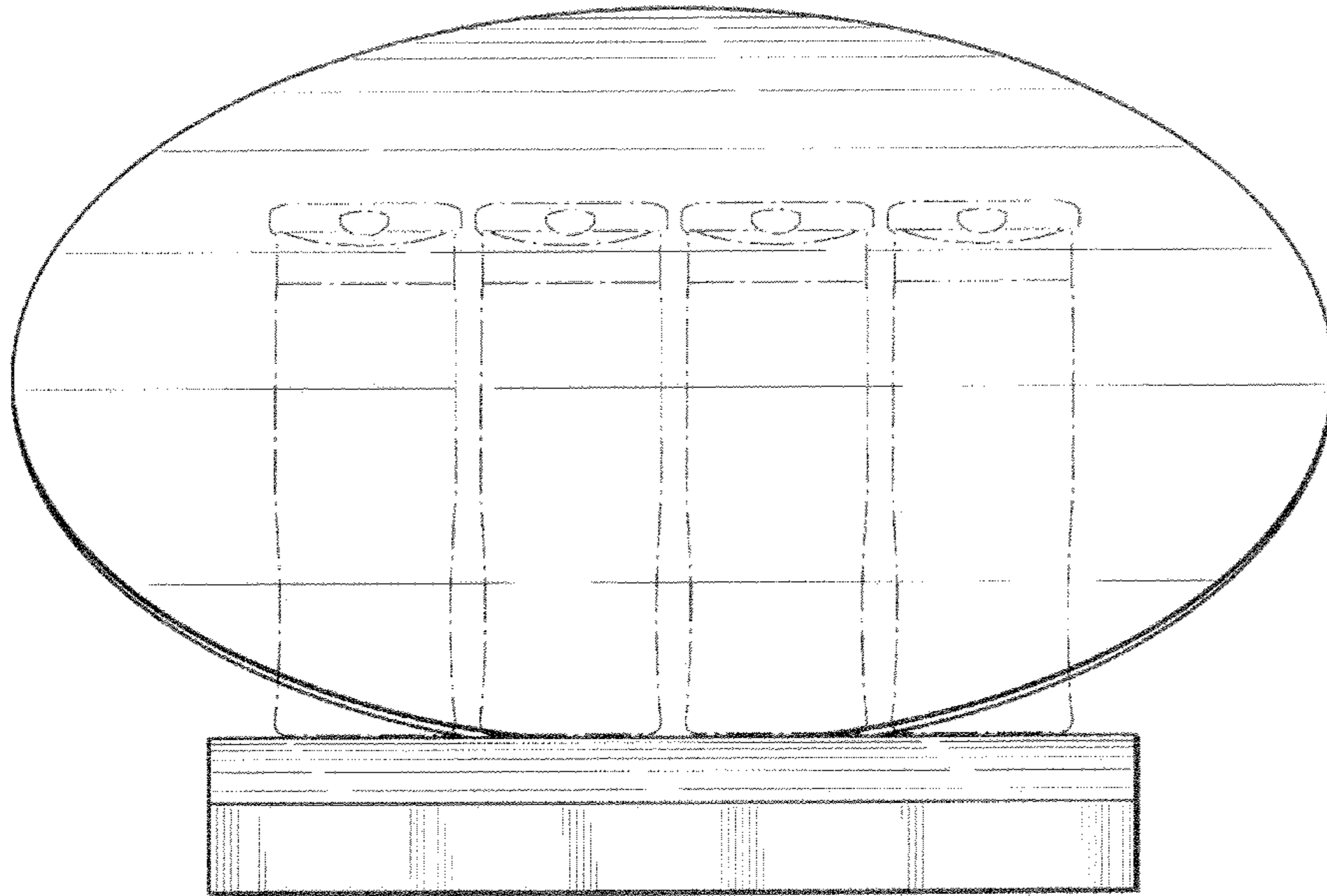


Fig. 2

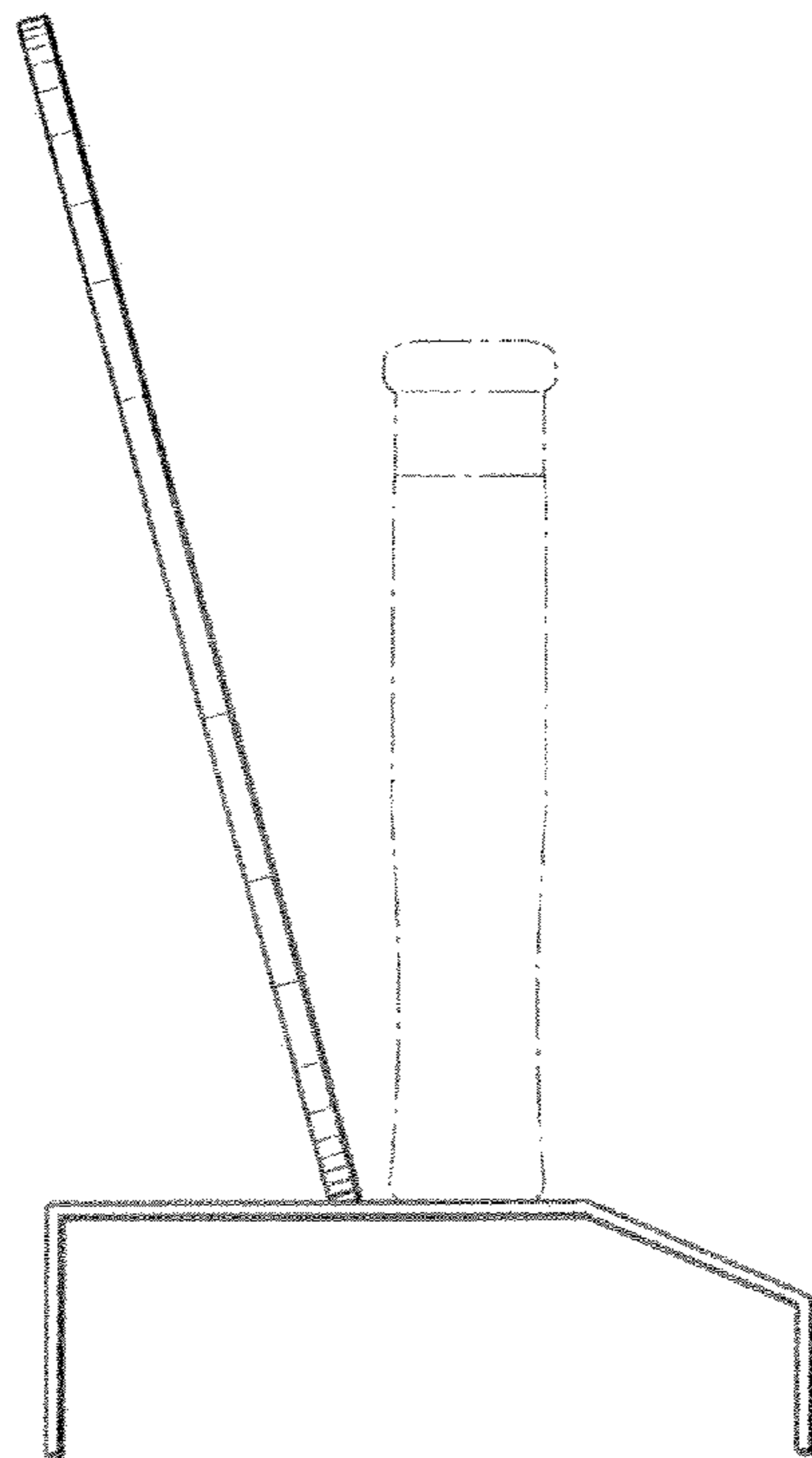


Fig. 3

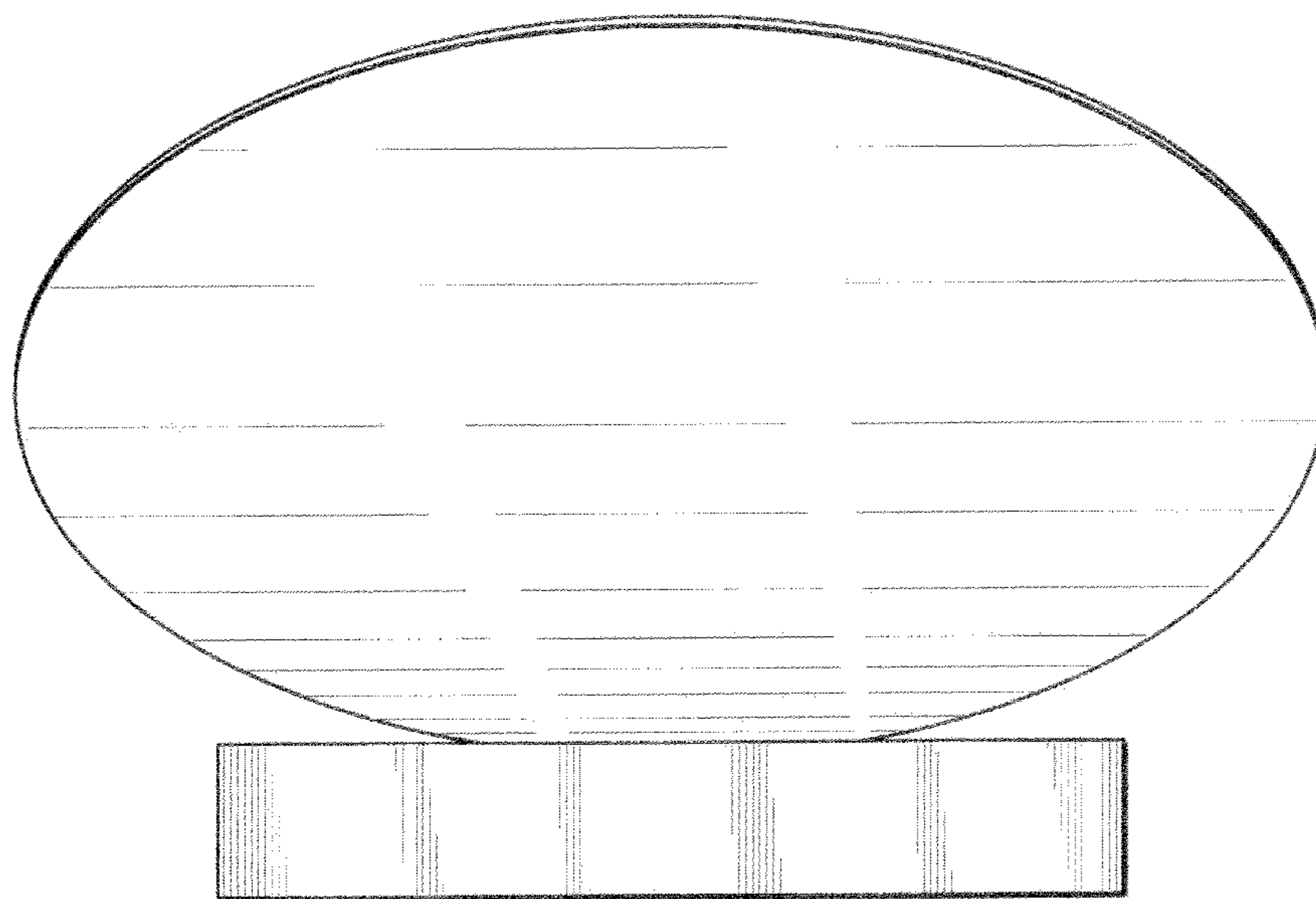


Fig. 4

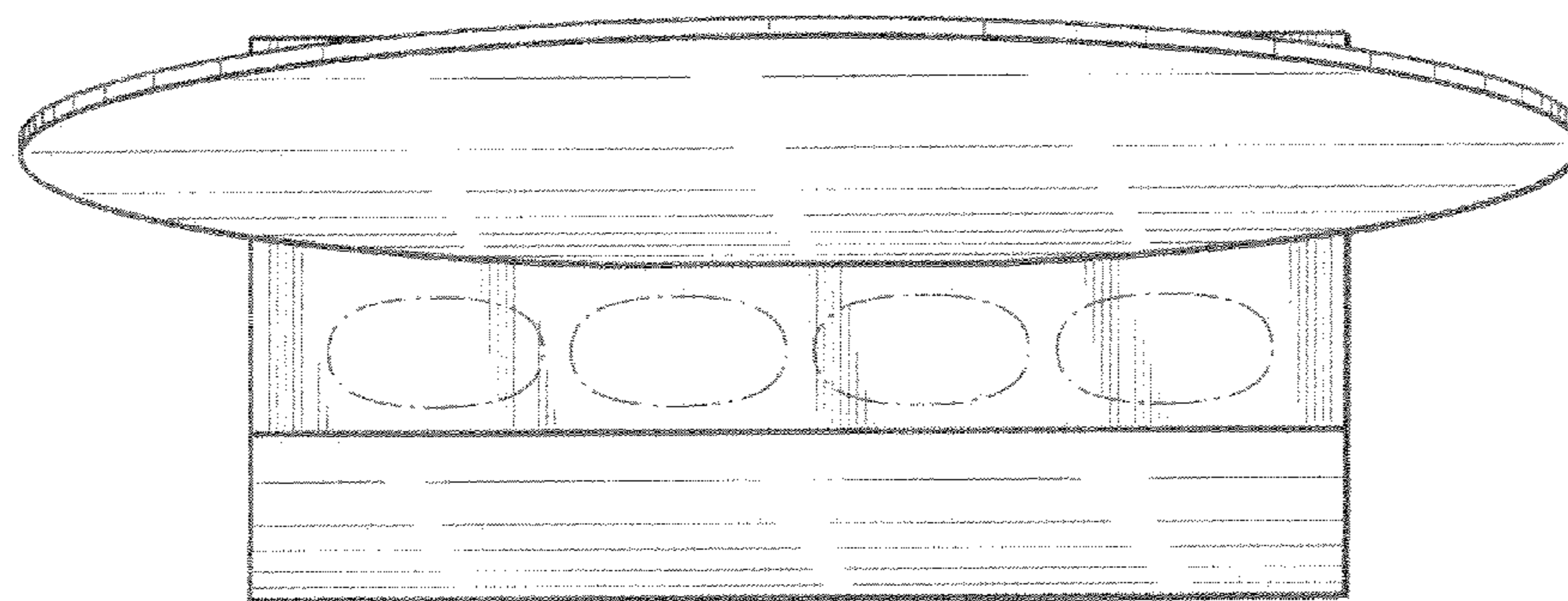


Fig. 5