



US00D724359S

(12) **United States Design Patent**  
**Murchison et al.**

(10) **Patent No.:** **US D724,359 S**  
(45) **Date of Patent:** **\*\* Mar. 17, 2015**

- (54) **ARTICLE DISPLAY**
- (71) Applicant: **The Procter & Gamble Company,**  
Cincinnati, OH (US)
- (72) Inventors: **Tracy Renae Murchison,** Springboro,  
OH (US); **Aleksandra Agnieszka**  
**Idzikowska,** Cincinnati, OH (US); **Peter**  
**Karl Patzak,** Darmstadt (DE); **Marek**  
**Mikovec,** Czech Republic (CZ)
- (73) Assignee: **The Procter & Gamble Company,**  
Cincinnati, OH (US)
- (\*\*) Term: **14 Years**
- (21) Appl. No.: **29/503,104**
- (22) Filed: **Sep. 23, 2014**
- (51) **LOC (10) Cl.** ..... **06-06**
- (52) **U.S. Cl.**  
USPC ..... **D6/682.1**
- (58) **Field of Classification Search**  
USPC ..... D6/300–314, 466, 469, 495, 512,  
D6/672–673, 678, 682–682.1; D10/15, 40;  
D14/375; 40/700, 735, 765, 780, 760,  
40/152, 152.1, 154–157; D11/131, 164  
See application file for complete search history.

(56) **References Cited**

**U.S. PATENT DOCUMENTS**

D288,154 S *	2/1987	Hobgood	.....	D6/466
D290,447 S *	6/1987	Evans	.....	D11/131
4,807,377 A *	2/1989	Stuckel	.....	40/711
D306,528 S *	3/1990	Worley	.....	D6/309
D317,531 S *	6/1991	Evans	.....	D6/309
D325,325 S *	4/1992	Cadman	.....	D7/611
D328,210 S *	7/1992	Callon	.....	D6/511
D334,667 S *	4/1993	Lonczak et al.	.....	D6/308
D370,581 S *	6/1996	Loznikov	.....	D6/495
D392,110 S *	3/1998	Tsui	.....	D6/309
D396,783 S *	8/1998	Lee	.....	D7/701
D454,702 S *	3/2002	Doeing	.....	D6/310

D465,660 S *	11/2002	Doeing	.....	D6/310
D488,626 S *	4/2004	Kruger	.....	D6/309
D512,841 S *	12/2005	Dirks	.....	D6/300
D530,525 S *	10/2006	Greene, II	.....	D6/309
D533,806 S *	12/2006	Kaneko et al.	.....	D11/131
D544,727 S *	6/2007	Valdez et al.	.....	D6/466
D546,075 S *	7/2007	Kreiss	.....	D6/309
D581,699 S *	12/2008	Harrison	.....	D6/449
D584,898 S *	1/2009	Chang	.....	D6/309
D588,823 S *	3/2009	Butcher	.....	D6/309
D592,409 S *	5/2009	Wu	.....	D6/309
D612,564 S *	3/2010	Comley	.....	D34/35
D632,093 S *	2/2011	Butcher	.....	D6/309
D637,414 S *	5/2011	Butcher	.....	D6/309
D643,231 S *	8/2011	Huang	.....	D6/449
D656,997 S *	4/2012	Levin et al.	.....	D21/404
D667,004 S *	9/2012	Goodrich	.....	D14/253
D677,261 S *	3/2013	Hsu et al.	.....	D14/447
D690,140 S *	9/2013	Baylar	.....	D6/675
D702,462 S *	4/2014	Roithner	.....	D6/677

\* cited by examiner

*Primary Examiner* — Kelley Donnelly

(74) *Attorney, Agent, or Firm* — Linda M. Sivik

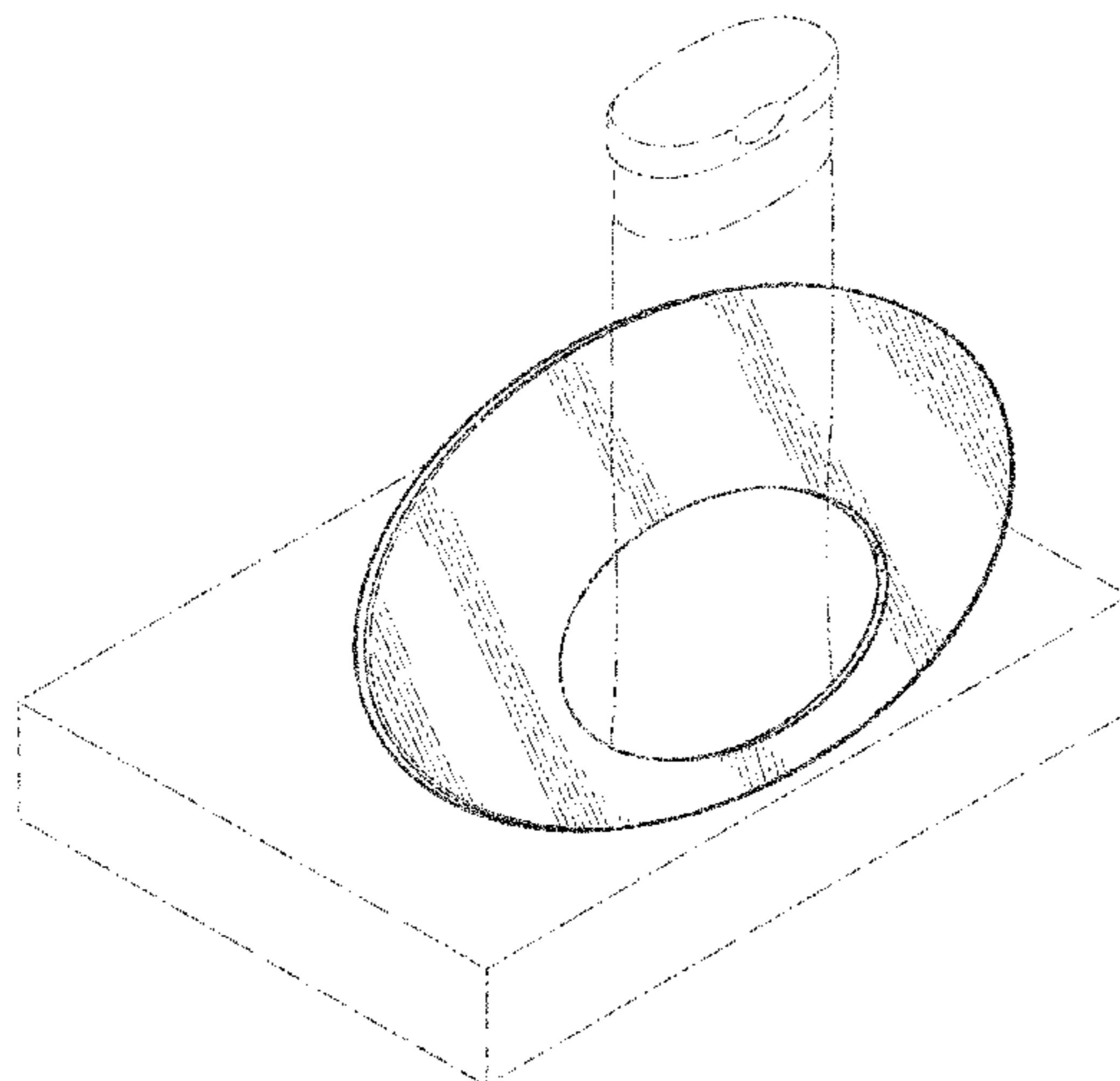
(57) **CLAIM**

The ornamental design for an article display, as shown and described.

**DESCRIPTION**

FIG. 1 is a perspective view of an article display, embodying an embodiment of our new design;  
 FIG. 2 is a front elevational view of the article display of FIG. 1;  
 FIG. 3 is a side elevational view of the article display of FIG. 1;  
 FIG. 4 is a back elevational view of the article display of FIG. 1;  
 FIG. 5 is a top view of the article display of FIG. 1; and,  
 FIG. 6 is a bottom plan view of the article display of FIG. 1.  
 The broken lines shown in the drawings are for illustrative purposes only and form no part of the claimed design.

**1 Claim, 3 Drawing Sheets**



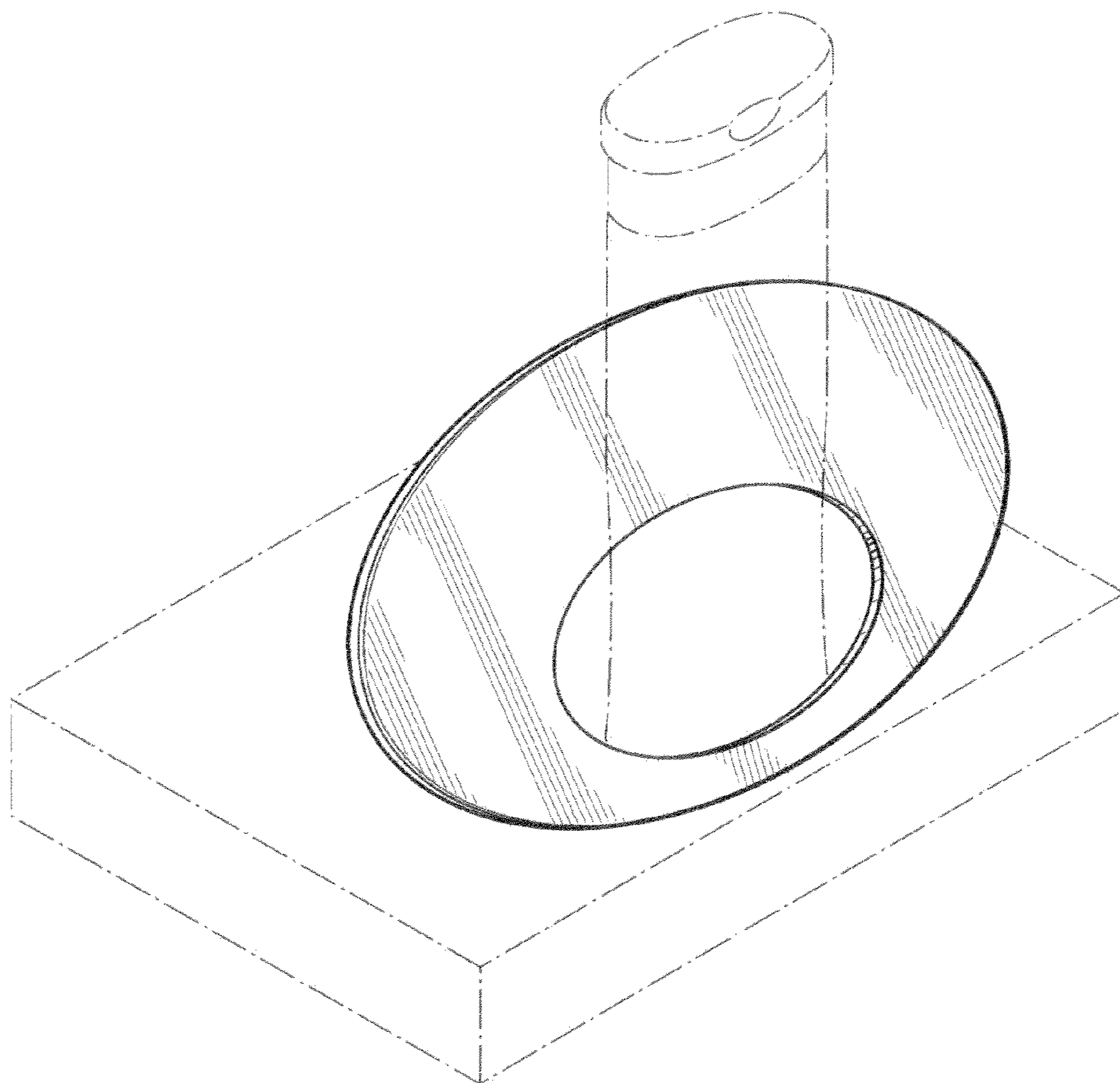


Fig. 1

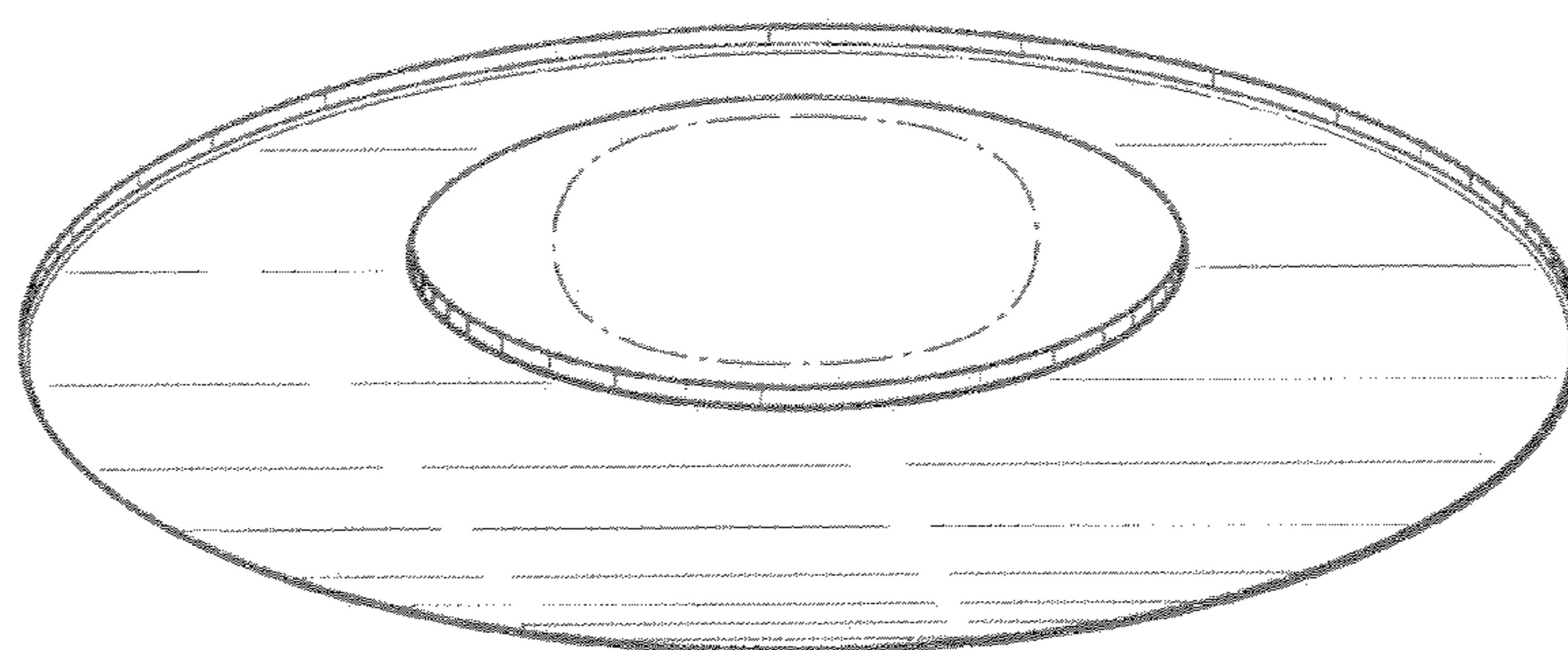


Fig. 6

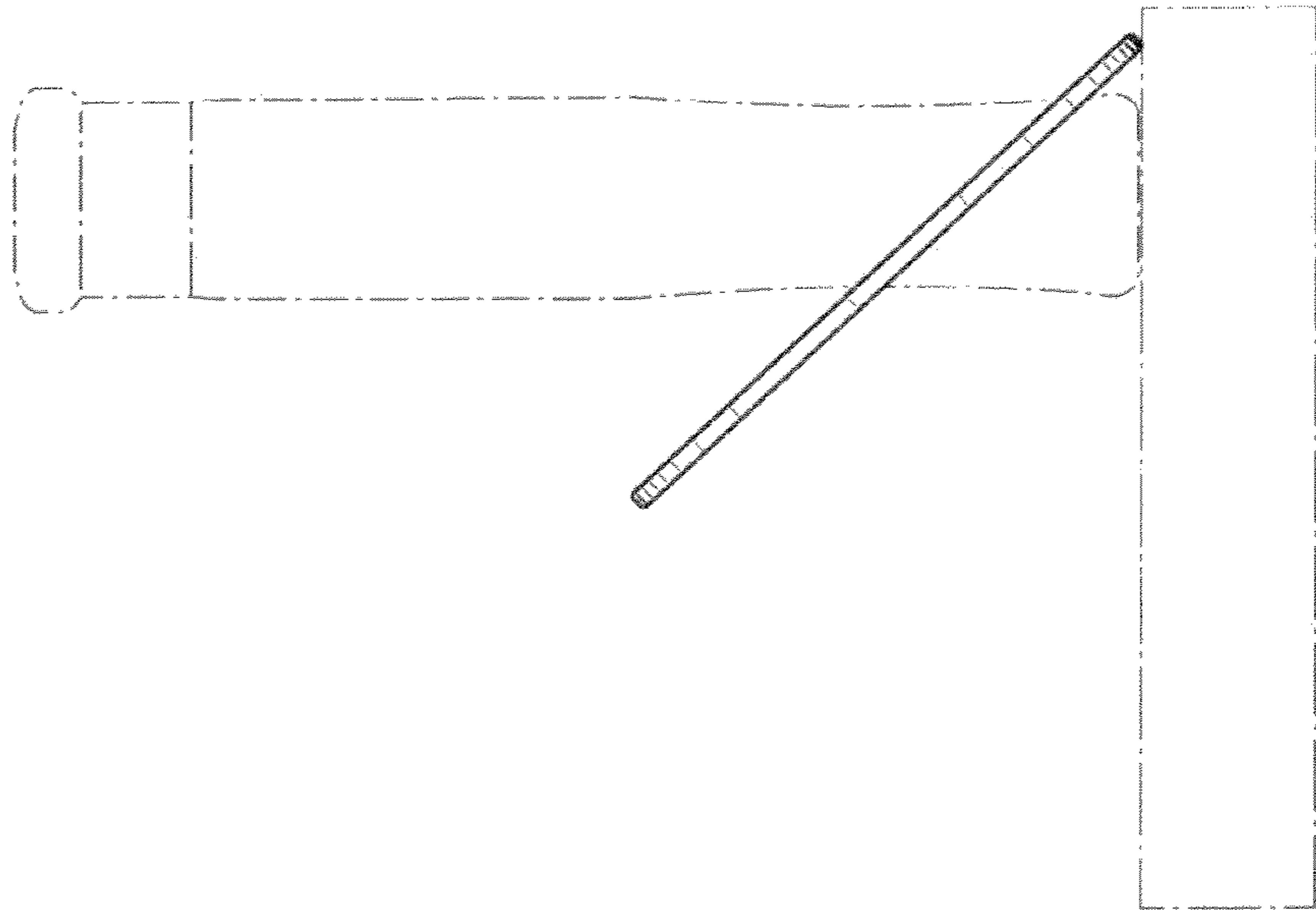


Fig. 3

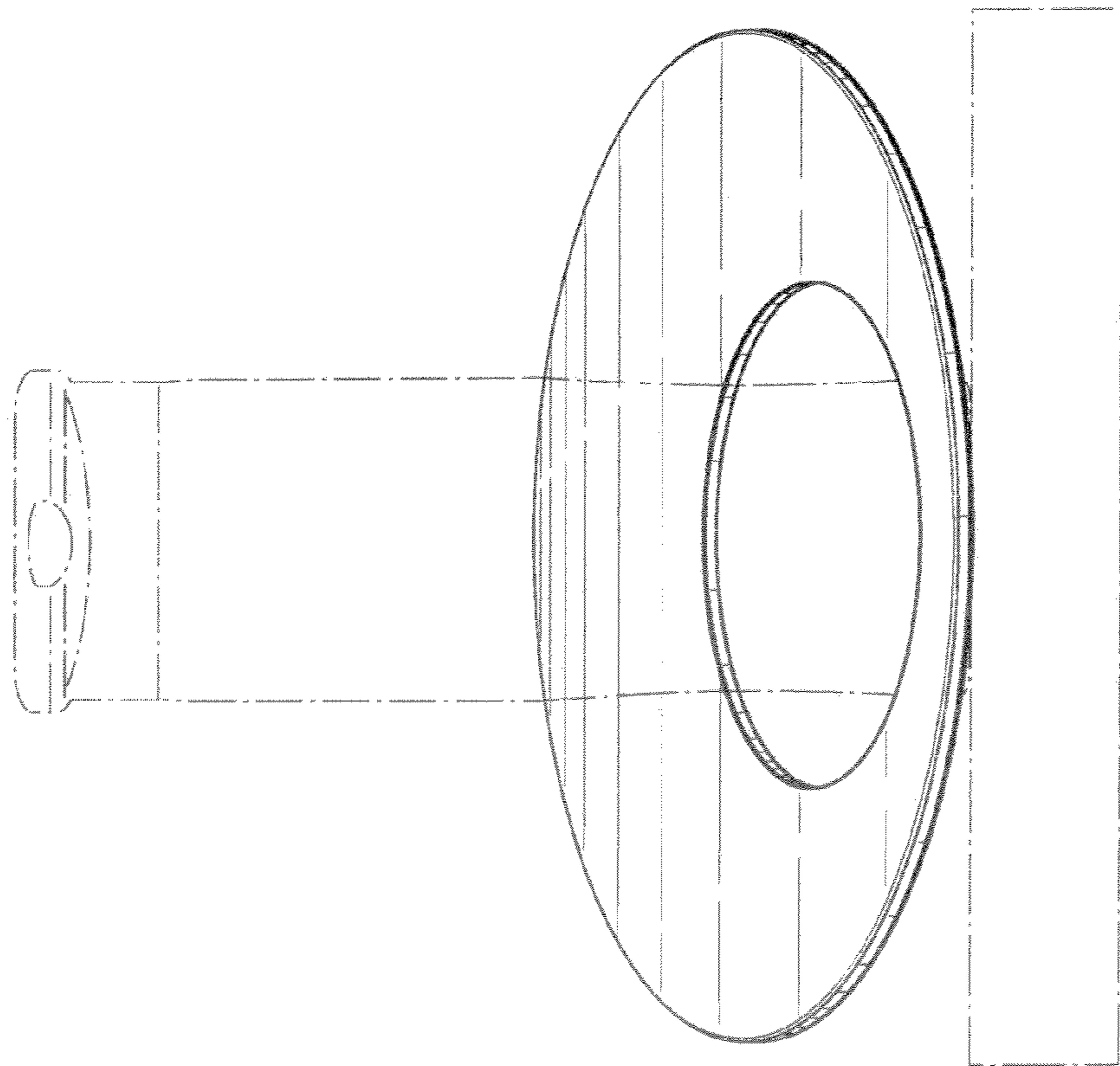


Fig. 2

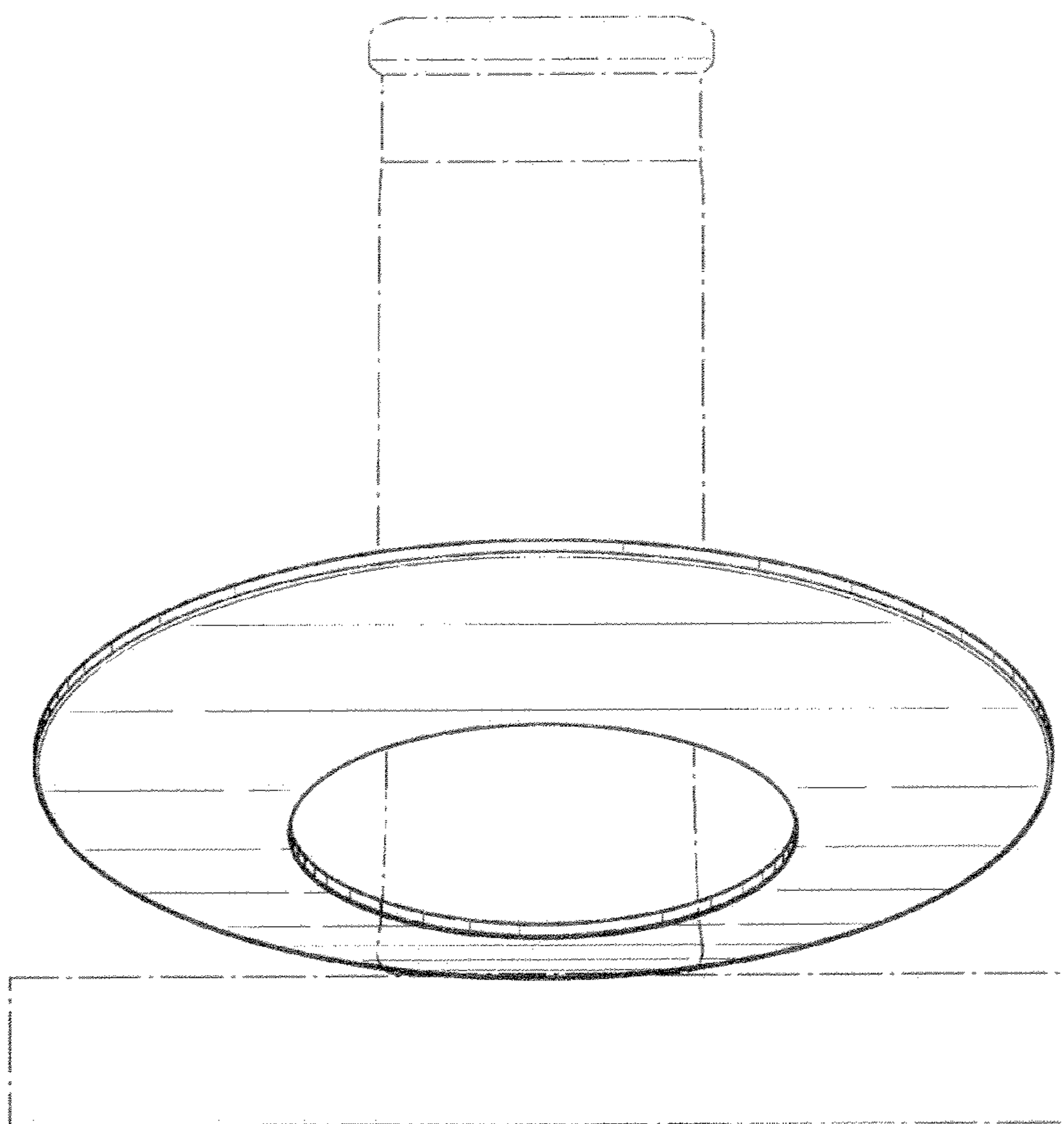


Fig. 4

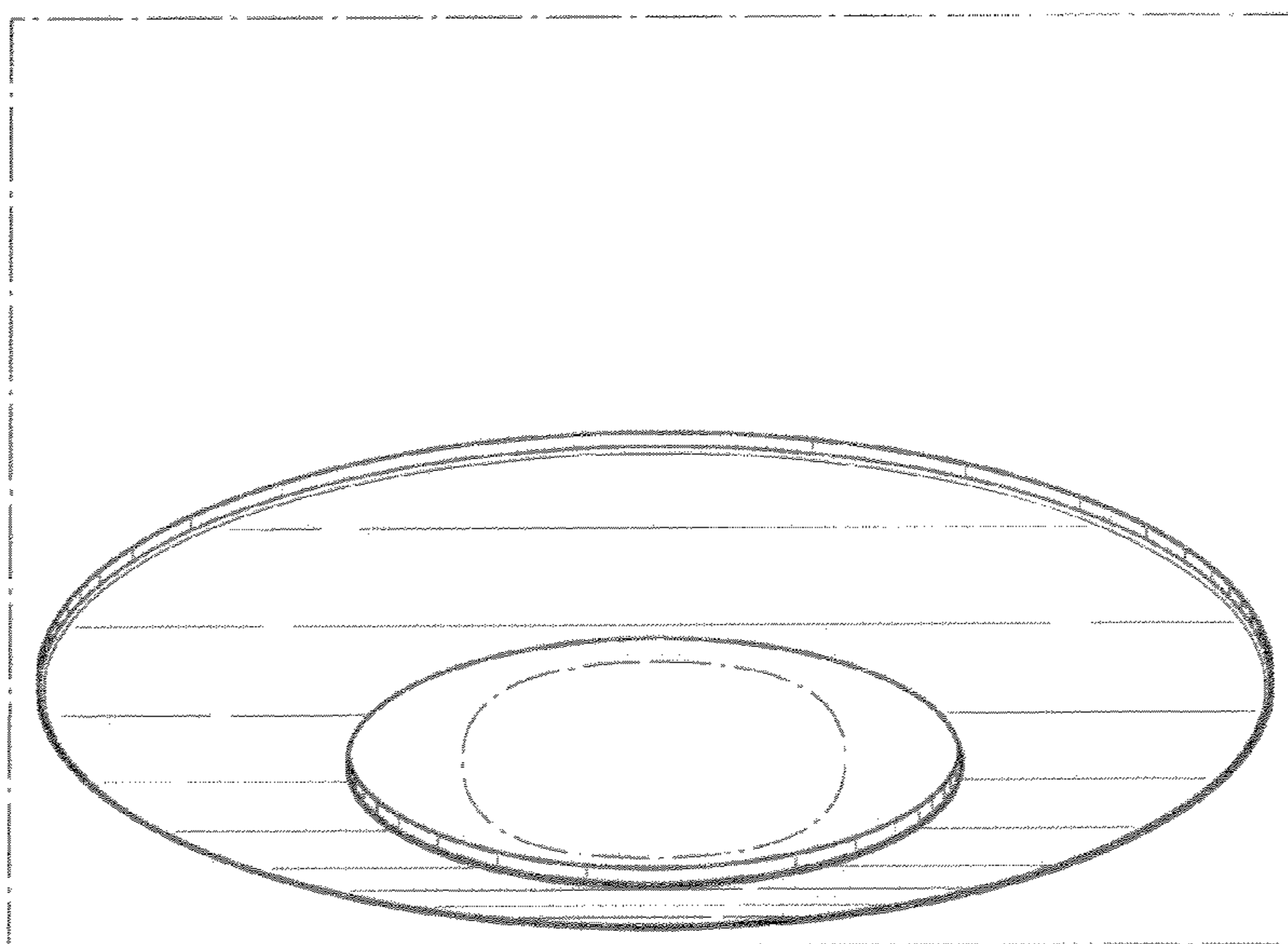


Fig. 5