



US00D724357S

(12) **United States Design Patent**
Lim

(10) **Patent No.:** **US D724,357 S**
(45) **Date of Patent:** **** Mar. 17, 2015**

- (54) **STORAGE RACK**
- (71) Applicant: **Gary M. Lim**, Palos Verdes Peninsula, CA (US)
- (72) Inventor: **Gary M. Lim**, Palos Verdes Peninsula, CA (US)
- (73) Assignee: **Seville Classics, Inc**, Torrance, CA (US)
- (**) Term: **14 Years**
- (21) Appl. No.: **29/461,511**
- (22) Filed: **Jul. 24, 2013**

Related U.S. Application Data

- (63) Continuation of application No. 12/800,986, filed on May 26, 2010, now Pat. No. 8,522,987.
- (51) **LOC (10) Cl.** **06-06**
- (52) **U.S. Cl.**
USPC **D6/675.1**
- (58) **Field of Classification Search**
USPC D6/396-397, 422-428, 429-430, D6/449-451, 477-479, 552, 572-574, 675, D6/675.1; 108/59, 92-93, 107-108; 312/194-196, 223.3
See application file for complete search history.

References Cited

U.S. PATENT DOCUMENTS

222,542 A	12/1879	Stearns
253,461 A	2/1882	Wold
638,417 A	12/1899	Miller
921,694 A	5/1909	Hall
1,573,844 A	2/1926	Marvin
1,578,248 A	3/1926	Ackerman
2,305,629 A	12/1942	Magnuson
2,516,088 A	7/1950	Einhorn
2,680,522 A	6/1954	Temple
2,710,733 A	6/1955	Phillips

2,714,540 A	8/1955	Diehm	
2,913,128 A	11/1959	Milner	
2,958,424 A	11/1960	Bigatti	
3,042,221 A	7/1962	Rasmussen	
3,083,836 A	4/1963	Bussemer	
3,113,400 A	12/1963	Emond	
3,146,734 A	9/1964	Kesilman et al.	
3,252,434 A	5/1966	Young, Jr.	
3,266,635 A	8/1966	McConnell	
3,285,428 A	11/1966	Scheck	
3,349,924 A	10/1967	Maurer	
3,463,325 A	8/1969	Rogers et al.	
D215,773 S	10/1969	Maslow	
3,559,339 A	2/1971	Worley	
3,722,431 A	3/1973	Howard	
3,840,243 A	10/1974	Rheinhardt et al.	
3,977,689 A	8/1976	Rosa	
4,078,664 A	3/1978	McConnell	
D247,838 S	5/1978	Jones et al.	
4,257,333 A	3/1981	Pollack	
4,285,163 A	8/1981	Booker, Jr.	
4,295,754 A	10/1981	Ashton et al.	
4,297,795 A	11/1981	Licari	
4,343,245 A	8/1982	Edwards	
D267,211 S	12/1982	Farrell	
D273,643 S	5/1984	Sanker et al.	
D278,196 S *	4/1985	Koves	D6/465
D280,164 S	8/1985	Berry, Jr.	

(Continued)

Primary Examiner — Kelley Donnelly
(74) *Attorney, Agent, or Firm* — Raymond Sun

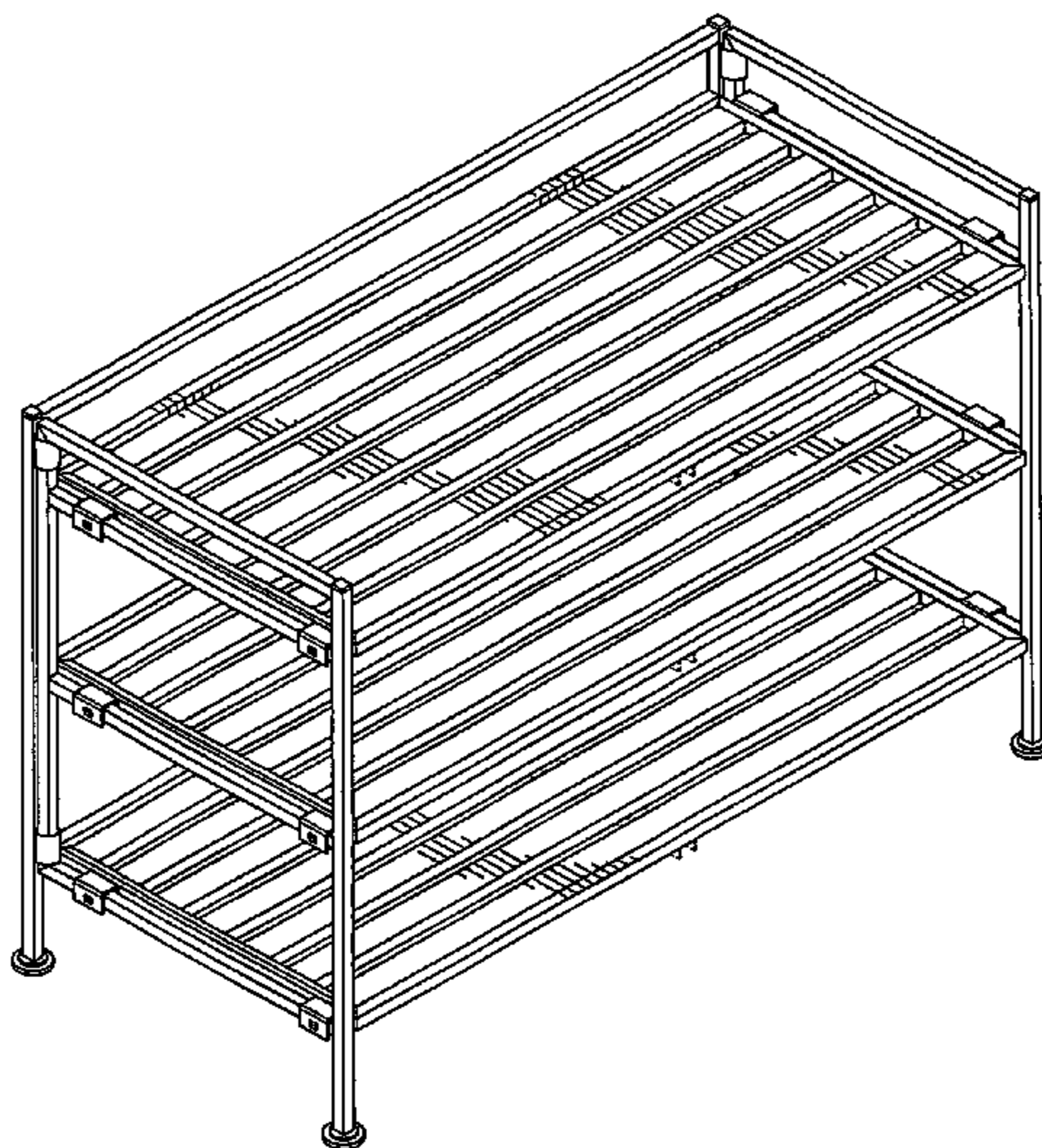
(57) **CLAIM**

The ornamental design for a storage rack, as shown and described.

DESCRIPTION

FIG. 1 is a perspective view a storage rack showing my new design according to a first embodiment thereof.
FIG. 2 is a perspective view a storage rack showing my new design according to a second embodiment thereof; and,
FIG. 3 is a perspective view a storage rack showing my new design according to a third embodiment thereof.

1 Claim, 3 Drawing Sheets



(56)

References Cited

U.S. PATENT DOCUMENTS

D285,036 S	8/1986	Gilchrist et al.		D444,975 S	7/2001	West	
4,635,563 A	1/1987	Nicely		6,260,488 B1 *	7/2001	Yang et al.	108/107
4,637,323 A	1/1987	Nicely		D446,409 S	8/2001	Walters-Dowding et al.	
D291,165 S	8/1987	Ray		6,283,314 B1	9/2001	Loguercio	
D292,658 S *	11/1987	Kester	D6/465	6,302,284 B1	10/2001	Zonshin	
D292,764 S	11/1987	Kester		6,305,764 B1	10/2001	Kortman et al.	
4,725,066 A	2/1988	Nootenboom et al.		D450,481 S	11/2001	Post	
4,774,792 A	10/1988	Balance		D452,394 S	12/2001	Walters-Dowding et al.	
4,828,123 A	5/1989	Basore		6,394,292 B1	5/2002	Sabounjian	
D301,413 S *	6/1989	Rosen	D6/397	D459,932 S	7/2002	Ellwanger	
4,852,501 A	8/1989	Olson et al.		6,422,406 B1 *	7/2002	Kessel et al.	211/181.1
4,895,382 A	1/1990	Anderson		6,427,858 B2	8/2002	Sabounjian	
D308,776 S	6/1990	Yau Kee		6,443,410 B1	9/2002	Lee	
4,955,490 A	9/1990	Schafer		D470,451 S	2/2003	Bushart et al.	
4,964,350 A	10/1990	Kolvites et al.		D471,033 S *	3/2003	Yamaguchi	D6/465
4,978,013 A	12/1990	Hogg		D471,381 S	3/2003	Yamaguchi	
D314,101 S	1/1991	Yau Kee		D473,359 S	4/2003	Joseph	
D314,103 S	1/1991	Yau Kee		D474,870 S	5/2003	Post et al.	
D314,679 S *	2/1991	Kee	D6/465	6,561,107 B1 *	5/2003	Wood et al.	108/132
D314,682 S	2/1991	Kellems et al.		D477,160 S	7/2003	Grosfillex	
D316,345 S	4/1991	Mo Yau Kee		D485,092 S *	1/2004	Rosen	D6/465
D319,362 S	8/1991	Kellems et al.		D488,647 S	4/2004	Ford et al.	
D322,726 S *	12/1991	Rademacher et al.	D6/465	6,722,042 B1	4/2004	Naville et al.	
D323,256 S	1/1992	Kee		6,726,038 B2	4/2004	Ko	
D328,400 S	8/1992	Kee		D493,048 S	7/2004	Moon et al.	
D329,556 S	9/1992	Brussing		D496,545 S	9/2004	McDiamid	
D330,987 S	11/1992	Rosenthal		D501,338 S	2/2005	Deasy et al.	
5,169,009 A	12/1992	Bomze		D501,738 S *	2/2005	Clucas	D6/465
5,217,125 A	6/1993	Swanson		6,899,237 B2 *	5/2005	Trent	211/189
5,279,231 A	1/1994	Kolvites et al.		6,938,807 B2	9/2005	Victor	
D344,381 S	2/1994	Martin et al.		6,970,143 B2	11/2005	Allen et al.	
D348,760 S	7/1994	Linder		D528,342 S *	9/2006	Yu	D6/630
5,351,843 A	10/1994	Wichman et al.		D536,873 S	2/2007	Thorsteinsson et al.	
D352,409 S	11/1994	Hosoe		D538,058 S	3/2007	Van Es	
5,423,251 A	6/1995	Kolvites et al.		D538,106 S	3/2007	Julian	
5,452,811 A	9/1995	Taravella et al.		D540,072 S	4/2007	Steinman	
D364,055 S *	11/1995	Pakla	D6/477	D540,568 S *	4/2007	Clucas	D6/465
D364,288 S	11/1995	Kramer et al.		D542,092 S	5/2007	Raichien et al.	
D371,879 S	7/1996	Linder		D543,056 S *	5/2007	Chou	D6/478
D373,039 S	8/1996	Cohen et al.		D544,250 S	6/2007	Daugherty et al.	
5,580,025 A	12/1996	Cross		D544,251 S	6/2007	Daugherty et al.	
D378,331 S *	3/1997	Allendorph	D6/552	D560,937 S	2/2008	Hwang	
5,628,415 A	5/1997	Mulholland		D562,594 S	2/2008	Thompson	
5,647,487 A	7/1997	Reinhard		D569,180 S	5/2008	Rathburn	
5,676,263 A	10/1997	Chang		D569,856 S	5/2008	Rathburn	
D392,817 S	3/1998	Lee		D572,940 S	7/2008	Murray	
5,738,230 A	4/1998	Goldstein		D579,691 S	11/2008	Snider	
D393,970 S	5/1998	Lee		D580,193 S	11/2008	Sparkowski	
5,779,070 A	7/1998	Dickenson et al.		D585,670 S	2/2009	Gharabegian	
D400,739 S	11/1998	Sheng		D586,153 S	2/2009	Maly	
D403,536 S	1/1999	Olson et al.		D586,583 S	2/2009	Schluter et al.	
5,855,175 A	1/1999	Forbes		D588,840 S	3/2009	Dretzka	
5,865,320 A	2/1999	Hamada		D590,634 S	4/2009	Nigro	
D407,251 S	3/1999	Hampshire		7,516,856 B2	4/2009	Lee et al.	
5,913,270 A *	6/1999	Price	108/101	D594,252 S	6/2009	Gehring	
5,924,577 A	7/1999	Gessert		D597,342 S *	8/2009	Dickson	D6/465
5,924,581 A	7/1999	Chen		D597,343 S	8/2009	Thakur	
5,988,405 A	11/1999	Weisenburger		D602,712 S *	10/2009	Ho	D6/465
5,996,812 A	12/1999	Sokol, Jr.		D603,188 S	11/2009	Wang	
6,017,107 A	1/2000	Elliott et al.		7,617,941 B2	11/2009	Colin et al.	
D424,836 S *	5/2000	Kopala, Jr.	D6/465	D607,667 S	1/2010	Cayouette	
6,079,575 A	6/2000	Wang		D615,777 S	5/2010	Lee et al.	
D429,092 S	8/2000	Walter		7,789,251 B1	9/2010	Clark	
D429,095 S	8/2000	Grosfillex		D624,753 S	10/2010	Post et al.	
6,105,798 A	8/2000	Gruber et al.		D626,356 S *	11/2010	Ho	D6/465
6,123,035 A	9/2000	Pfister		D628,856 S	12/2010	Wang et al.	
D432,820 S *	10/2000	Walters-Dowding et al.	D6/465	D630,813 S	1/2011	Molayem	
6,135,299 A	10/2000	Burgess		7,891,507 B2	2/2011	Shelter	
D433,709 S	11/2000	Hardy		D637,427 S *	5/2011	Troyner et al.	D6/511
6,155,435 A	12/2000	Malik		D638,640 S	5/2011	Molayem	
6,173,846 B1	1/2001	Anderson		D643,686 S	8/2011	Tiemann	
D438,724 S	3/2001	Trulaske, Sr.		D644,069 S	8/2011	Tiemann	
D439,769 S	4/2001	Prince et al.		D648,969 S	11/2011	Cittadino et al.	
D440,793 S	4/2001	Iannaccone		D653,063 S	1/2012	Post et al.	
D444,017 S	6/2001	Walker		8,096,430 B2	1/2012	Lim	
				D657,979 S *	4/2012	Sokol et al.	D6/479
				D660,652 S	5/2012	Tiemann	
				D664,378 S	7/2012	Vu	
				D668,103 S	10/2012	Cloutier et al.	

(56)

References Cited

U.S. PATENT DOCUMENTS

D670,943 S	11/2012	Hertaus	D699,073 S	2/2014	Cheung
D675,849 S	2/2013	Tawil	D699,485 S	2/2014	Hsu et al.
D676,262 S	2/2013	Lim	D699,986 S	2/2014	Tsai
D676,686 S	2/2013	Lim	D701,714 S	4/2014	Gelman
D676,687 S	2/2013	Lim	D703,467 S	4/2014	Ho et al.
D676,688 S	2/2013	Lim	D703,468 S	4/2014	Ho et al.
D677,056 S	3/2013	Hu	D704,482 S	5/2014	Hsu et al.
D677,943 S	3/2013	Mendoza	2002/0027114 A1	3/2002	Krusell
D680,361 S	4/2013	Zobel et al.	2003/0131767 A1	7/2003	Chen
D683,160 S *	5/2013	Williams et al. D6/675.1	2004/0065633 A1	4/2004	Chen
D683,567 S	6/2013	Hsu et al.	2005/0206579 A1	9/2005	Allen et al.
D683,983 S *	6/2013	Troyner et al. D6/675.2	2006/0254992 A1	11/2006	Lim
8,464,880 B2	6/2013	Lim	2007/0175847 A1	8/2007	Prest
D686,029 S	7/2013	Parker et al.	2008/0203042 A1	8/2008	Felsenthal
D687,253 S	8/2013	McIntyre	2008/0283480 A1	11/2008	Segall et al.
8,522,987 B2	9/2013	Lim	2008/0308516 A1	12/2008	Li
D690,967 S	10/2013	Goodman et al.	2009/0152225 A1	6/2009	Lee
D696,049 S	12/2013	Hsu et al.	2009/0184068 A1	7/2009	Kin
			2010/0181274 A1	7/2010	Vargo et al.
			2011/0233164 A1	9/2011	Chang
			2011/0240571 A1	10/2011	Ho

* cited by examiner

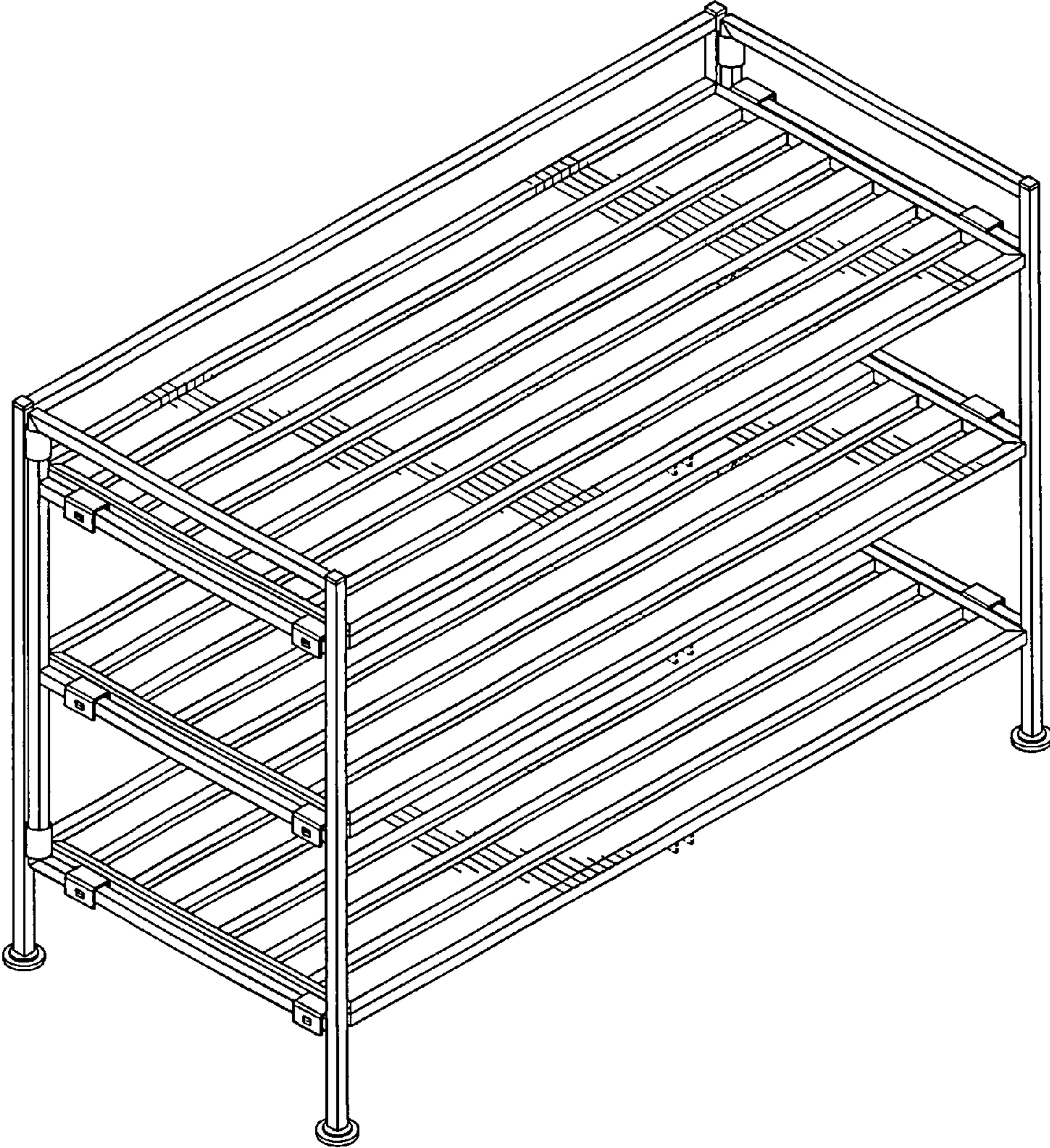


FIG. 1

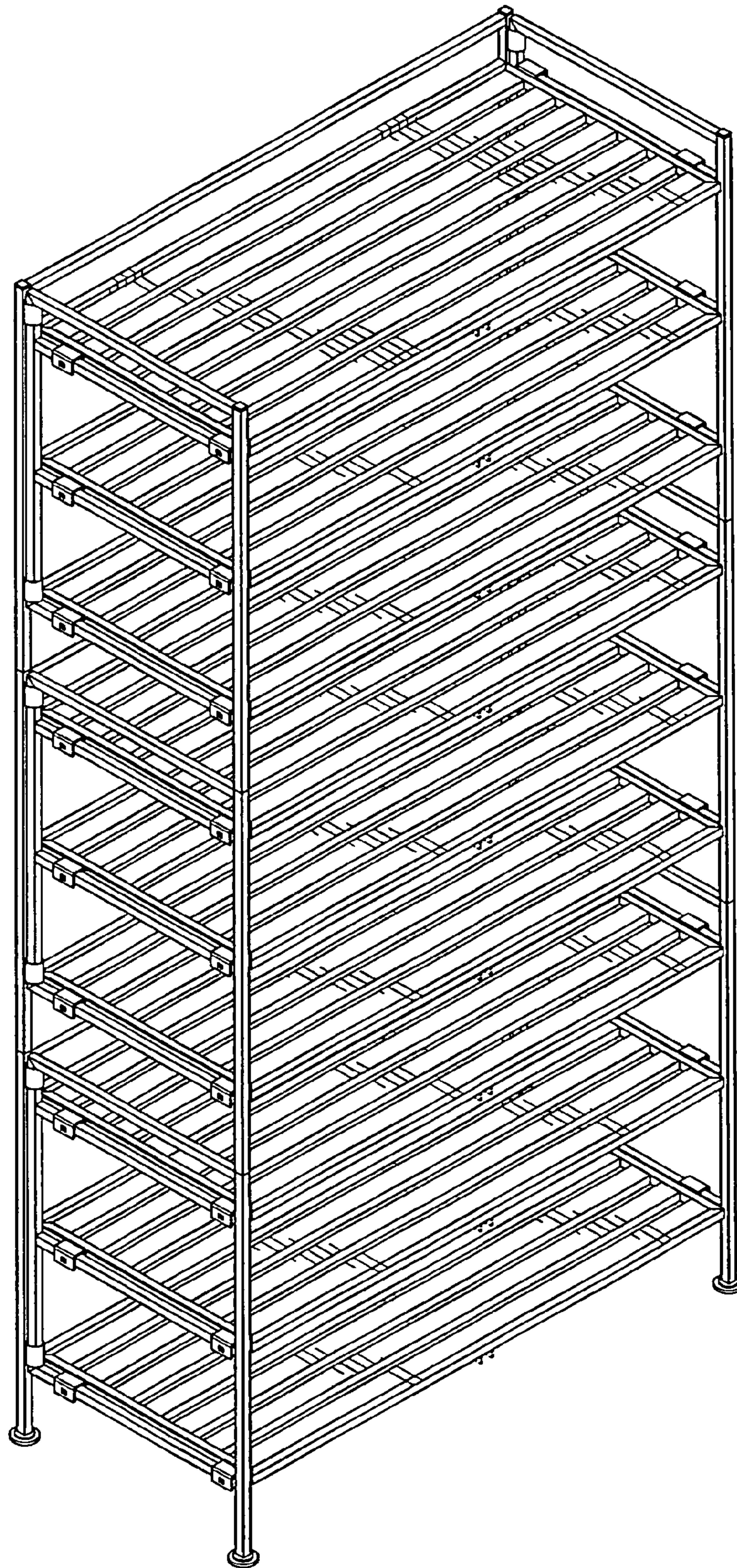


FIG.2

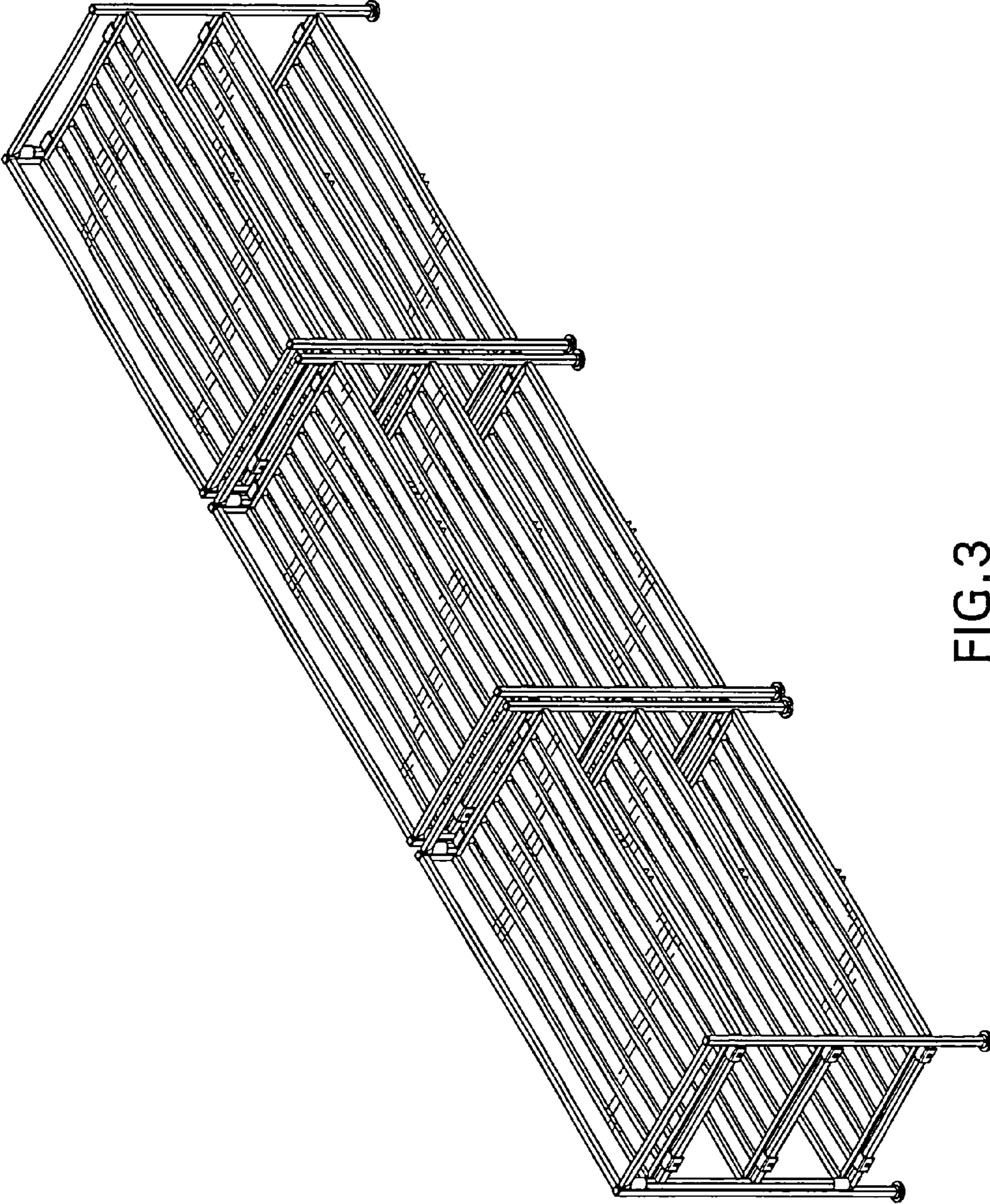


FIG.3