



US00D724356S

(12) **United States Design Patent**
Weatherly

(10) **Patent No.:** **US D724,356 S**

(45) **Date of Patent:** **** Mar. 17, 2015**

(54) **FURNITURE UNIT**

D690,142 S * 9/2013 Arko et al. D6/681
D693,612 S * 11/2013 Arko et al. D6/708

(71) Applicant: **Becker Designed, Inc.**, Chantilly, VA
(US)

* cited by examiner

(72) Inventor: **Matthew Weatherly**, Fairfax, VA (US)

Primary Examiner — Ricky Pham

(73) Assignee: **Becker Designed, Inc.**, Chantilly, VA
(US)

(74) *Attorney, Agent, or Firm* — Design IP

(**) Term: **14 Years**

(57) **CLAIM**

The ornamental design for a furniture unit, as shown and described.

(21) Appl. No.: **29/451,751**

DESCRIPTION

(22) Filed: **Apr. 8, 2013**

(51) **LOC (10) Cl.** **06-04**

(52) **U.S. Cl.**
USPC **D6/661**

(58) **Field of Classification Search**

USPC D6/648, 657–661, 662.1, 663–664,
D6/664.1, 668.2, 670–671, 671.1, 671.2,
D6/675.1–675.3, 681, 691.8, 702–703,
D6/703.2–703.4, 705.5, 705.7, 708;
D14/168; 312/138.1, 203–205, 217,
312/224, 257.1, 265.3, 265.6, 293.2, 384.4
See application file for complete search history.

FIG. 1 is a front perspective view of a first embodiment of a furniture unit showing my new design;
FIG. 2 is a front view thereof;
FIG. 3 is a left side view thereof;
FIG. 4 is a right side view thereof;
FIG. 5 is a top view thereof;
FIG. 6 is a front perspective view of a second embodiment of a furniture unit showing my new design;
FIG. 7 is a front view thereof;
FIG. 8 is a left side view thereof;
FIG. 9 is a right side view thereof;
FIG. 10 is a top view thereof;
FIG. 11 is a front perspective view of a third embodiment of a furniture unit showing my new design;
FIG. 12 is a front view thereof;
FIG. 13 is a left side view thereof;
FIG. 14 is a right side view thereof; and,
FIG. 15 is a top view thereof.

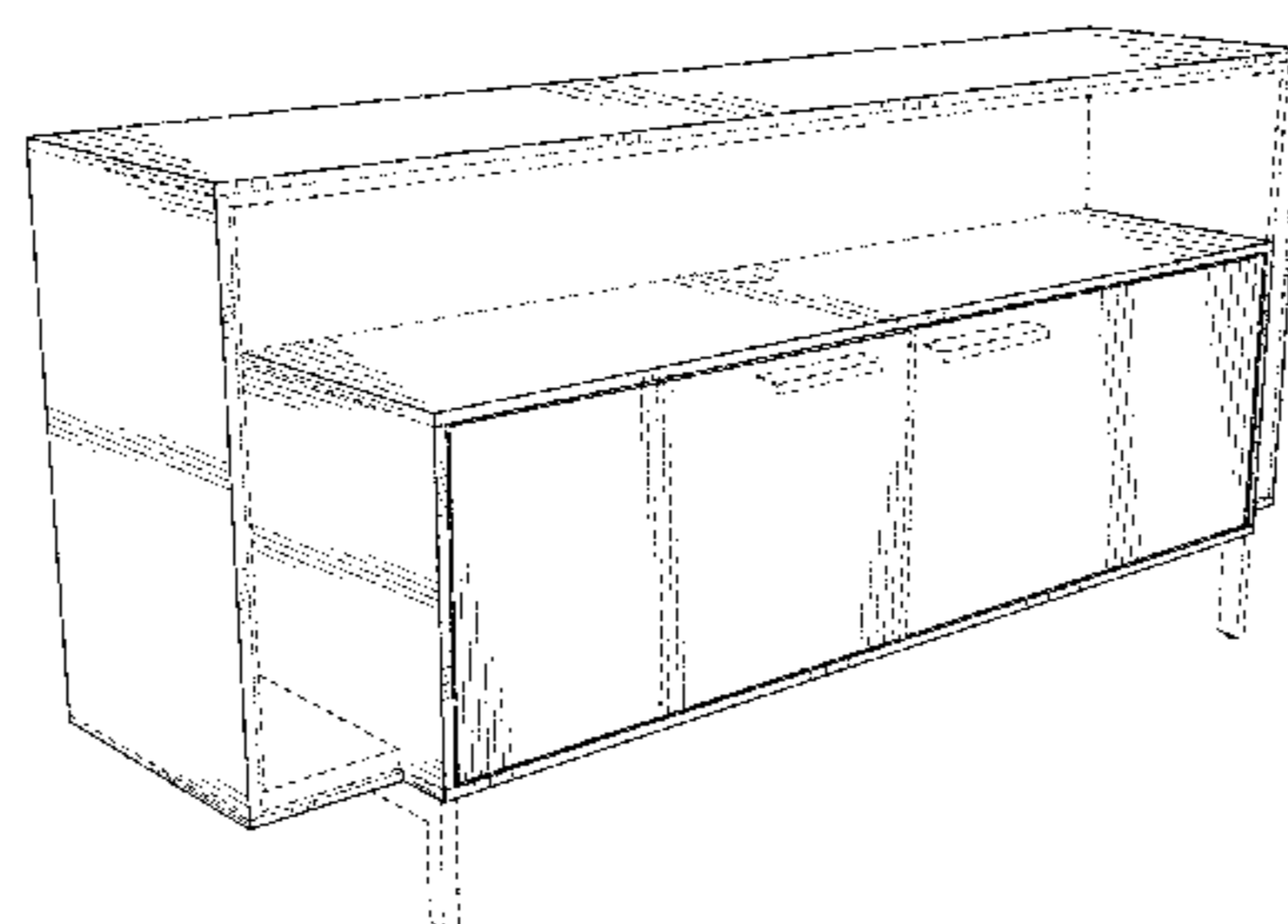
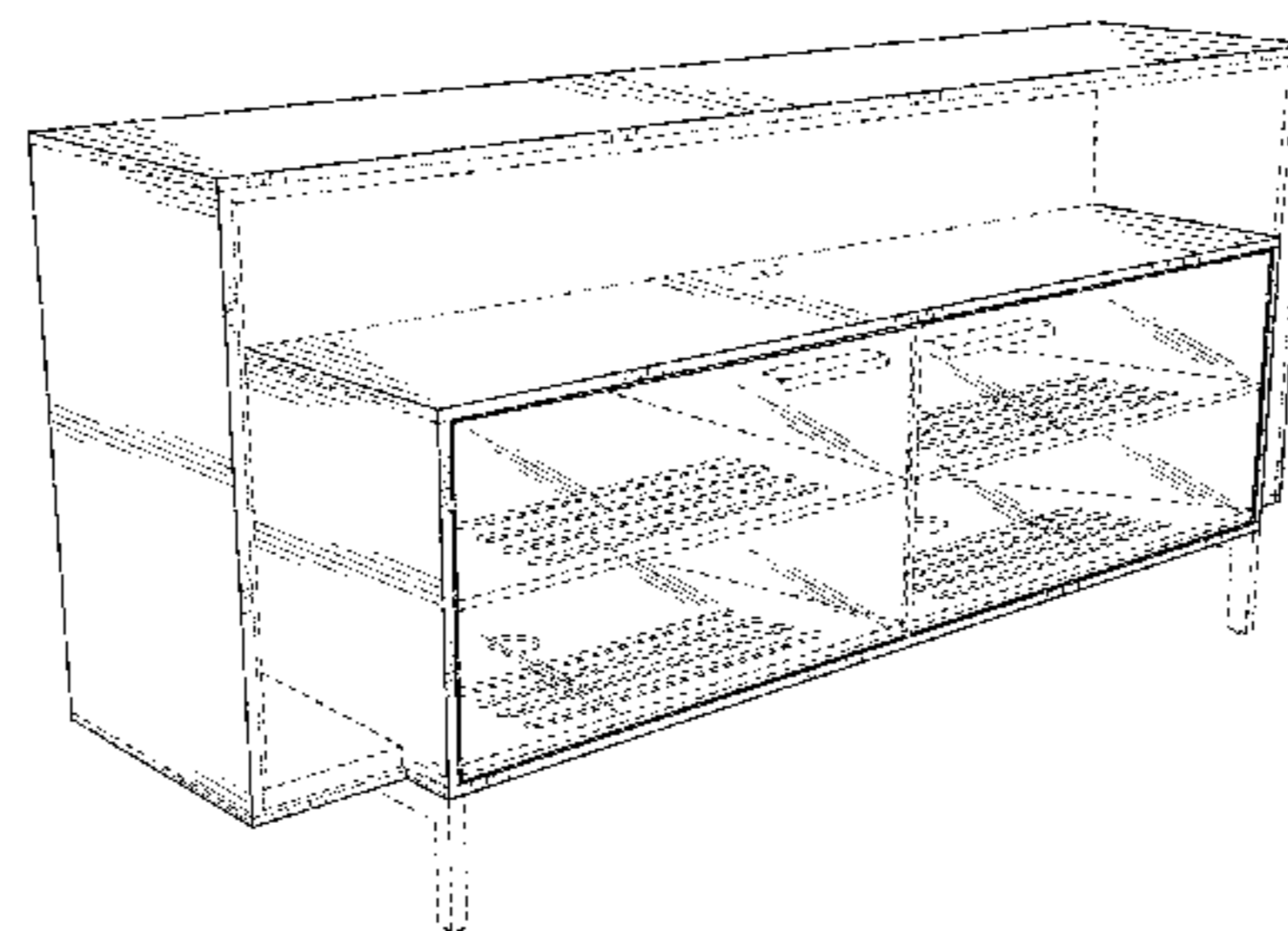
(56) **References Cited**

U.S. PATENT DOCUMENTS

D56,556 S * 11/1920 Gray D6/436
2,566,954 A * 9/1951 Murray 312/203
D547,297 S * 7/2007 Nakamura D14/168
D553,879 S * 10/2007 Juneau D6/436
D554,893 S * 11/2007 Boerner et al. D6/439
D559,585 S * 1/2008 Lara D6/436
D599,577 S * 9/2009 Lara D6/436
D606,331 S * 12/2009 Wicha D6/437
D618,016 S * 6/2010 Metcalf et al. D6/480
D630,453 S * 1/2011 Rafieha D6/436
D669,704 S * 10/2012 Zambelli D6/436

The dashed lines shown in FIGS. 1-15 are included for the purpose of illustrating environmental subject matter only and form no part of the claimed design. The dash-dot lines shown in FIGS. 1, 2, 6, 7, 11, and 12 represent boundary lines between claimed and unclaimed subject matter, with the dash-dot lines themselves representing unclaimed subject matter. The rear and bottom views are omitted and form no part of the claimed design.

1 Claim, 12 Drawing Sheets



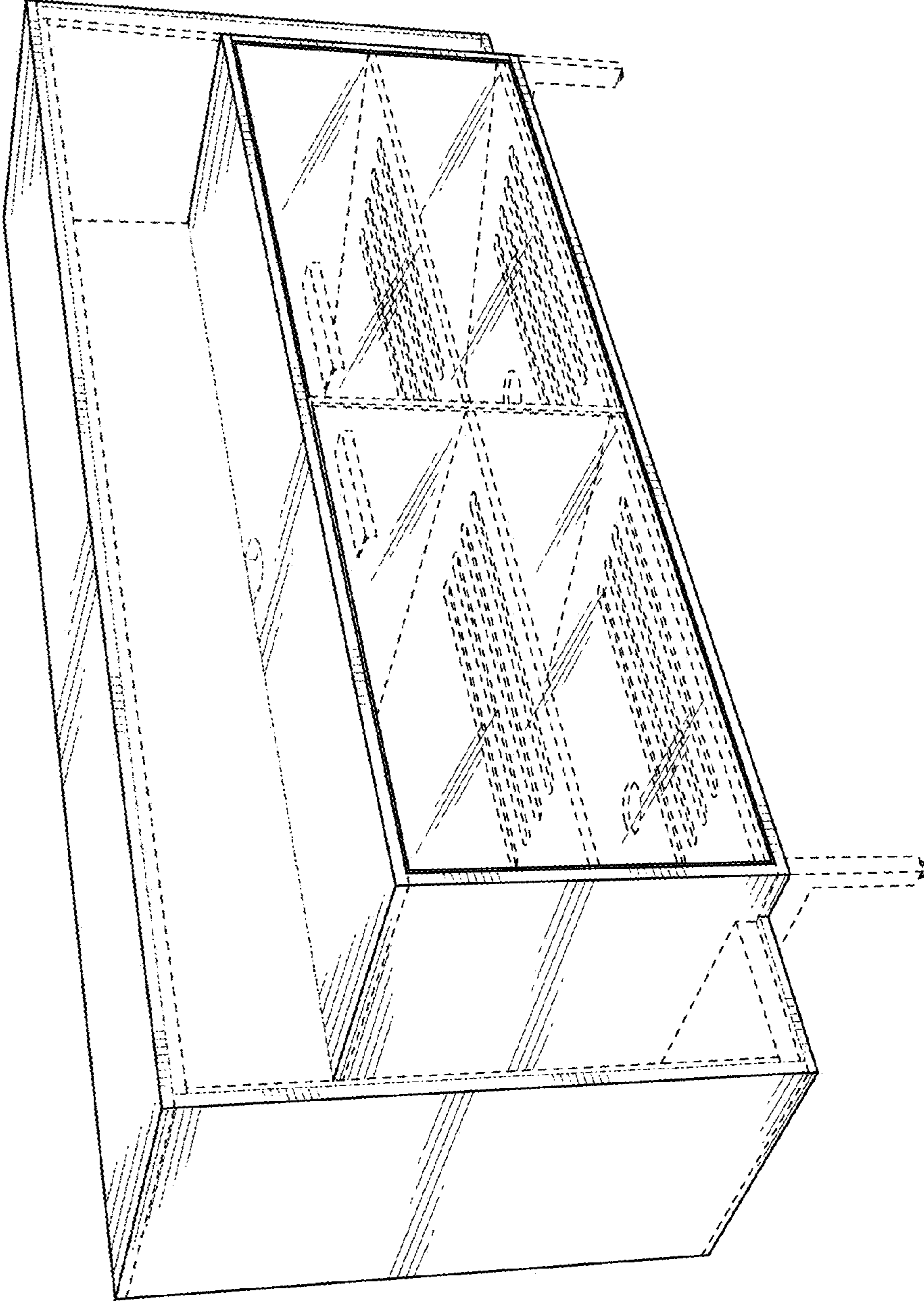


FIG. 1

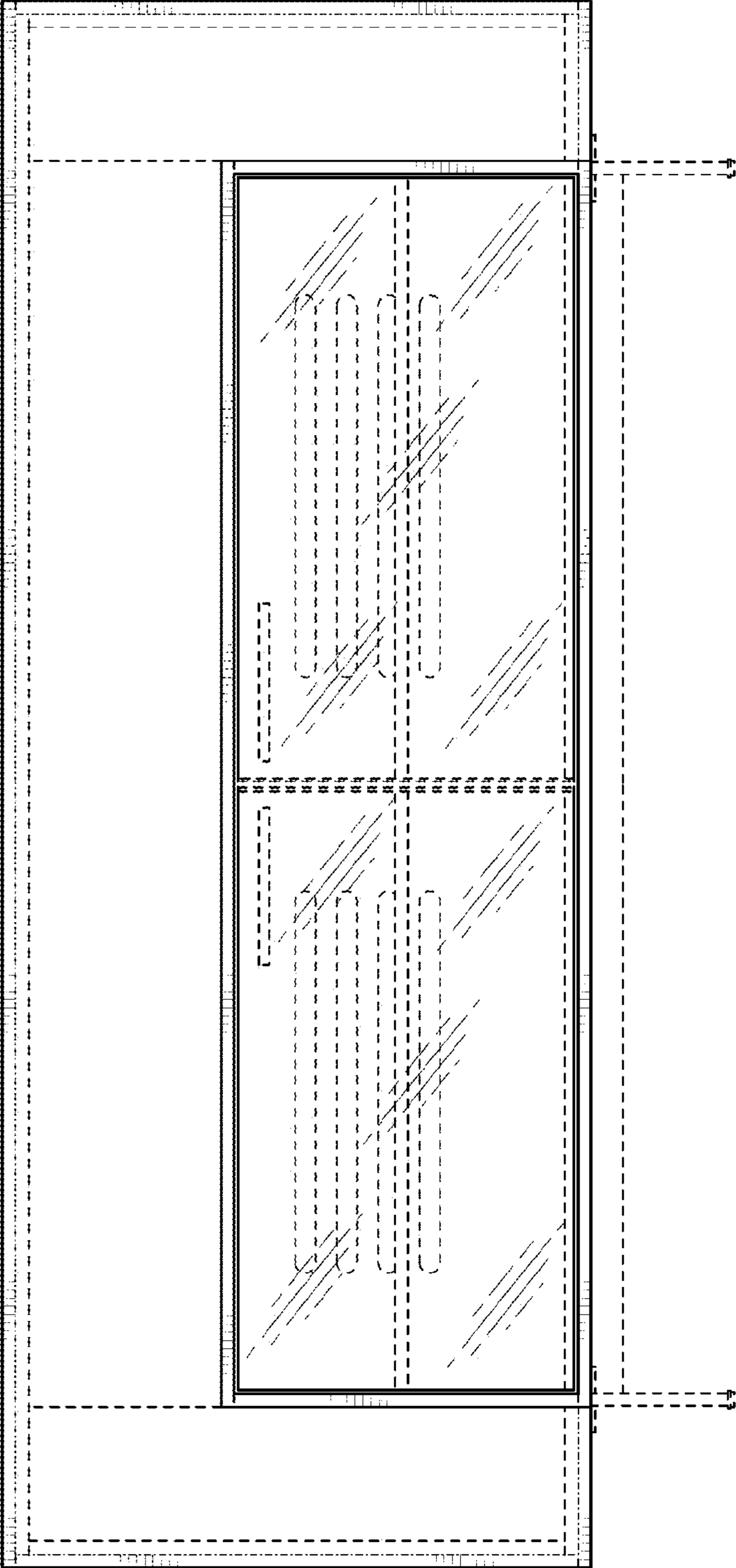


FIG. 2

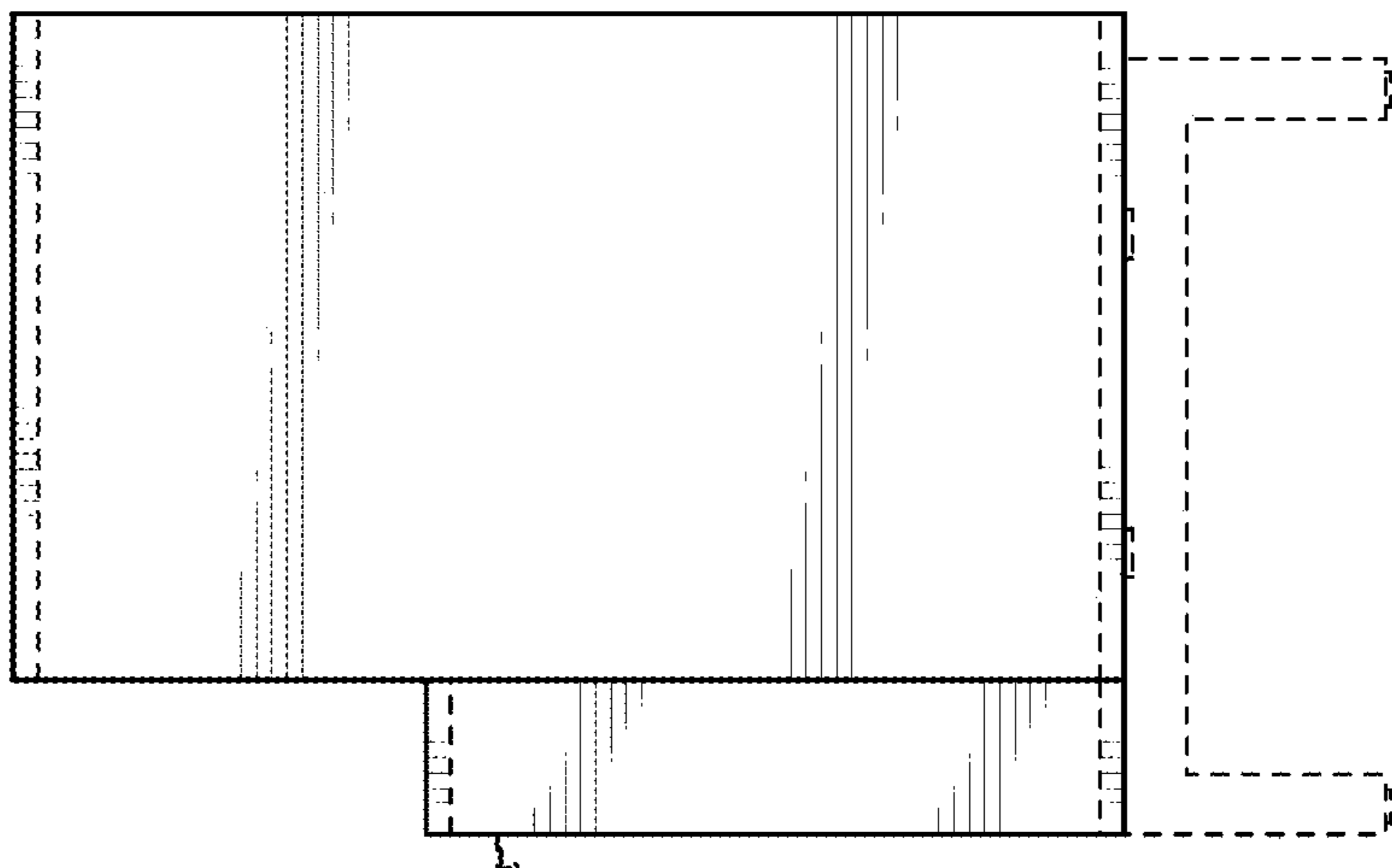


FIG. 3

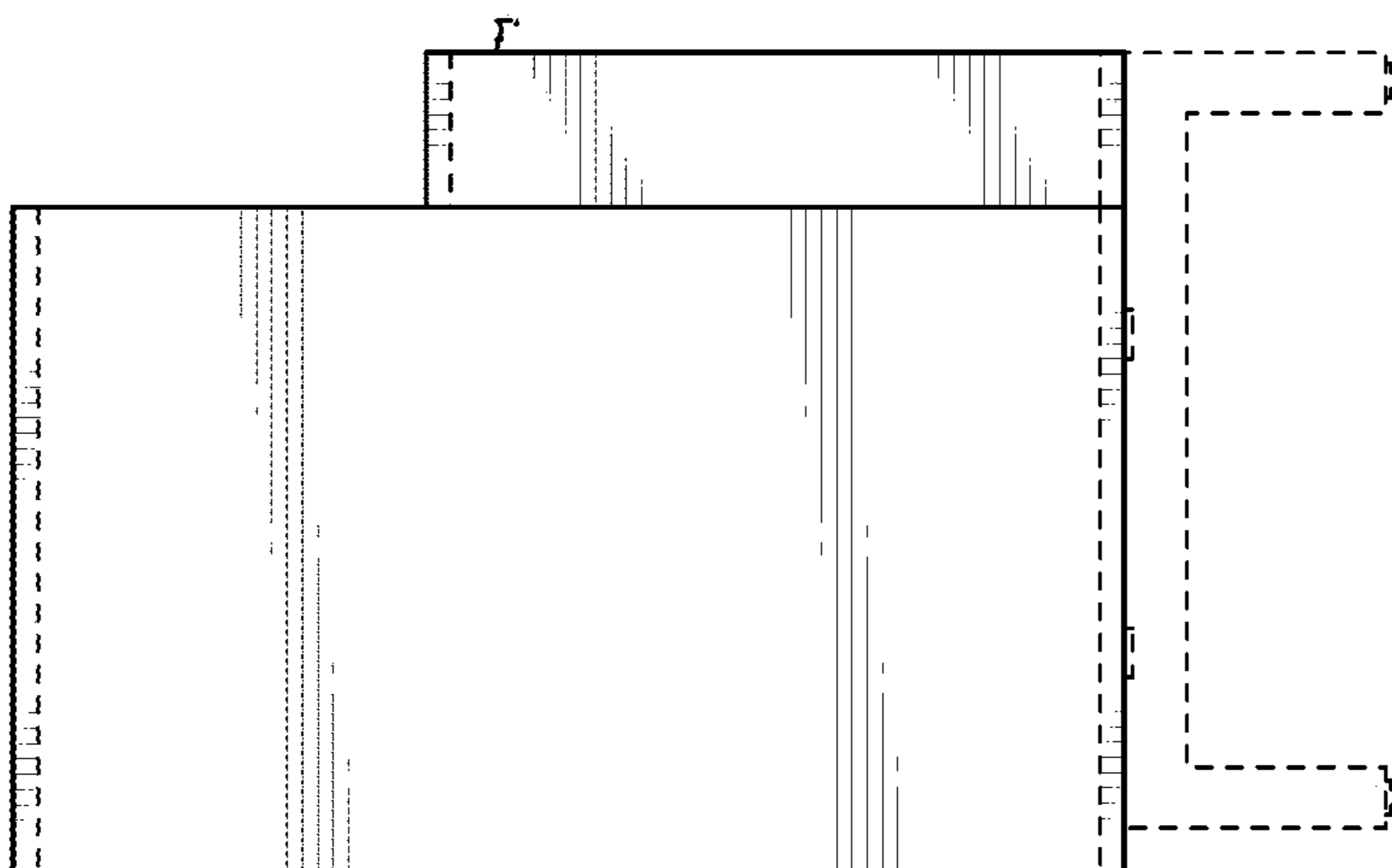


FIG. 4

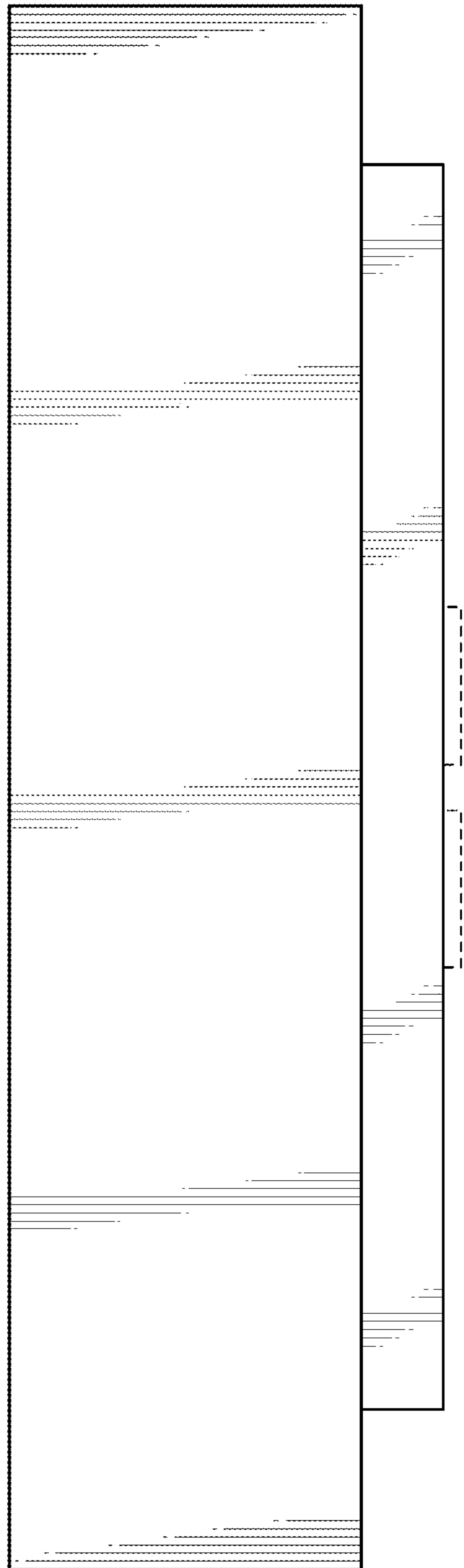


FIG. 5

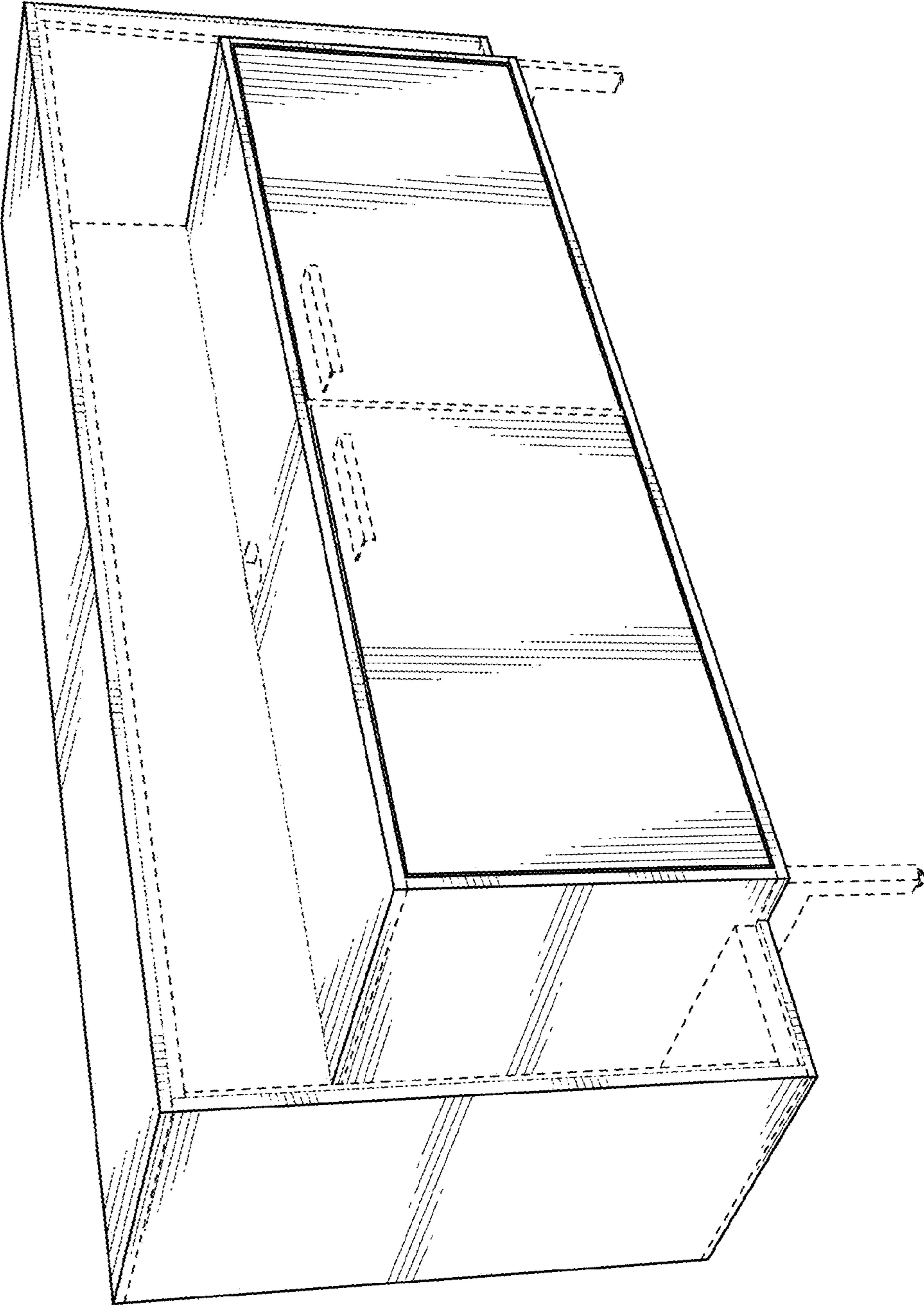


FIG. 6

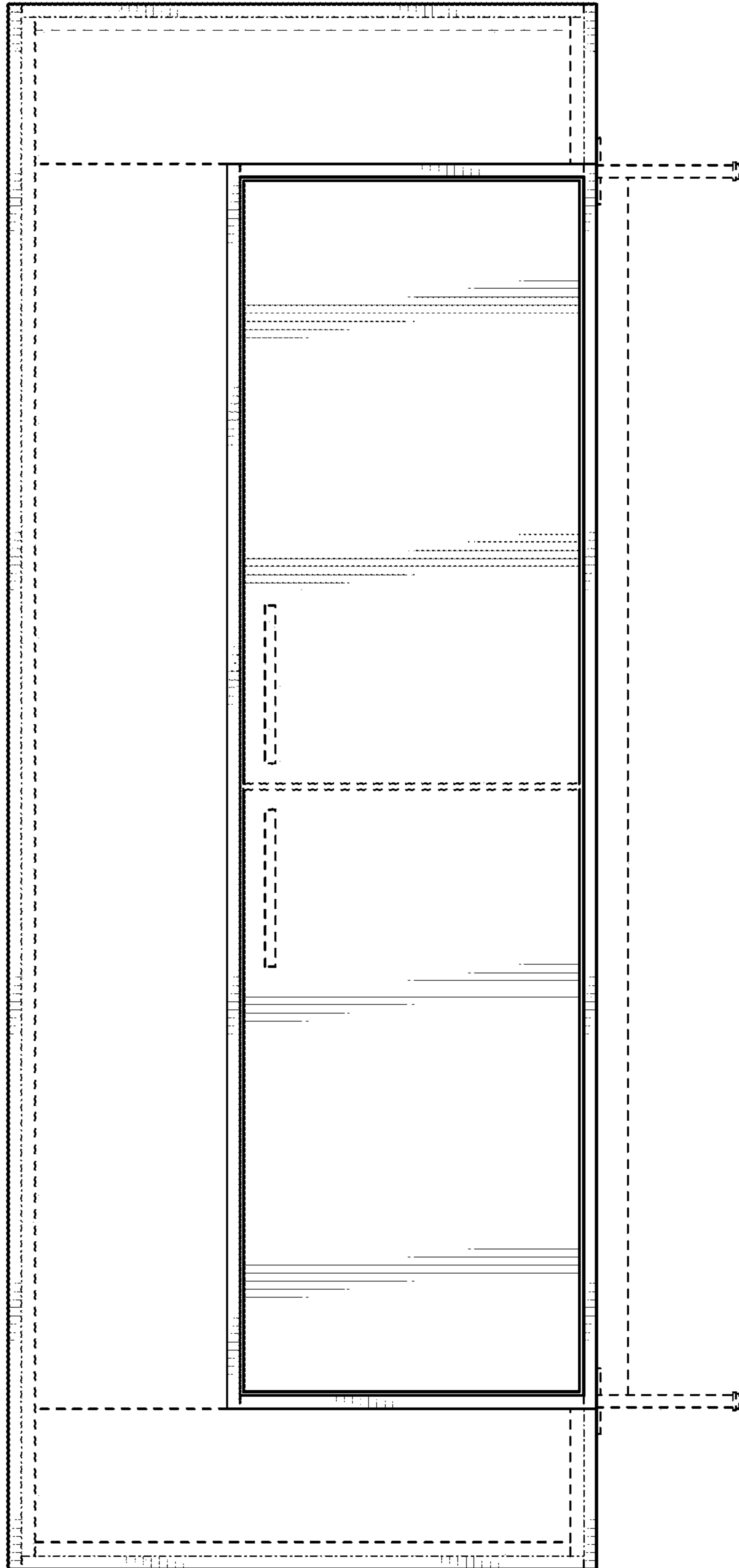


FIG. 7

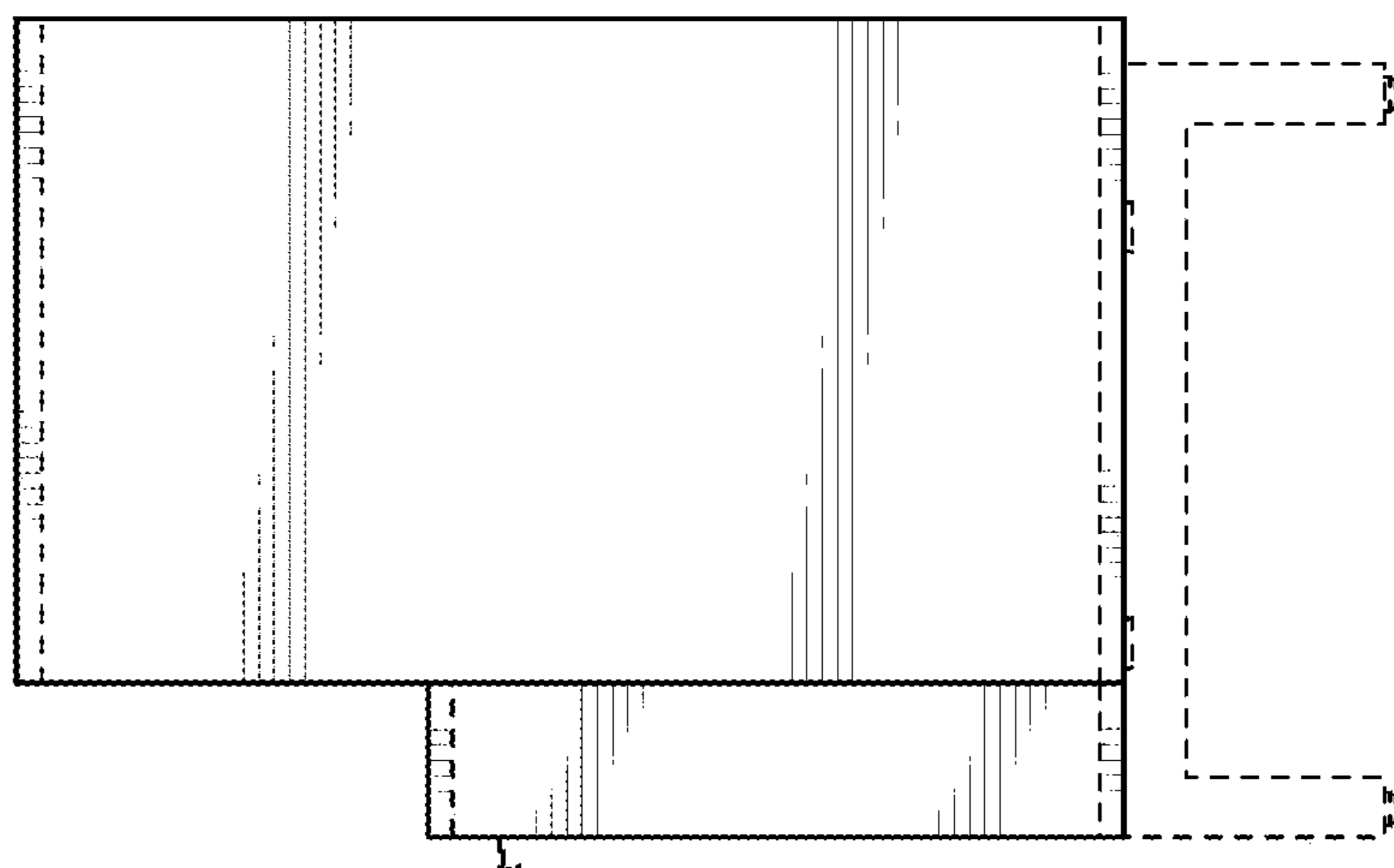


FIG. 8

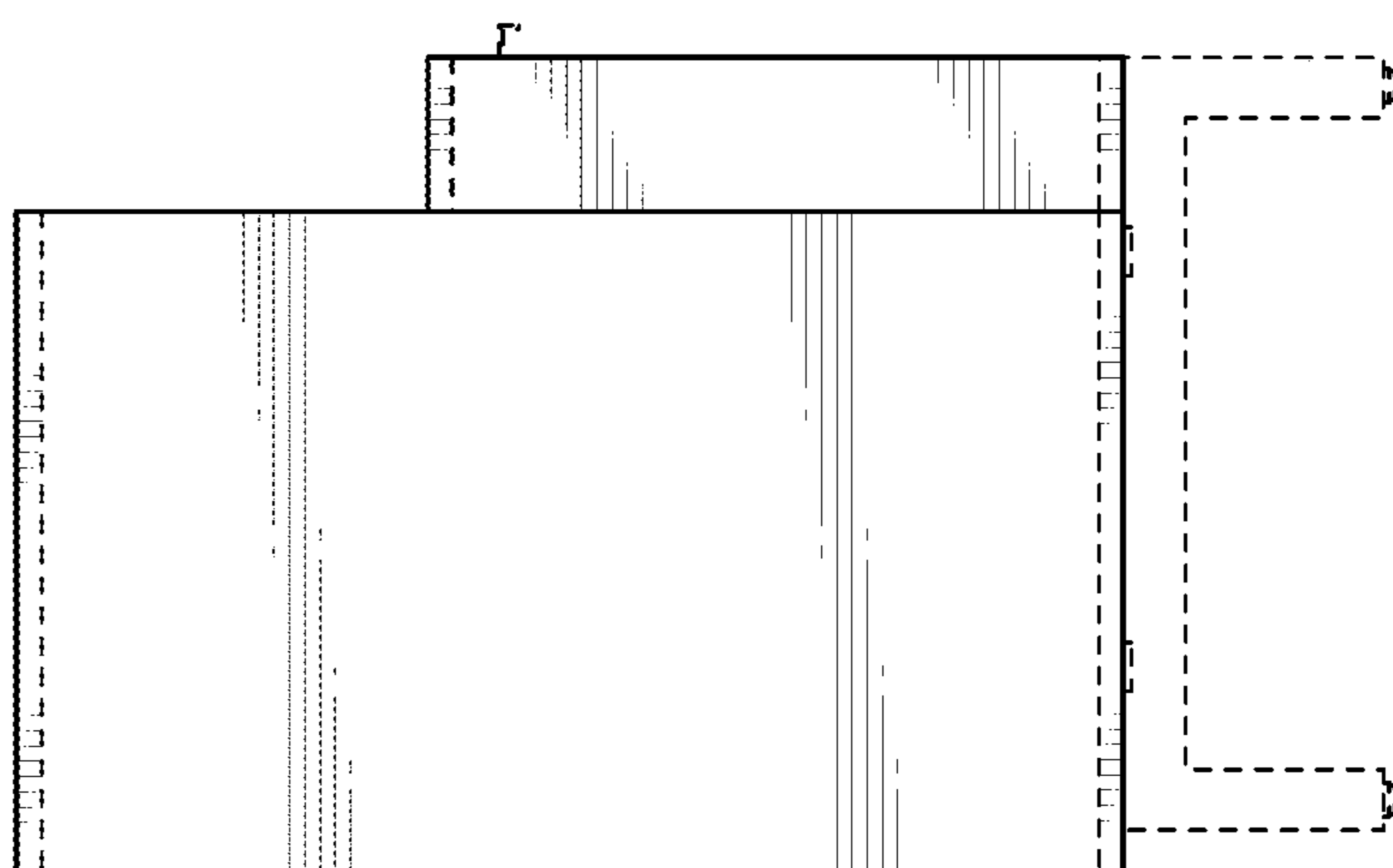


FIG. 9

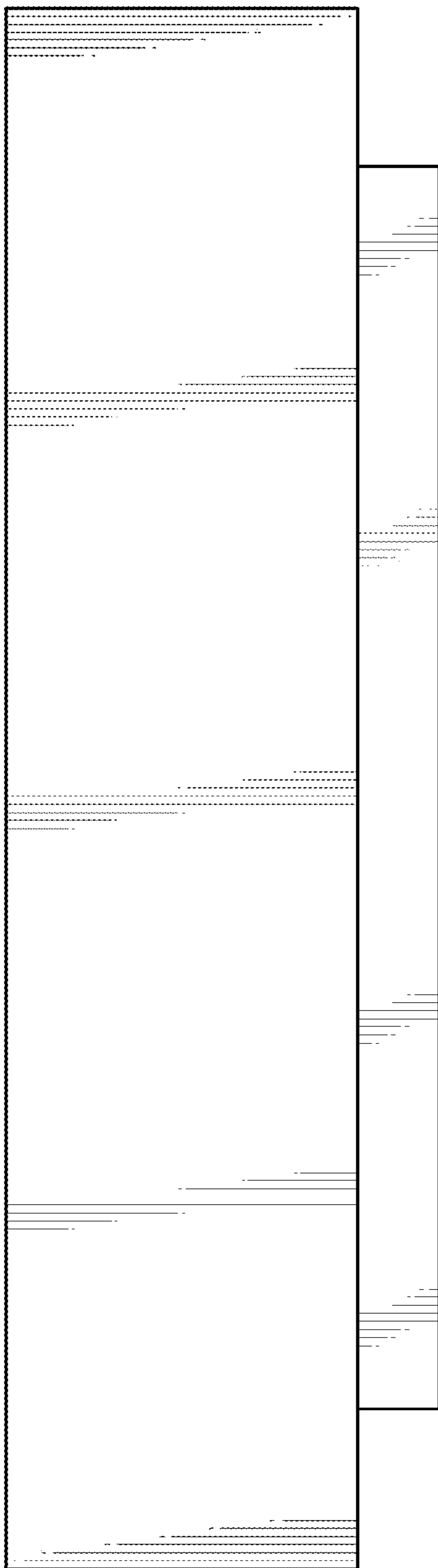


FIG. 10

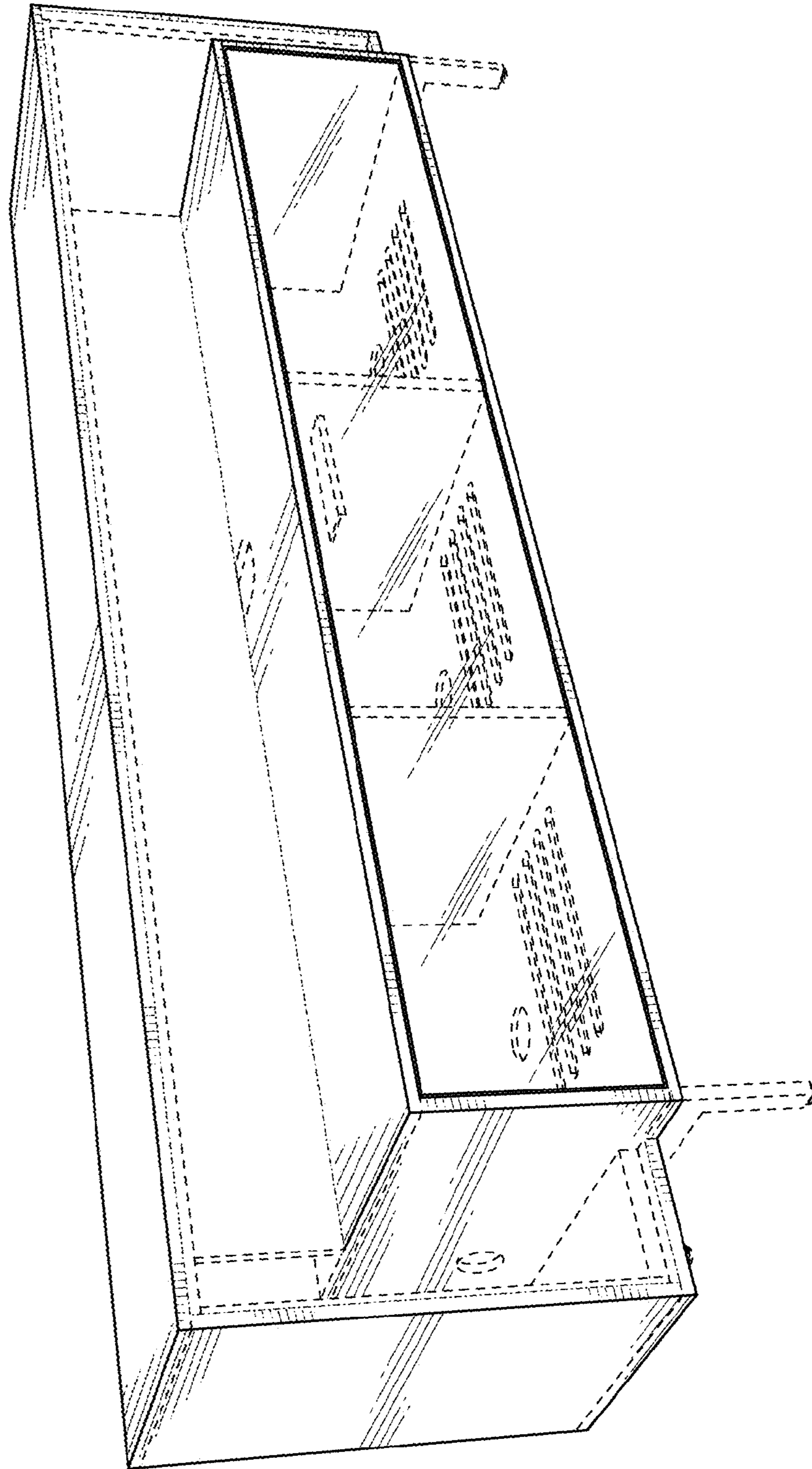


FIG. 11

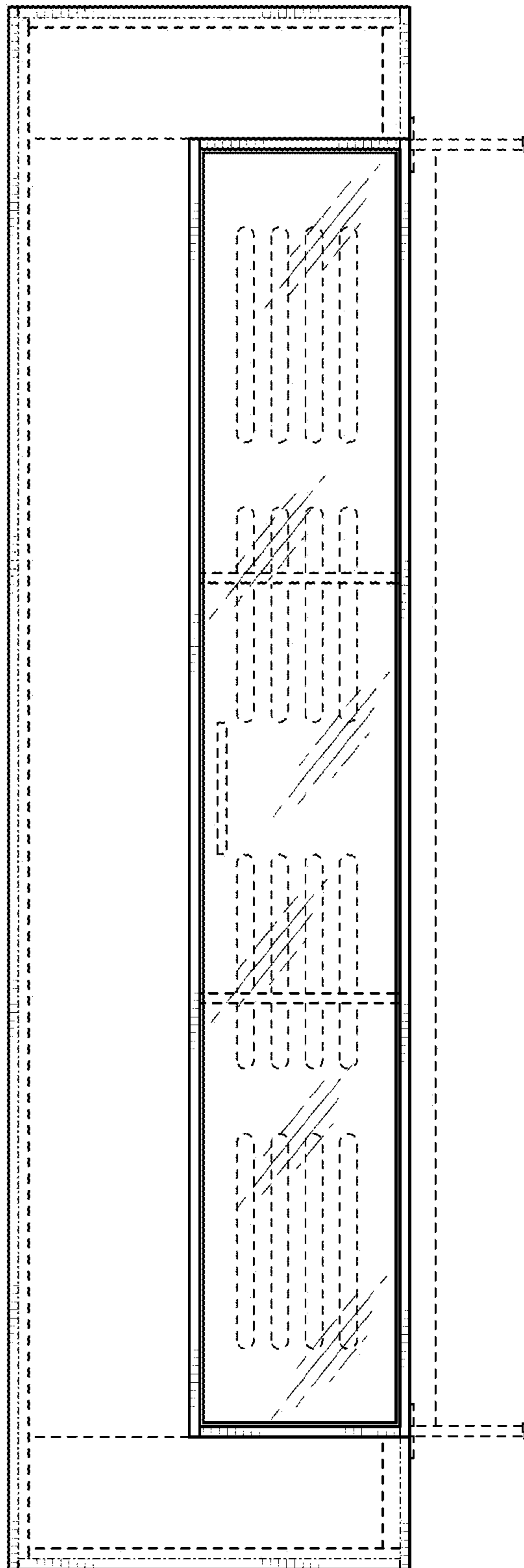


FIG. 12

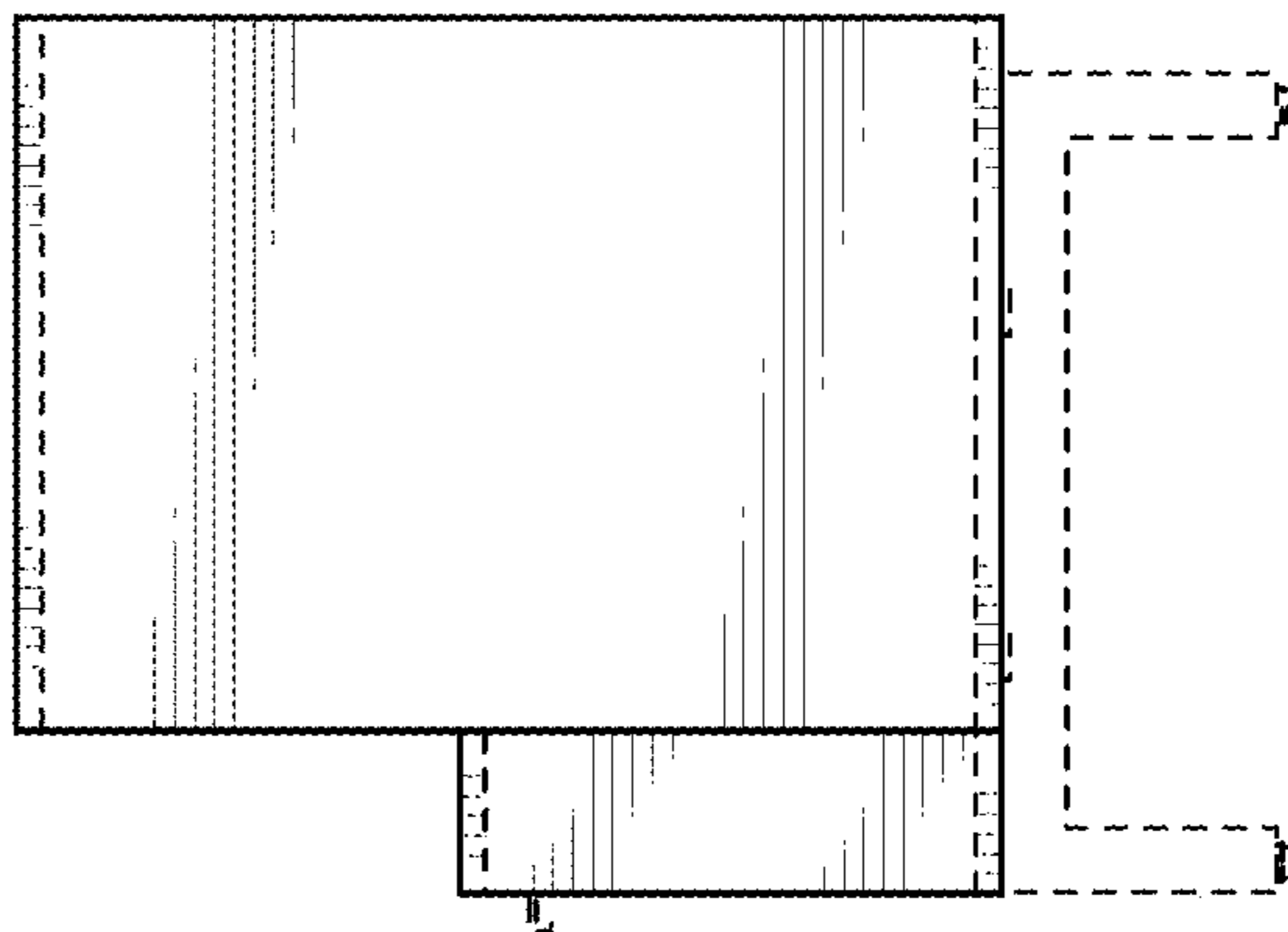


FIG. 13

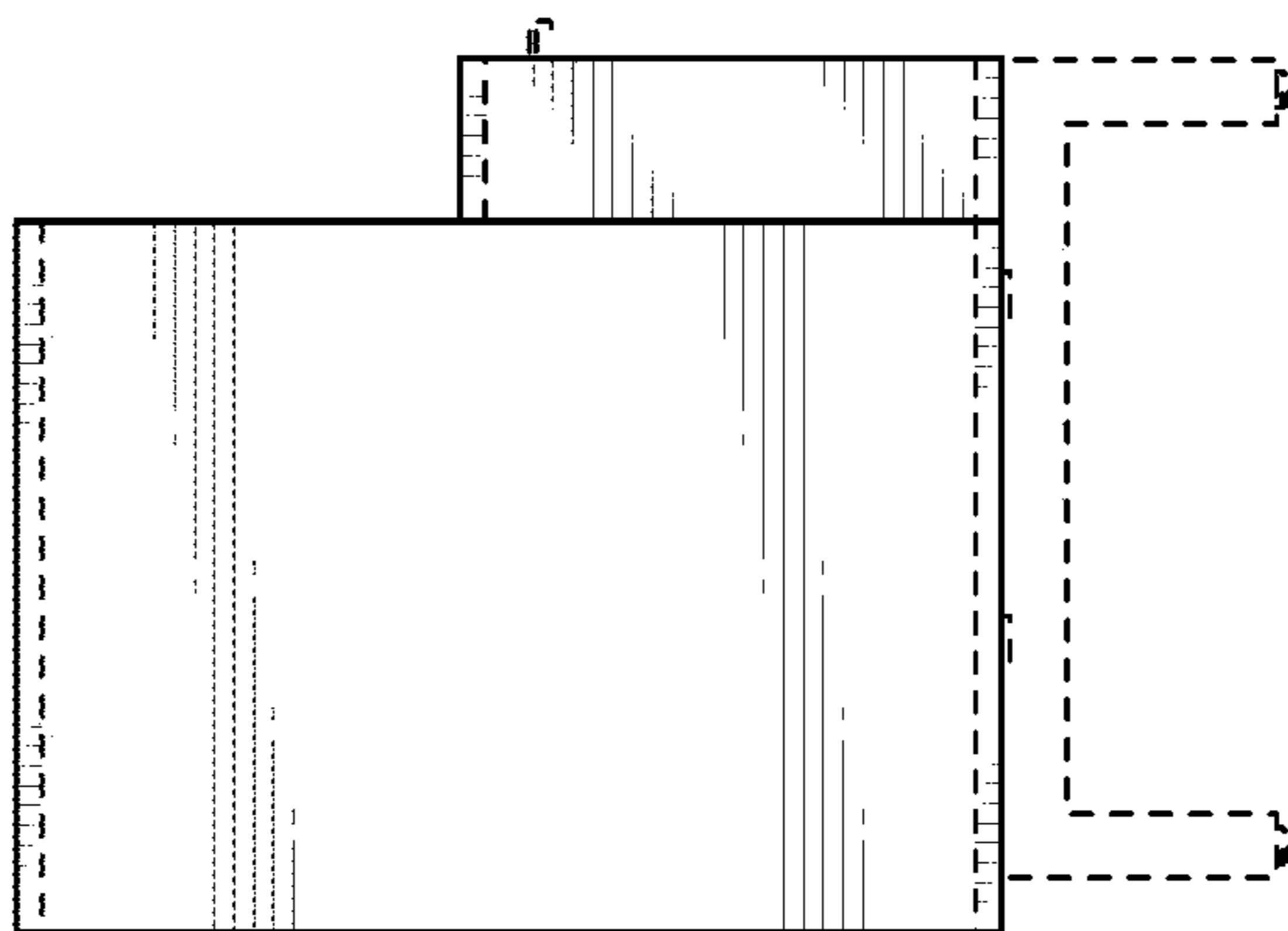


FIG. 14

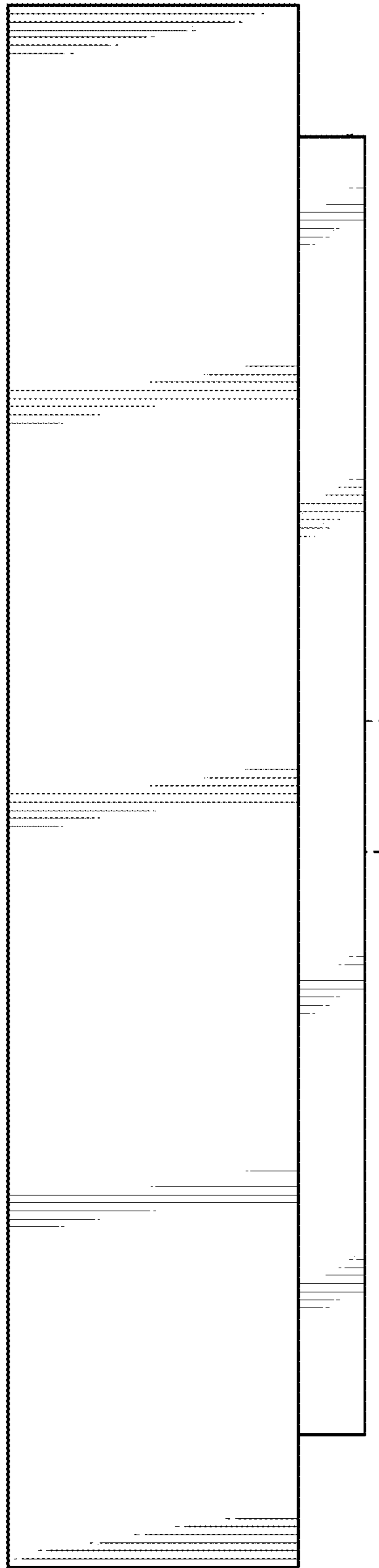


FIG. 15