



US00D724355S

(12) **United States Design Patent**
Cicerchia

(10) **Patent No.:** **US D724,355 S**

(45) **Date of Patent:** **** Mar. 17, 2015**

- (54) **DISPLAY CASE FOR BOTTLES**
- (71) Applicant: **Expo' S.R.L.**, Beinasco (IT)
- (72) Inventor: **Massimo Cicerchia**, Beinasco (IT)
- (73) Assignee: **Expo' S.R.L.**, Beinasco (TO) (IT)
- (**) Term: **14 Years**

D331,480 S *	12/1992	Aaserud	D7/705
D341,388 S *	11/1993	Rocco	D21/483
D396,162 S *	7/1998	Mutti	D6/567
D416,156 S *	11/1999	Mutti	D6/559
D493,181 S *	7/2004	Kehoe	D15/81
D509,062 S *	9/2005	Tagliati et al.	D3/277
7,178,343 B2 *	2/2007	Linder	62/3.6
D545,099 S *	6/2007	Fernandez, Jr.	D6/524
D666,433 S *	9/2012	Williams	D6/470
8,448,782 B2 *	5/2013	Chin	206/217
2009/0173101 A1 *	7/2009	Hynes	62/441

(21) Appl. No.: **29/449,781**

* cited by examiner

(22) Filed: **Mar. 15, 2013**

Primary Examiner — Ricky Pham

(51) **LOC (10) Cl.** **06-04**

(74) *Attorney, Agent, or Firm* — Young & Thompson

(52) **U.S. Cl.**
USPC **D6/661**

(58) **Field of Classification Search**
USPC D3/277, 285; D6/524, 559, 567,
D6/657-661, 661.2, 661.3, 672, 675;
D7/705; D15/81; D21/483; 62/3.6,
62/441; 206/217; 211/85.2, 95, 163;
312/107, 114, 137, 138.1, 204, 217,
312/224, 234, 242-245, 257.1, 265.3,
312/265.6, 293.2

See application file for complete search history.

(56) **References Cited**

U.S. PATENT DOCUMENTS

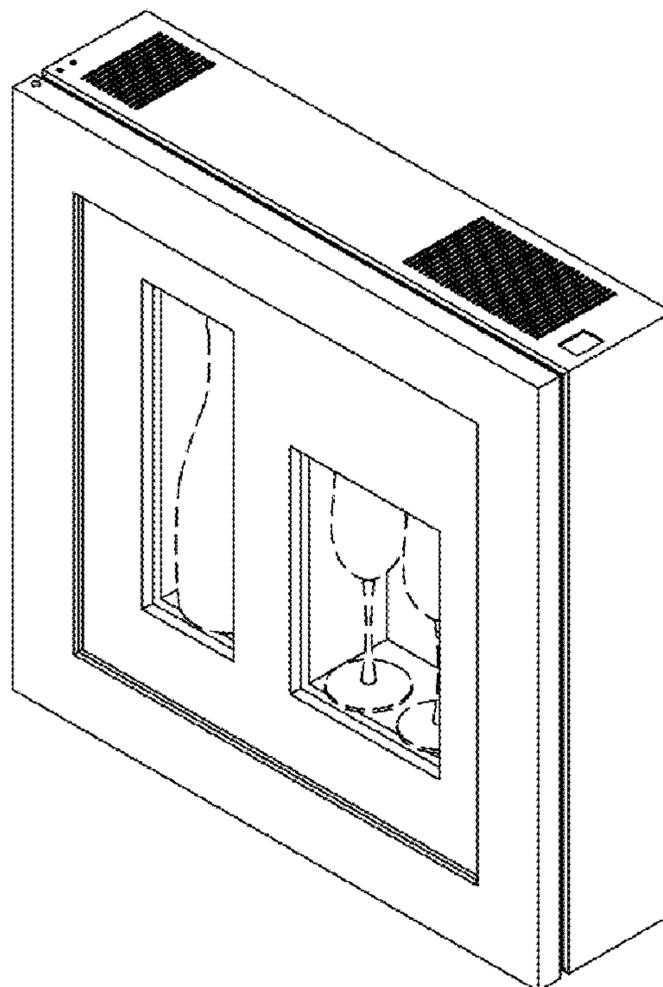
809,592 A *	1/1906	Watts, Jr.	312/242
D263,176 S *	3/1982	Harrington	D3/285

(57) **CLAIM**
The ornamental design for a display case for bottles, as shown and described.

DESCRIPTION

FIG. 1 is a perspective view of a display case for bottles showing my new design;
FIG. 2 is a front view of a display case for bottles showing my new design; and,
FIG. 3 is a left side view of a display case for bottles showing my new design.
Elements shown in broken lines in FIGS. 1-3 do not form part of the design for which protection is sought.

1 Claim, 1 Drawing Sheet



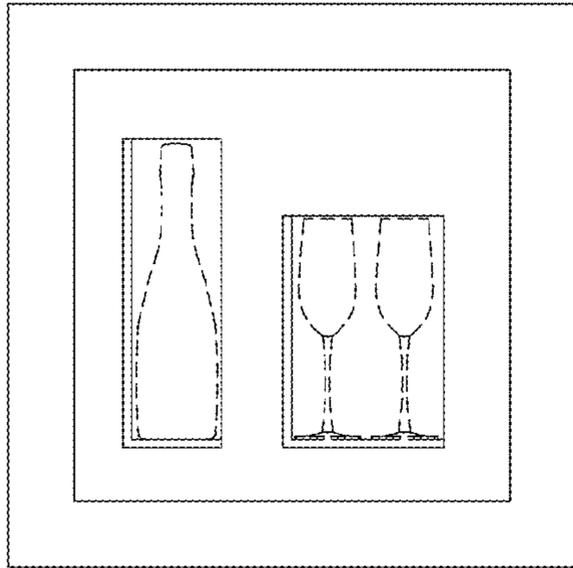


FIG. 2

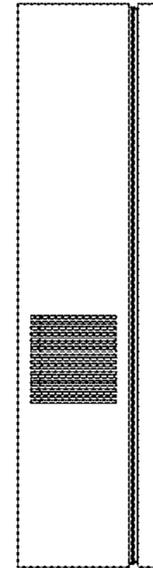


FIG. 3

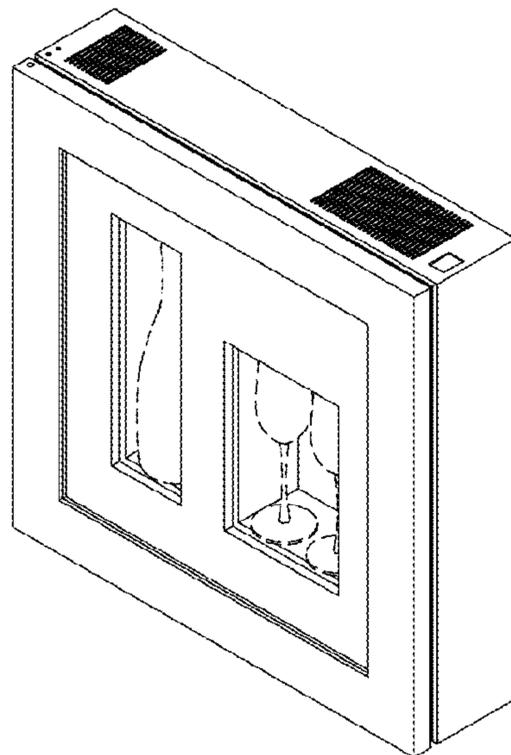


FIG. 1