

US00D724354S

(12) **United States Design Patent**
Sekine et al.

(10) **Patent No.:** **US D724,354 S**
(45) **Date of Patent:** **** Mar. 17, 2015**

(54) **STORAGE RACK FOR OPTICAL DISK RECORDER**

(71) Applicant: **Panasonic Intellectual Property Management Co., Ltd., Osaka (JP)**

(72) Inventors: **Takeshi Sekine, Osaka (JP); Kiyoshi Yoneya, Osaka (JP)**

(73) Assignee: **Panasonic Intellectual Property Management Co., Ltd., Osaka (JP)**

(**) Term: **14 Years**

(21) Appl. No.: **29/511,102**

(22) Filed: **Dec. 5, 2014**

(30) **Foreign Application Priority Data**

Jun. 27, 2014 (JP) 2014-014050

(51) **LOC (10) Cl.** **06-04**

(52) **U.S. Cl.**
USPC **D6/630**

(58) **Field of Classification Search**
CPC G11B 33/022; G11B 33/0461; G11B 33/0466; G11B 2220/2537
USPC D6/407, 449, 626-630, 635; D9/418, D9/428; D3/218, 303, 304; 206/751, 755, 206/309-312, 232; 720/719, 655, 728, 734
See application file for complete search history.

(56) **References Cited**

U.S. PATENT DOCUMENTS

D245,300 S * 8/1977 Mathus et al. D6/569
4,123,128 A * 10/1978 Abele 312/244

D259,450 S * 6/1981 Veralrud D6/629
4,293,075 A * 10/1981 Veralrud 211/40
4,889,244 A * 12/1989 Hehn et al. 211/40
D326,378 S * 5/1992 Yunger et al. D6/467
D346,510 S * 5/1994 Long et al. D6/407
D380,460 S * 7/1997 Alfonso et al. D14/365
D391,113 S * 2/1998 Marhefka D6/629
D458,504 S * 6/2002 Liu D6/630
D483,754 S * 12/2003 Ueno et al. D14/260.1
D488,000 S * 4/2004 Chen D6/407
D495,690 S * 9/2004 Lin D14/260.1
D517,548 S * 3/2006 Wedding D14/368
D610,833 S * 3/2010 Grzybowksi et al. D6/455
D618,481 S * 6/2010 Mayer et al. D6/630

* cited by examiner

Primary Examiner — Kelley Donnelly

(74) *Attorney, Agent, or Firm* — Panasonic Patent Center

(57) **CLAIM**

We claim the ornamental design for a storage rack for optical disk recorder, as shown and described.

DESCRIPTION

FIG. 1 is a front perspective view of a storage rack for optical disk recorder of the present invention;
FIG. 2 is a front view thereof;
FIG. 3 is a rear perspective view thereof;
FIG. 4 is a first side view thereof;
FIG. 5 is a second side view thereof;
FIG. 6 is a top view thereof; and,
FIG. 7 is a bottom view thereof.

The broken line showing of storage rack for optical disk recorder is included for the purpose of illustrating environment and forms no part of the claimed design.

1 Claim, 7 Drawing Sheets

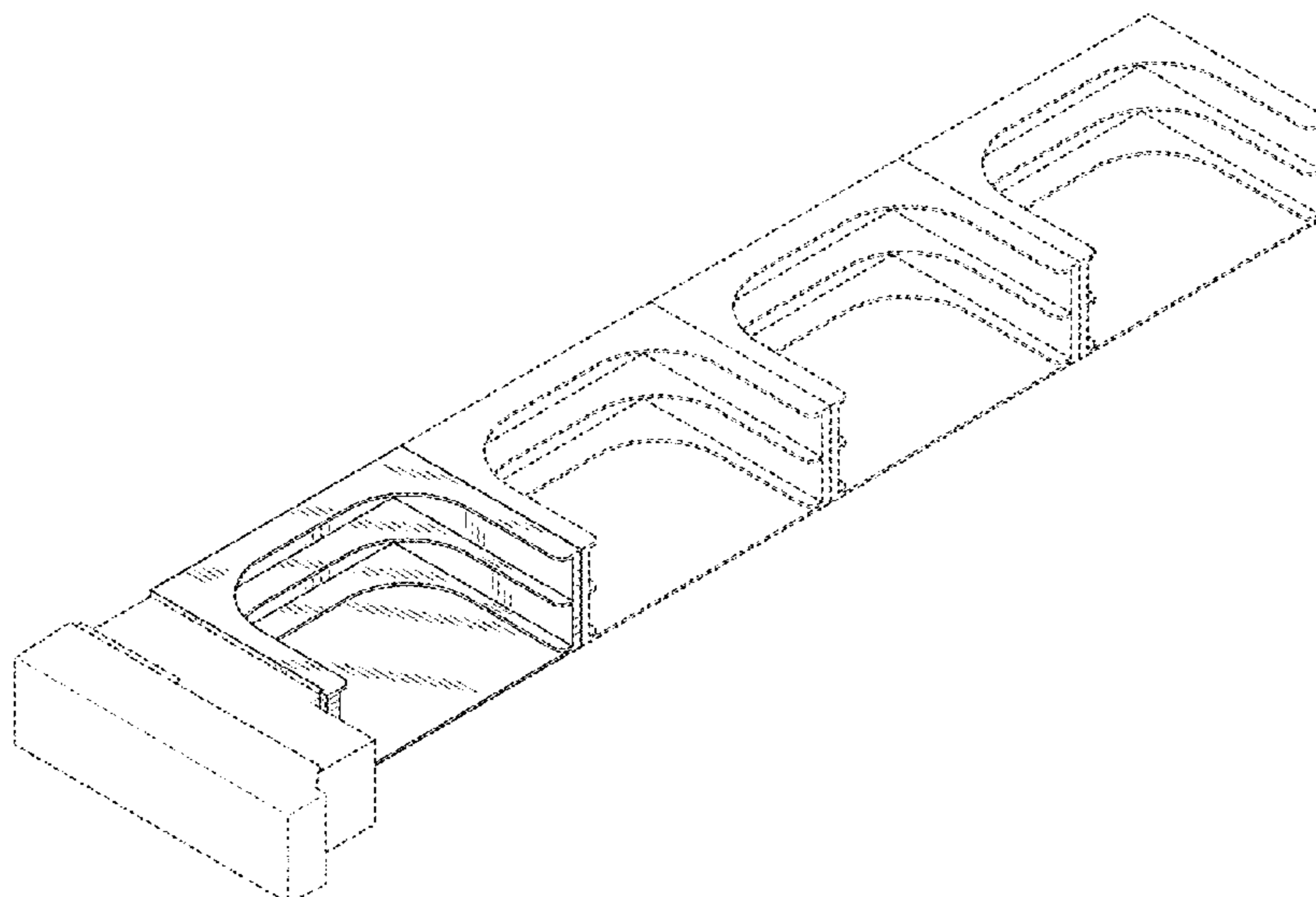


FIG. 1

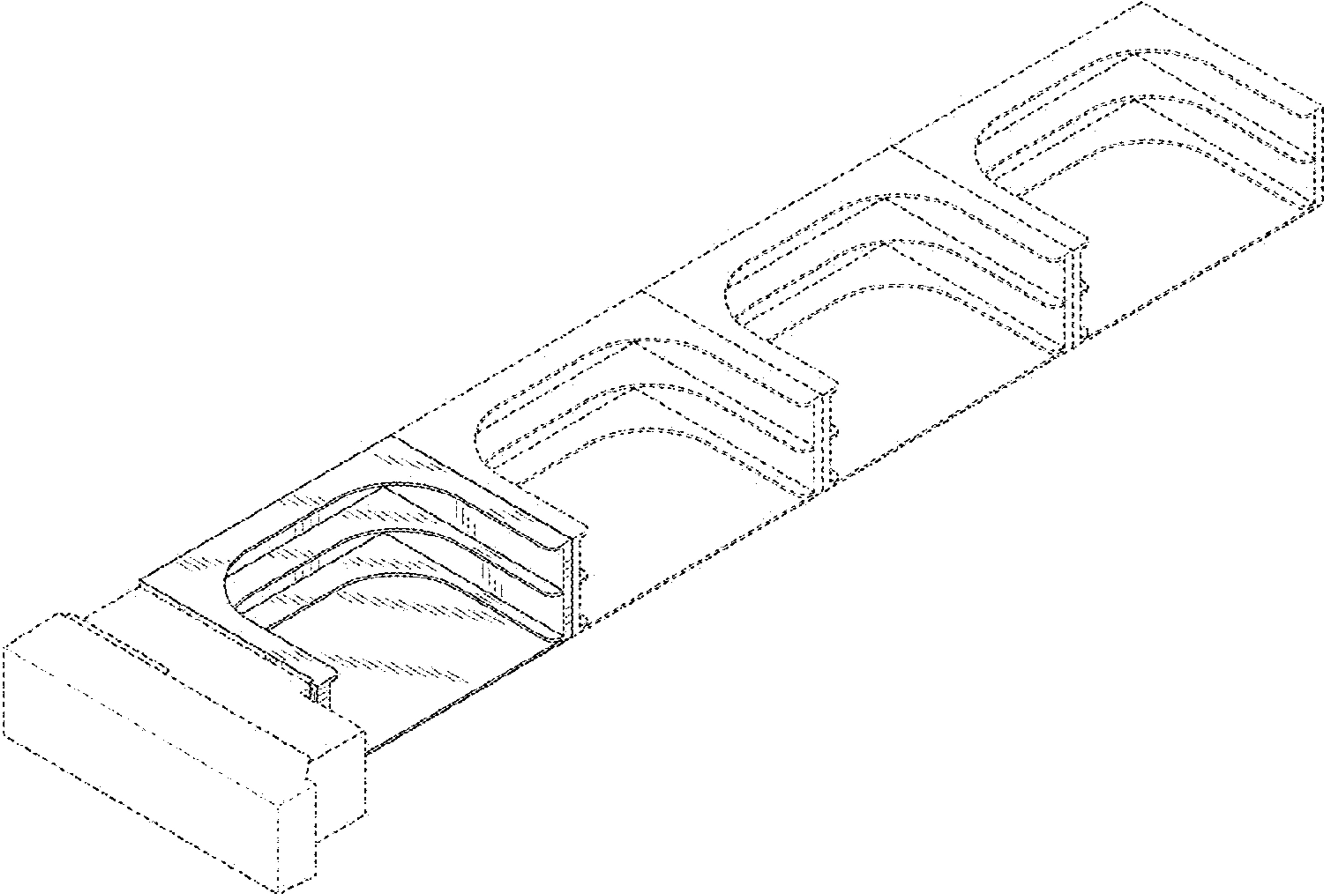


FIG. 2

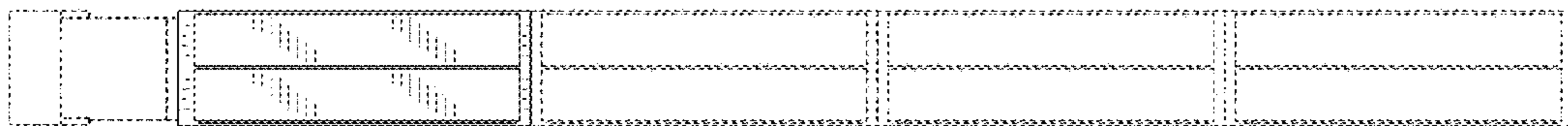


FIG. 3

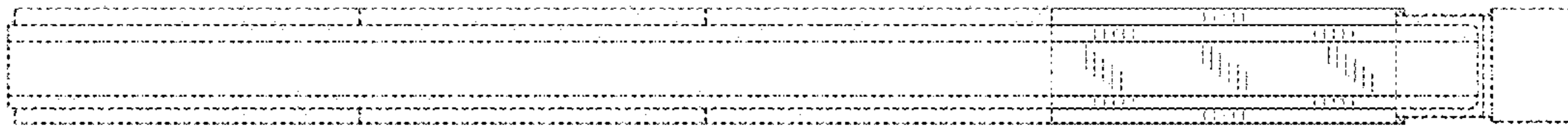


FIG. 4



FIG. 5



FIG. 6

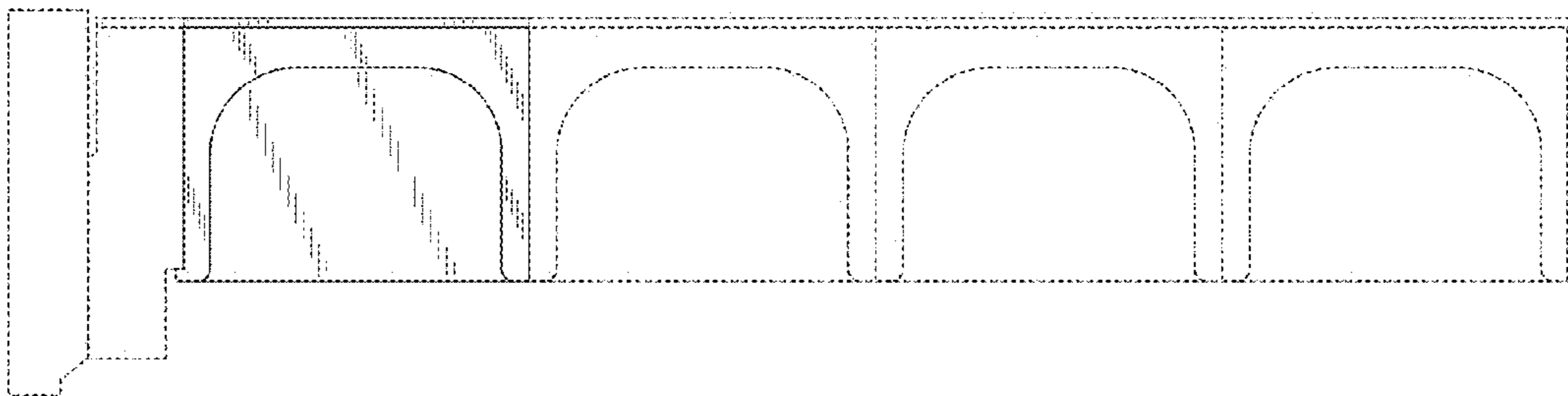


FIG. 7

