

US00D724348S

(12) **United States Design Patent**  
**Cheng**

(10) **Patent No.:** **US D724,348 S**  
(45) **Date of Patent:** **\*\* Mar. 17, 2015**

- (54) **DOUBLE CELLULAR SHADE**
- (71) Applicant: **Li-Ming Cheng**, Kaohsiung (TW)
- (72) Inventor: **Li-Ming Cheng**, Kaohsiung (TW)
- (\*\*) Term: **14 Years**
- (21) Appl. No.: **29/467,347**
- (22) Filed: **Sep. 18, 2013**
- (51) **LOC (10) Cl.** ..... **06-10**
- (52) **U.S. Cl.**  
USPC ..... **D6/575**
- (58) **Field of Classification Search**  
USPC ..... D6/575, 576, 577, 578, 579, 580, 581;  
D8/349, 352, 353, 368, 369, 376;  
160/84.01, 84.02, 84.03, 84.04, 84.05,  
160/84.06, 84.07, 84.08  
See application file for complete search history.

7,404,428	B2 *	7/2008	Sun et al. ....	160/84.05
7,730,925	B1 *	6/2010	Pereira ....	160/84.04
D663,147	S *	7/2012	Cheng ....	D6/575
8,568,859	B2 *	10/2013	Yu et al. ....	428/178
D701,060	S *	3/2014	Strand ....	D6/575
D704,475	S *	5/2014	Cheng ....	D6/575
2011/0114270	A1 *	5/2011	Ruggles et al. ....	160/84.03

\* cited by examiner

*Primary Examiner* — Karen S Acker  
*Assistant Examiner* — Wendy Arminio  
(74) *Attorney, Agent, or Firm* — Muncy, Geissler, Olds & Lowe, P.C.

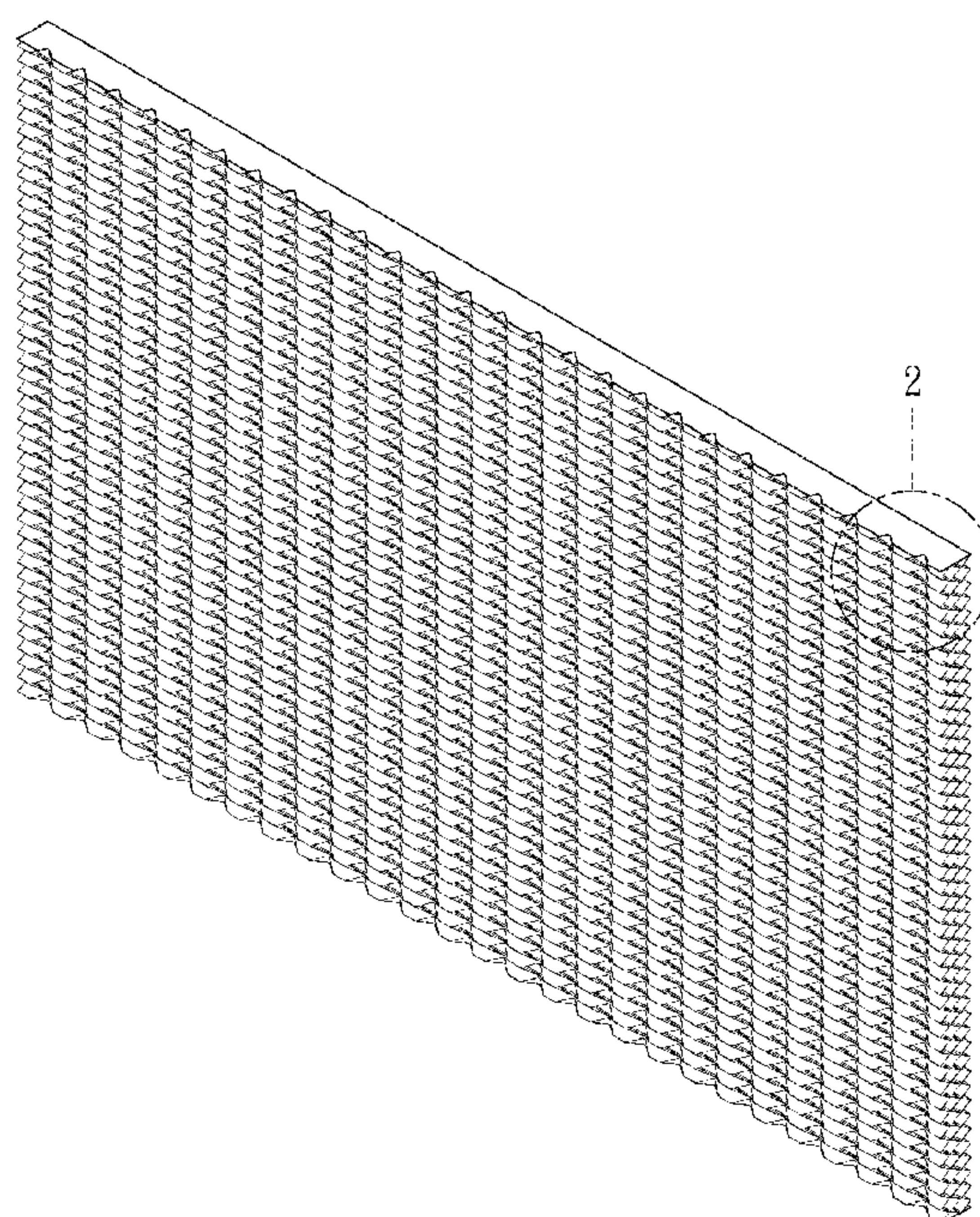
(57) **CLAIM**  
The ornamental design for a double cellular shade, as shown and described.

**DESCRIPTION**

FIG. 1 is a perspective view of a double cellular shade showing my new design;  
FIG. 2 is an enlarged detail view of area 2 circumscribed within FIG. 1;  
FIG. 3 is a front elevation view thereof;  
FIG. 4 is a rear elevation view thereof;  
FIG. 5 is a left side elevation view thereof;  
FIG. 6 is a right side elevation view thereof;  
FIG. 7 is a top plan view thereof; and,  
FIG. 8 is a bottom plan view thereof.  
The dot dash dot broken lines in FIGS. 1 and 2 indicate the boundaries of the enlarged detail view of the double cellular shade and form no part of the claimed design.

**1 Claim, 6 Drawing Sheets**

- (56) **References Cited**  
U.S. PATENT DOCUMENTS
- |           |      |         |               |           |
|-----------|------|---------|---------------|-----------|
| 4,685,986 | A *  | 8/1987  | Anderson      | 156/197   |
| 4,984,617 | A *  | 1/1991  | Corey         | 160/84.02 |
| D353,503  | S *  | 12/1994 | Belue         | D6/577    |
| 5,482,750 | A *  | 1/1996  | Colson et al. | 428/12    |
| 5,706,876 | A *  | 1/1998  | Lysyj         | 160/84.05 |
| 5,834,090 | A *  | 11/1998 | Huang         | 428/116   |
| 6,527,895 | B1 * | 3/2003  | Palmer        | 156/197   |
| D479,078  | S *  | 9/2003  | Chen          | D6/580    |
| D493,057  | S *  | 7/2004  | Newlon        | D6/577    |
| D493,650  | S *  | 8/2004  | Tuzmen        | D6/575    |
| D557,545  | S *  | 12/2007 | Asada         | D6/575    |





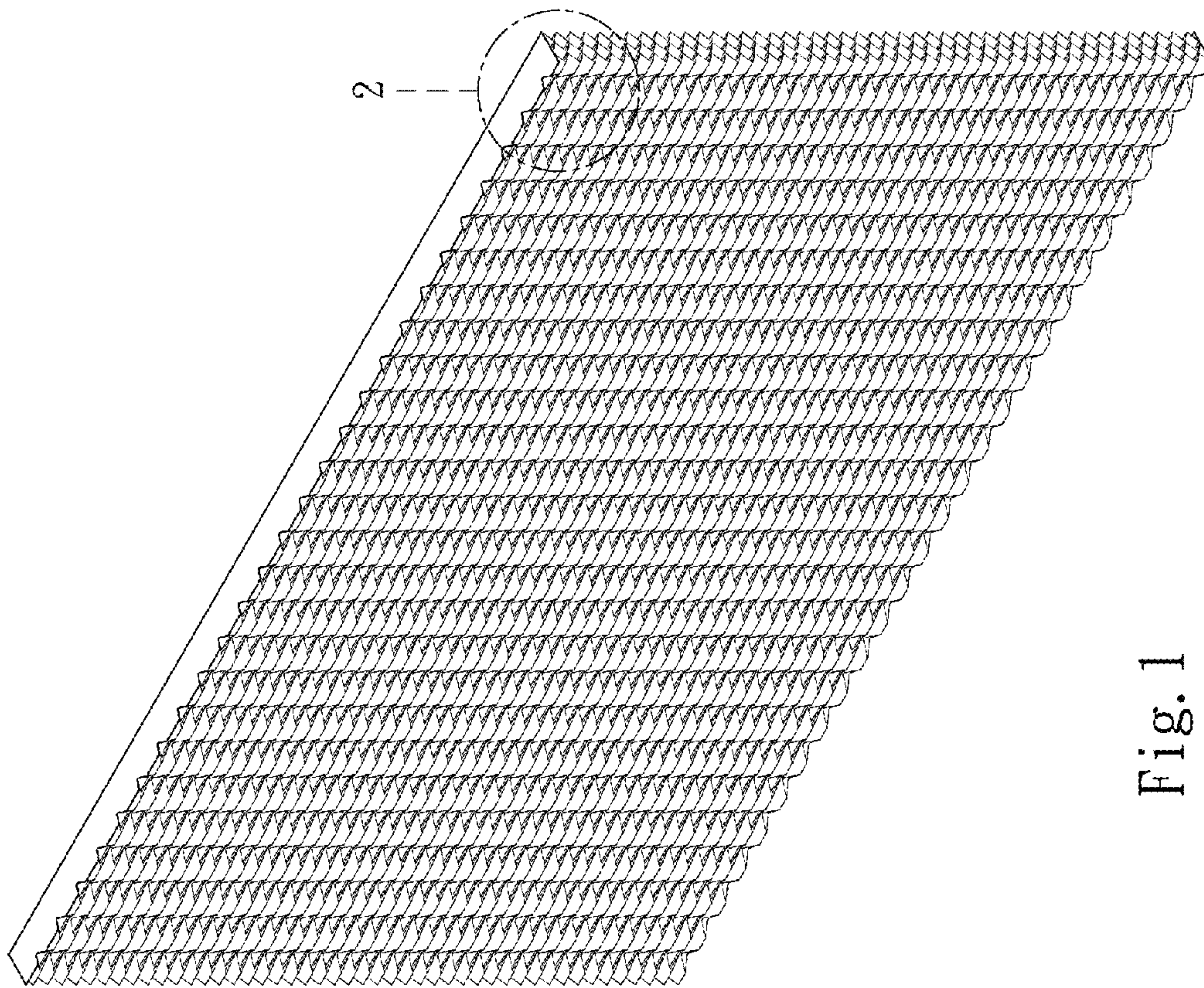


Fig. 1

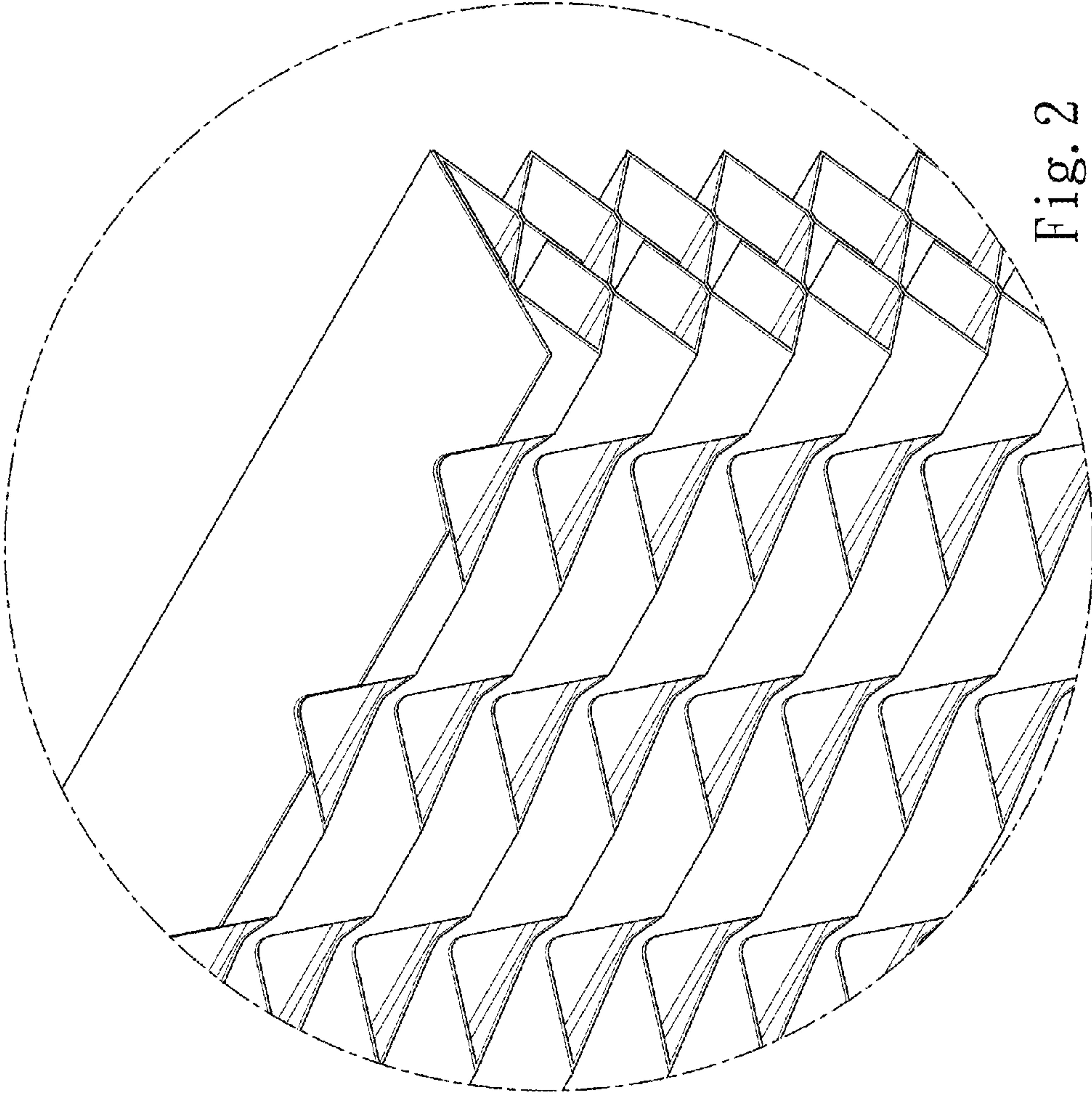


Fig. 2



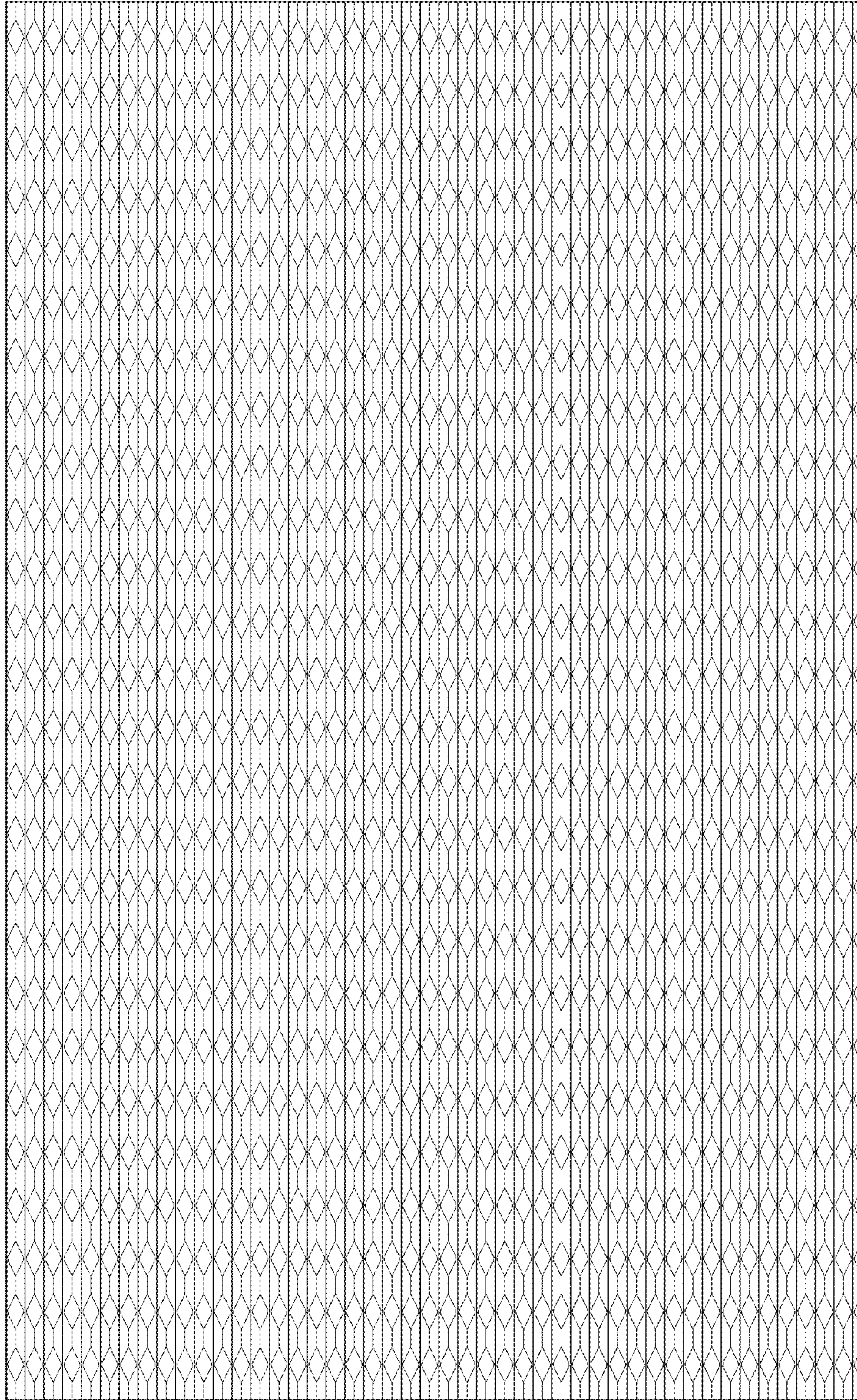


Fig. 3



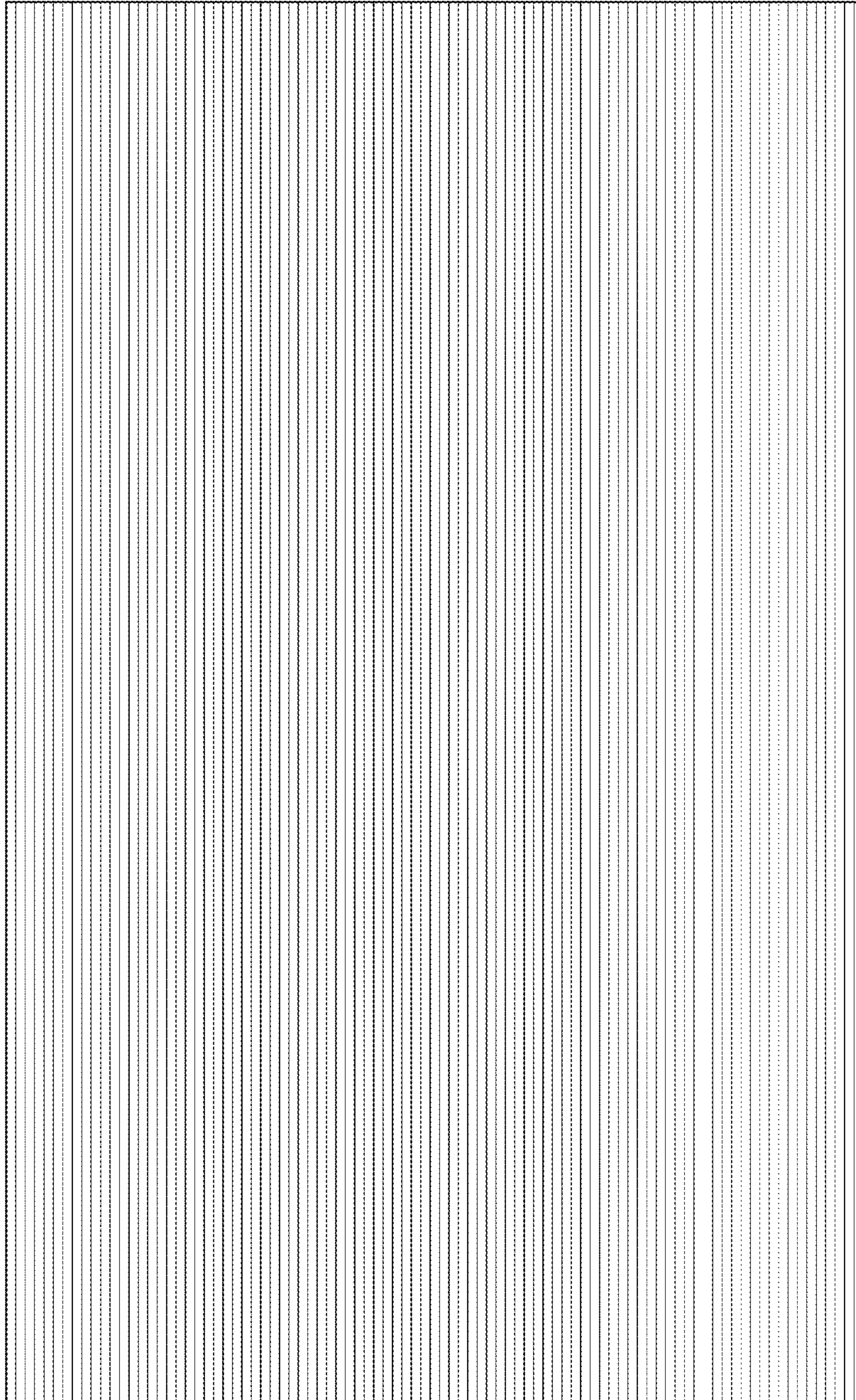


Fig. 4



Fig. 6



Fig. 5



Fig. 7



Fig. 8