



US00D724346S

(12) **United States Design Patent**
Lim et al.

(10) **Patent No.:** **US D724,346 S**
(45) **Date of Patent:** **** Mar. 17, 2015**

- (54) **INVERTED BOTTLE HOLDER**
- (71) Applicants: **Linda Lim**, San Francisco, CA (US);
John W. Lai, San Bruno, CA (US)
- (72) Inventors: **Linda Lim**, San Francisco, CA (US);
John W. Lai, San Bruno, CA (US)
- (73) Assignee: **Blasong Inc.**
- (**) Term: **14 Years**
- (21) Appl. No.: **29/463,098**
- (22) Filed: **Jul. 25, 2013**
- (51) **LOC (10) Cl.** **06-04**
- (52) **U.S. Cl.**
USPC **D6/553; D8/373**
- (58) **Field of Classification Search**
USPC D6/542-545, 553, 567, 574, 515-526;
206/77.1; 211/13.1, 86.01, 87.01;
221/14, 92, 649, 146.1, 146.2, 105;
222/281-282; D23/225; D8/349, 354,
D8/363, 373, 394; D24/155; D19/81
See application file for complete search history.

D231,947 S *	6/1974	Weber	D6/553
D300,891 S *	5/1989	Roland	D6/567
D344,876 S *	3/1994	Vandergon	D6/567
D354,188 S *	1/1995	Koehler	D6/553
D362,780 S	10/1995	Hampshire		
5,971,192 A	10/1999	Hampshire		
D452,099 S *	12/2001	Poitras et al.	D6/545
D483,587 S	12/2003	Snell		
6,886,792 B2	5/2005	Zimmerman		
D620,982 S *	8/2010	Parshad	D19/81
8,225,946 B2	7/2012	Sandor		
2001/0020621 A1	9/2001	Immerman		

* cited by examiner

Primary Examiner — Brian N Vinson

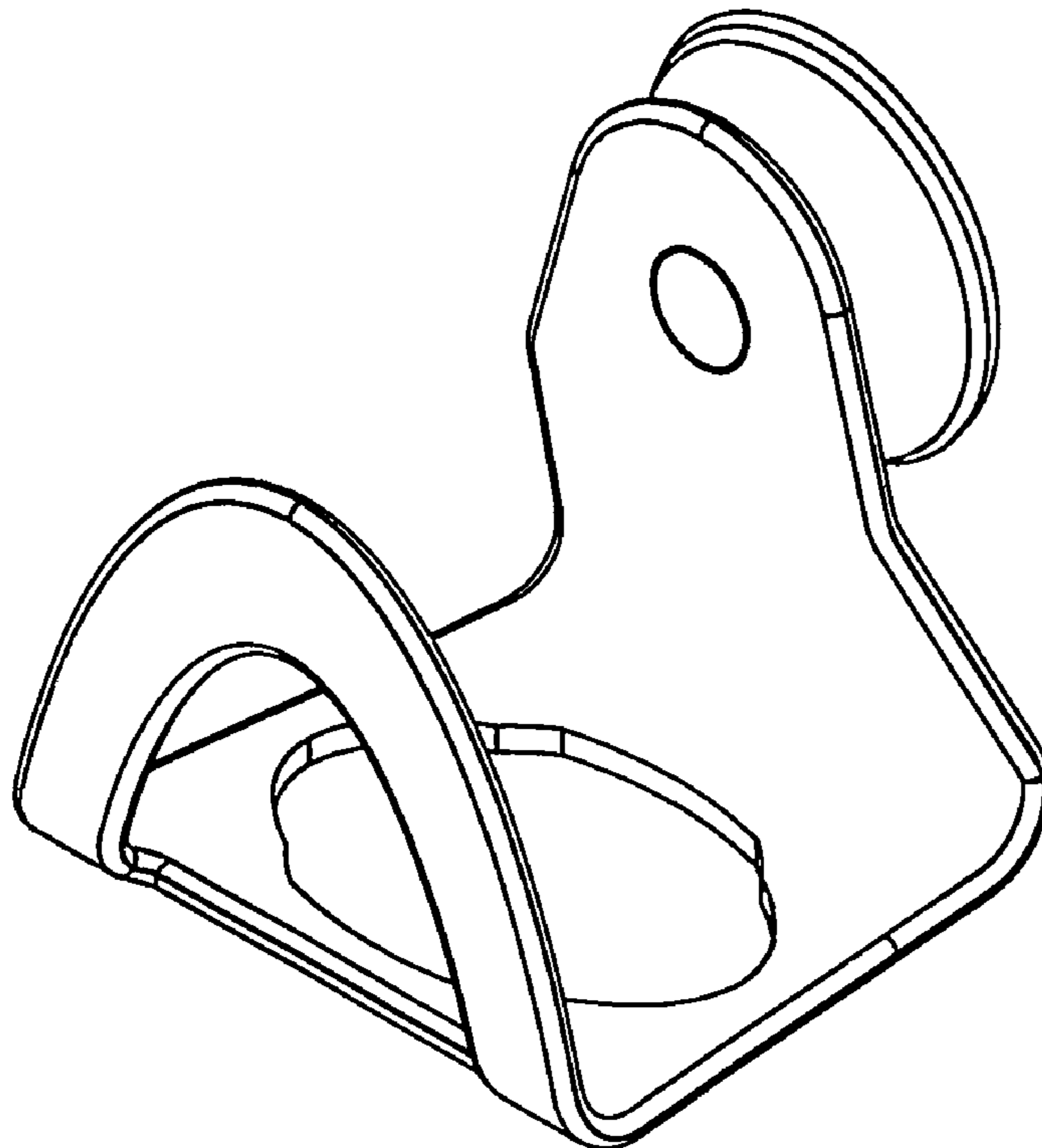
(57) **CLAIM**
The ornamental design for an inverted bottle holder, as shown and described.

DESCRIPTION

FIG. 1 is a front, right side perspective view of an inverted bottle holder showing our new design;
FIG. 2 is a front view thereof;
FIG. 3 is a back view thereof;
FIG. 4 is a right side view thereof;
FIG. 5 is a left side view thereof;
FIG. 6 is a top plan view thereof;
FIG. 7 is a bottom plan view thereof; and,
FIG. 8 is an exploded front and right side perspective view thereof.

1 Claim, 4 Drawing Sheets

- (56) **References Cited**
U.S. PATENT DOCUMENTS
2,252,260 A * 8/1941 Jones 248/311.2
D191,715 S * 11/1961 Lugowski D6/553



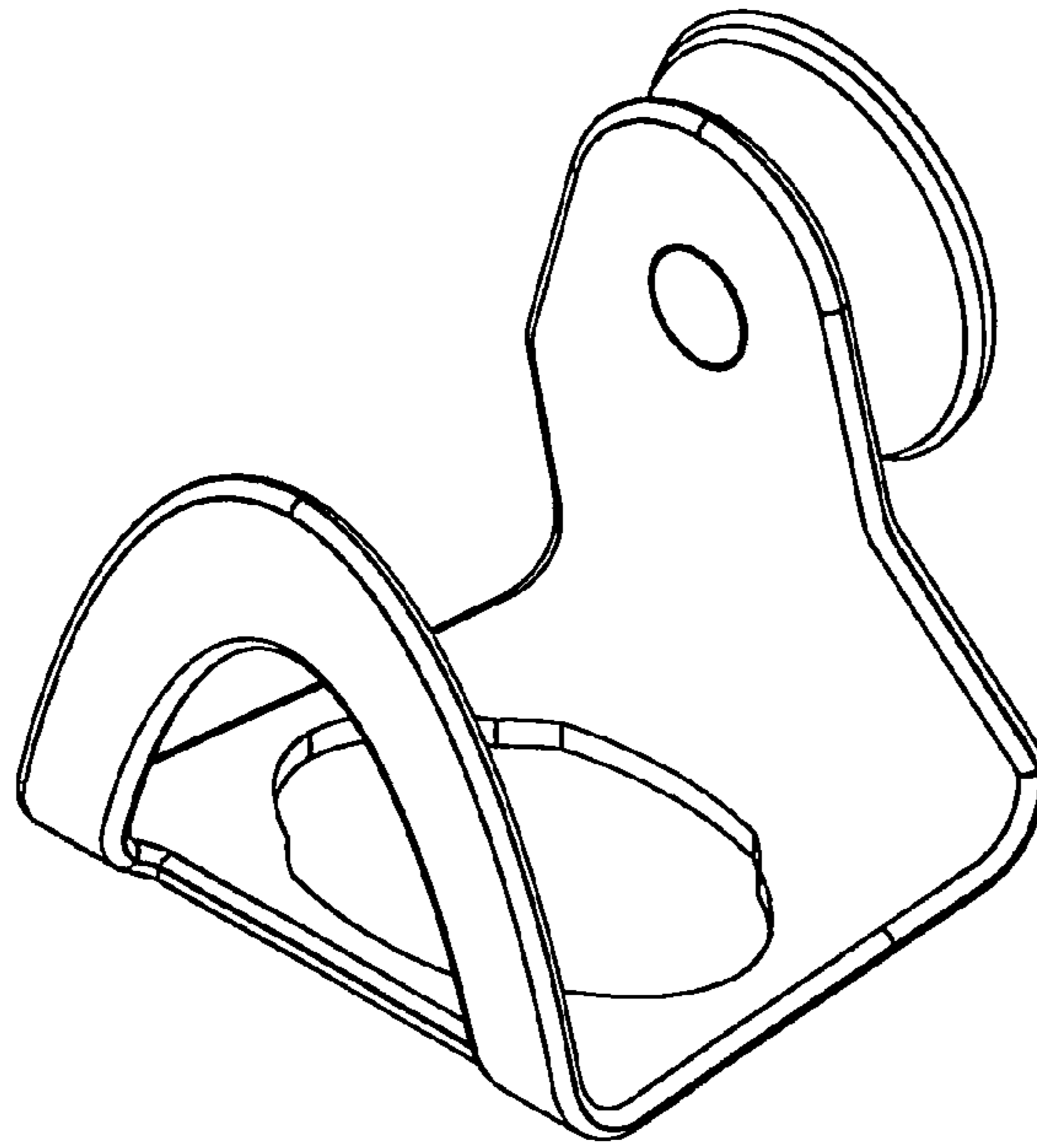


Fig 1

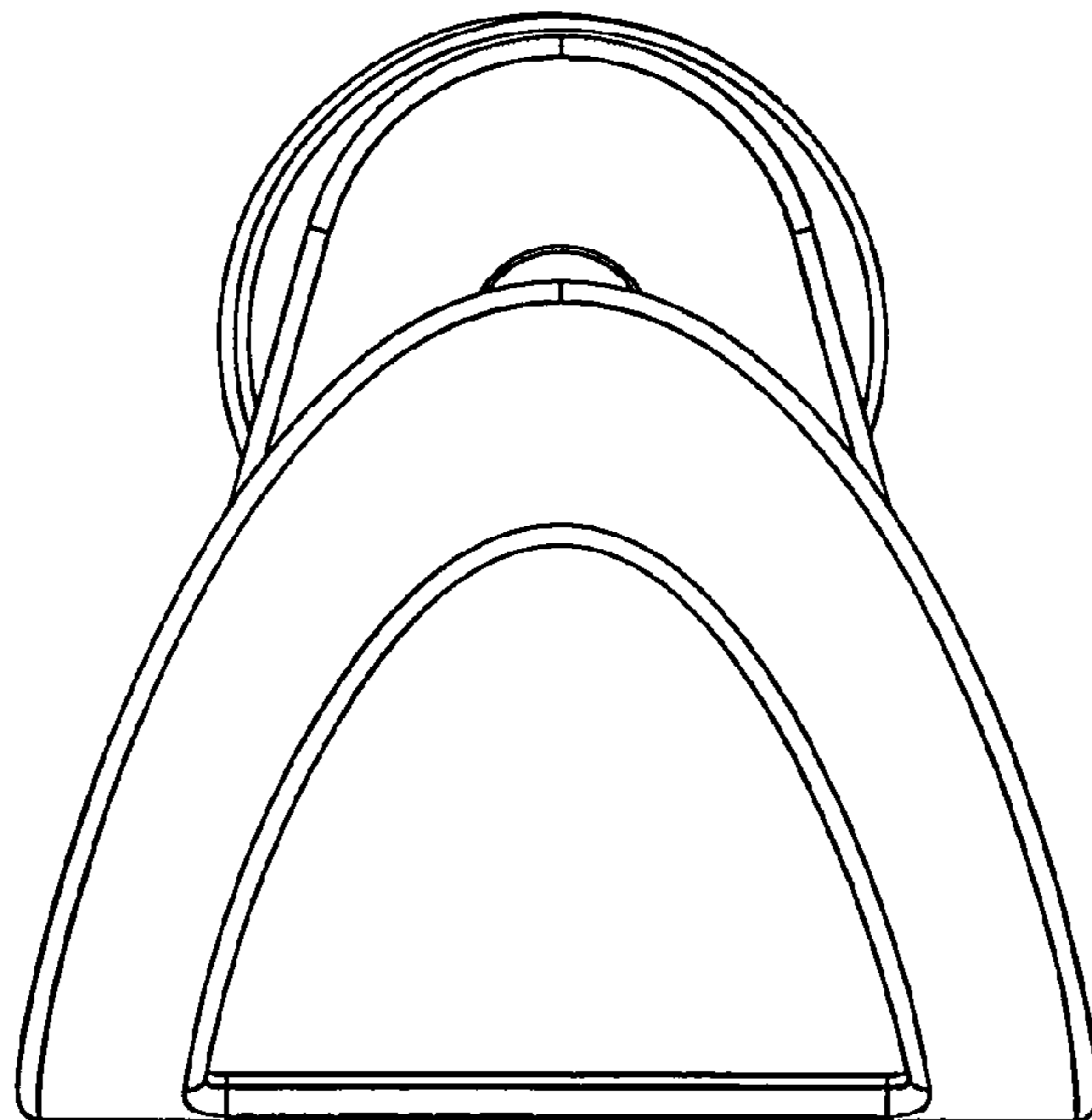


Fig 2

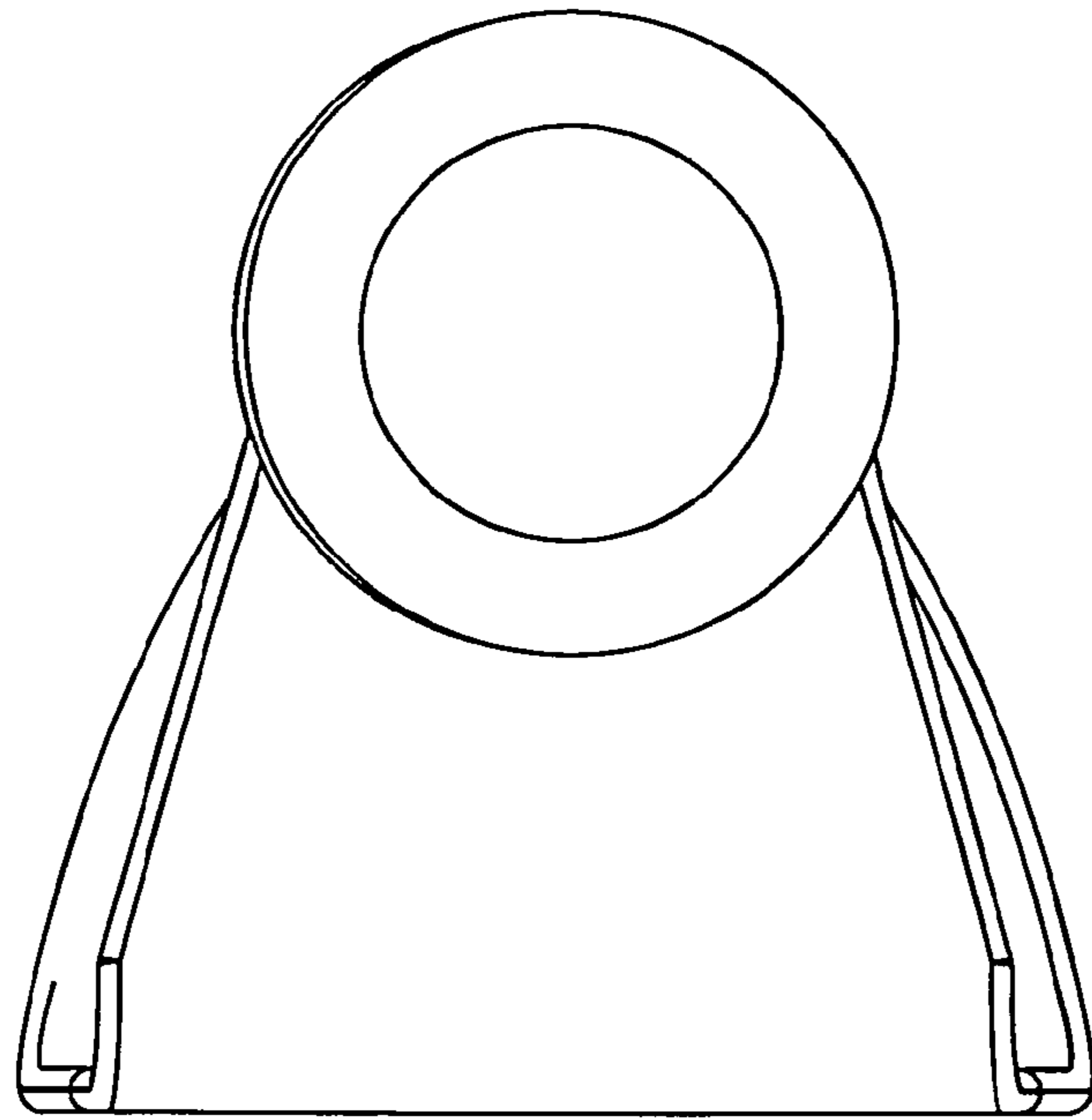


Fig 3

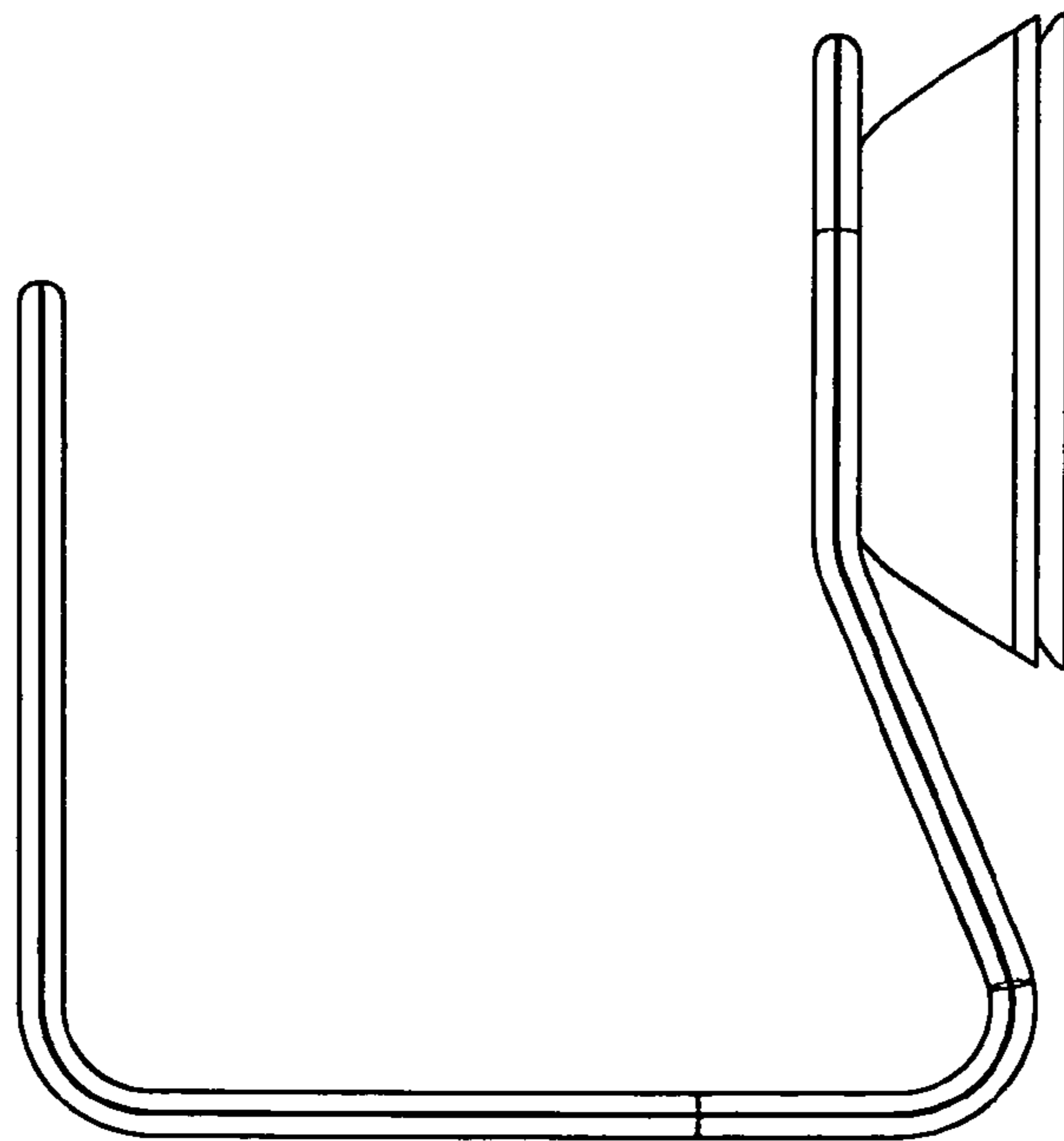


Fig 4

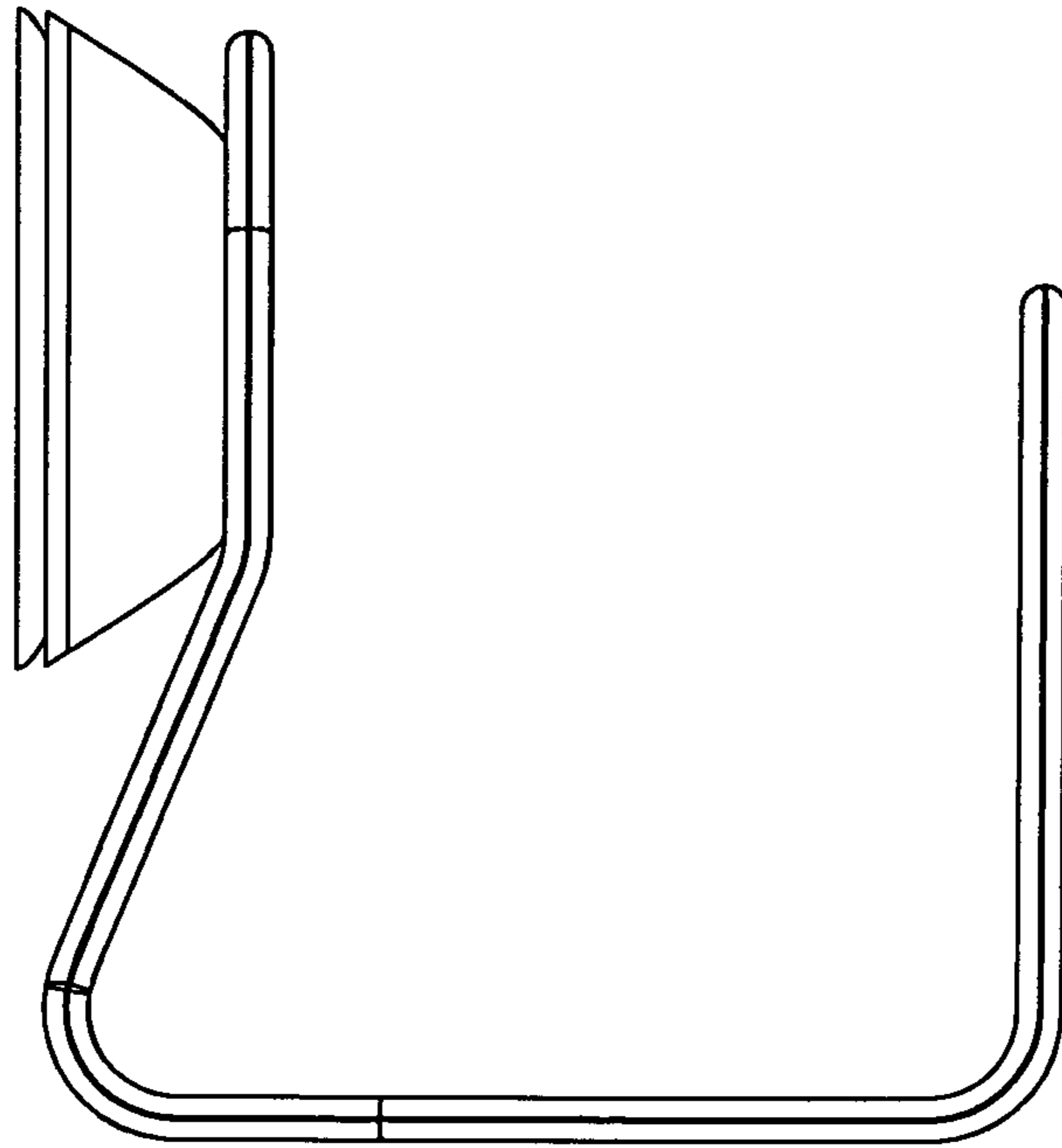


Fig 5

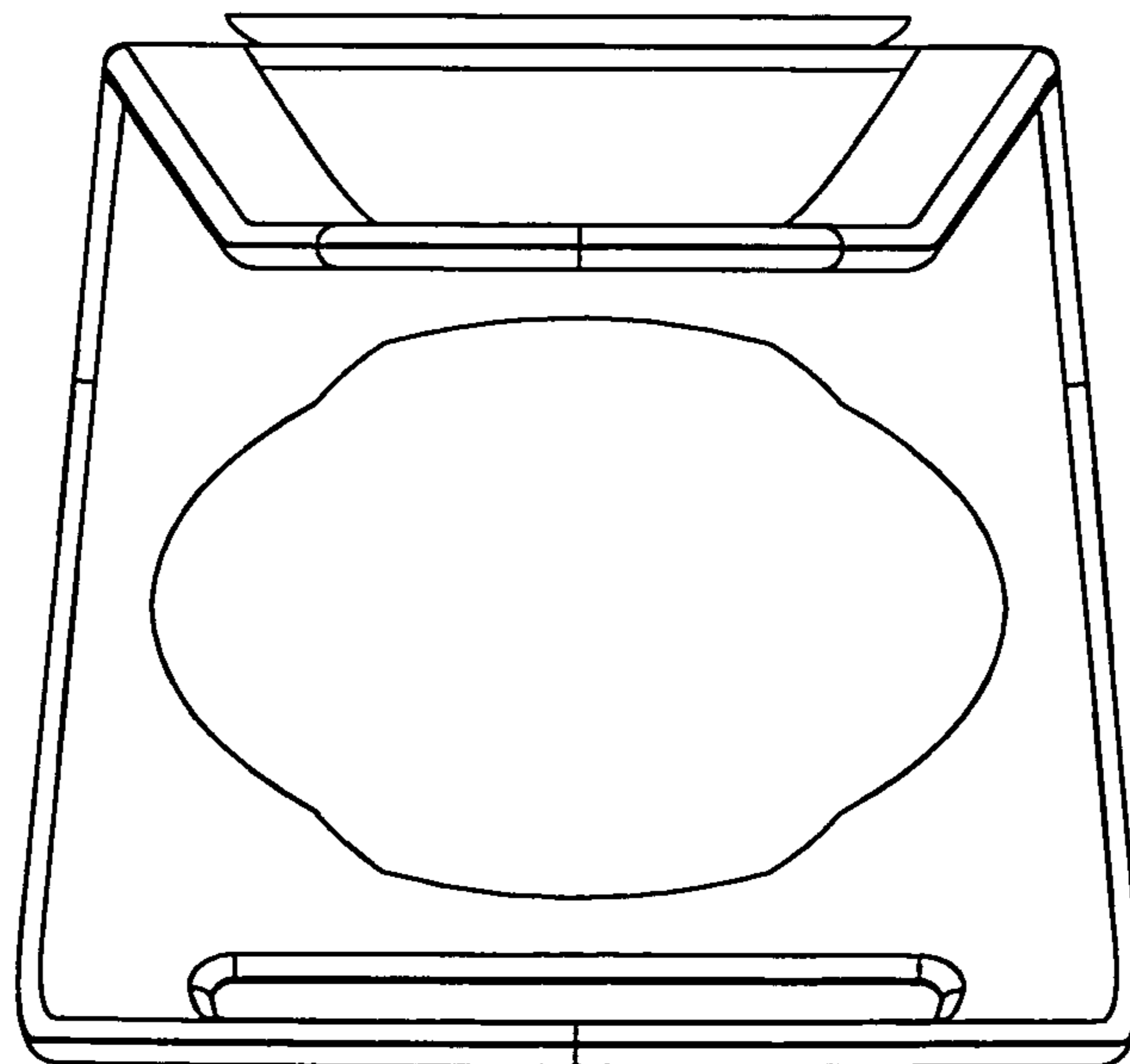


Fig 6

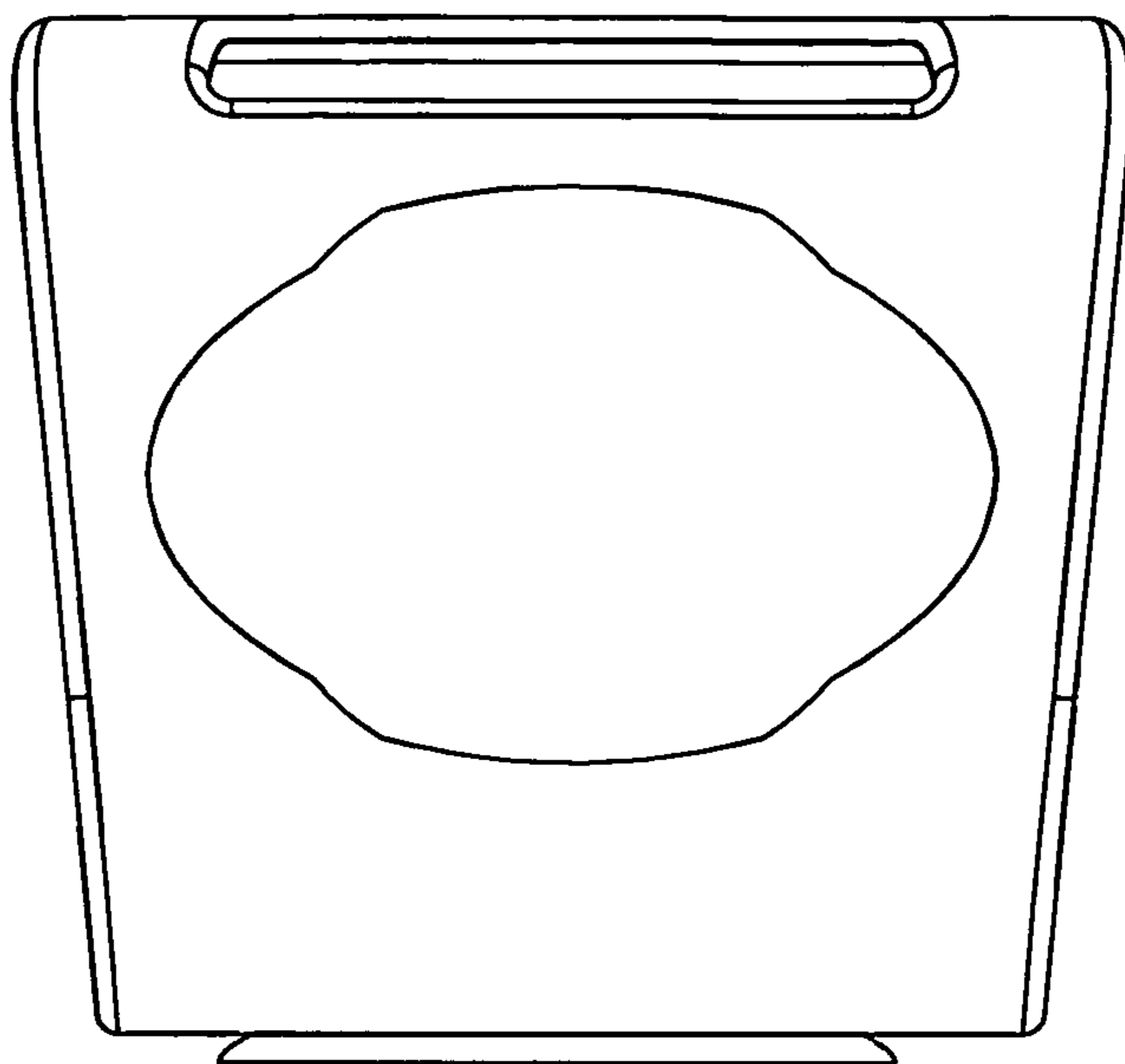


Fig 7

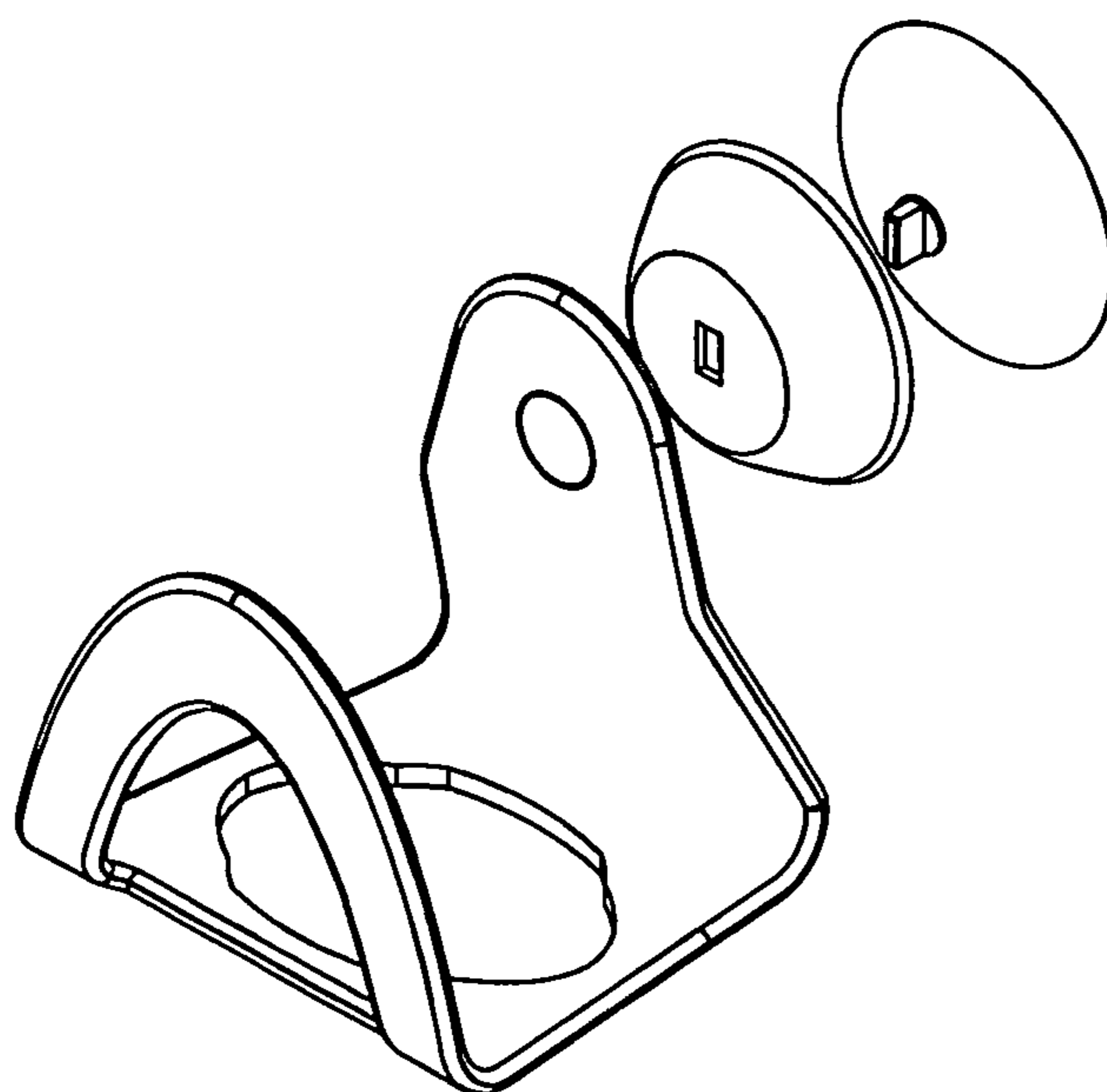


Fig 8