



US00D724344S

(12) **United States Design Patent**  
**Renzelman**

(10) **Patent No.:** **US D724,344 S**  
(45) **Date of Patent:** **\*\* Mar. 17, 2015**

(54) **PAPER TOWEL DISPENSER**

(71) Applicant: **Douglas C. Renzelman**, Elkhart Lake,  
WI (US)

(72) Inventor: **Douglas C. Renzelman**, Elkhart Lake,  
WI (US)

(\*\*) Term: **14 Years**

(21) Appl. No.: **29/437,655**

(22) Filed: **Nov. 20, 2012**

(51) **LOC (10) Cl.** ..... **20-02**

(52) **U.S. Cl.**  
USPC ..... **D6/518**

(58) **Field of Classification Search**  
USPC ..... D6/518-524, 546-550; 108/28-29;  
211/13.1, 16, 60.1, 86.01, 87.01,  
211/88.01, 88.04, 100, 105.1, 105.2, 123,  
211/181.1, 182; 248/175, 176.1, 251, 302;  
16/110.1, 415; 242/570, 590, 595-598;  
D8/300, 303, 315-321; 220/216

See application file for complete search history.

(56) **References Cited**

**U.S. PATENT DOCUMENTS**

3,429,474 A	2/1969	Roosevelt
3,843,071 A	10/1974	Graham
4,825,779 A	5/1989	Simms
5,040,679 A	8/1991	Rehmann

D327,799 S *	7/1992	Addison et al.	D6/523
D379,044 S *	5/1997	Collins	D6/523
D389,350 S *	1/1998	Davis et al.	D6/520
D396,370 S *	7/1998	Romero	D6/523
6,161,796 A	12/2000	Daniels	
D458,785 S *	6/2002	Ong	D6/518
D478,753 S	8/2003	Hall	
D523,673 S	6/2006	Nida	
D540,589 S	4/2007	Farias	
D576,826 S *	9/2008	Godfrey	D6/523
D624,769 S *	10/2010	Pierre-Louis	D6/520
D634,954 S *	3/2011	Montoya	D6/523
D658,413 S *	5/2012	Renzelman	D6/520
D658,414 S *	5/2012	Renzelman	D6/523
2006/0231438 A1	10/2006	Anderson	

\* cited by examiner

*Primary Examiner* — Brian N Vinson

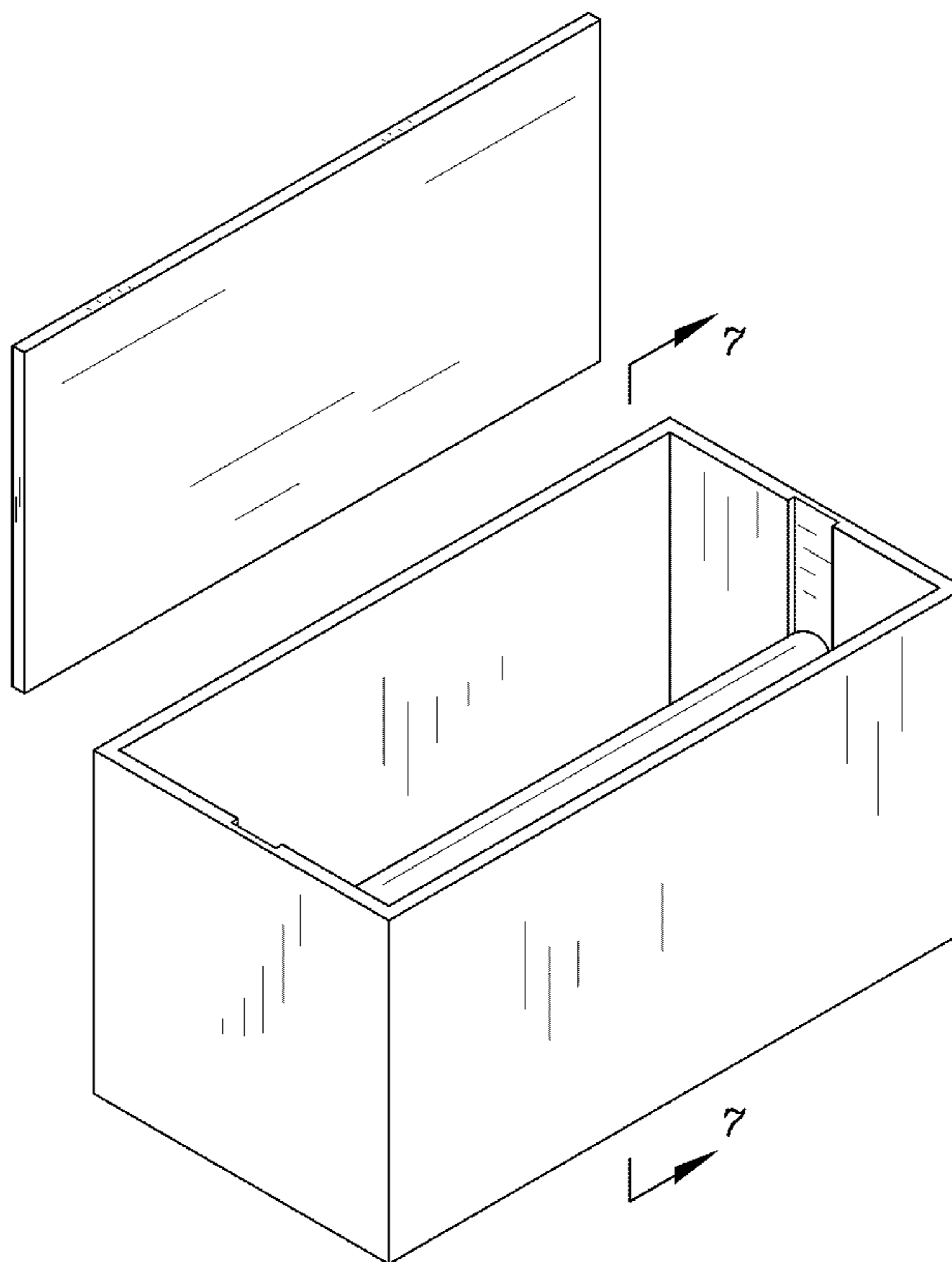
(57) **CLAIM**

I claim the ornamental design for the paper towel dispenser, as shown and described.

**DESCRIPTION**

FIG. 1 is a front view of the paper towel dispenser;  
FIG. 2 is a side view of the claimed design;  
FIG. 3 is a top of the claimed design;  
FIG. 4 is a bottom view of the claimed design;  
FIG. 5 is a top, perspective view of the claimed design; and,  
FIG. 6 is a bottom, perspective view of the claimed design.

**1 Claim, 7 Drawing Sheets**



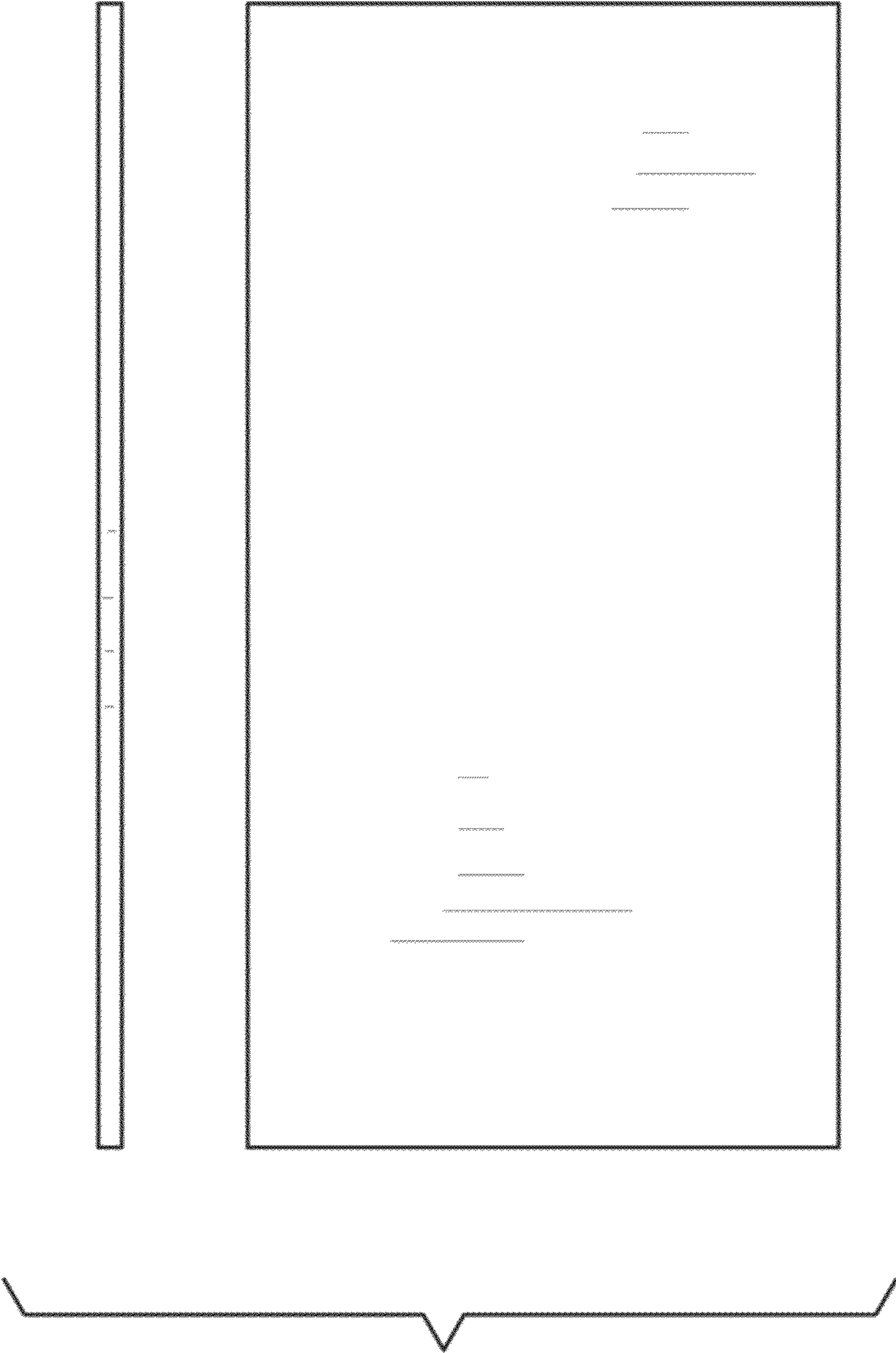


FIG. 1

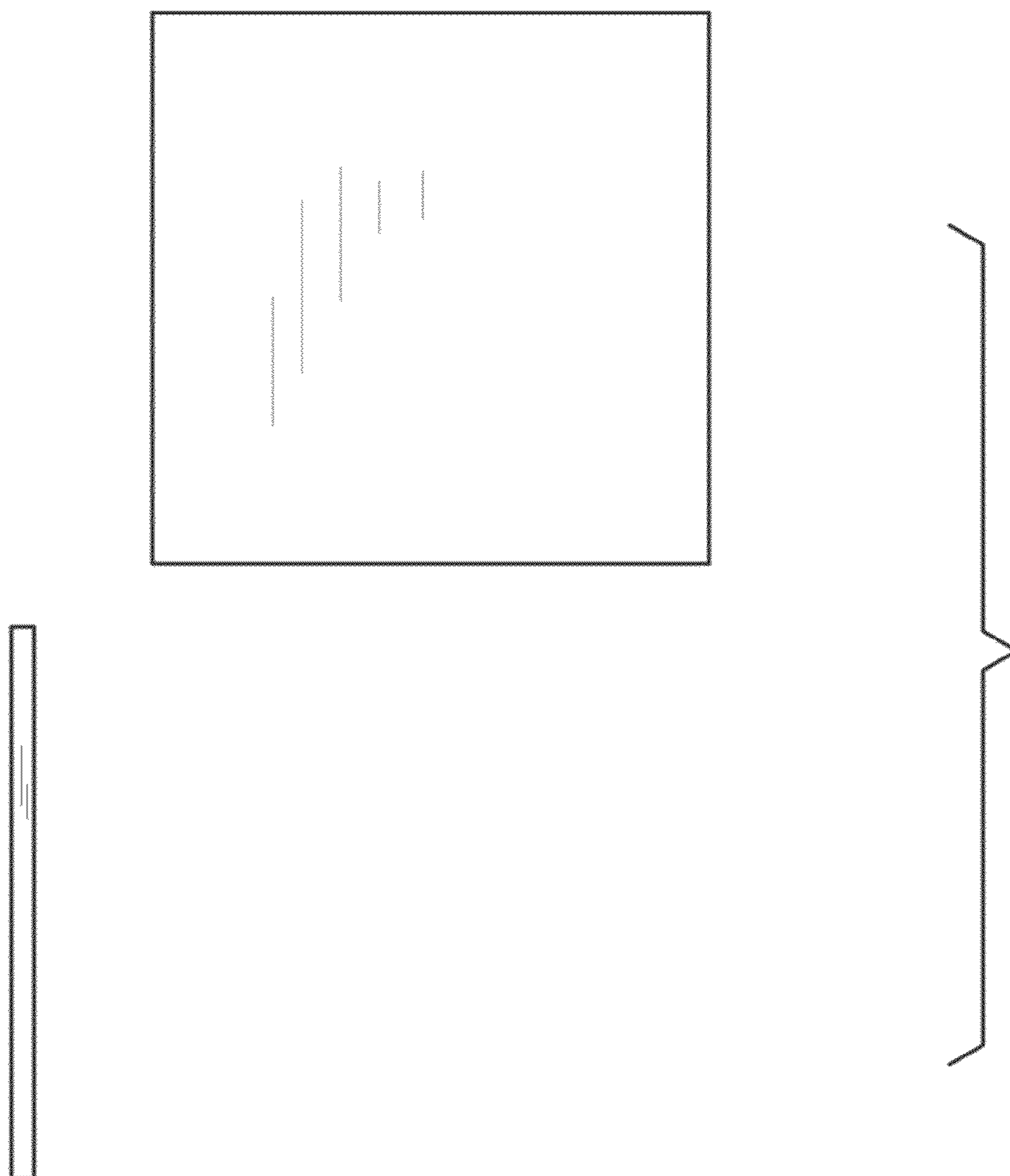


FIG. 2

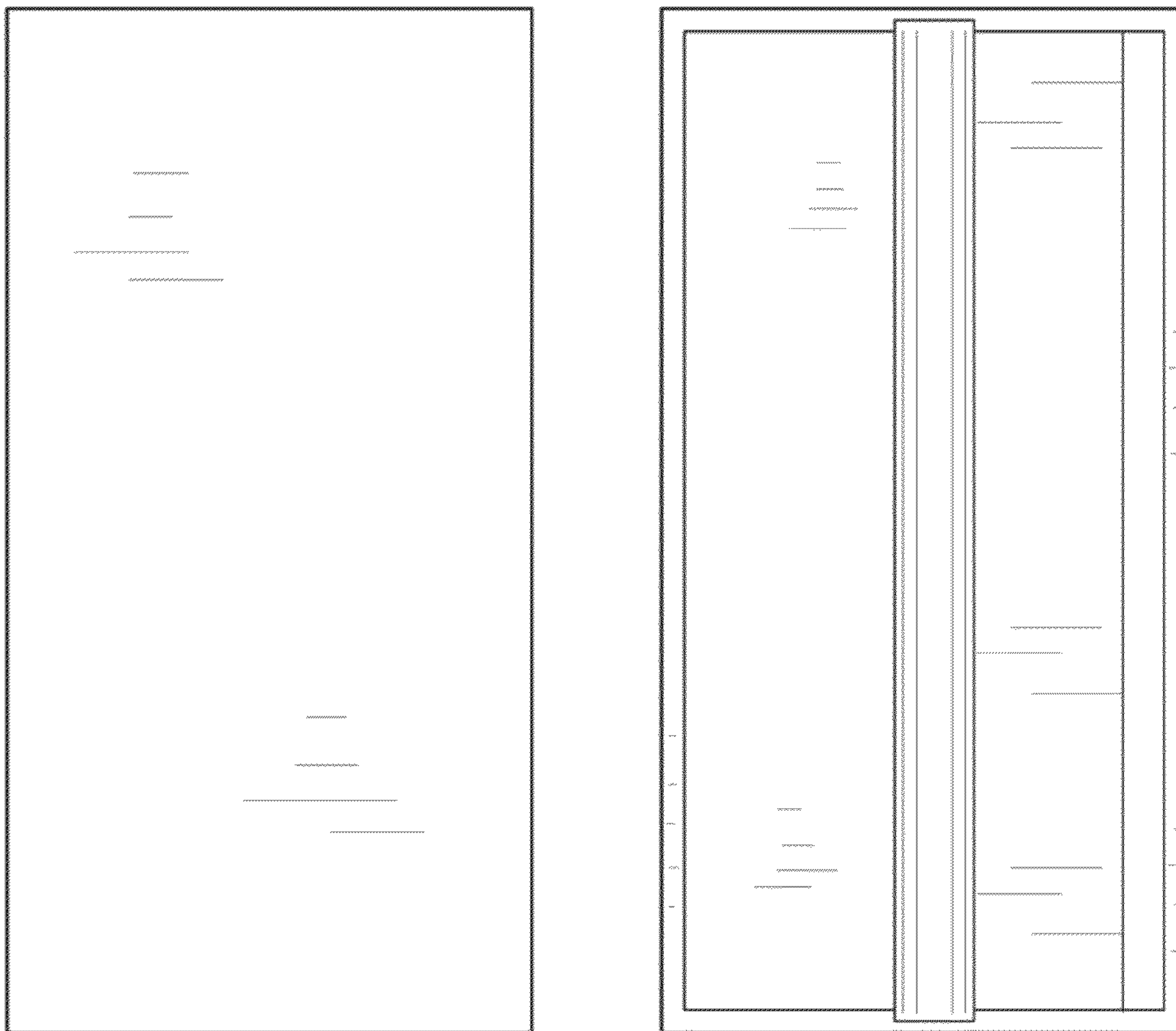
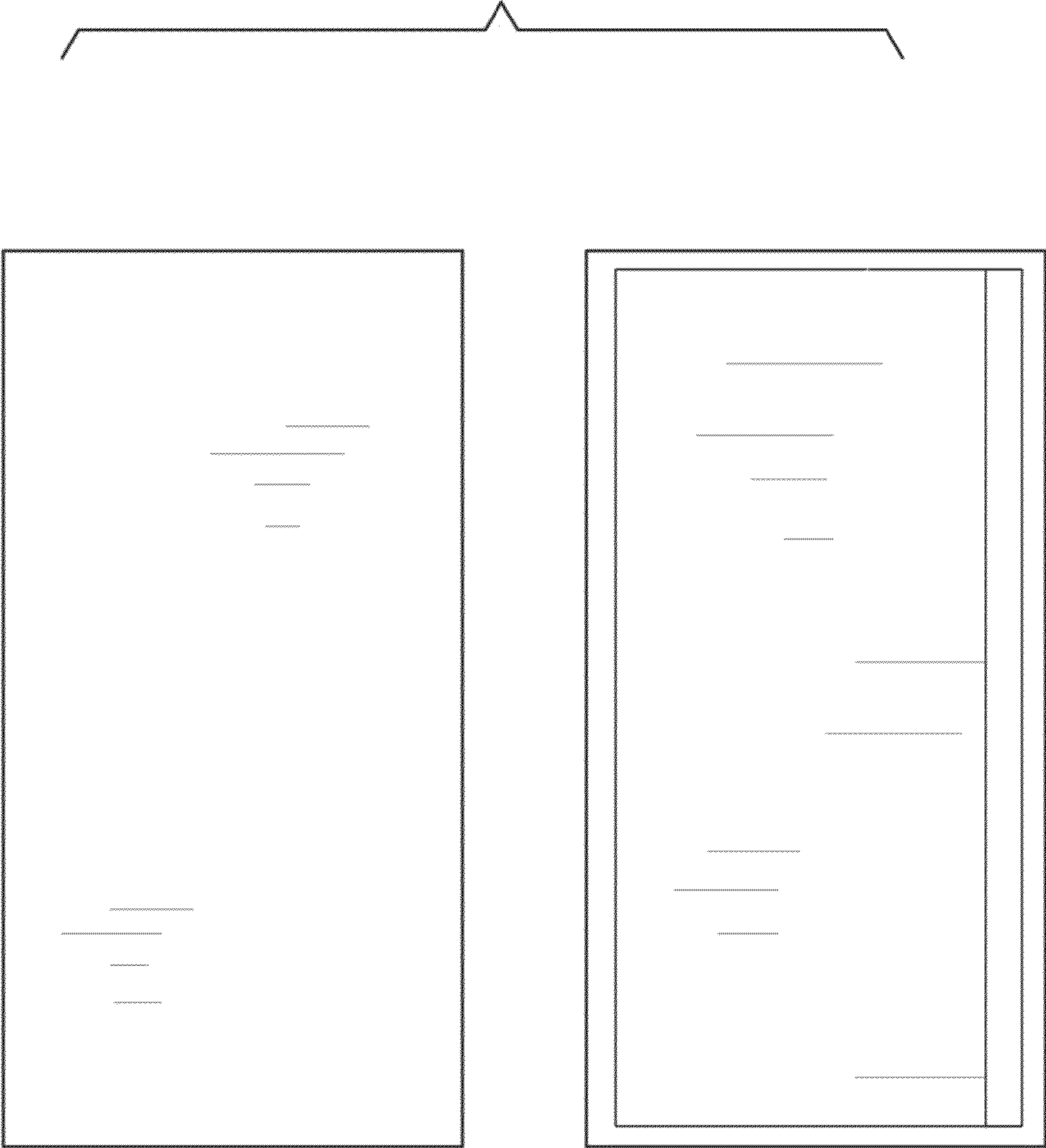
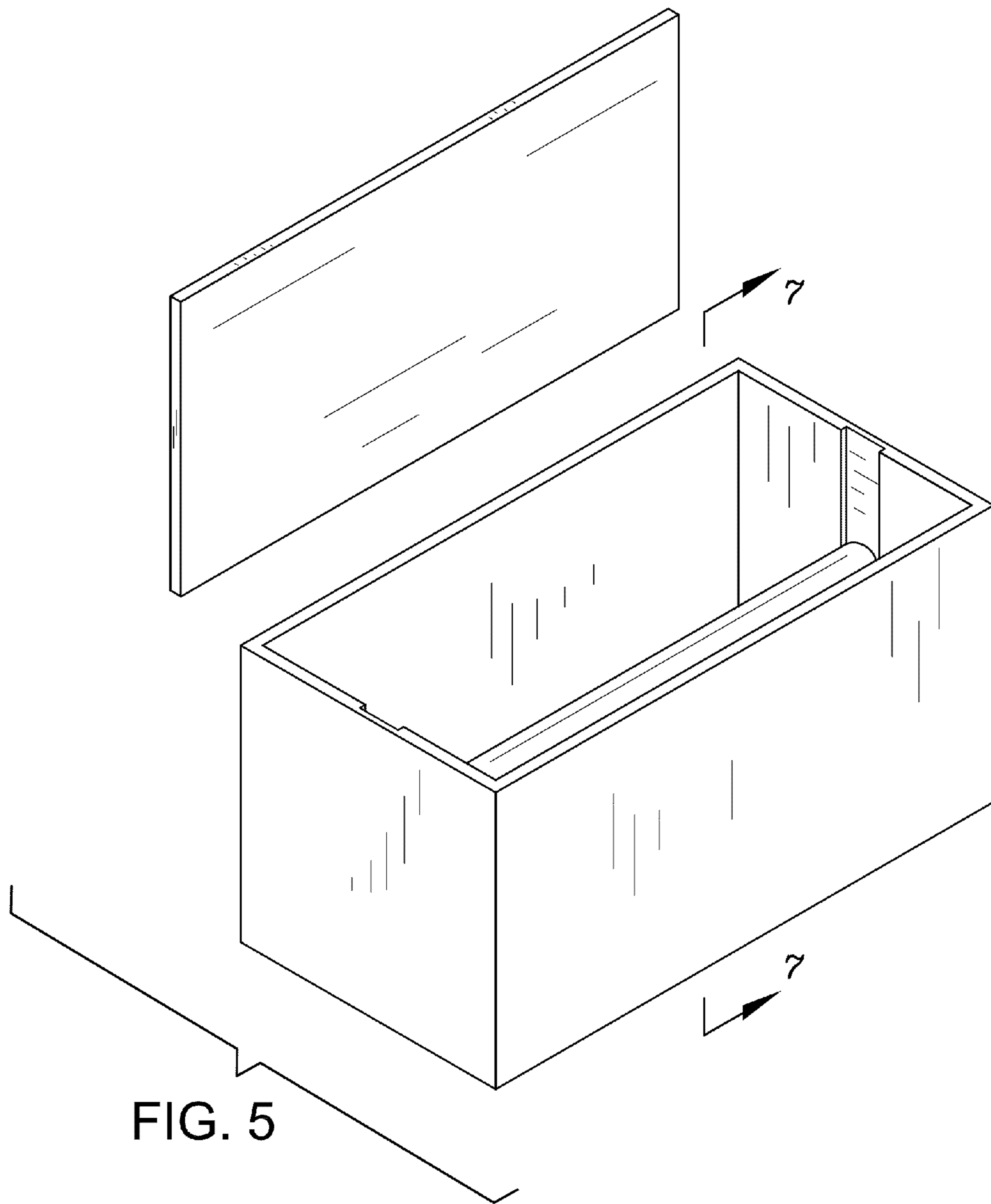


FIG. 3

FIG. 4





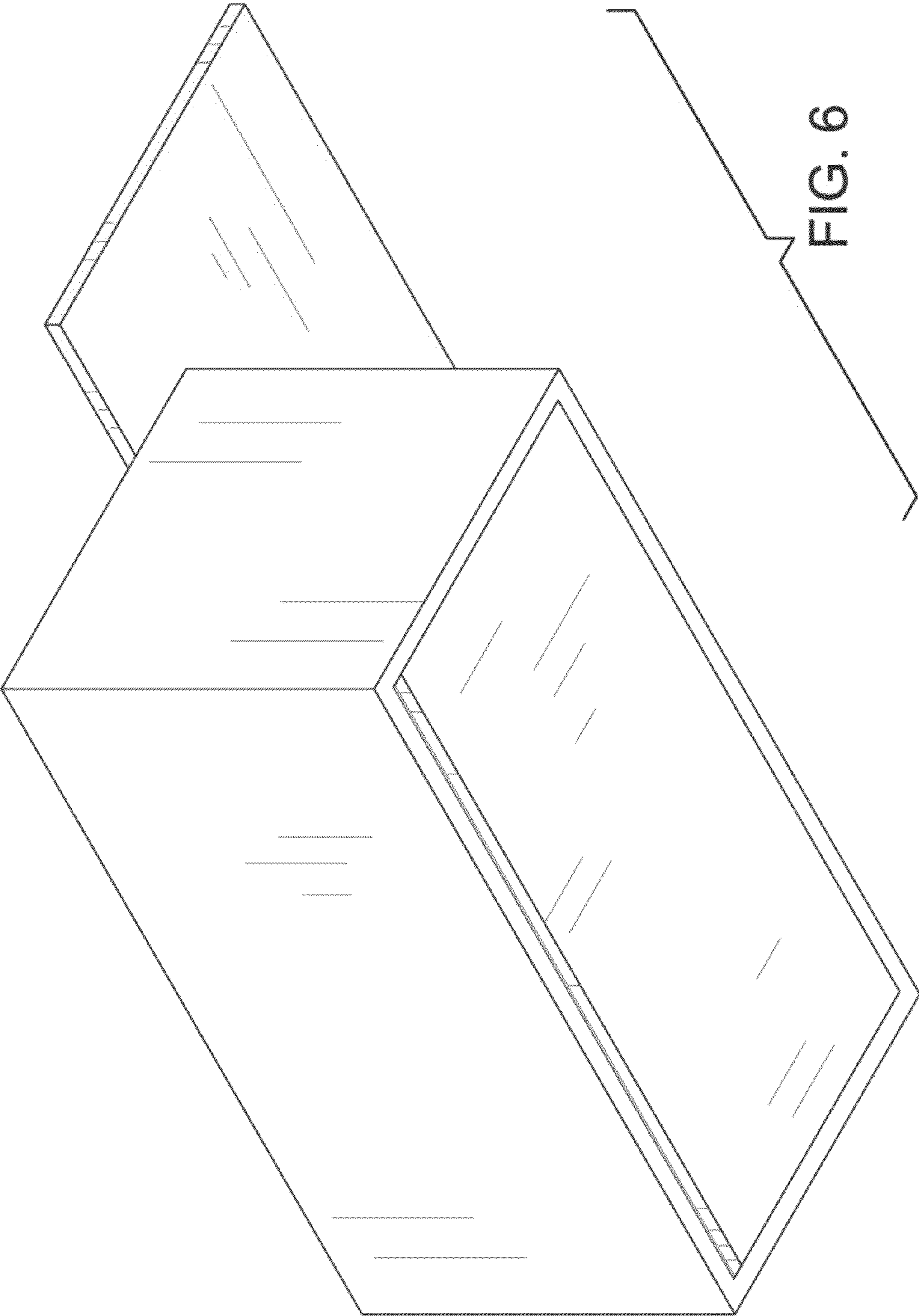


FIG. 6

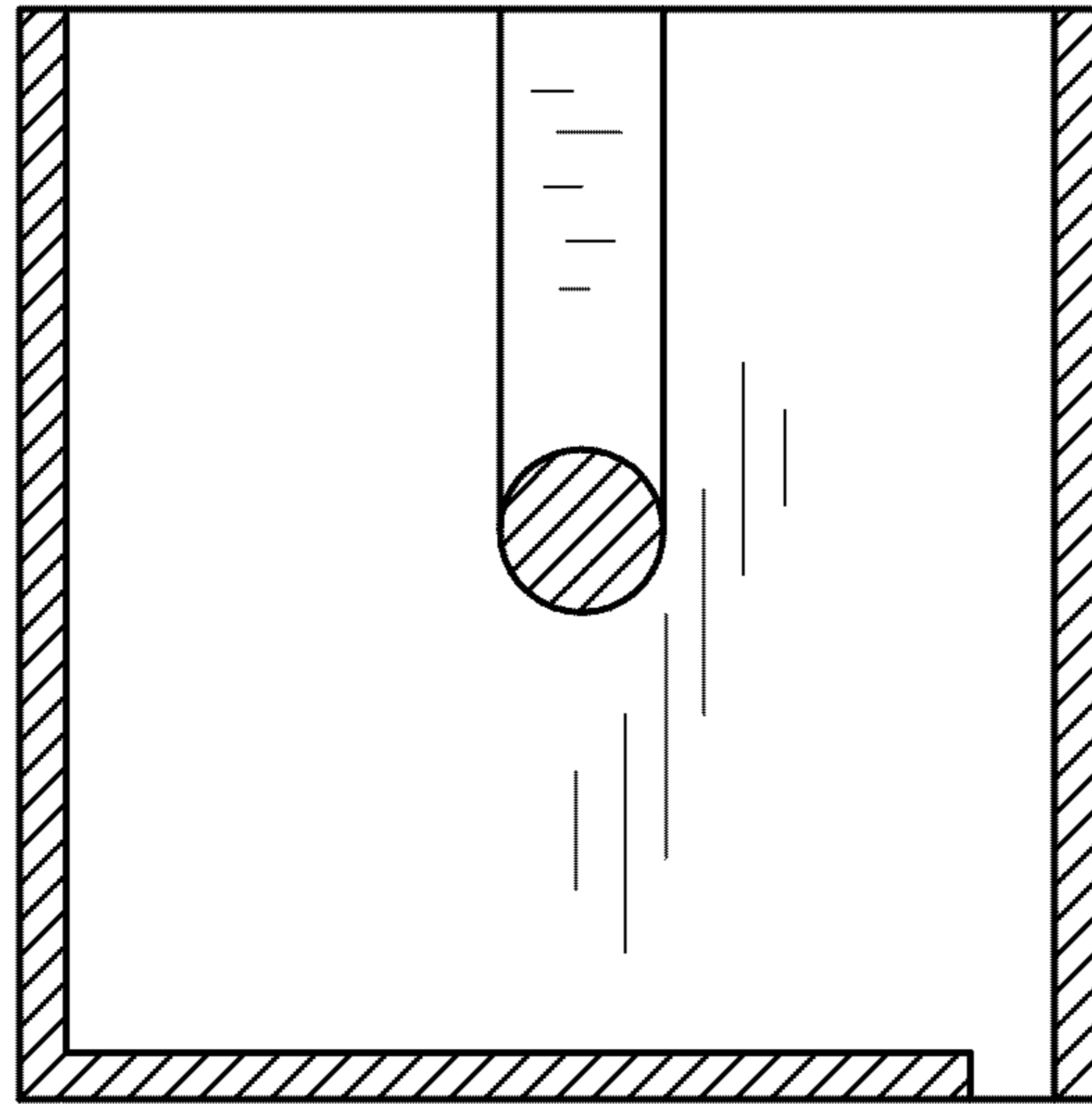


FIG. 7