

US00D724342S

(12) **United States Design Patent**
Pesso

(10) **Patent No.:** **US D724,342 S**
(45) **Date of Patent:** **** Mar. 17, 2015**

(54) **CHAIR**

(56) **References Cited**

(71) Applicant: **David Allan Pesso**, Boca Raton, FL
(US)

(72) Inventor: **David Allan Pesso**, Boca Raton, FL
(US)

(73) Assignee: **Beaufurn, LLC**, Advance, NC (US)

(**) Term: **14 Years**

(21) Appl. No.: **29/436,697**

(22) Filed: **Nov. 8, 2012**

(51) **LOC (10) Cl.** **06-01**

(52) **U.S. Cl.**
USPC **D6/374; D6/380**

(58) **Field of Classification Search**
USPC D6/334-336, 360, 370, 374, 375, 376,
D6/379, 380, 716, 716.1, 716.2, 716.3,
D6/716.4; 297/183.7, 239, 445.1, 446.1,
297/446.2, 449.1, 452.2

See application file for complete search history.

U.S. PATENT DOCUMENTS

D352,185 S *	11/1994	Pagnon et al.	D6/380
D353,498 S *	12/1994	Cox	D6/380
D391,412 S *	3/1998	James et al.	D6/379
D429,911 S *	8/2000	Bartlmae	D6/380
D468,926 S *	1/2003	Bongaerts	D6/380
D498,071 S *	11/2004	Ashby et al.	D6/374
D502,331 S *	3/2005	Socha et al.	D6/374
D647,320 S *	10/2011	Young	D6/380
D673,787 S *	1/2013	Bartlmae	D6/380
D688,890 S *	9/2013	Pesso	D6/380
D691,824 S *	10/2013	Pesso	D6/380

* cited by examiner

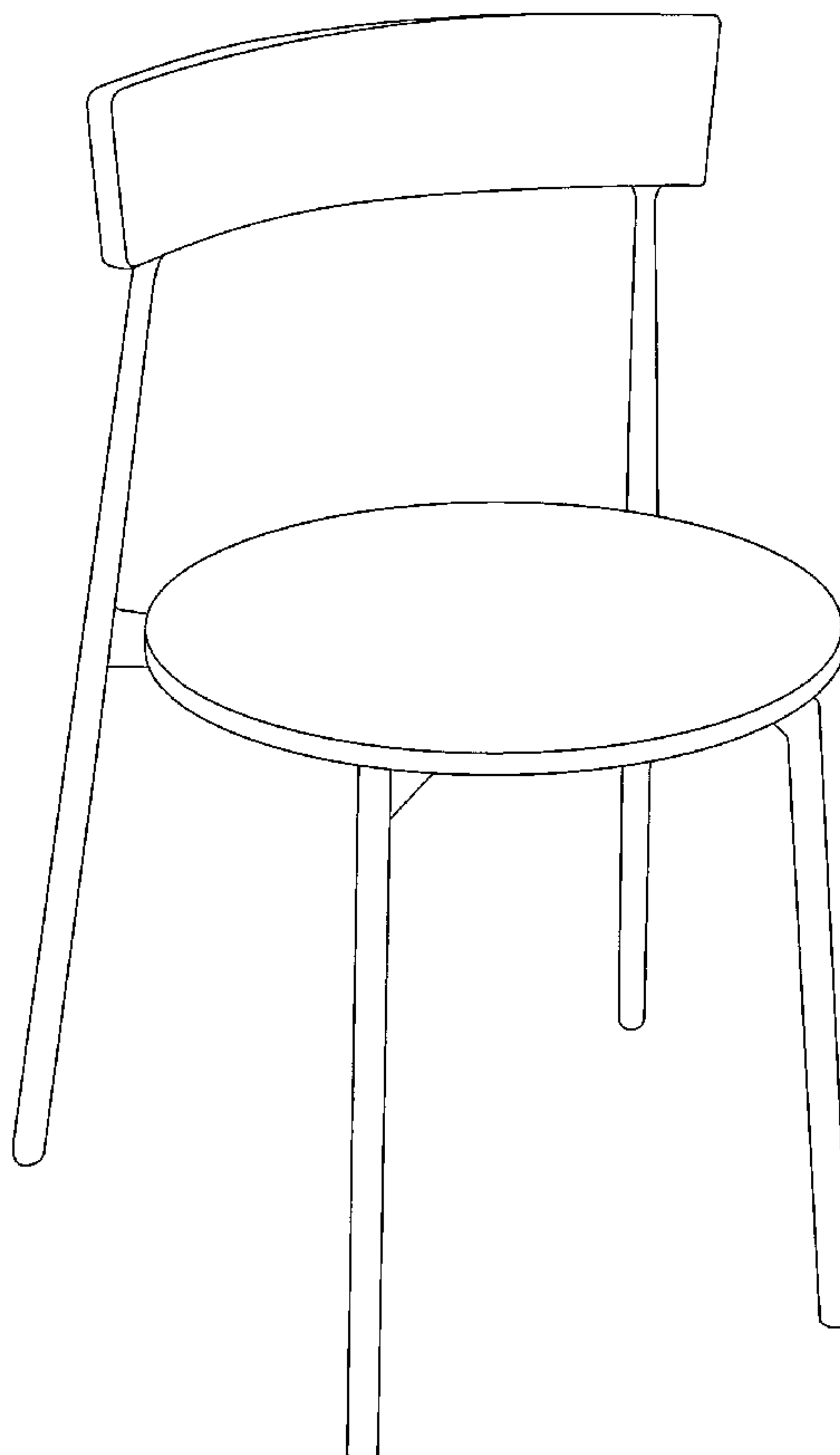
Primary Examiner — Mimoso De
(74) *Attorney, Agent, or Firm* — MacCord Mason PLLC

(57) **CLAIM**
The ornamental design for a chair, as shown and described.

DESCRIPTION

FIG. 1 is a front perspective view of a chair showing my new design;
FIG. 2 is a front view thereof;
FIG. 3 is a right side view, the opposite side being a mirror image thereof;
FIG. 4 is a back view thereof; and,
FIG. 5 is a top view thereof.

1 Claim, 5 Drawing Sheets



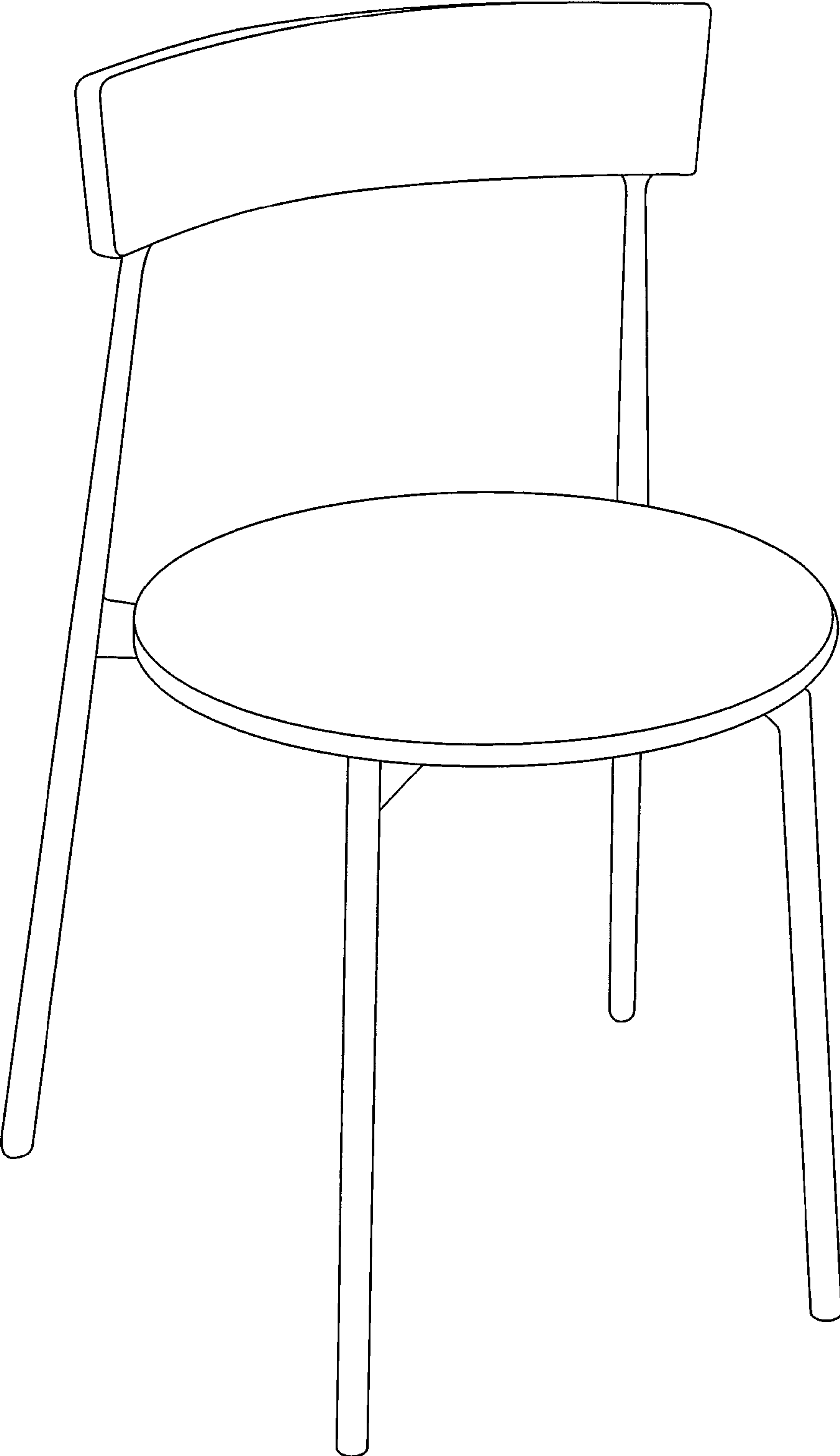


FIG. 1

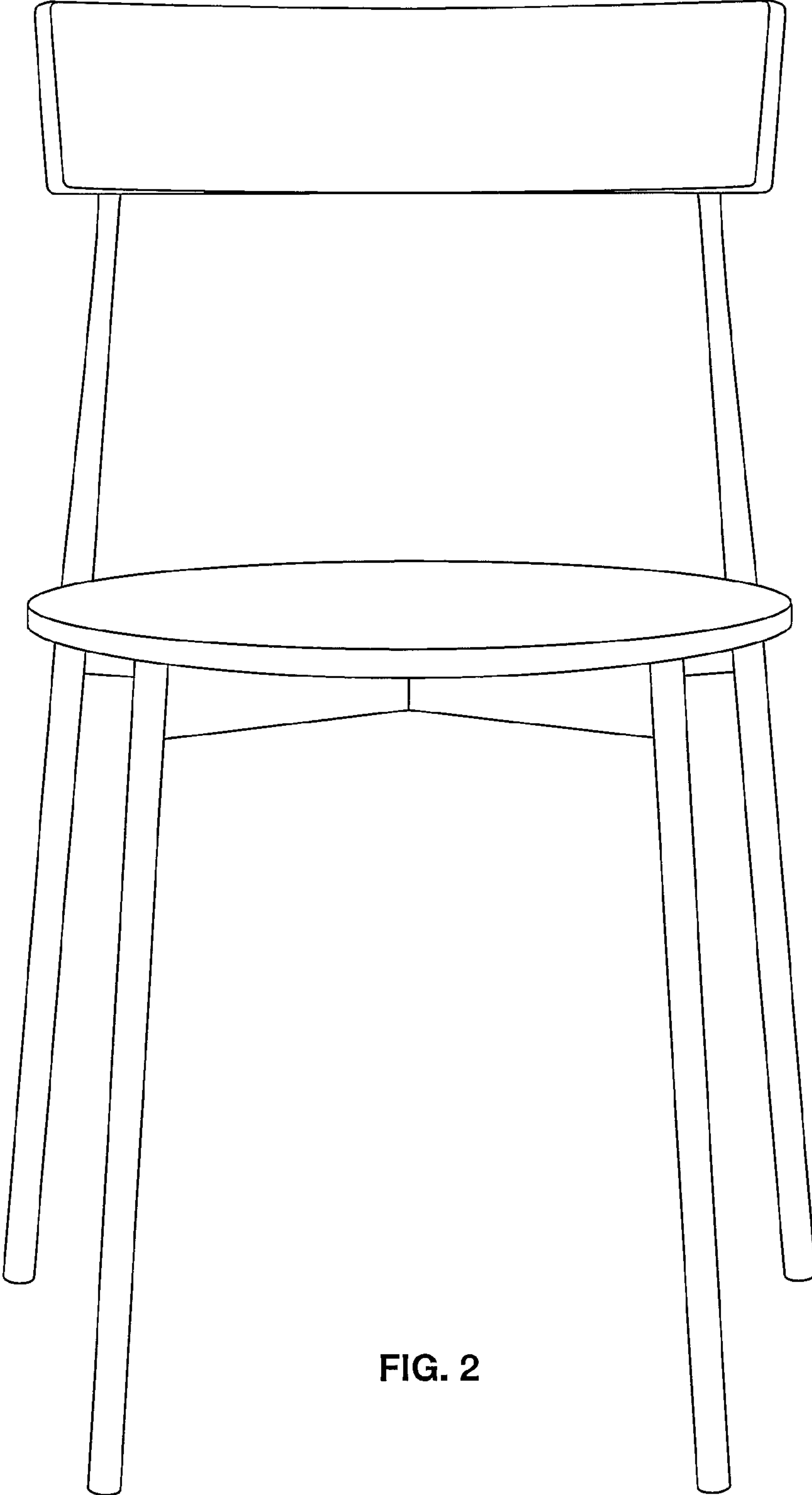


FIG. 2

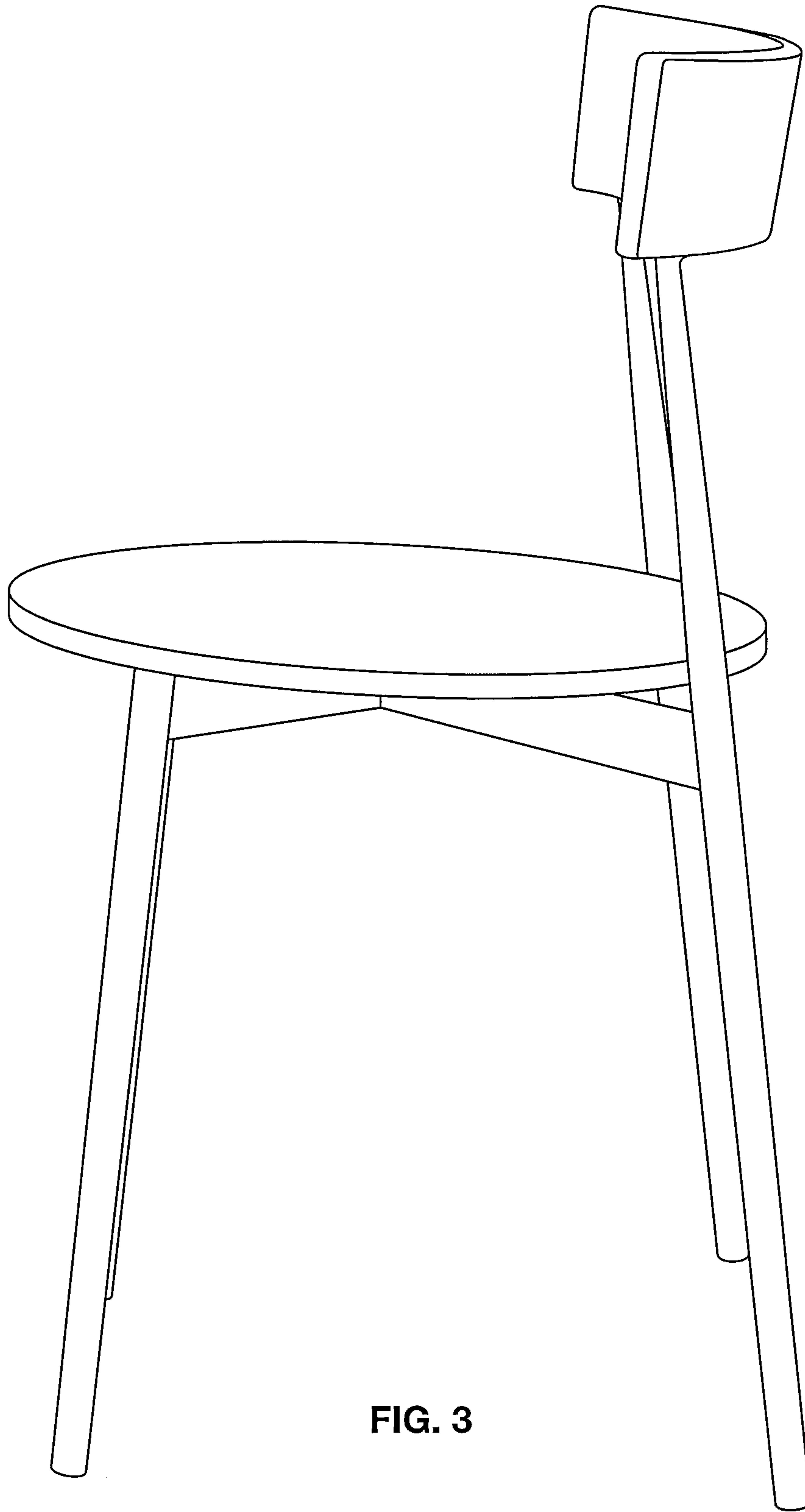


FIG. 3

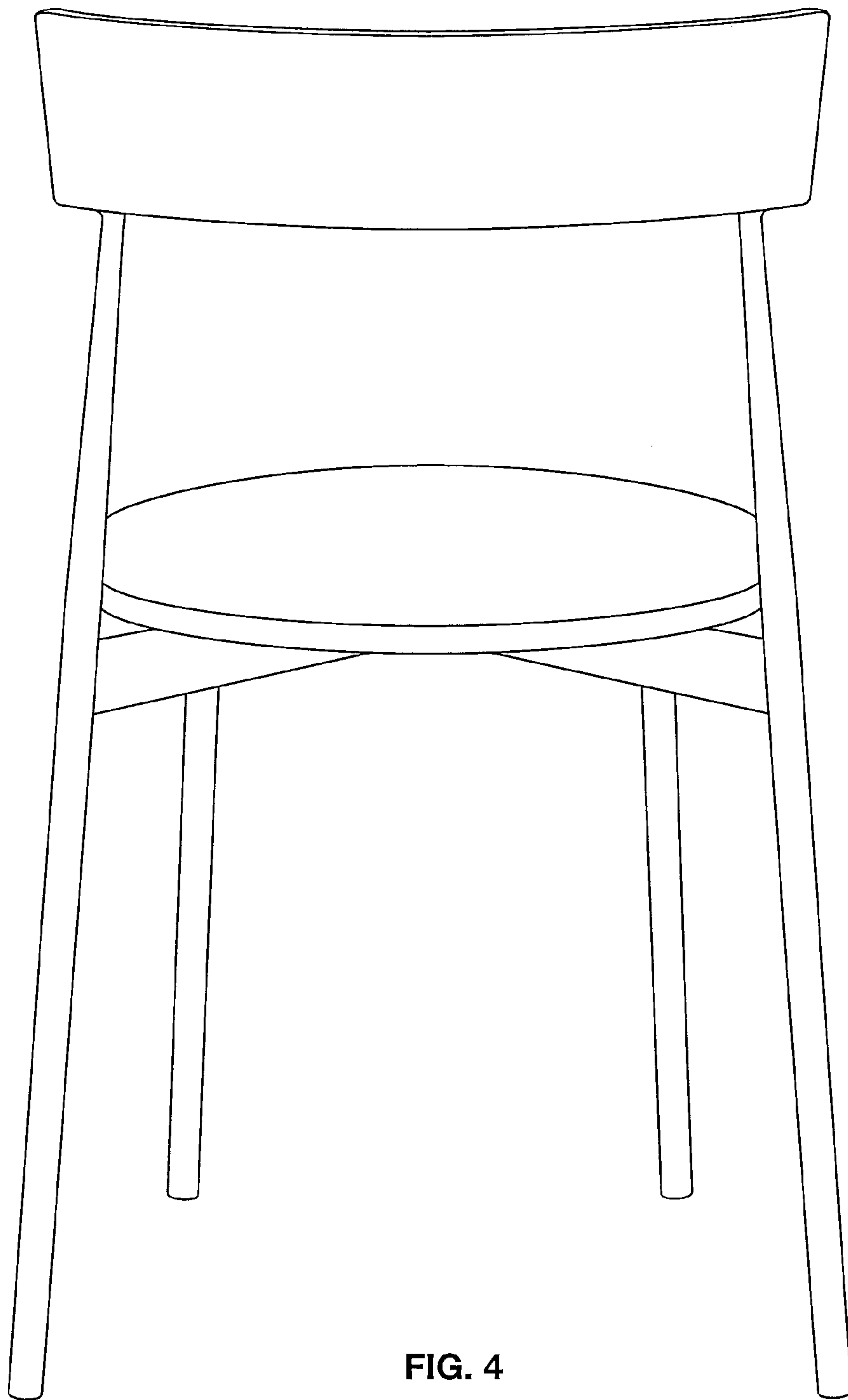


FIG. 4

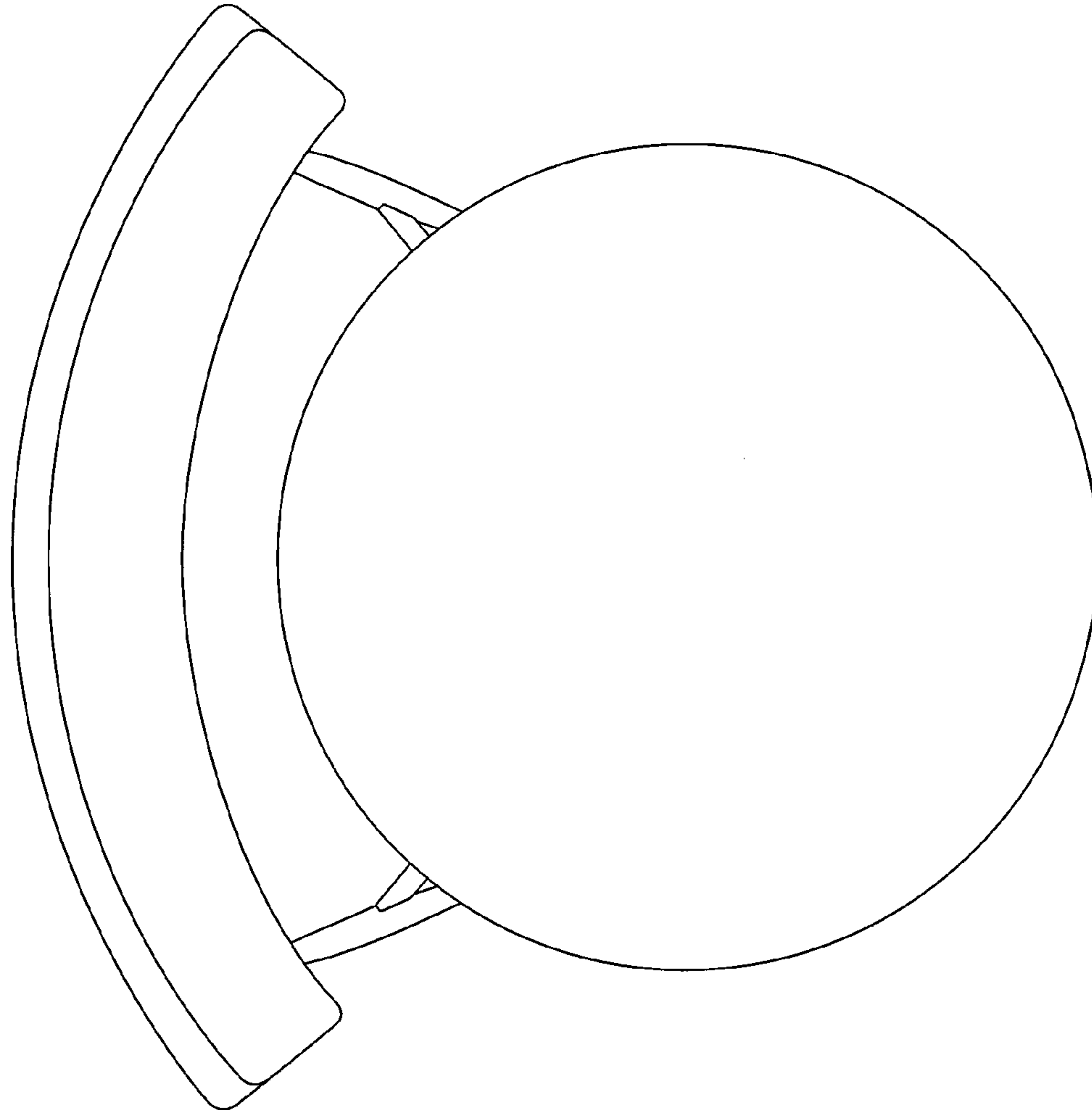


FIG. 5