



US00D724341S

(12) **United States Design Patent**
Milà Valcárcel et al.

(10) **Patent No.:** **US D724,341 S**
(45) **Date of Patent:** **** *Mar. 17, 2015**

- (54) **BENCH**
- (71) Applicant: **Santa & Cole Neoseries S.L.**, Barcelona (ES)
- (72) Inventors: **Gonzalo Milà Valcárcel**, Barcelona (ES); **Miguel Milà Sagnier**, Barcelona (ES)
- (73) Assignee: **Santa & Cole Neoseries S.L.**, La Roca des Vallès (Barcelona) (ES)

- D237,434 S * 11/1975 Le May, Jr. D6/370
- D240,097 S * 6/1976 Box D6/370
- D257,808 S * 1/1981 Haggard D6/370
- D333,925 S 3/1993 Ricchio et al.
- D399,667 S 10/1998 Muller
- D425,718 S 5/2000 van Valderen
- D647,318 S * 10/2011 Bogdan et al. D6/379
- D655,953 S * 3/2012 Hughes et al. D6/717
- D660,036 S * 5/2012 Grotta et al. D6/370
- D660,037 S * 5/2012 Pedersen et al. D6/370
- D660,038 S * 5/2012 Hoyord et al. D6/370
- D680,346 S * 4/2013 Pedersen et al. D6/370
- D711,661 S * 8/2014 Vanderminden D6/370

(*) Notice: This patent is subject to a terminal disclaimer.

(**) Term: **14 Years**

(21) Appl. No.: **29/495,622**

(22) Filed: **Jul. 2, 2014**

(30) **Foreign Application Priority Data**

Mar. 28, 2014 (EM) 0024355600006

(51) **LOC (10) Cl.** **06-01**

(52) **U.S. Cl.**
USPC **D6/370**

(58) **Field of Classification Search**
CPC A47C 11/00; A47C 4/02; A47C 4/03;
A47C 4/024; A47C 7/16
USPC D6/334-336, 370, 374, 376, 379, 380,
D6/381, 716, 716.1, 716.2, 716.3, 716.4,
D6/717; 297/232, 440.18, 411.42, 445.1,
297/446.1, 452.63
See application file for complete search history.

(56) **References Cited**

U.S. PATENT DOCUMENTS

- D127,713 S * 6/1941 Haase D6/370
- D201,178 S * 5/1965 Clarke D6/370

OTHER PUBLICATIONS

U.S. Notice of Allowance mailed Sep. 4, 2014 in corresponding Design U.S. Appl. No. 29/495,618.
U.S. Appl. No. 29/495,618, filed Jul. 2, 2014, Gonzalo Milà Valcárcel et al., Santa & Cole Neoseries S.L.

* cited by examiner

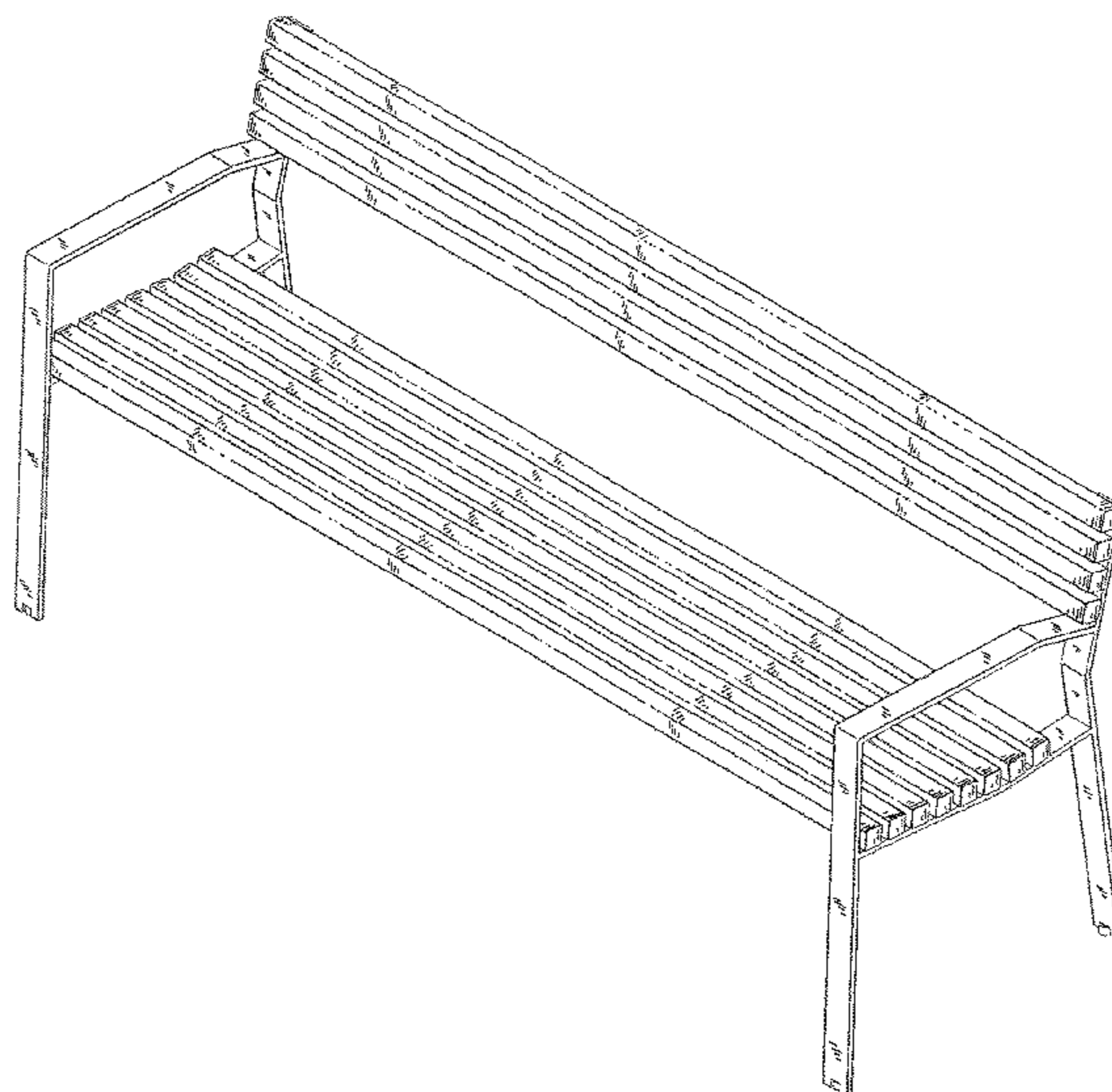
Primary Examiner — Mimosa De
(74) *Attorney, Agent, or Firm* — Staas & Halsey LLP

(57) **CLAIM**
The ornamental design for a bench, as shown.

DESCRIPTION

FIG. 1 is a top perspective view of the bench showing our design;
FIG. 2 is a front view thereof;
FIG. 3 is a left side view thereof;
FIG. 4 is a top view thereof;
FIG. 5 is a right side view thereof;
FIG. 6 is a bottom view thereof; and,
FIG. 7 is a rear view thereof.

1 Claim, 7 Drawing Sheets



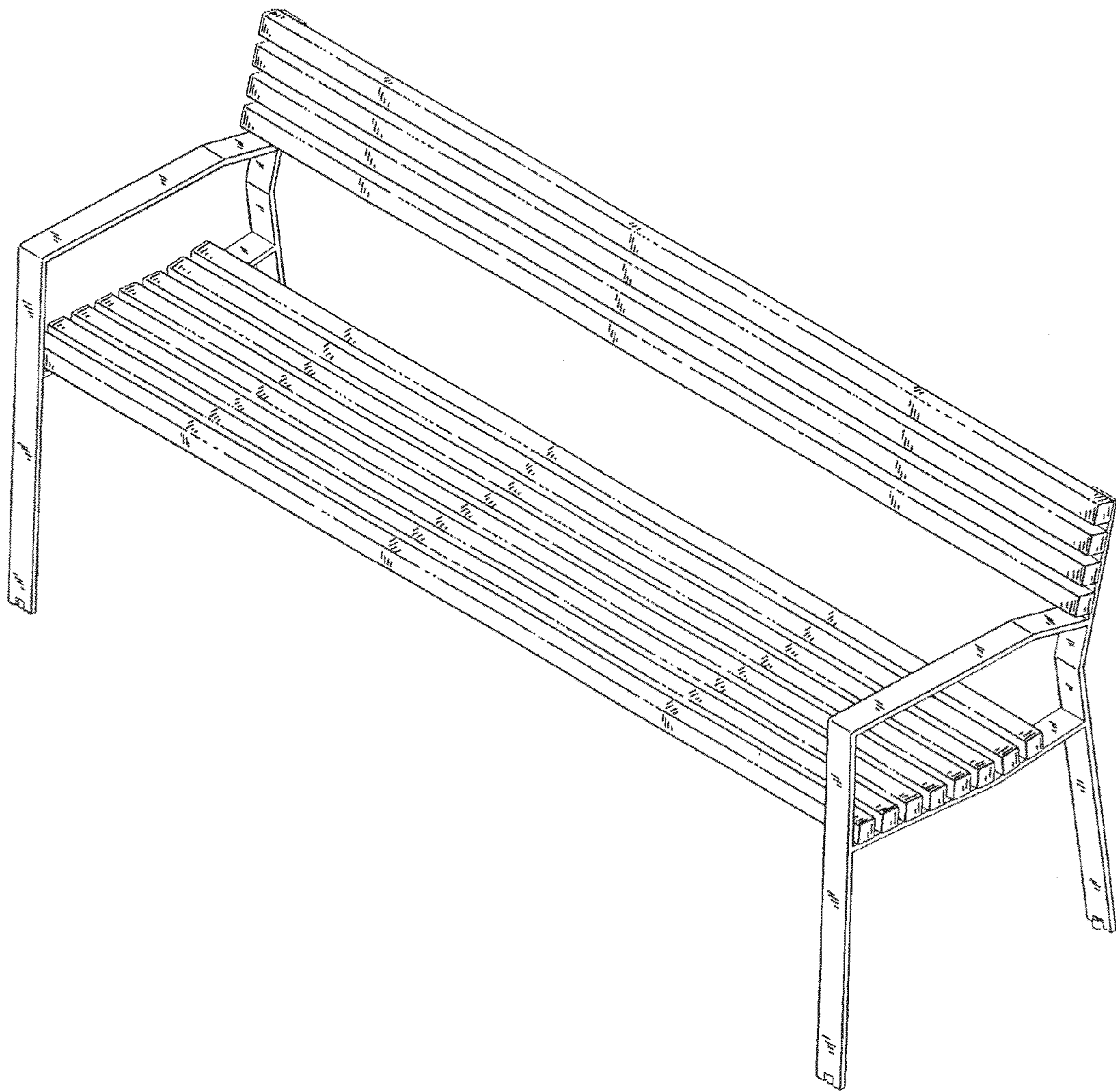


FIG. 1

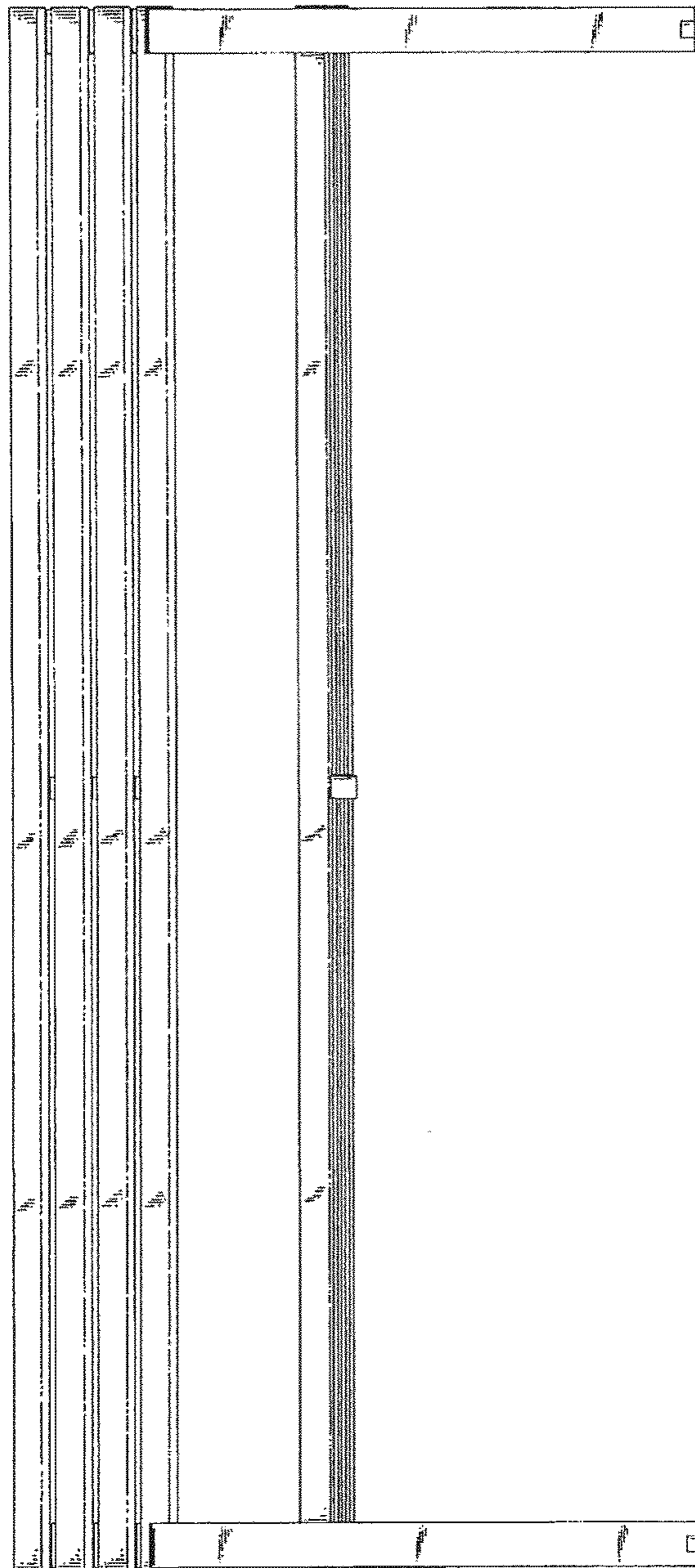


FIG. 2

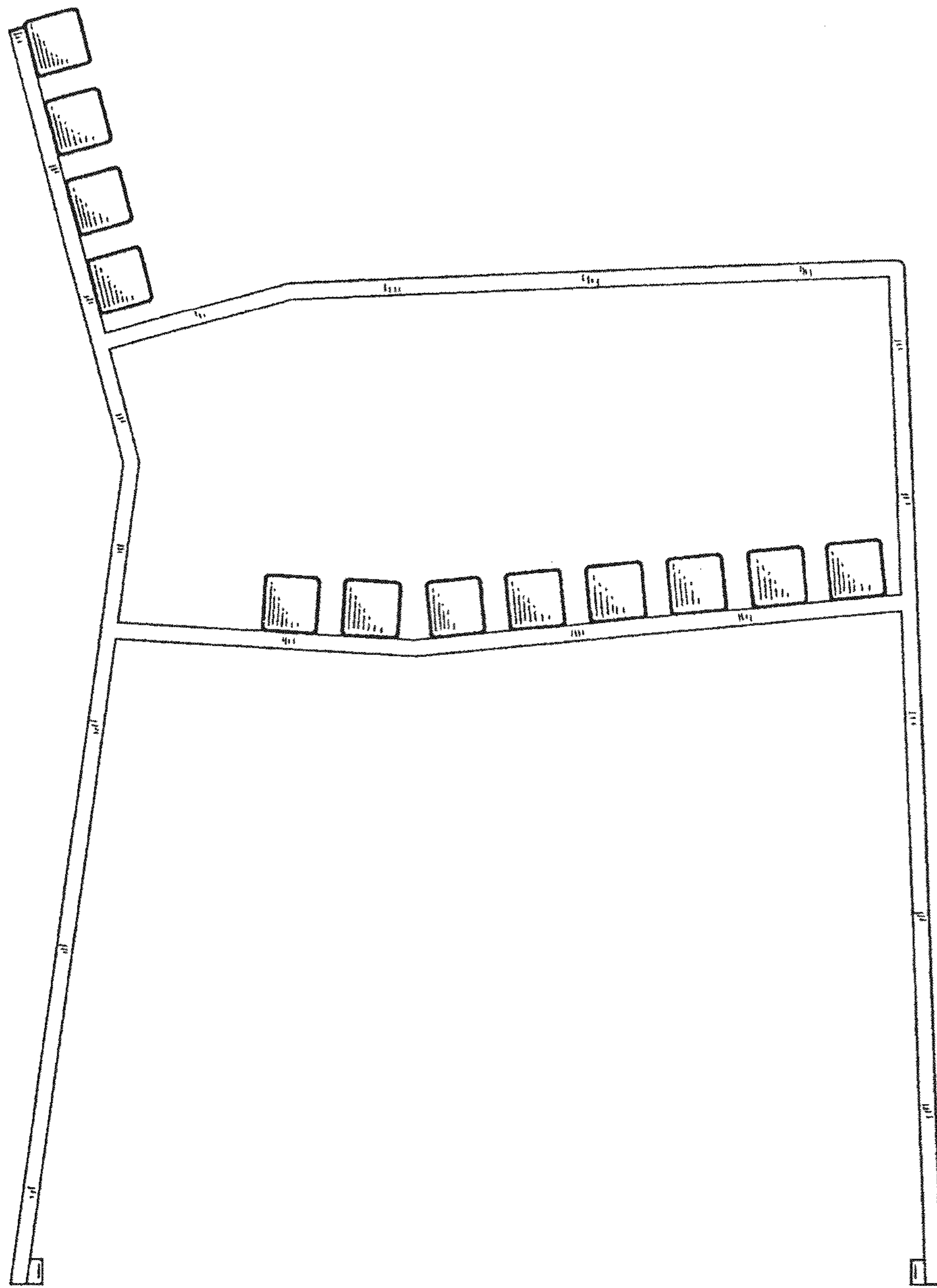


FIG. 3

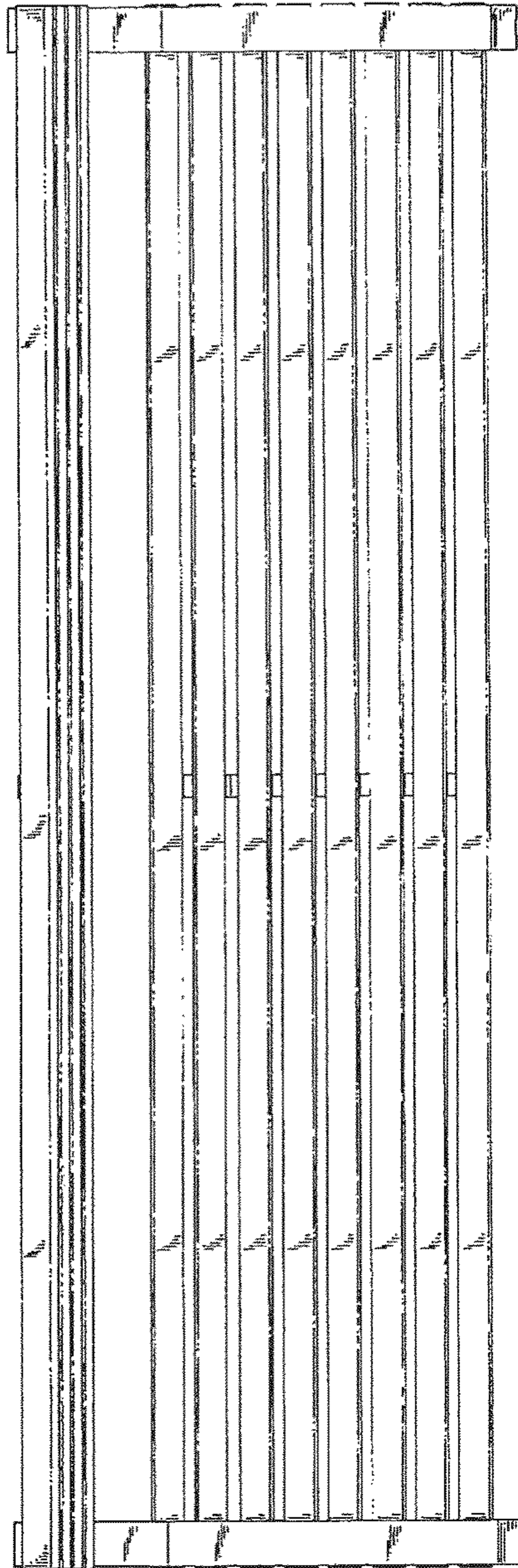


FIG. 4

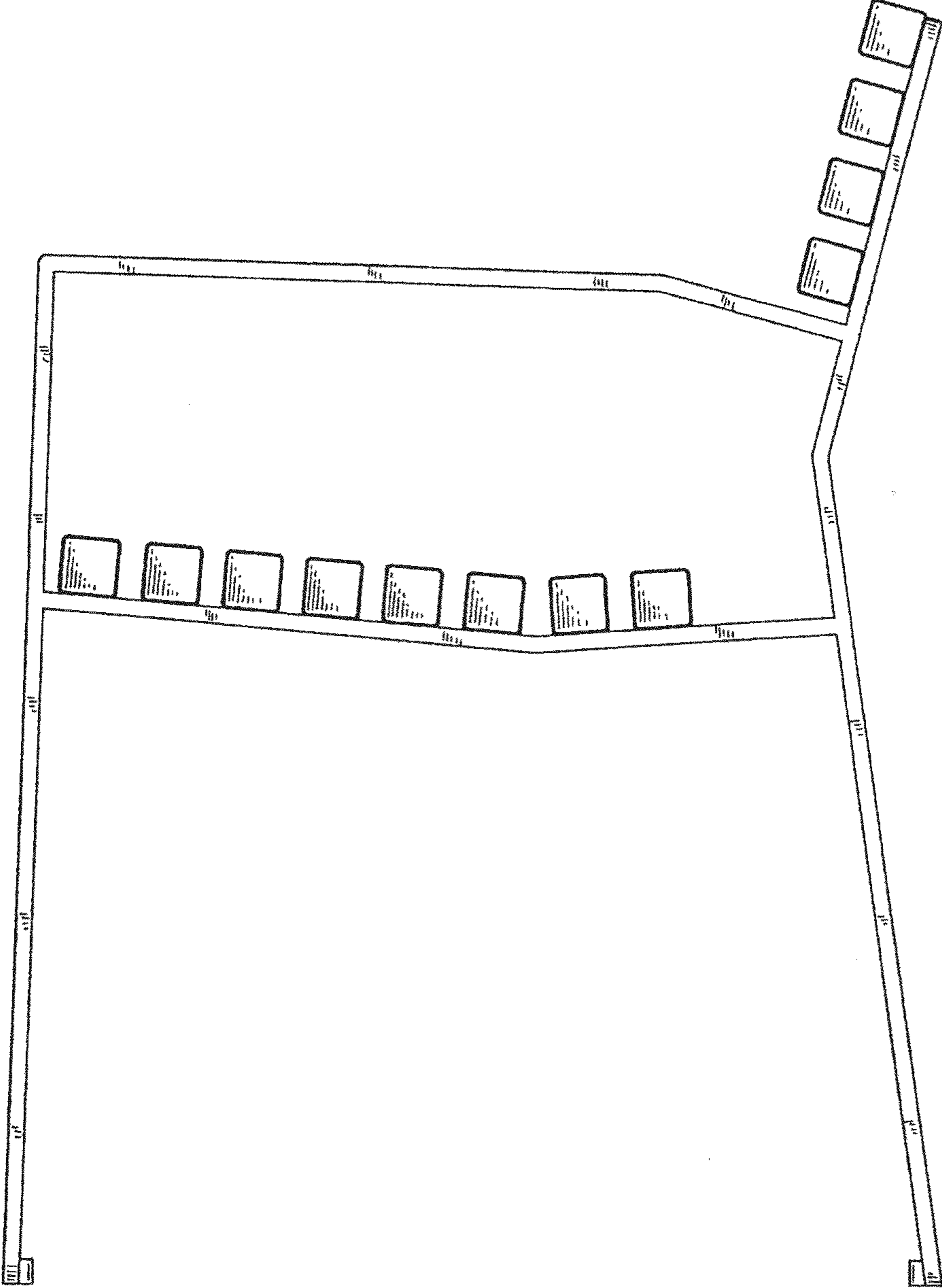


FIG. 5

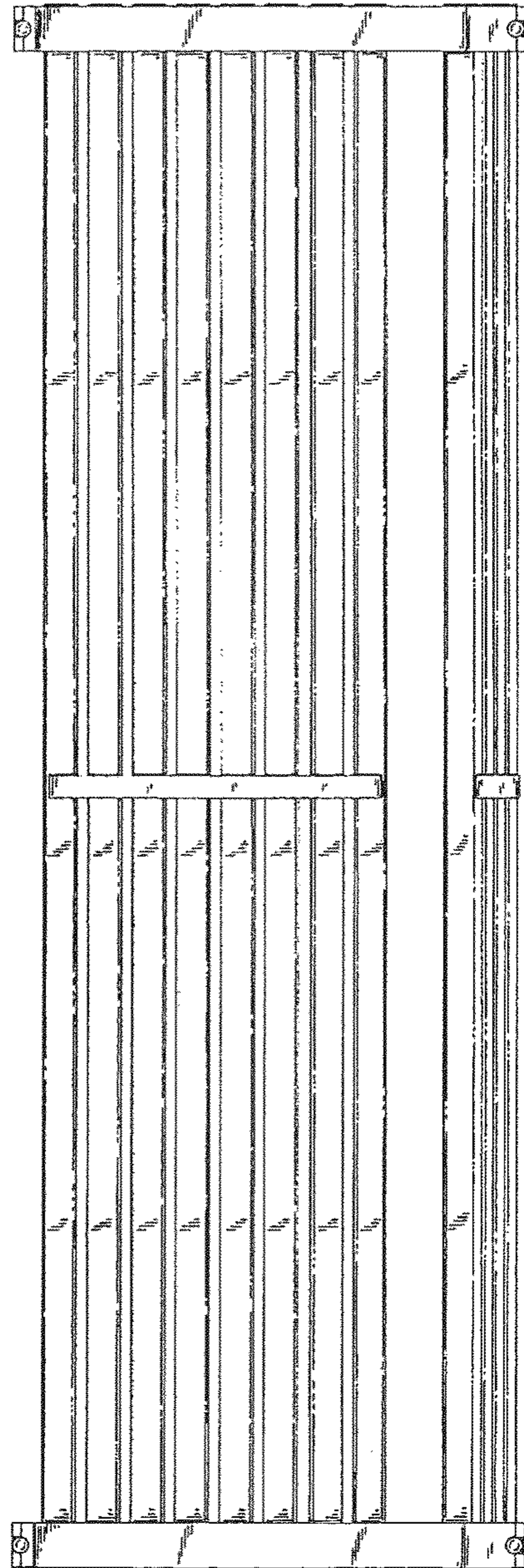


FIG. 6

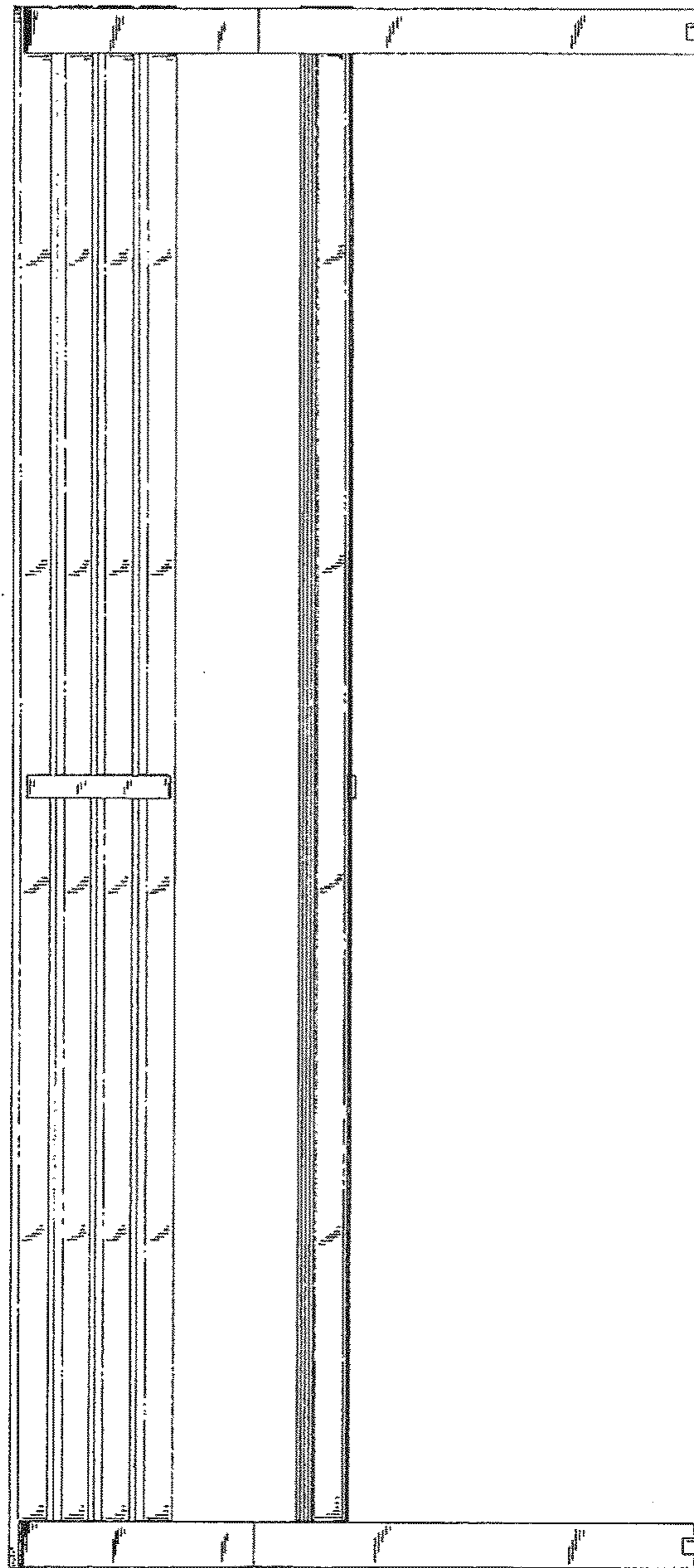


FIG. 7

UNITED STATES PATENT AND TRADEMARK OFFICE
CERTIFICATE OF CORRECTION

PATENT NO. : D724,341 S
APPLICATION NO. : 29/495622
DATED : March 17, 2015
INVENTOR(S) : Gonzalo Milà Valcárcel et al.

Page 1 of 1

It is certified that error appears in the above-identified patent and that said Letters Patent is hereby corrected as shown below:

On the Title Page Item [73] (Assignee), Lines 1-2, delete “**La Roca des Vallès (Barcelona) (ES)**” and insert -- **La Roca del Vallès (Barcelona) (ES)** --.

Signed and Sealed this
Thirtieth Day of June, 2015



Michelle K. Lee
Director of the United States Patent and Trademark Office