



US00D724340S

(12) **United States Design Patent**
Trocchia et al.

(10) **Patent No.:** **US D724,340 S**
(45) **Date of Patent:** **** Mar. 17, 2015**

(54) **CHAIR**
(71) Applicant: **BV Furniture, Inc.**, New York, NY (US)
(72) Inventors: **Vincent Trocchia**, Short Hills, NJ (US);
Bryan Good, Norwalk, CT (US)
(73) Assignee: **BV Furniture Inc.**, New York, NY (US)
(**) Term: **14 Years**

| | | | |
|----------------|---------|-----------------|------------|
| 3,527,497 A * | 9/1970 | Self | 297/440.13 |
| D221,936 S * | 9/1971 | Fear | D6/374 |
| 4,188,067 A * | 2/1980 | Elmer | 297/440.13 |
| D326,368 S * | 5/1992 | Vilmar-Matthews | D6/363 |
| 5,605,378 A * | 2/1997 | Oyediran | 297/440.13 |
| D385,313 S * | 10/1997 | Poisson | D21/521 |
| 5,992,938 A * | 11/1999 | Jones | 297/440.13 |
| D425,576 S * | 5/2000 | Michaelson | D21/521 |
| 6,109,695 A * | 8/2000 | Kahwaji | 297/440.13 |
| 6,848,747 B1 * | 2/2005 | Robinson | 297/440.13 |
| D513,898 S * | 1/2006 | Frey | D6/368 |

* cited by examiner

(21) Appl. No.: **29/477,384**
(22) Filed: **Dec. 20, 2013**
(51) **LOC (10) Cl.** **06-01**
(52) **U.S. Cl.**
USPC **D6/363**
(58) **Field of Classification Search**
USPC D6/334-336, 358-380, 388, 403,
D6/491-502, 692, 708, 709.2, 711.1, 716,
D6/716.2-716.4, 717; D21/521;
297/411.44, 440.13-440.23, 445.1,
297/446.2, 448.1, 452.12, 452.18, 452.2,
297/452.21, 452.38, 452.48
See application file for complete search history.

Primary Examiner — Ricky Pham
(74) *Attorney, Agent, or Firm* — Baker and Rannells, P.A.

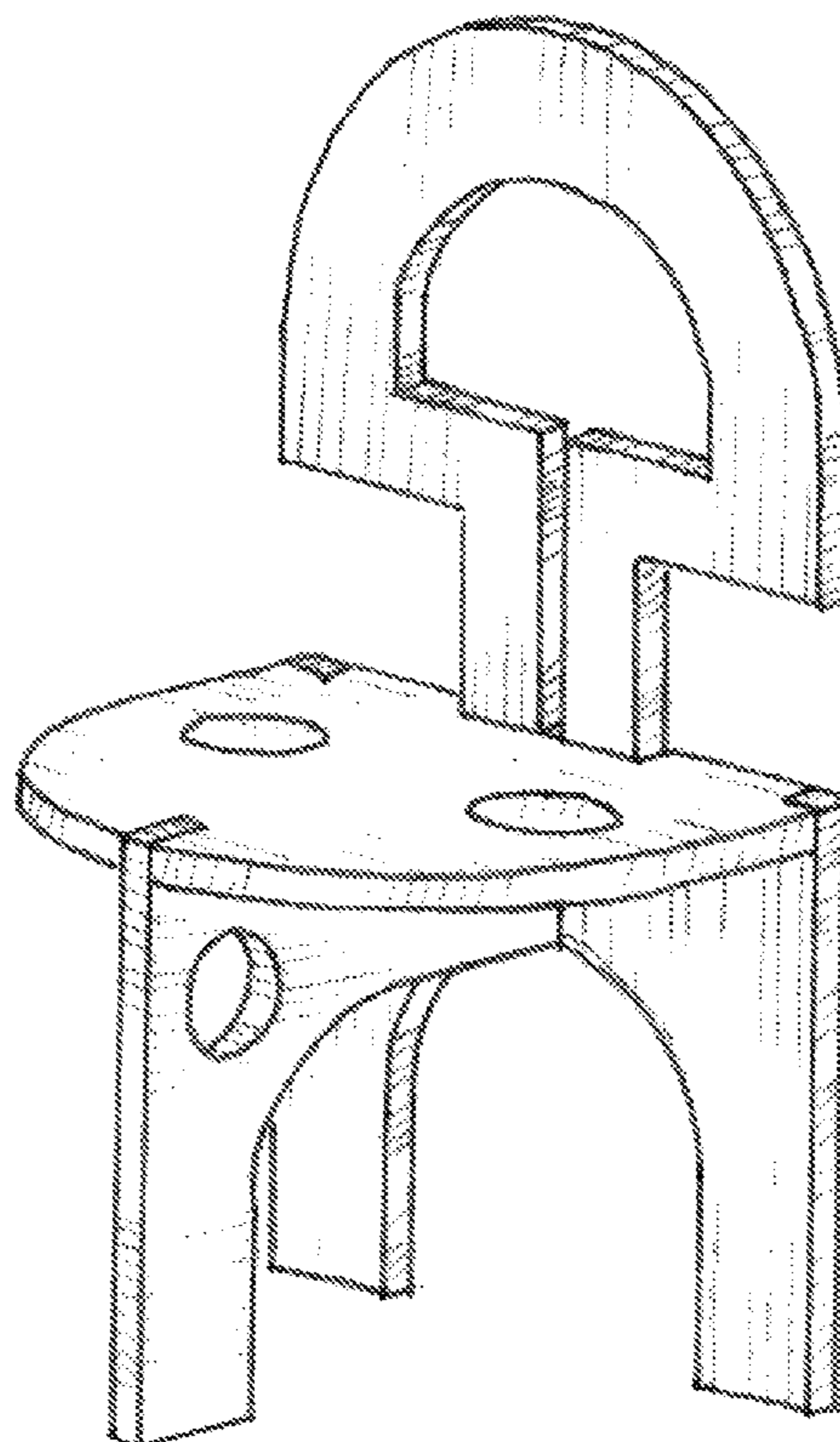
(57) **CLAIM**
The ornamental design for a chair, as shown and described.

DESCRIPTION

FIG. 1 is an isometric view of a chair in accordance with the new design;
FIG. 2 is a side elevational view thereof, wherein the right side and left side are mirror images;
FIG. 3 is a front elevational view thereof;
FIG. 4 is a rear elevational view thereof;
FIG. 5 is a top view thereof;
FIG. 6 is a bottom view thereof; and,
FIG. 7 is an exploded view of components thereof.

(56) **References Cited**
U.S. PATENT DOCUMENTS
2,479,086 A * 8/1949 Silverman 297/440.13
3,485,527 A * 12/1969 Barghout 297/445.1

1 Claim, 7 Drawing Sheets



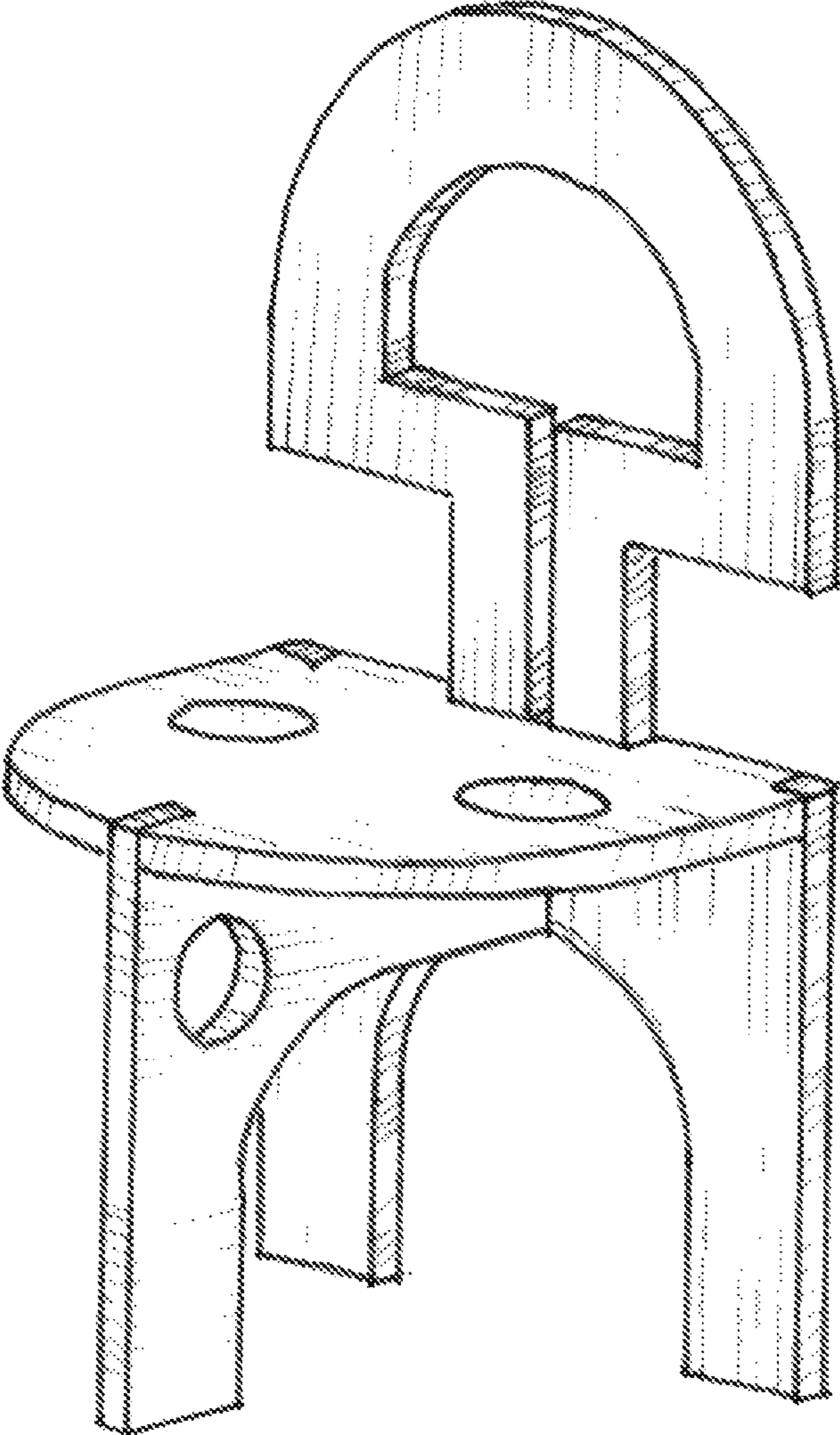


FIG. 1

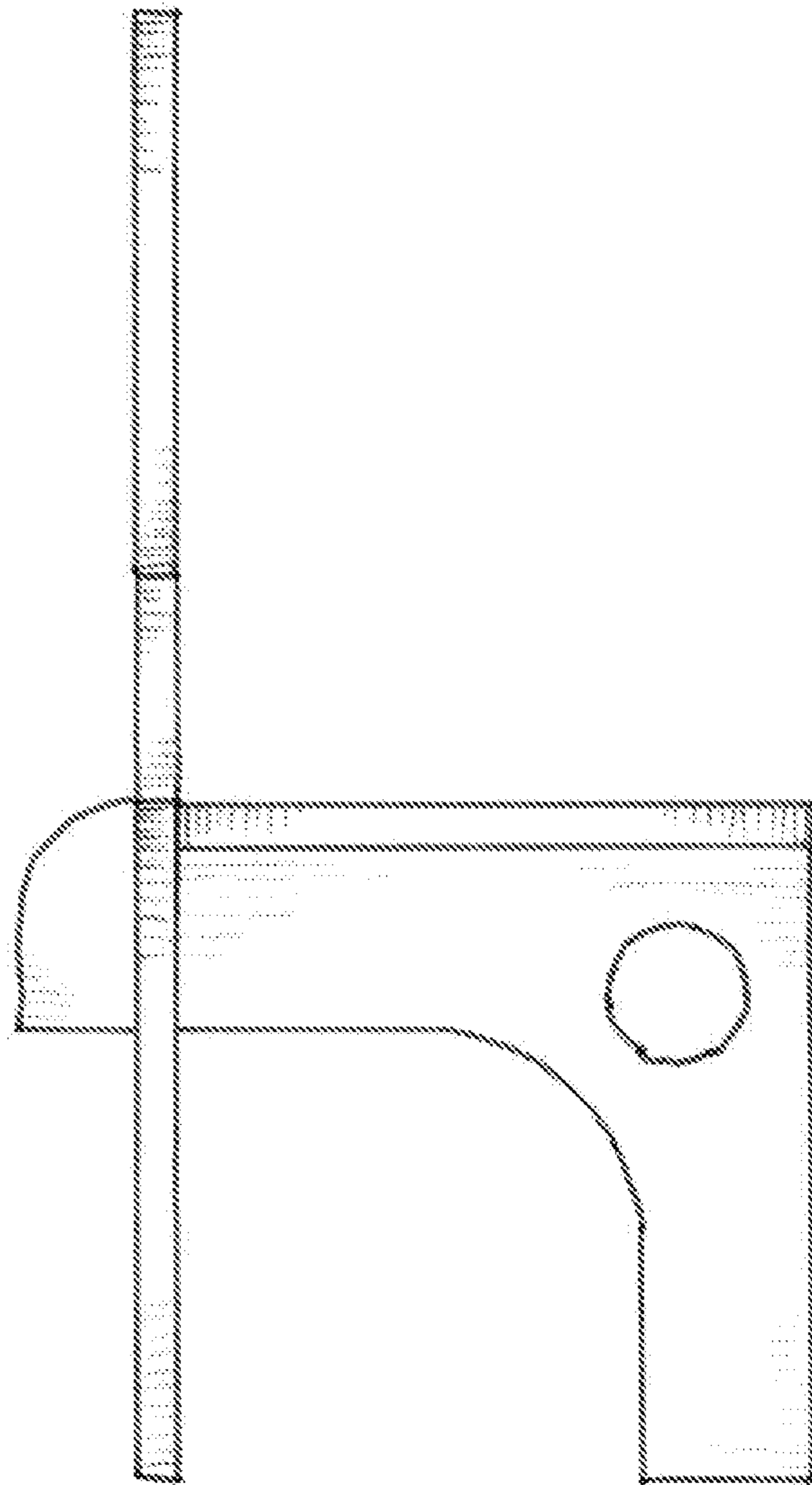


FIG. 2

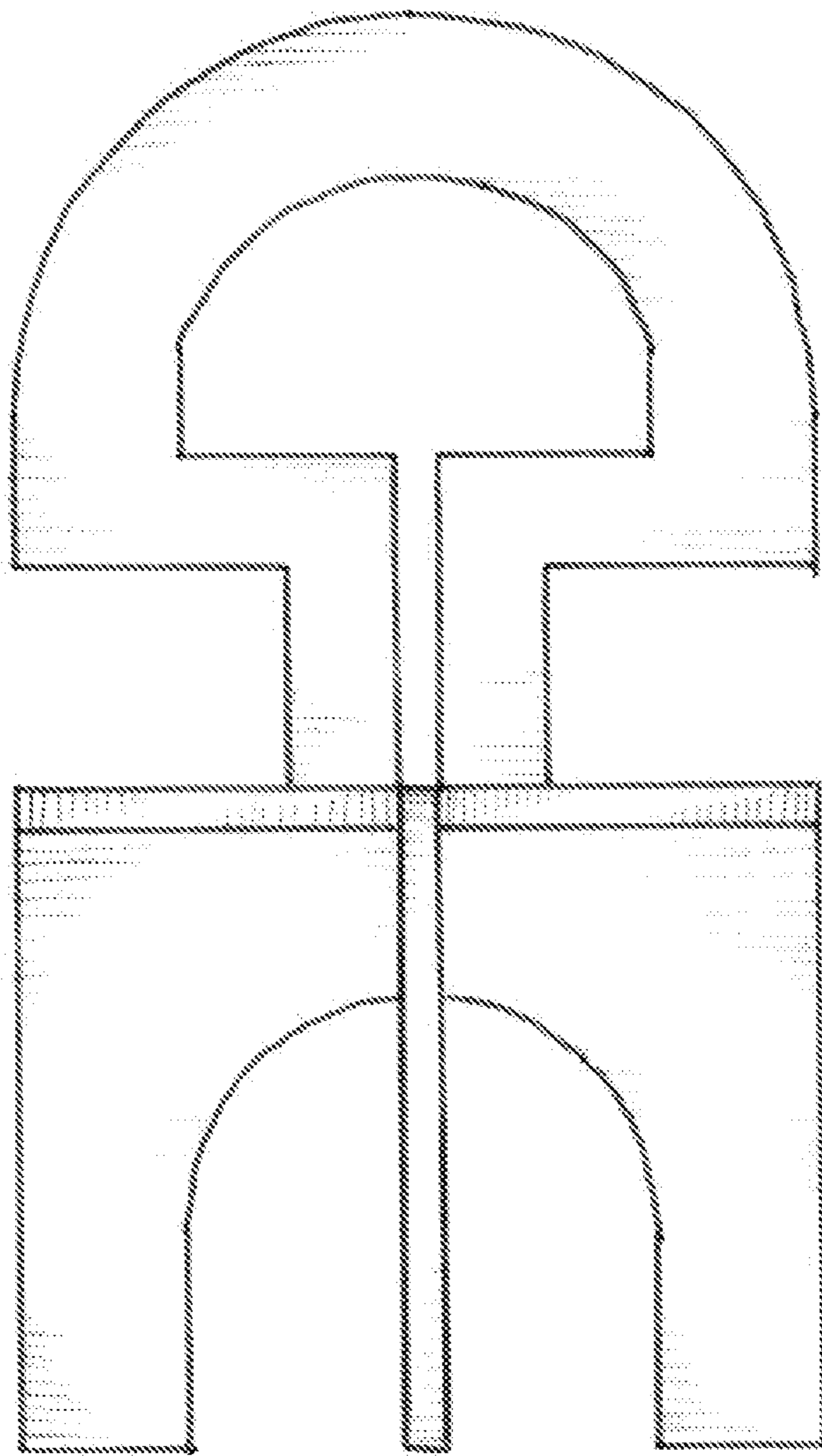


FIG. 3

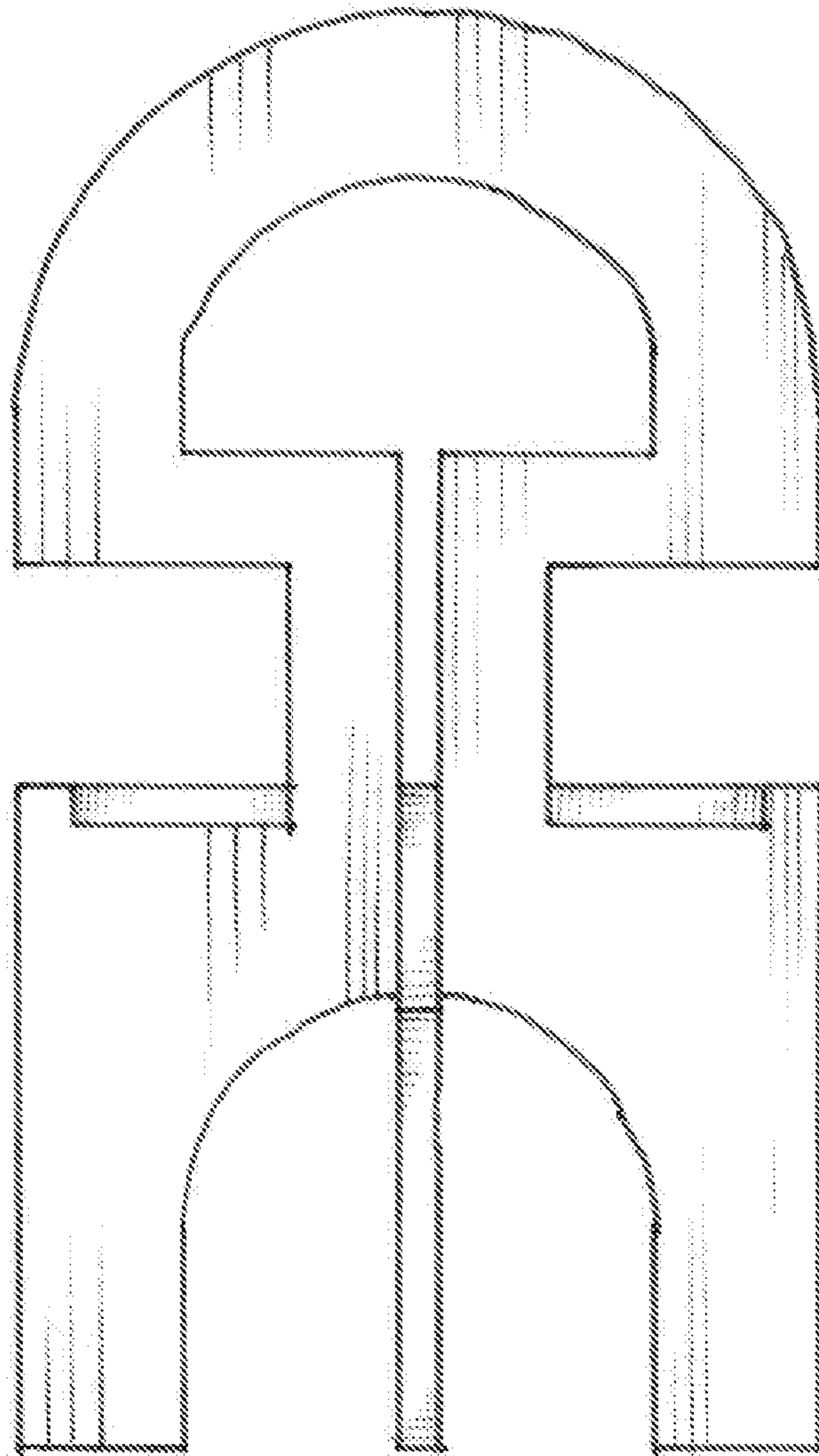


FIG. 4

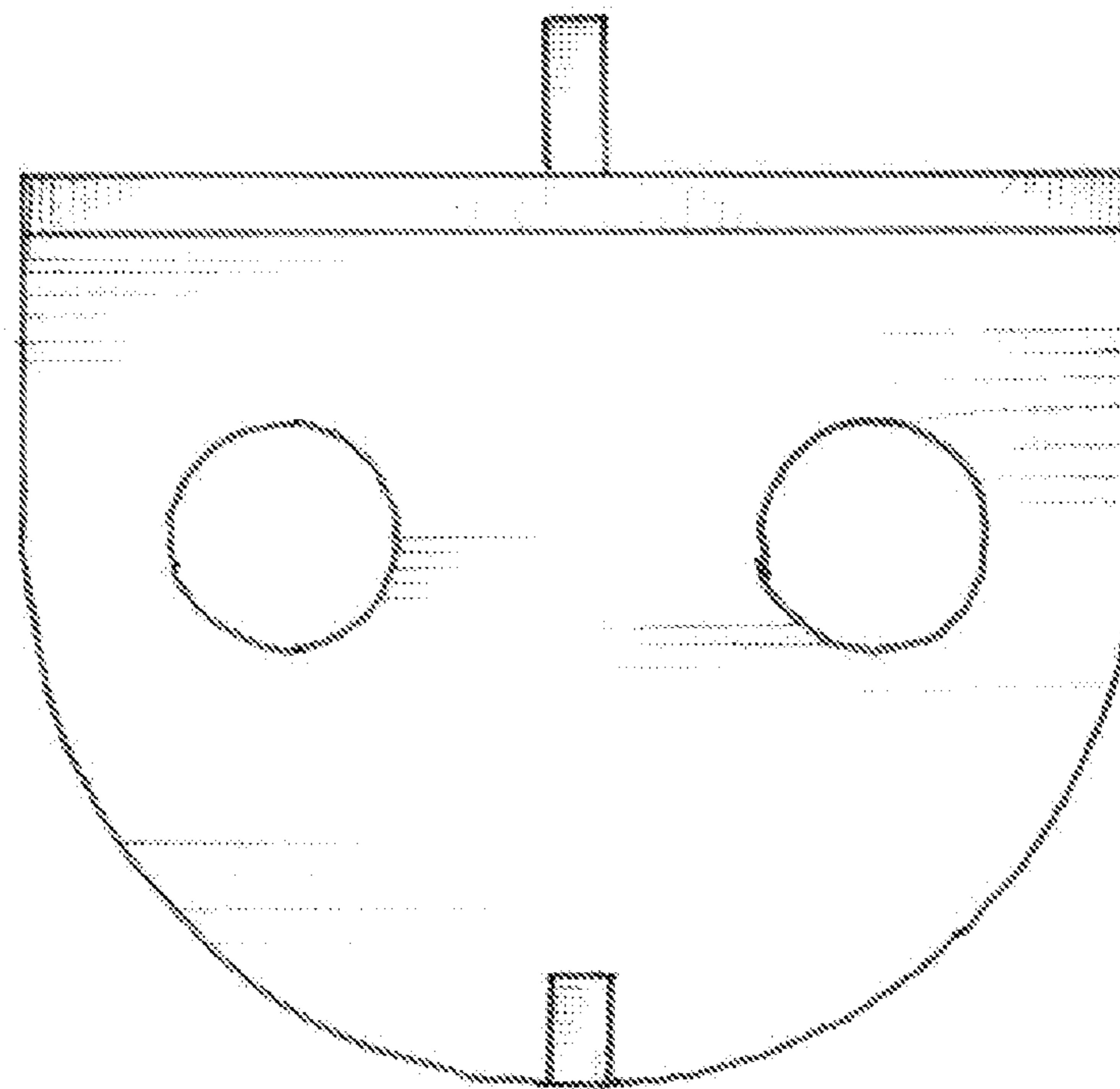


FIG. 5

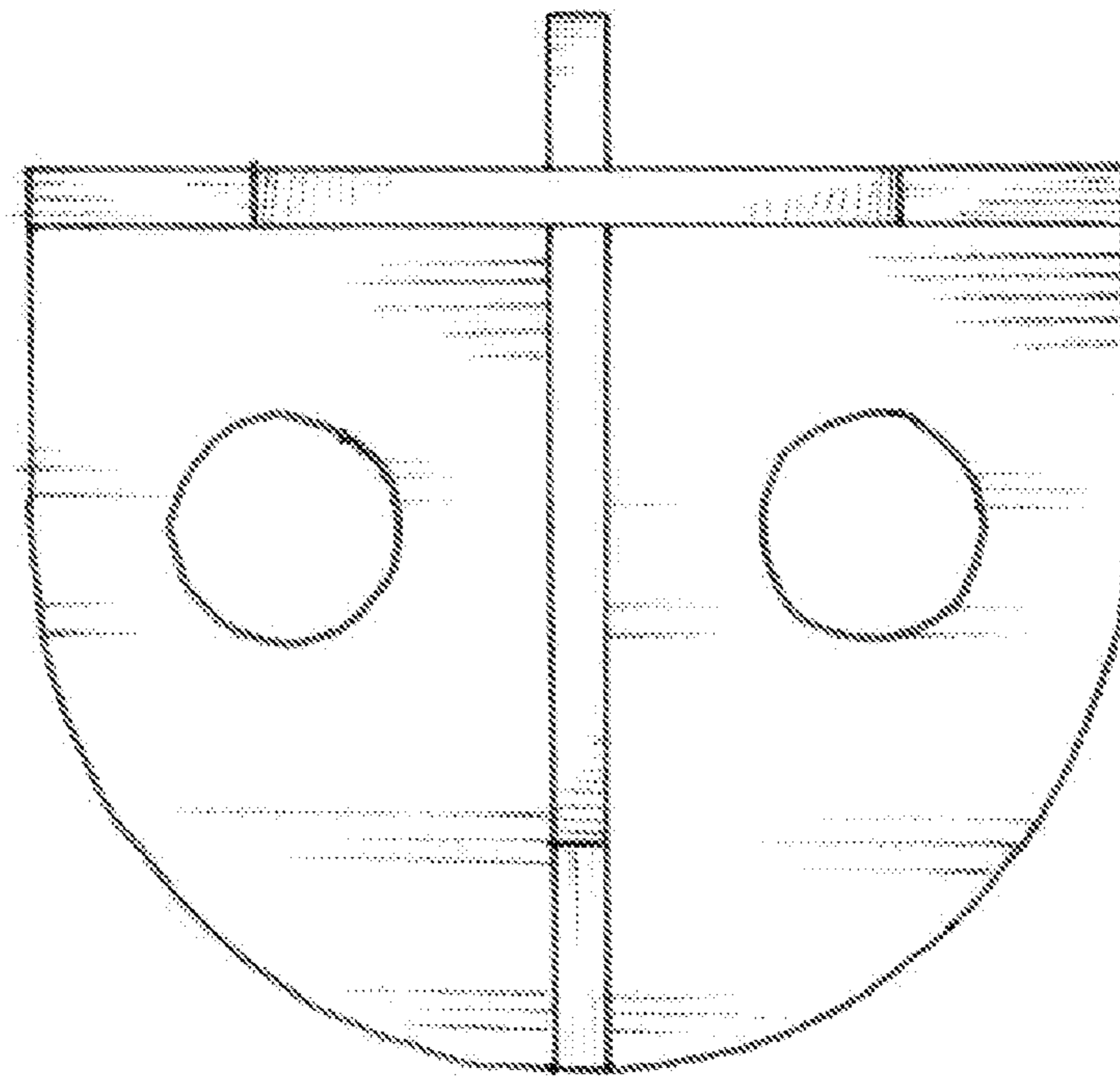


FIG. 6

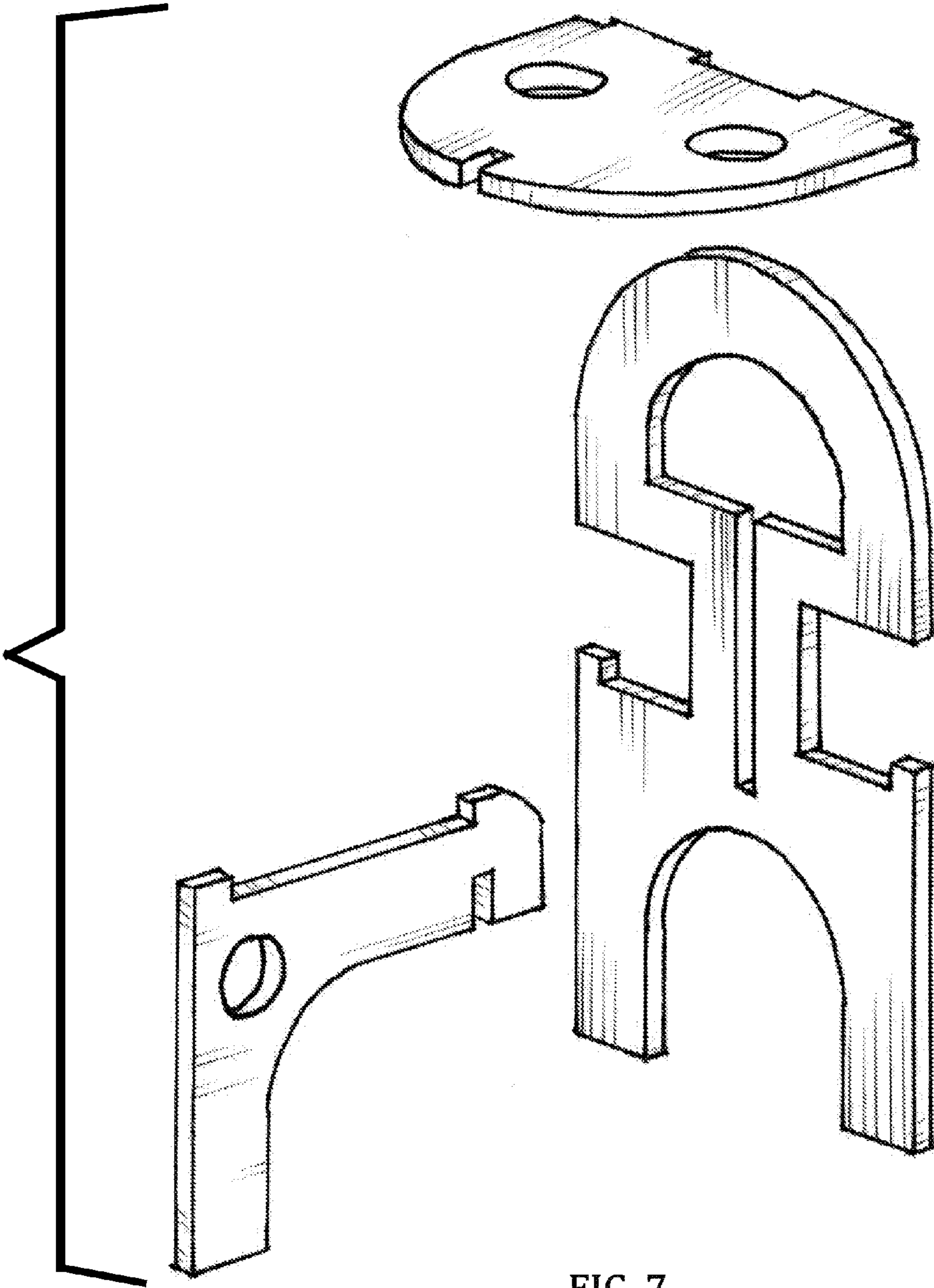


FIG. 7