

US00D724338S

(12) **United States Design Patent**  
**Nicholas**

(10) **Patent No.:** **US D724,338 S**  
(45) **Date of Patent:** **\*\* \*Mar. 17, 2015**

(54) **ROW OF SEATS**

(71) Applicant: **Etihad Airways**, Abu Dhabi (AE)

(72) Inventor: **Richard Nicholas**, London (GB)

(73) Assignee: **Etihad Airways** (AE)

(\* ) Notice: This patent is subject to a terminal disclaimer.

(\*\*) Term: **14 Years**

(21) Appl. No.: **29/478,766**

(22) Filed: **Jan. 8, 2014**

(30) **Foreign Application Priority Data**

Jul. 9, 2013 (EP) ..... 002270918-0003  
Jul. 29, 2013 (EP) ..... 002283168-0002

(51) **LOC (10) Cl.** ..... **06-01**

(52) **U.S. Cl.**  
USPC ..... **D6/356**

(58) **Field of Classification Search**  
USPC ..... D6/333-336, 342-356, 360-381, 388,  
D6/403, 491-502, 692, 708, 708.21, 716,  
D6/716.2-716.4; 244/118.6, 122 R;  
297/188.04, 217.3, 232, 257, 271.6,  
297/284.4-284.5, 291, 297, 302.4, 353,  
297/344.1, 354.1, 362.13, 396, 411.2,  
297/411.27-411.29, 411.43, 423.1, 423.12,  
297/440.11, 440.15, 440.21-440.24, 448.1,  
297/451.4, 452.13, 452.19, 452.21, 452.27,  
297/452.29, 452.3, 452.41, 452.56, 452.64,  
297/474

See application file for complete search history.

(56) **References Cited**

**U.S. PATENT DOCUMENTS**

D186,105 S \* 9/1959 Dietz et al. .... D6/356  
D198,498 S \* 6/1964 Malitte ..... D6/356  
D198,783 S \* 8/1964 Barecki ..... D6/356  
3,333,890 A \* 8/1967 Whitwam ..... 297/188.04

D210,363 S \* 3/1968 Barecki ..... D6/356  
D225,193 S \* 11/1972 Barecki ..... D6/356  
D239,148 S \* 3/1976 Smith et al. .... D6/342  
D250,071 S \* 10/1978 Dickerson ..... D6/356  
D257,707 S \* 12/1980 Marrujo ..... D6/342  
D267,372 S \* 12/1982 Long et al. .... D6/356  
D268,972 S \* 5/1983 White ..... D6/356  
D277,526 S \* 2/1985 White ..... D6/356  
4,526,421 A \* 7/1985 Brennan et al. .... 297/232  
D336,379 S \* 6/1993 Veneruso ..... D6/356  
6,241,188 B1 \* 6/2001 Simpson et al. .... 244/122 R  
D468,917 S \* 1/2003 Veneruso ..... D6/356  
6,776,455 B2 \* 8/2004 Longtin et al. .... 297/217.3  
D505,796 S \* 6/2005 Johnson ..... D6/356  
D632,105 S \* 2/2011 Aruga et al. .... D6/500  
D665,182 S \* 8/2012 Hilton et al. .... D6/360  
8,393,680 B2 \* 3/2013 Zimmermann et al. .... 297/257  
D686,422 S \* 7/2013 Robinson ..... D6/356  
2003/0094542 A1 \* 5/2003 Williamson ..... 244/122 R  
2004/0099766 A1 \* 5/2004 Pratt, Jr. .... 244/118.6  
2004/0195875 A1 \* 10/2004 Skelly ..... 297/217.3

**FOREIGN PATENT DOCUMENTS**

EP 002133561-0003 11/2012

\* cited by examiner

*Primary Examiner* — Ricky Pham

(74) *Attorney, Agent, or Firm* — Fredrikson & Byron, P.A.

(57) **CLAIM**

I claim the ornamental design for a row of seats, as shown and described.

**DESCRIPTION**

FIG. 1 is a front perspective of my new design for a row of seats;

FIG. 2 is a rear perspective view thereof;

FIG. 3 is a front view thereof;

FIG. 4 is a rear view thereof;

FIG. 5 is a top view thereof;

FIG. 6 is an enlarged side view thereof;

FIG. 7 is an enlarged opposite side view thereof; and,

FIG. 8 is a bottom view thereof.

The broken lines form no part of the claimed design.

**1 Claim, 8 Drawing Sheets**





FIG. 1

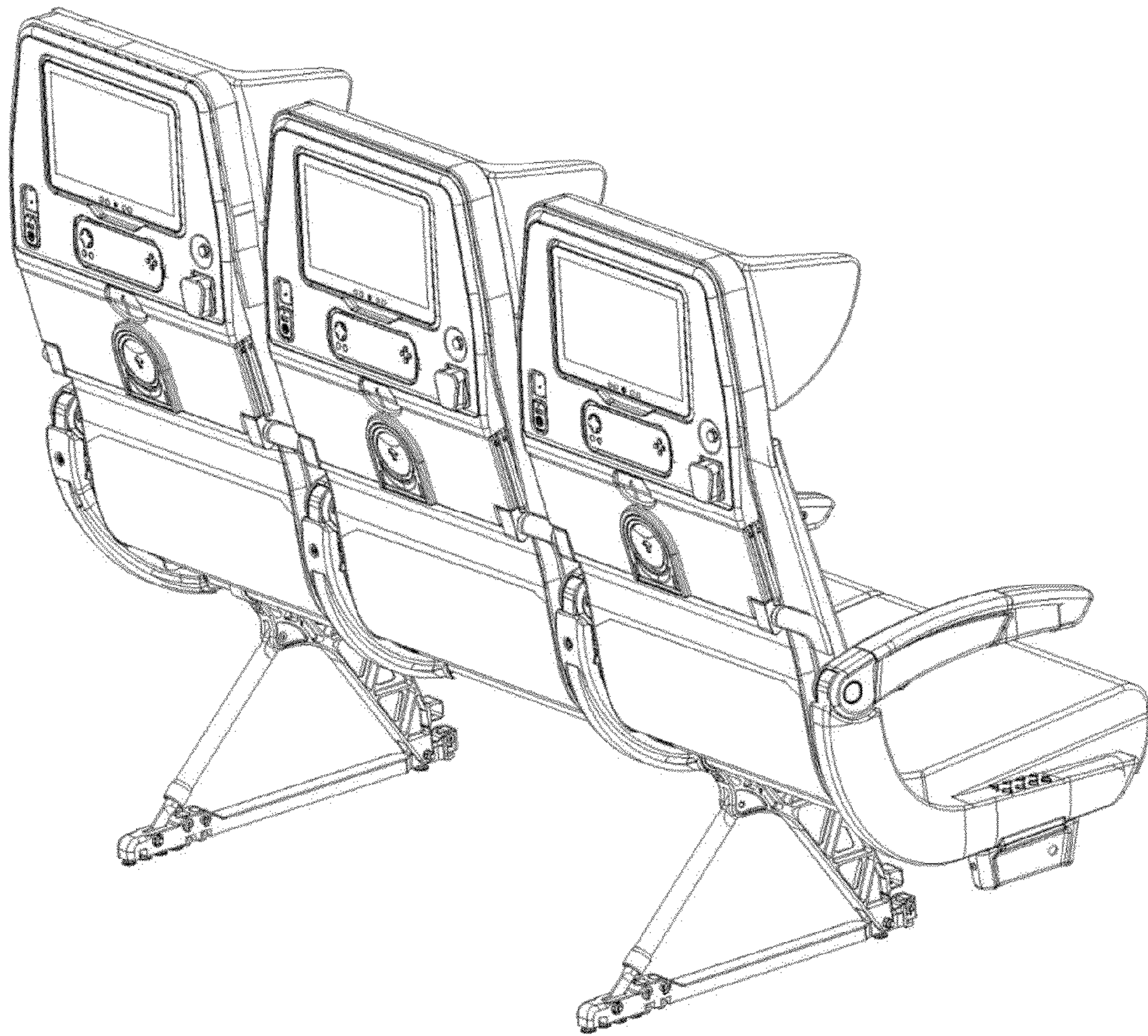


FIG. 2

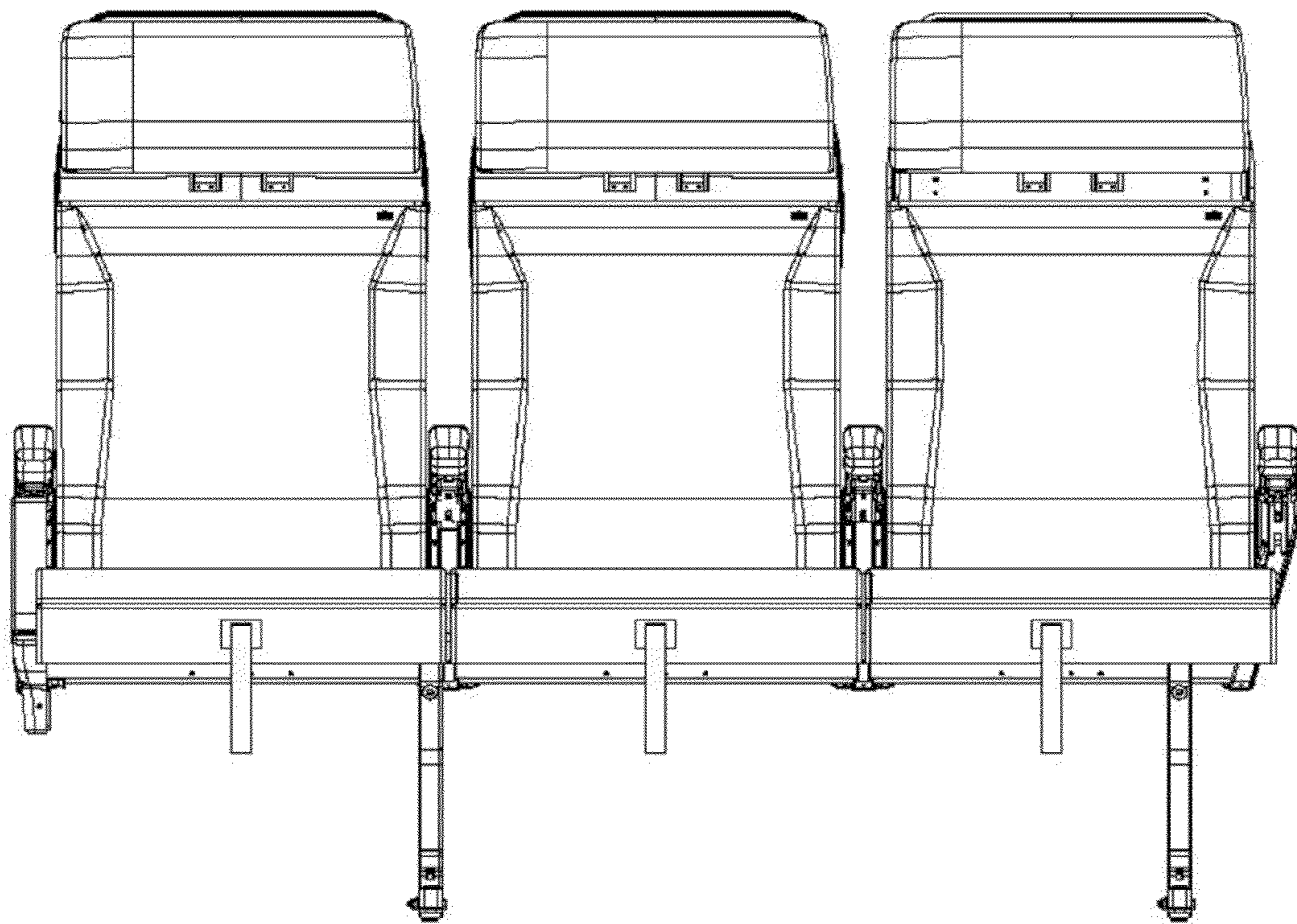


FIG. 3

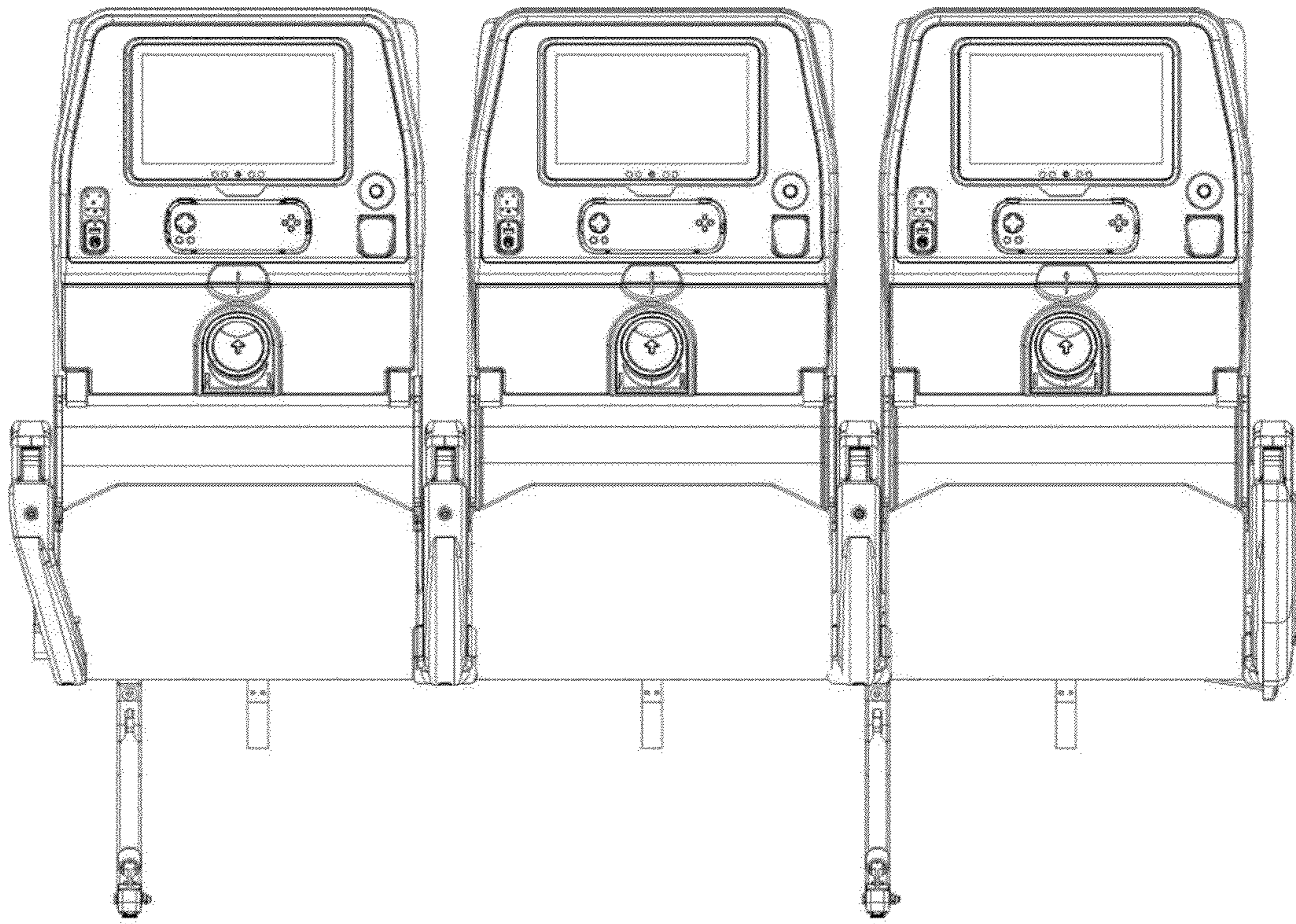


FIG. 4

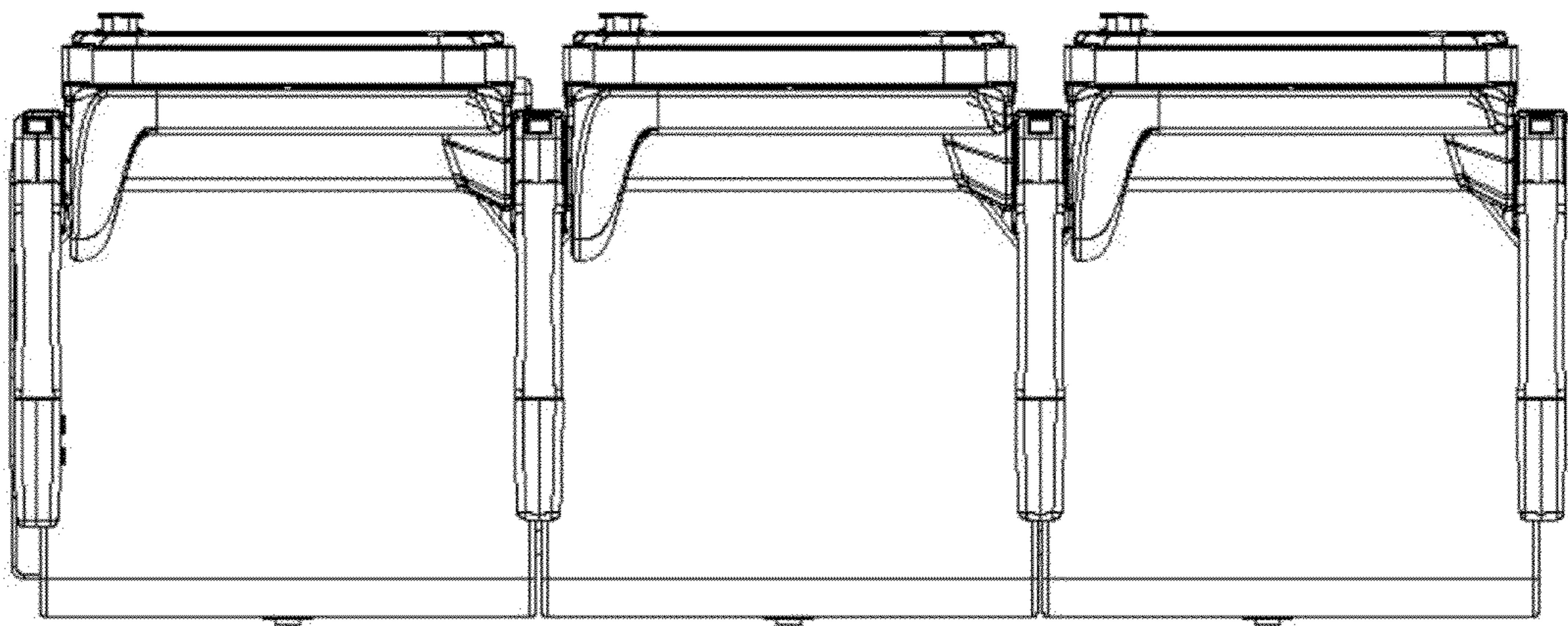


FIG. 5

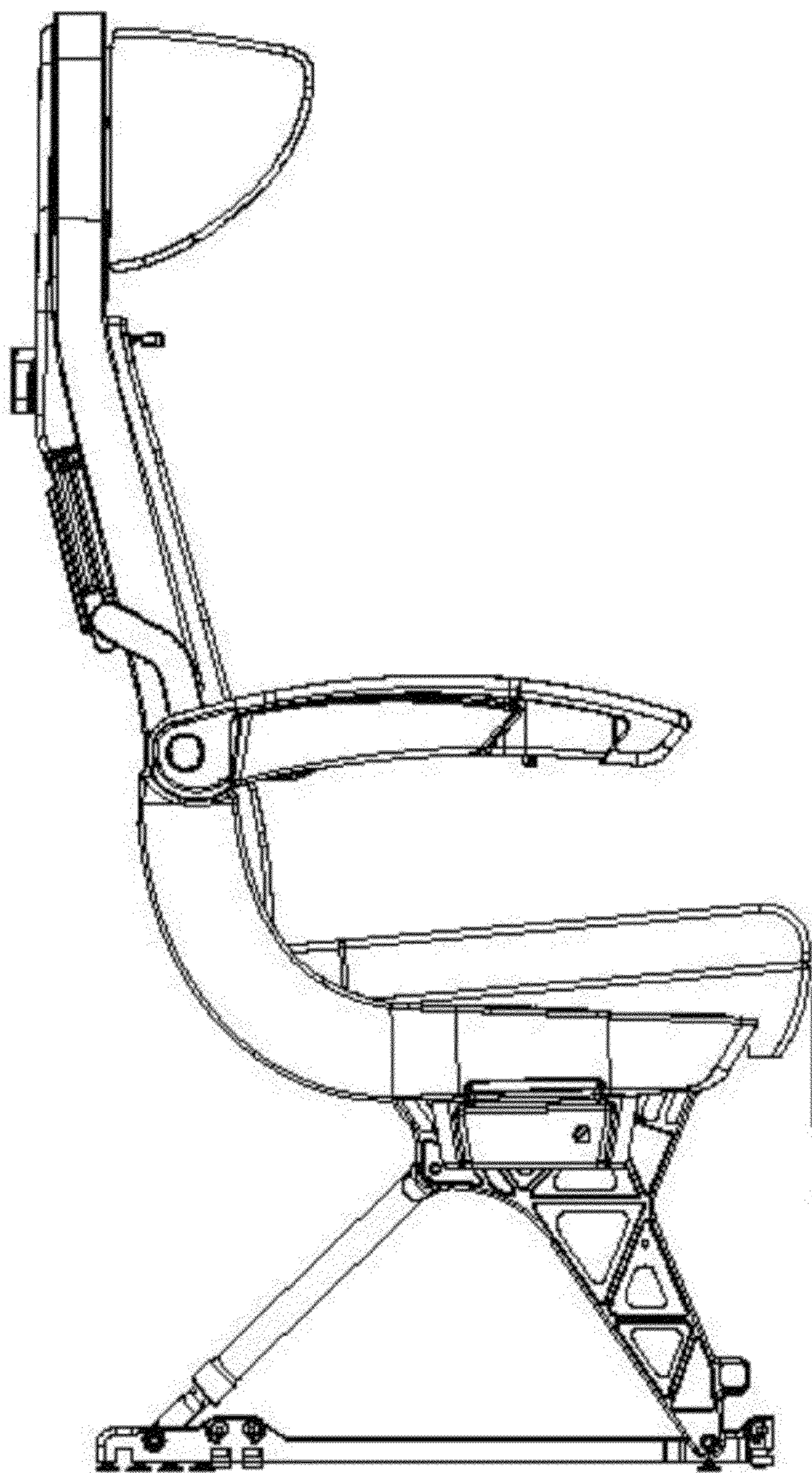


FIG. 6

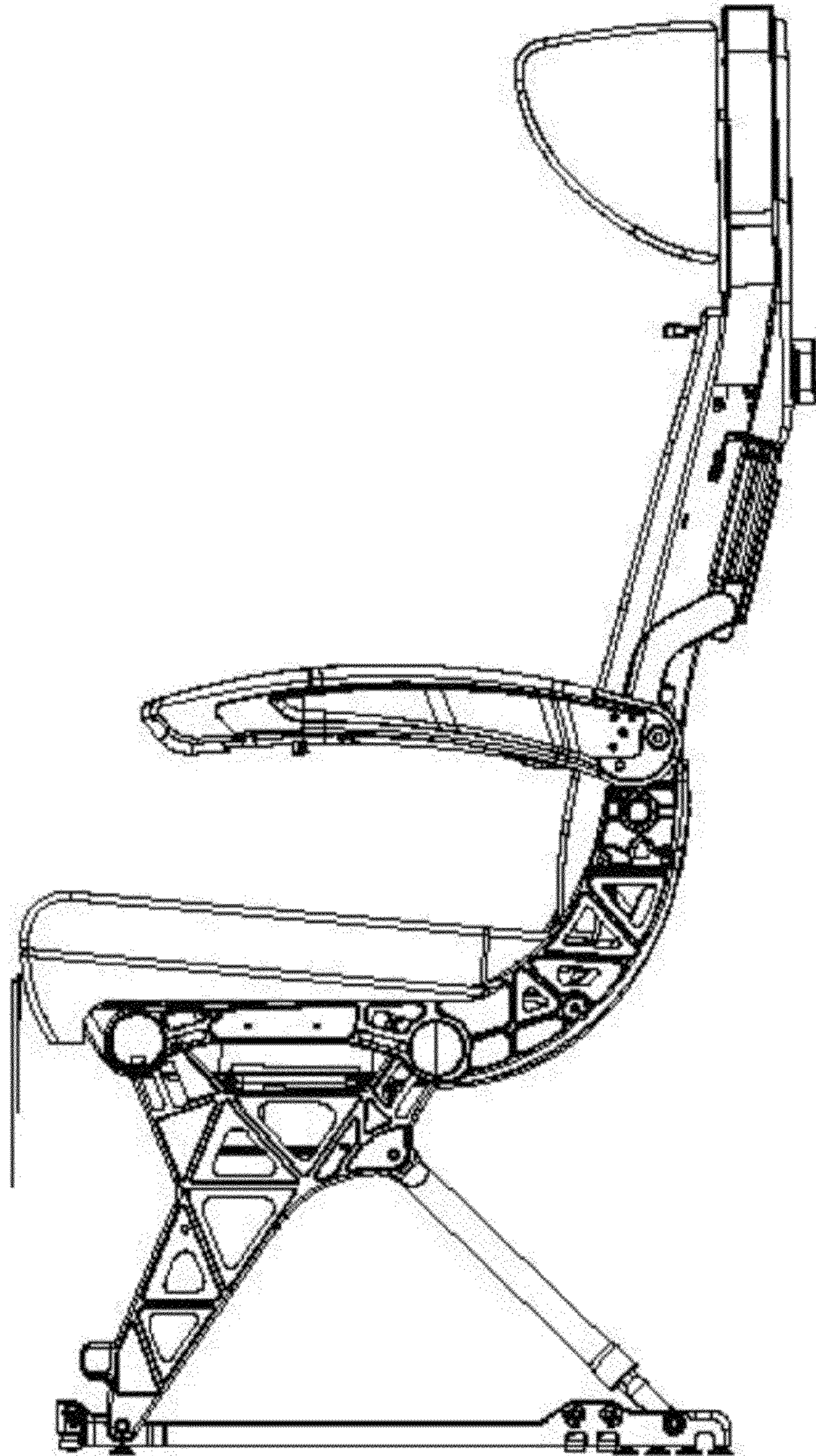


FIG. 7



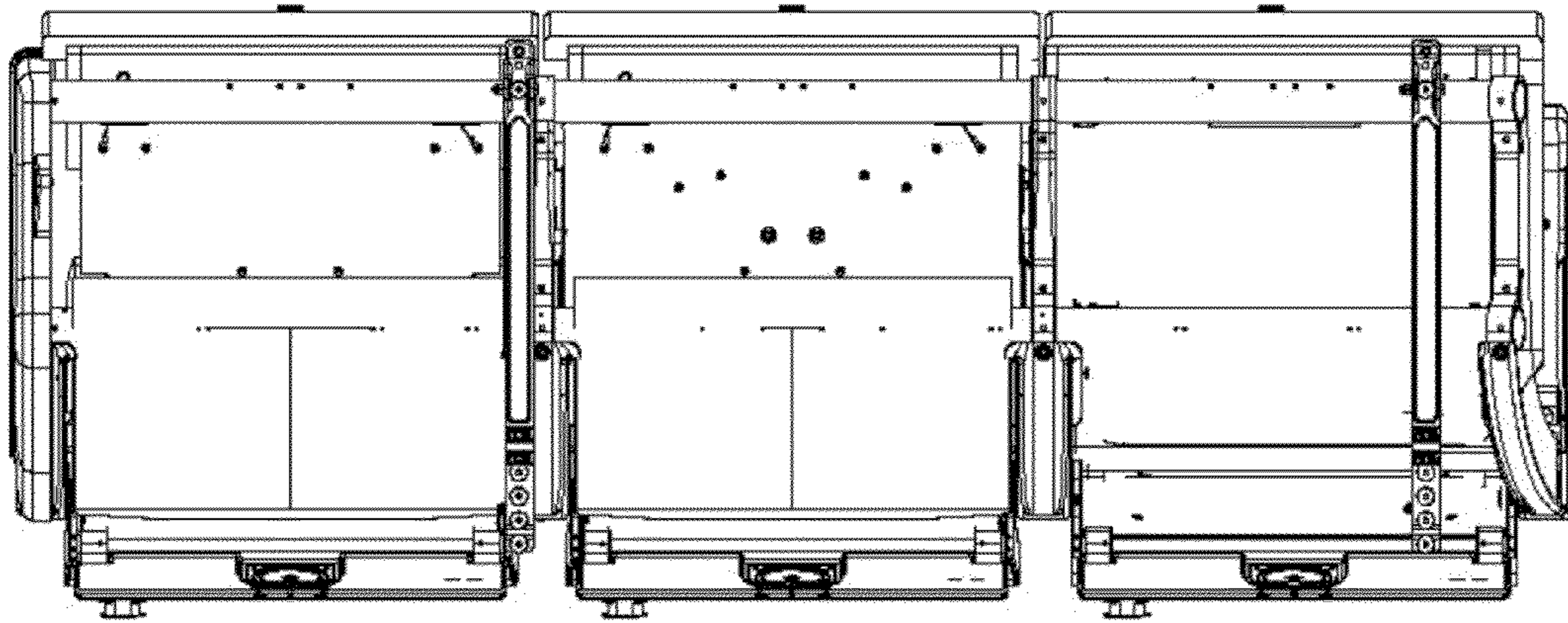


FIG. 8