



US00D724336S

(12) **United States Design Patent**  
**Lawson et al.**

(10) **Patent No.:** **US D724,336 S**  
(45) **Date of Patent:** **\*\* Mar. 17, 2015**

(54) **SEATING FOR A TRANSPORT VEHICLE**

(56) **References Cited**

(71) Applicant: **Etihad Airways**, Abu Dhabi (AE)

U.S. PATENT DOCUMENTS

(72) Inventors: **Nigel Lawson**, Sevenoaks (GB);  
**Anthony Harcup**, Surrey (GB); **Ian Dryburgh**, Hants (GB)

D169,073	S	*	3/1953	Lang	.....	D6/356
D169,074	S	*	3/1953	Lang	.....	D6/356
D170,059	S	*	7/1953	Lang	.....	D6/356
D217,962	S	*	7/1970	Bucher	.....	D6/356
D233,091	S	*	10/1974	Radke	.....	D6/356
3,910,630	A	*	10/1975	Runyon et al.	.....	A47C 17/16
D577,501	S	*	9/2008	Fisette et al.	.....	D6/356

(73) Assignee: **Etihad Airways** (AE)

\* cited by examiner

(\*\*) Term: **14 Years**

*Primary Examiner* — Mimoso De

(21) Appl. No.: **29/469,790**

(74) *Attorney, Agent, or Firm* — Fredrikson & Byron, P.A.

(22) Filed: **Oct. 15, 2013**

(57) **CLAIM**

(30) **Foreign Application Priority Data**

We claim the ornamental design for a seating for a transport vehicle, as shown and described.

Apr. 15, 2013 (EM) ..... 002220285

**DESCRIPTION**

(51) **LOC (10) Cl.** ..... **06-01**

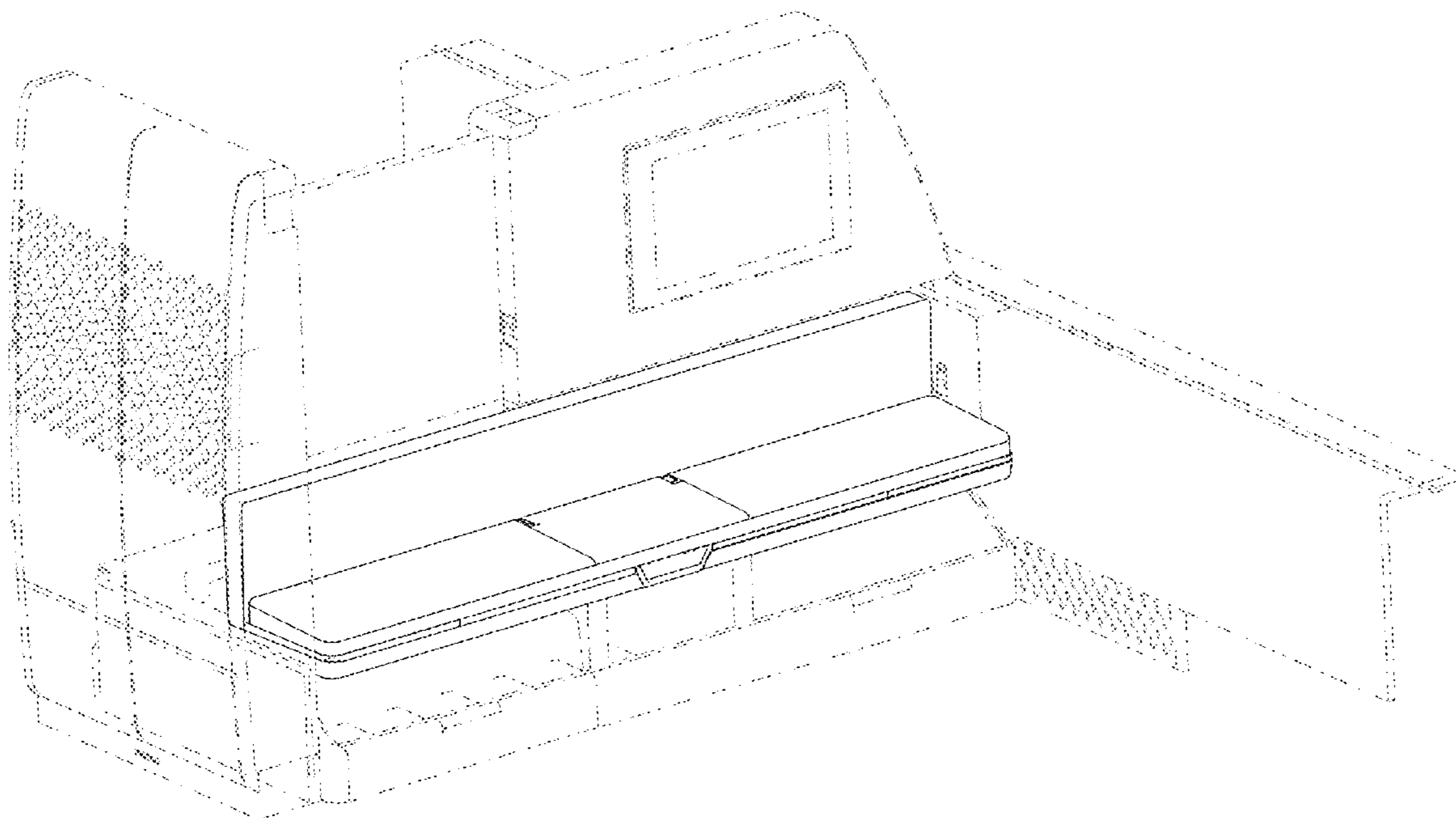
(52) **U.S. Cl.**  
USPC ..... **D6/356**

(58) **Field of Classification Search**  
CPC ..... A47C 1/00; A47C 11/06; A47C 17/16;  
B60N 2/70; B64D 11/00  
USPC ..... D6/334-336, 356, 367, 371, 373, 374,  
D6/381, 716, 716.1, 716.2, 716.3, 716.4;  
297/232, 452.34, 452.35, 452.48;  
5/12.1

FIG. 1 is a top perspective of our new design for a seating for a transport vehicle;  
FIG. 2 is another top perspective view thereof;  
FIG. 3 is a top view thereof;  
FIG. 4 is a front view thereof;  
FIG. 5 is a rear view thereof;  
FIG. 6 is a left side view thereof; and,  
FIG. 7 is a right side view thereof.  
The broken lines form no part of the claimed design.

See application file for complete search history.

**1 Claim, 7 Drawing Sheets**



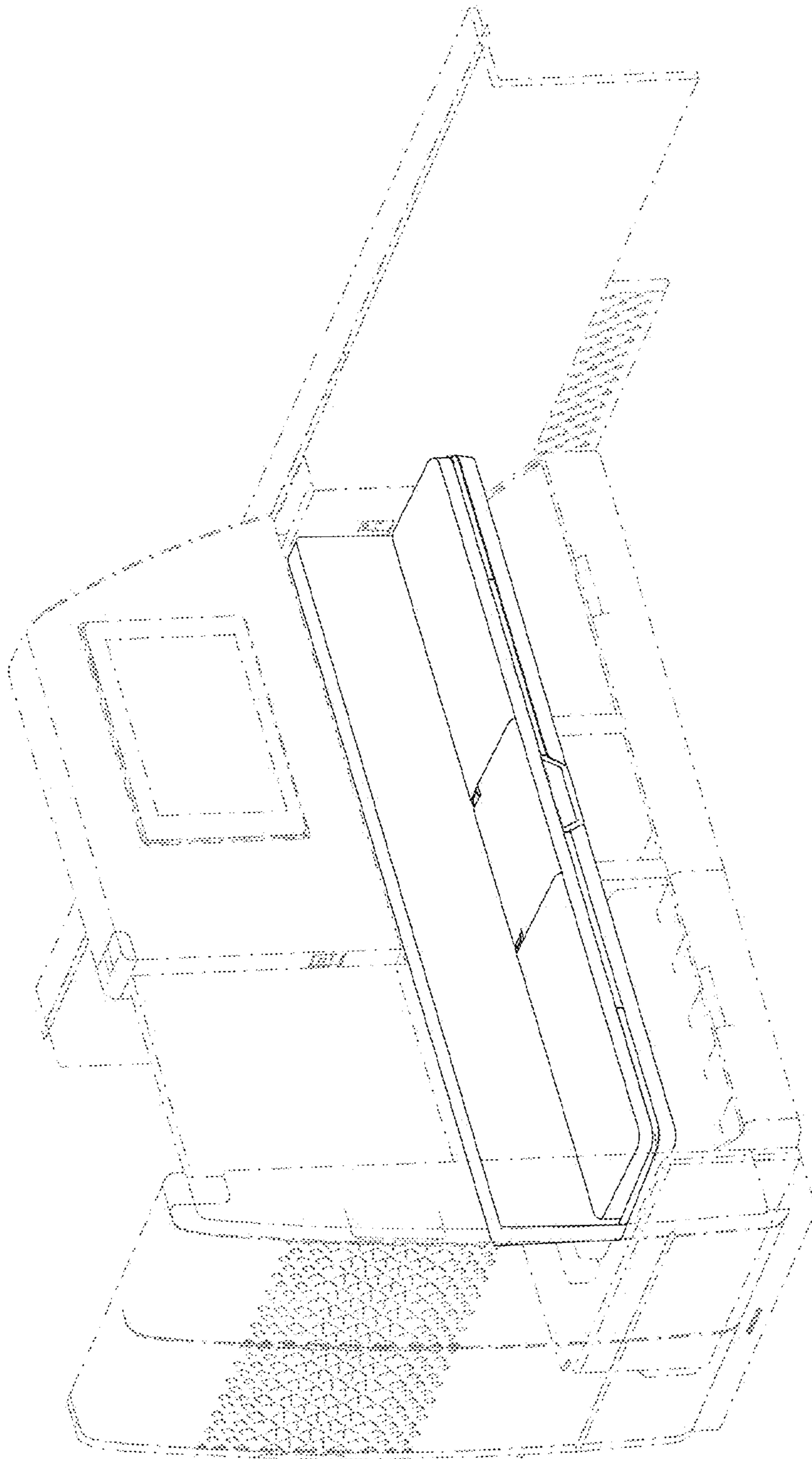


FIG. 1

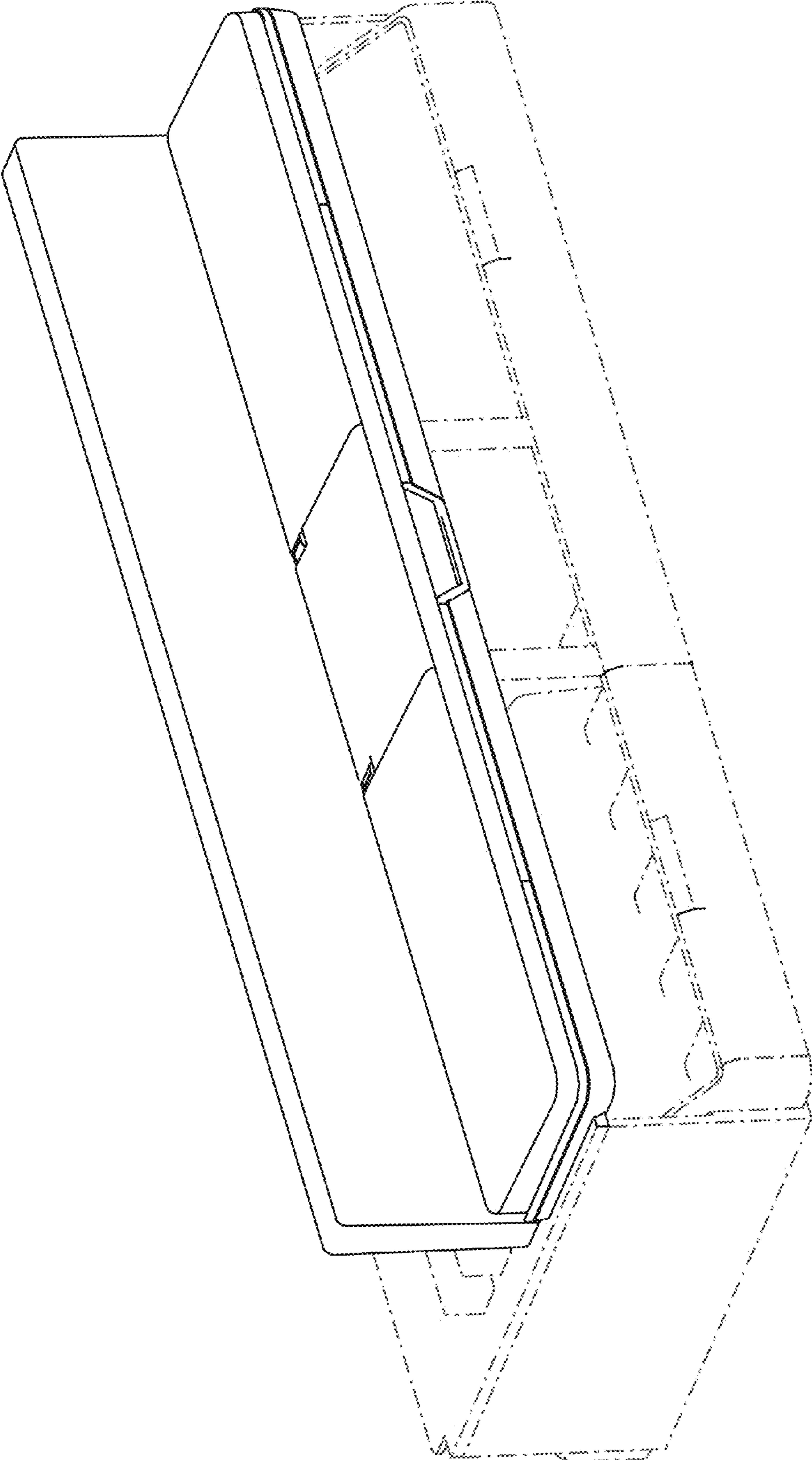


FIG. 2

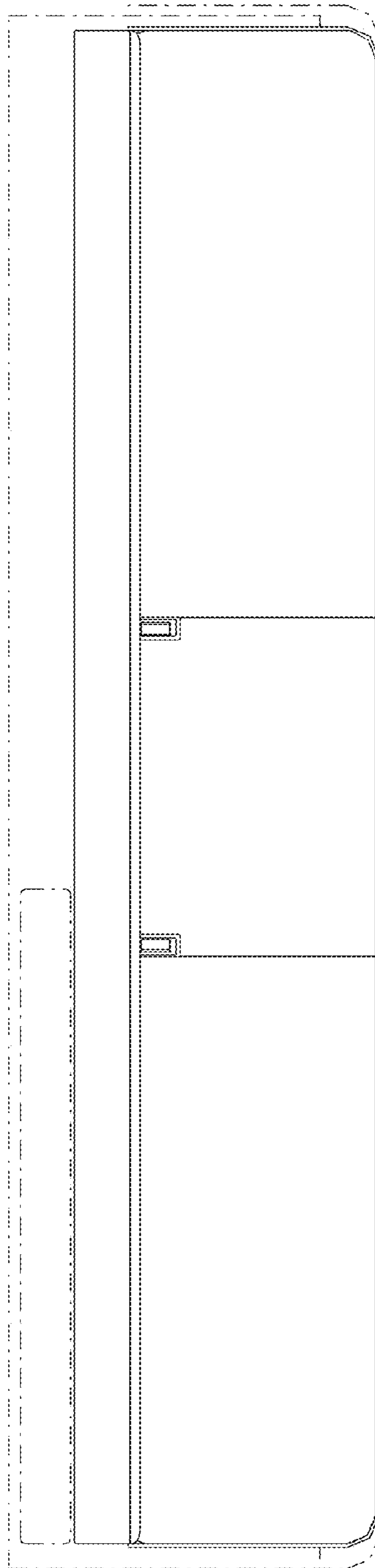


Fig. 3

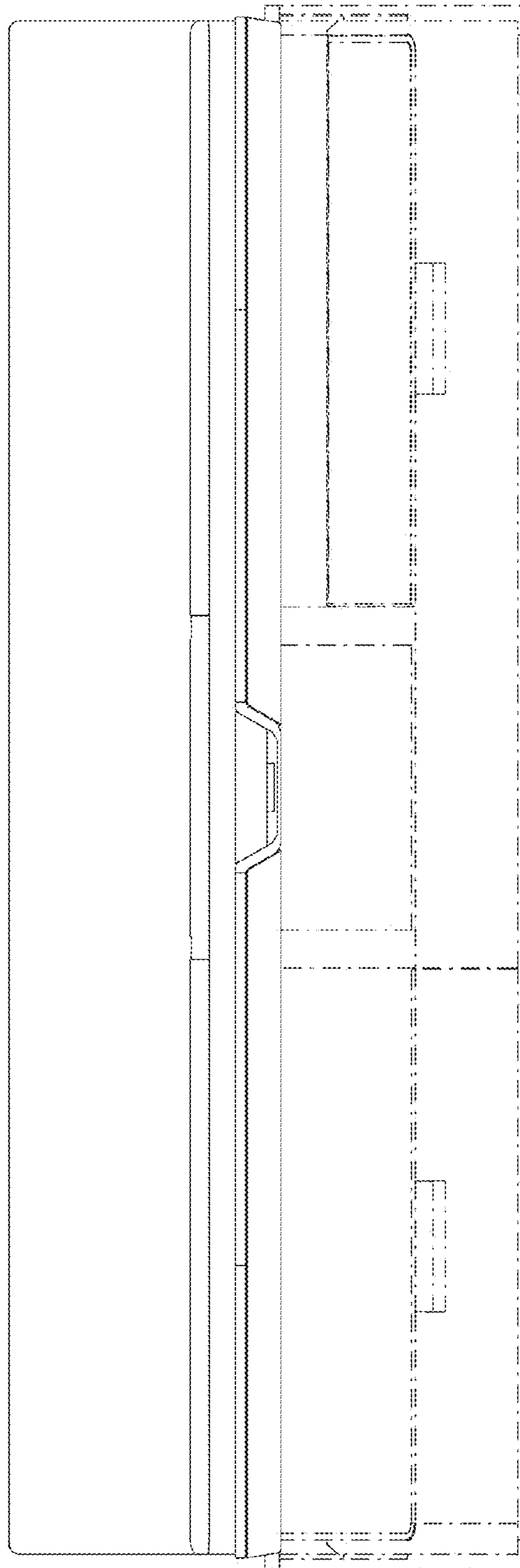


Fig. 4

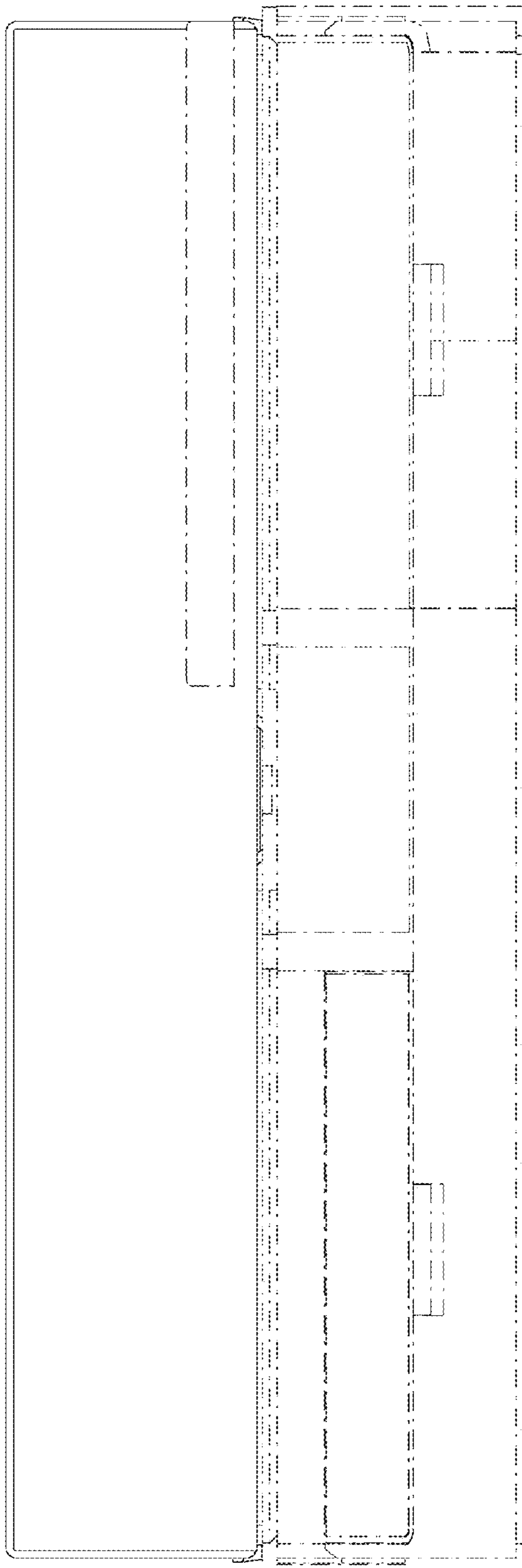


Fig. 5

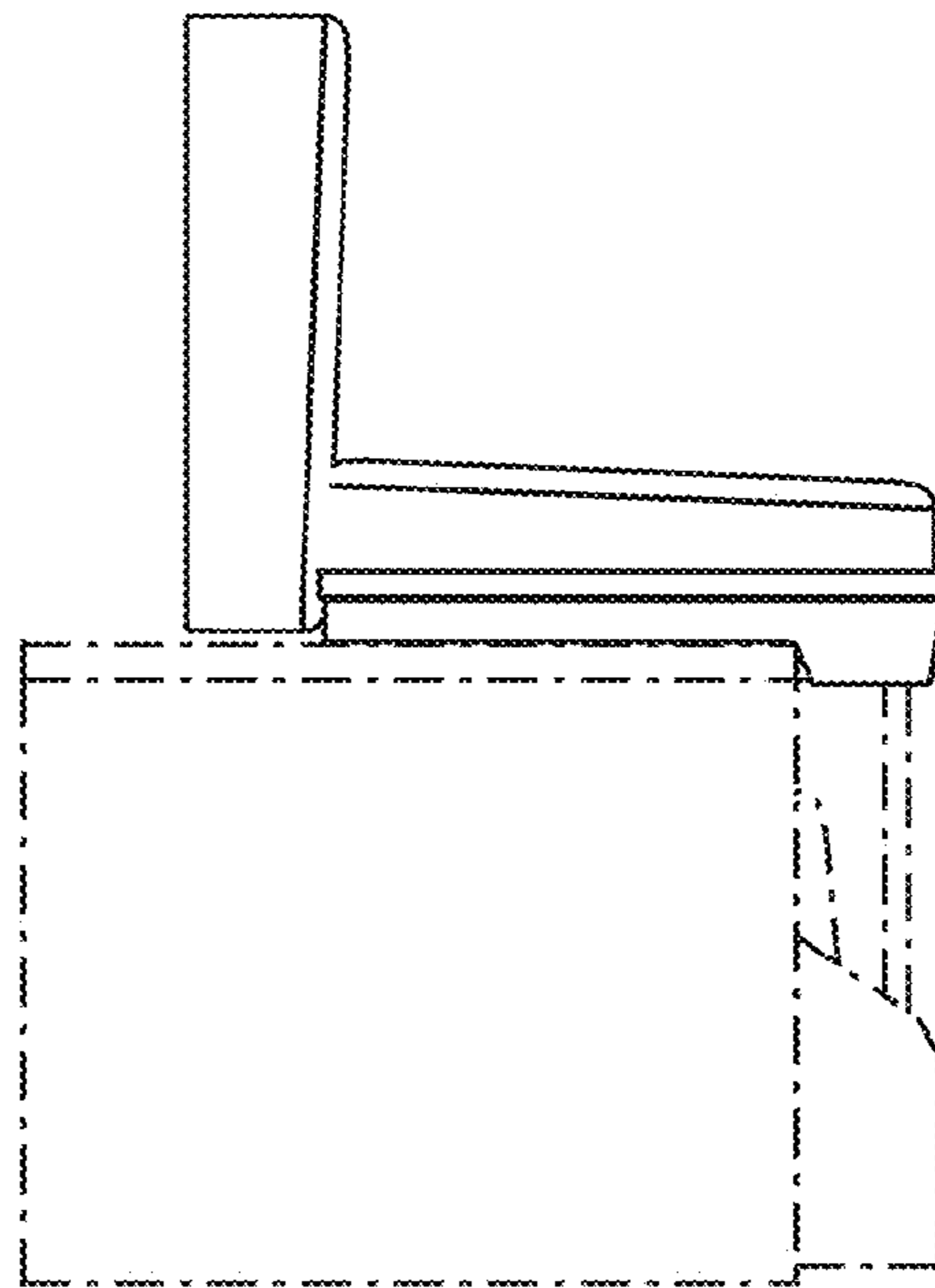


Fig. 6

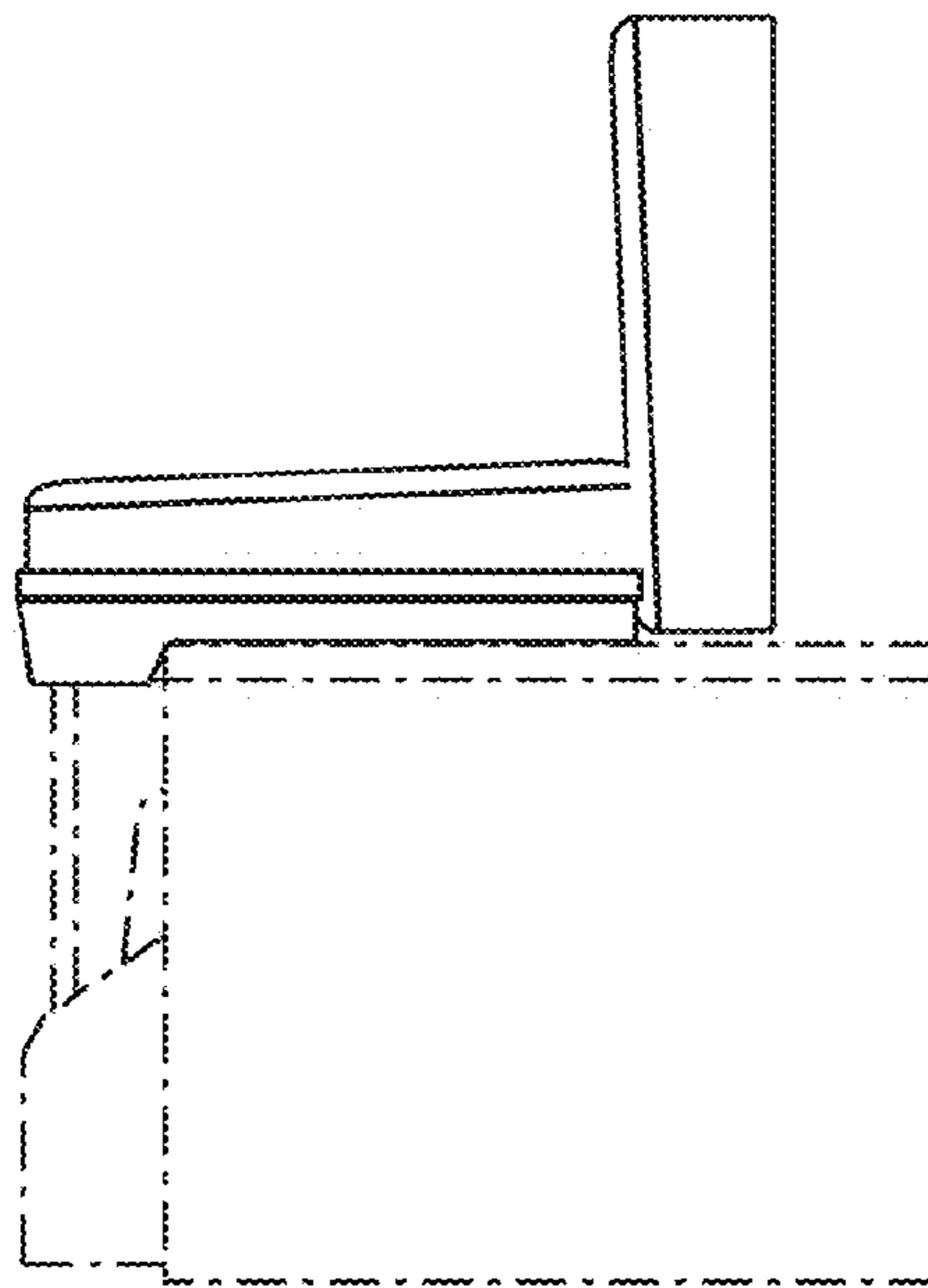


Fig. 7