



US00D724314S

(12) **United States Design Patent**
Faifer

(10) **Patent No.:** **US D724,314 S**
(45) **Date of Patent:** **** Mar. 17, 2015**

(54) **HOLSTER PADDLE**

(71) Applicant: **Sagi Faifer**, Mishmar Hashiva (IL)

(72) Inventor: **Sagi Faifer**, Mishmar Hashiva (IL)

(**) Term: **14 Years**

(21) Appl. No.: **29/483,816**

(22) Filed: **Mar. 3, 2014**

(51) **LOC (10) Cl.** **03-01**

(52) **U.S. Cl.**
USPC **D3/222**

(58) **Field of Classification Search**
USPC D3/222–223, 228; 224/192–193, 198,
224/243–244, 676–677, 679, 911–912
See application file for complete search history.

(56) **References Cited**

U.S. PATENT DOCUMENTS

D568,043 S *	5/2008	Zusman	D3/222
D603,159 S *	11/2009	Zusman	D3/222
D603,160 S *	11/2009	Zusman	D3/222
D653,848 S *	2/2012	Alstrom et al.	D3/222

* cited by examiner

Primary Examiner — Catheri Oliver-Garcia

(74) *Attorney, Agent, or Firm* — Law Office of Arthur M. Antonelli, PLLC

(57) **CLAIM**

The ornamental design for a holster paddle, as shown and described.

DESCRIPTION

FIG. 1 is a rear, top perspective view of a holster paddle in accordance with my new design;
 FIG. 2 is a front, top perspective view of the holster paddle of FIG. 1;
 FIG. 3 is a front view of the holster paddle of FIG. 1;
 FIG. 4 is a left side view of the holster paddle of FIG. 1;
 FIG. 5 is a rear view of the holster paddle of FIG. 1;
 FIG. 6 is a right side view of the holster paddle of FIG. 1;
 FIG. 7 is a top view of the holster paddle of FIG. 1;
 FIG. 8 is a bottom view of the holster paddle of FIG. 1;
 FIG. 9 is a bottom, rear perspective view of the holster paddle of FIG. 1; and,
 FIG. 10 is a top, rear perspective view of the holster paddle of FIG. 1.
 All portions shown in broken lines are environmental and illustrative only and form no part of the claimed design.

1 Claim, 5 Drawing Sheets

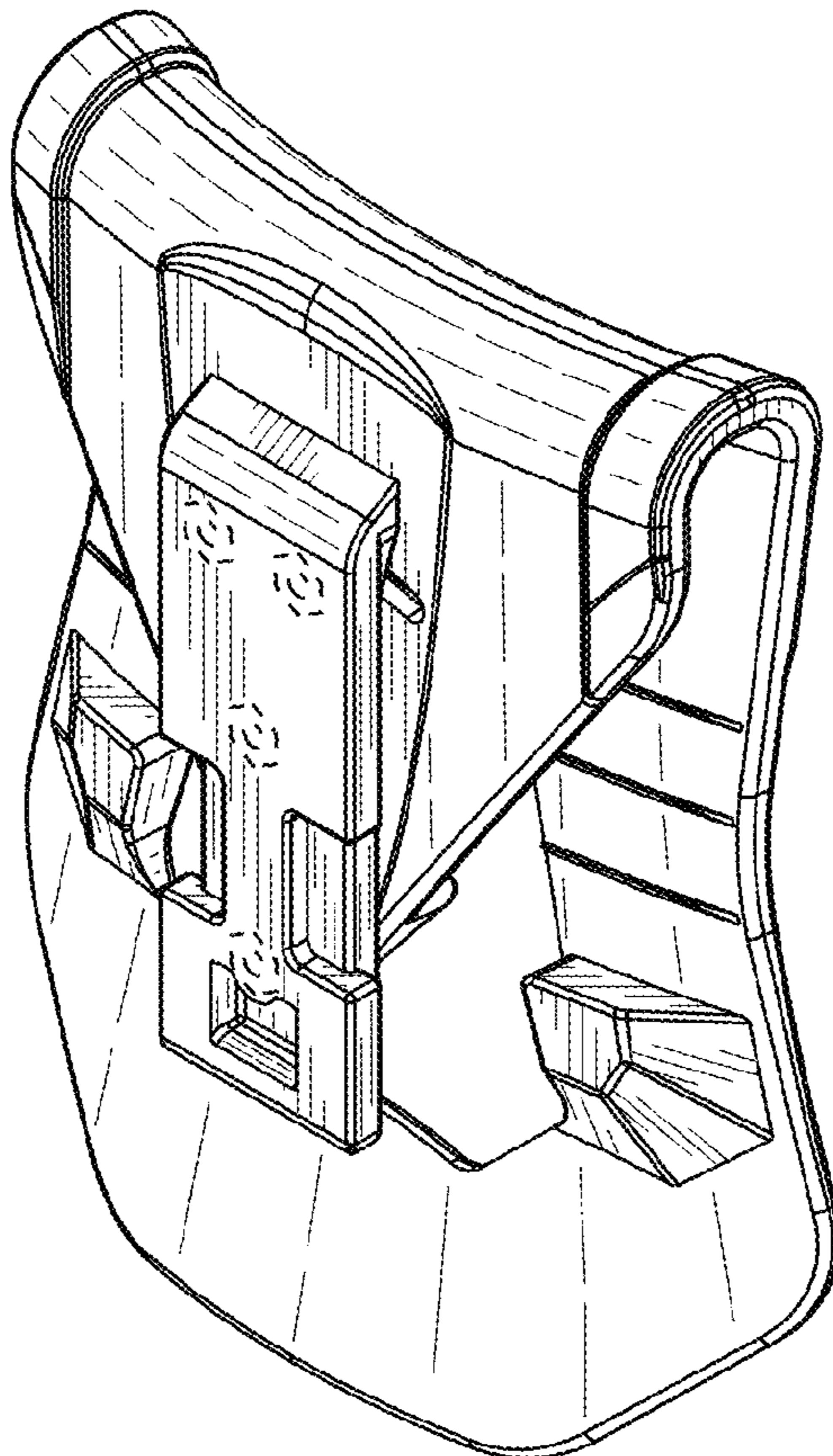


FIG. 1

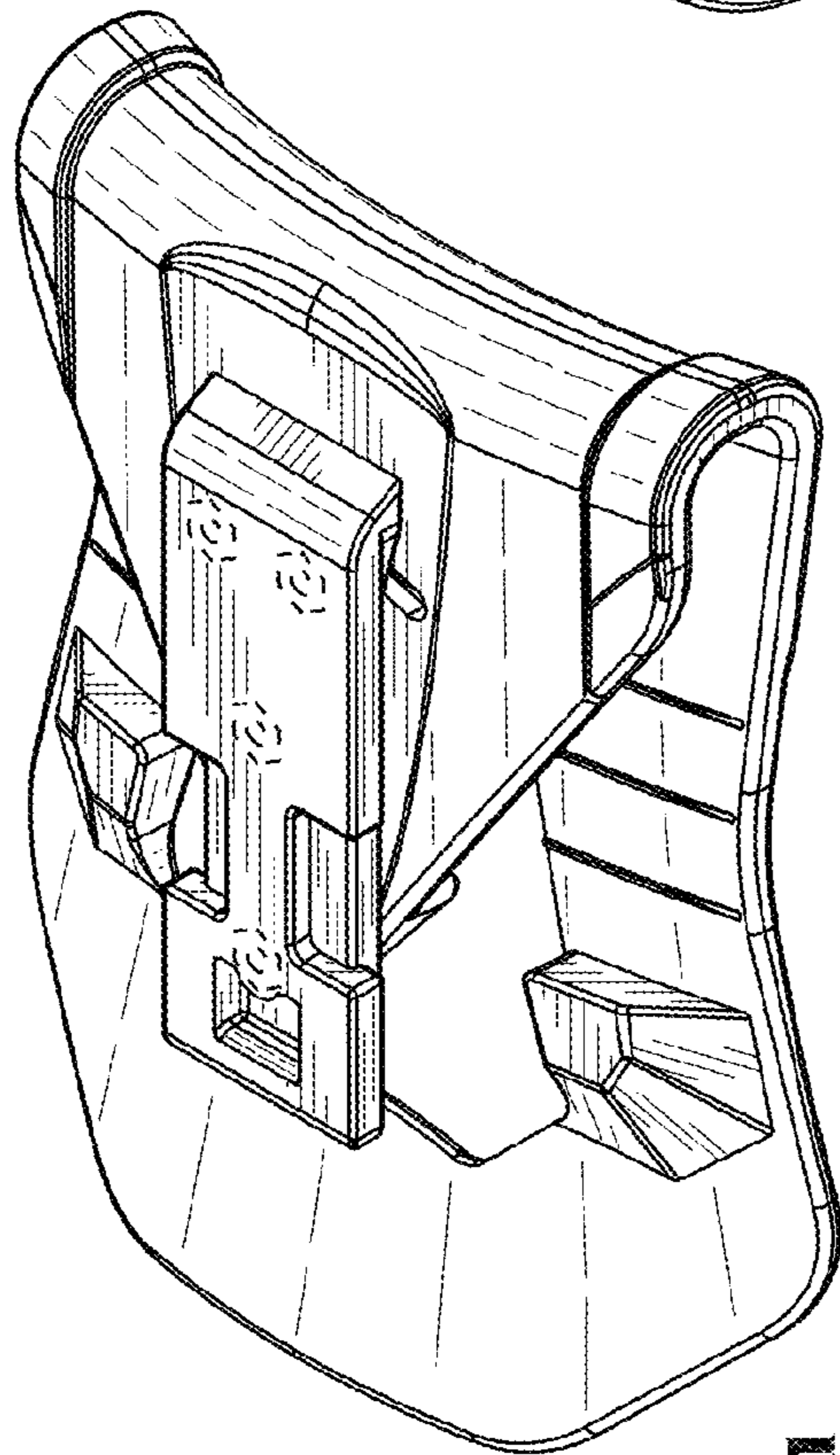
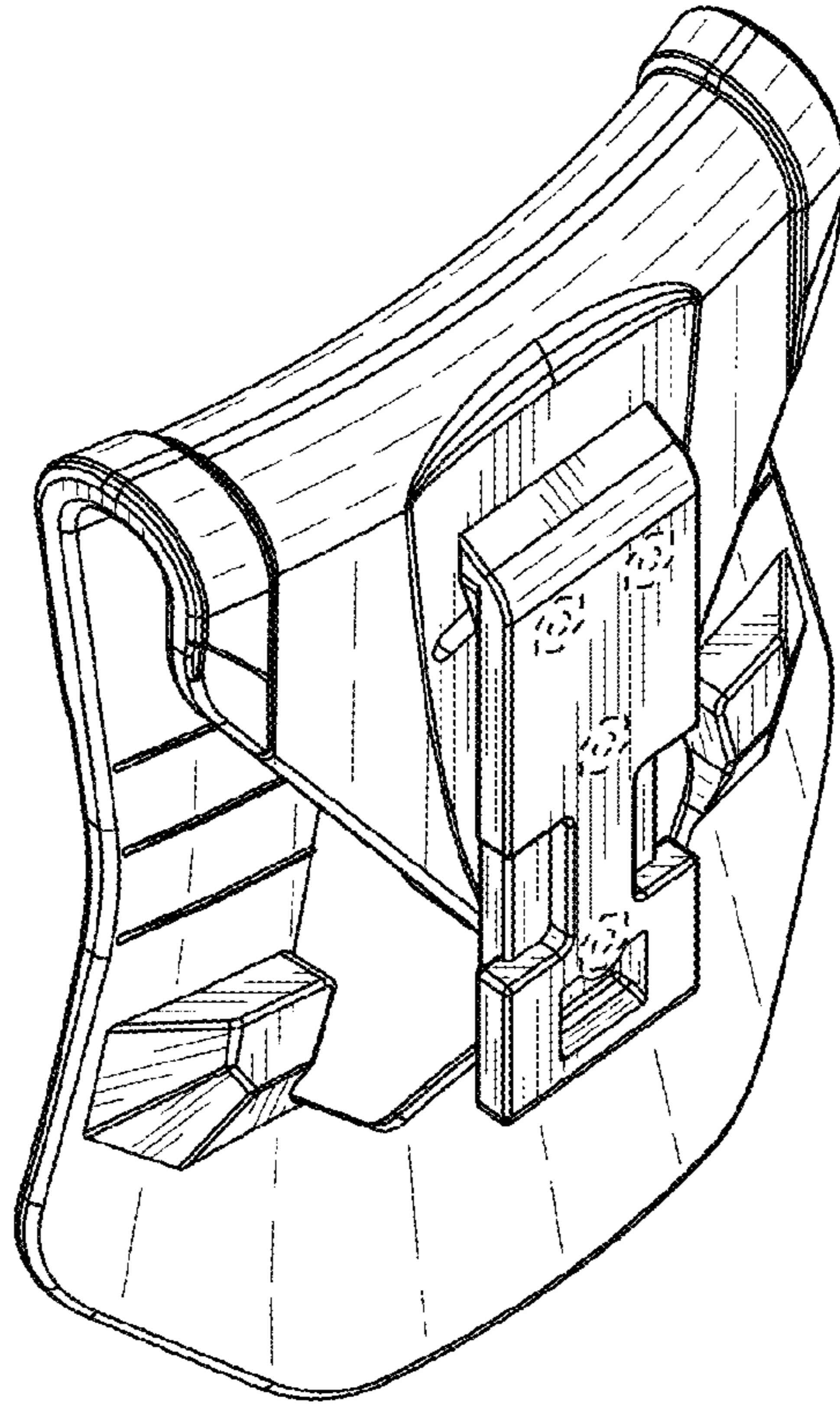


FIG. 2

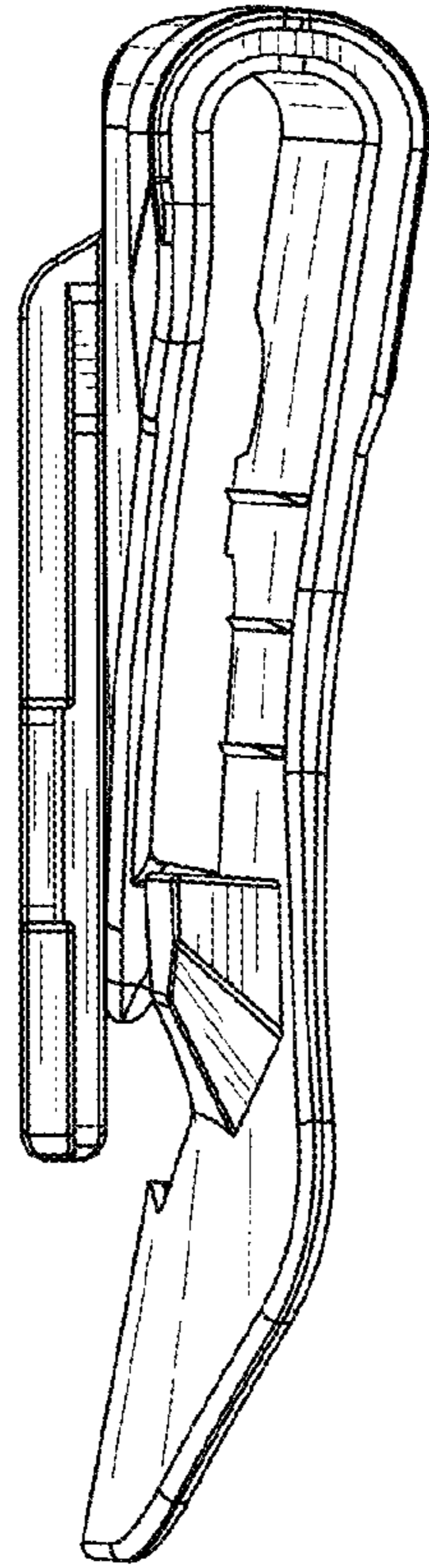


FIG. 3

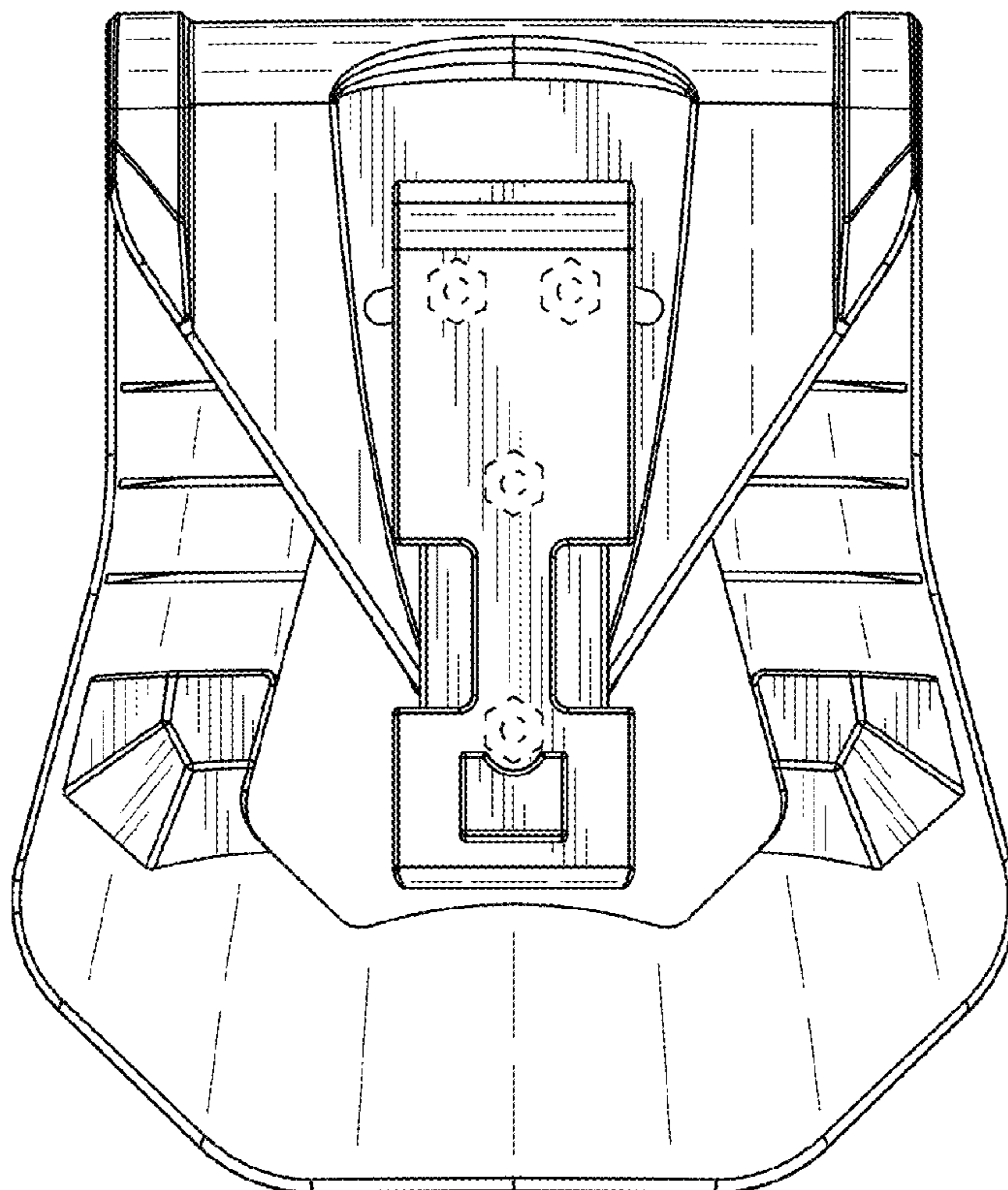


FIG. 4

FIG. 5

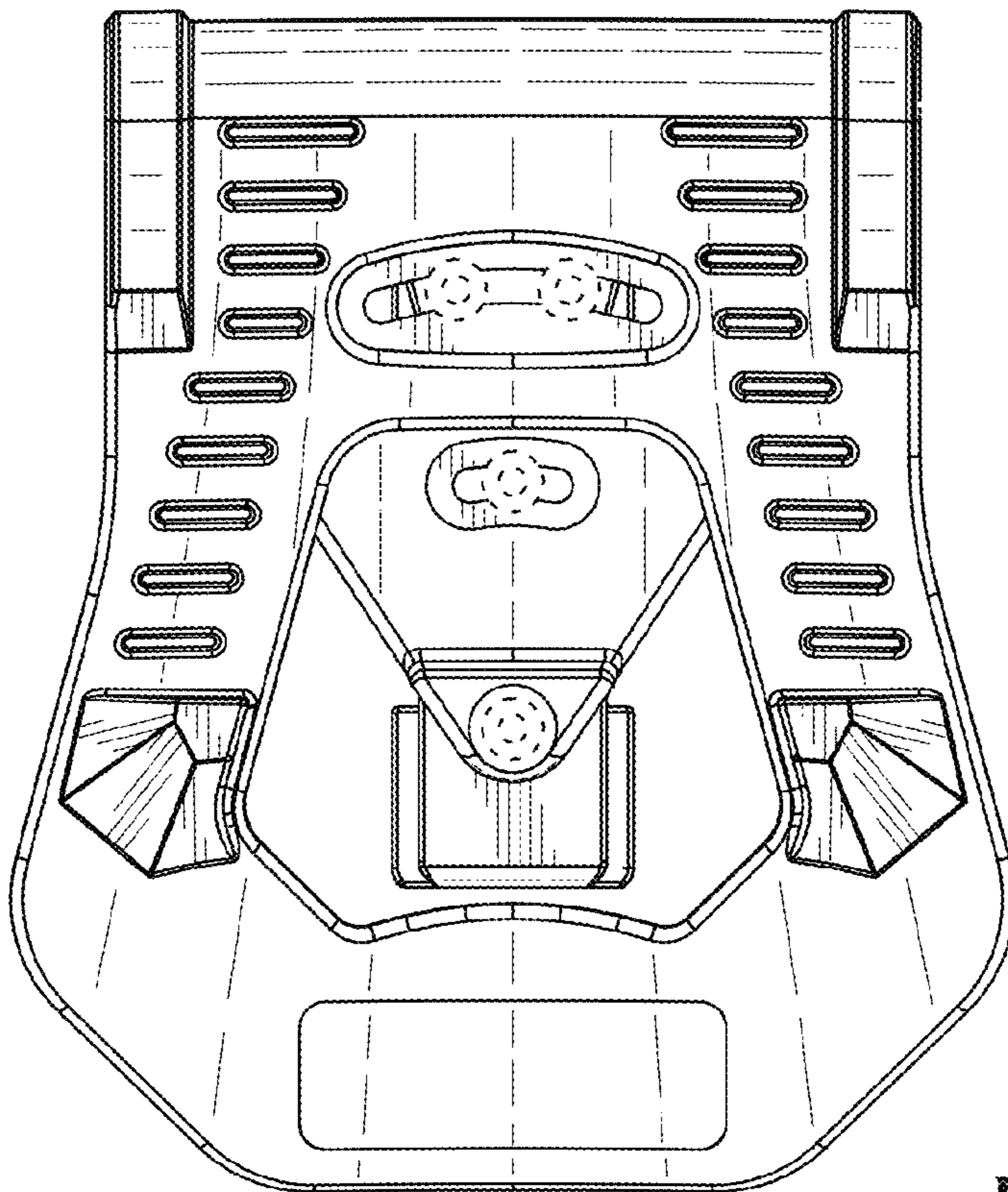
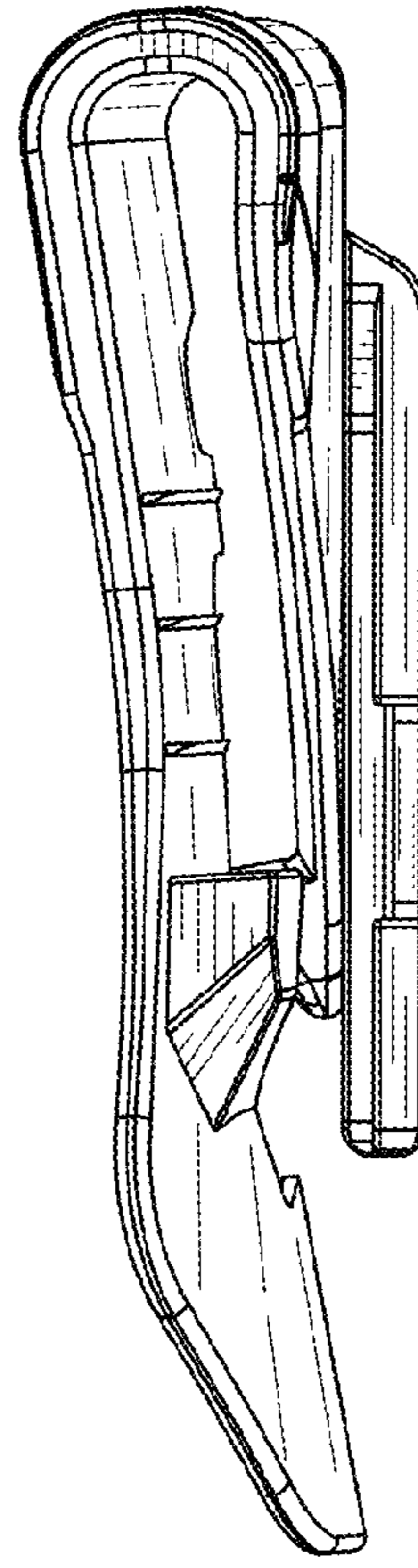


FIG. 6

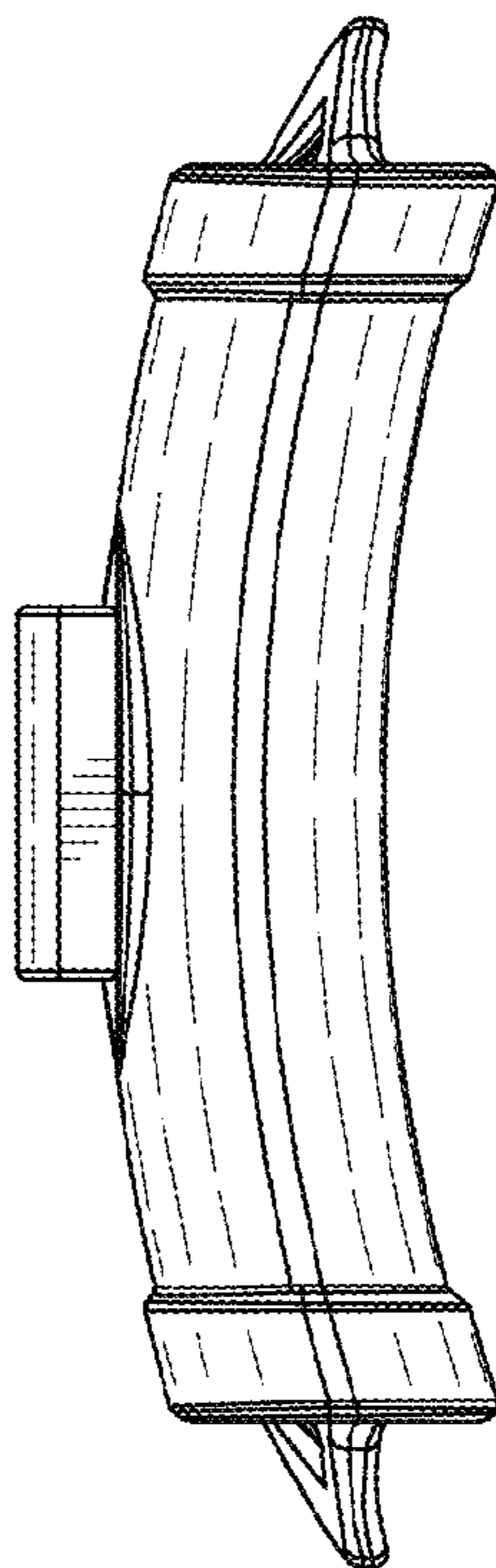


FIG. 7

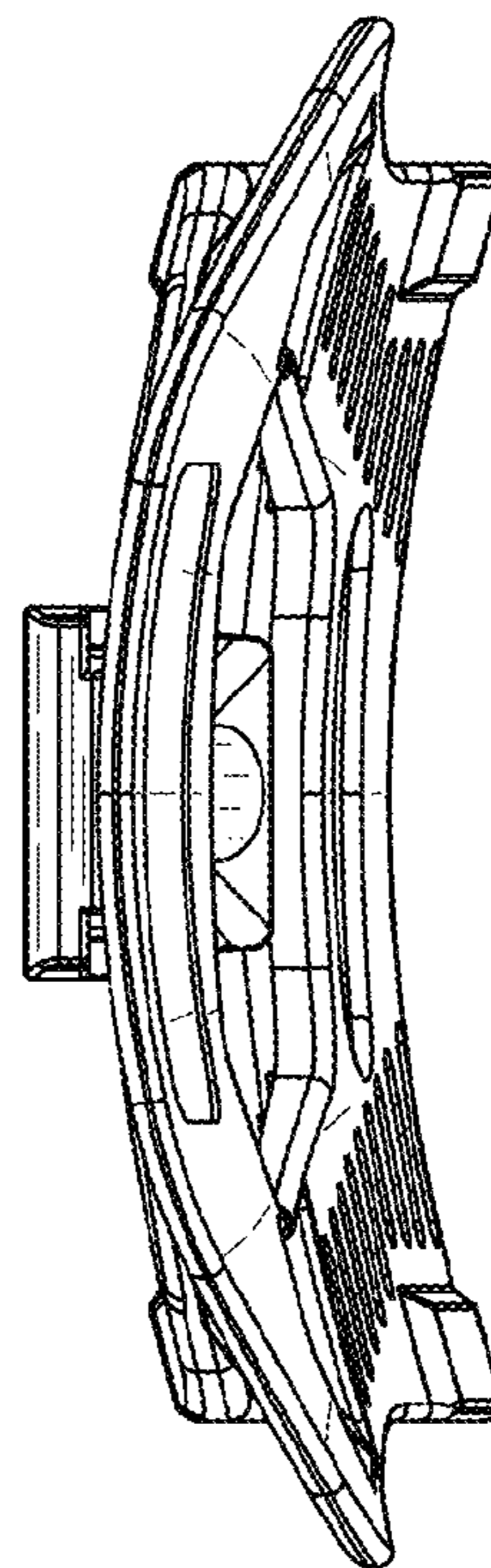


FIG. 8

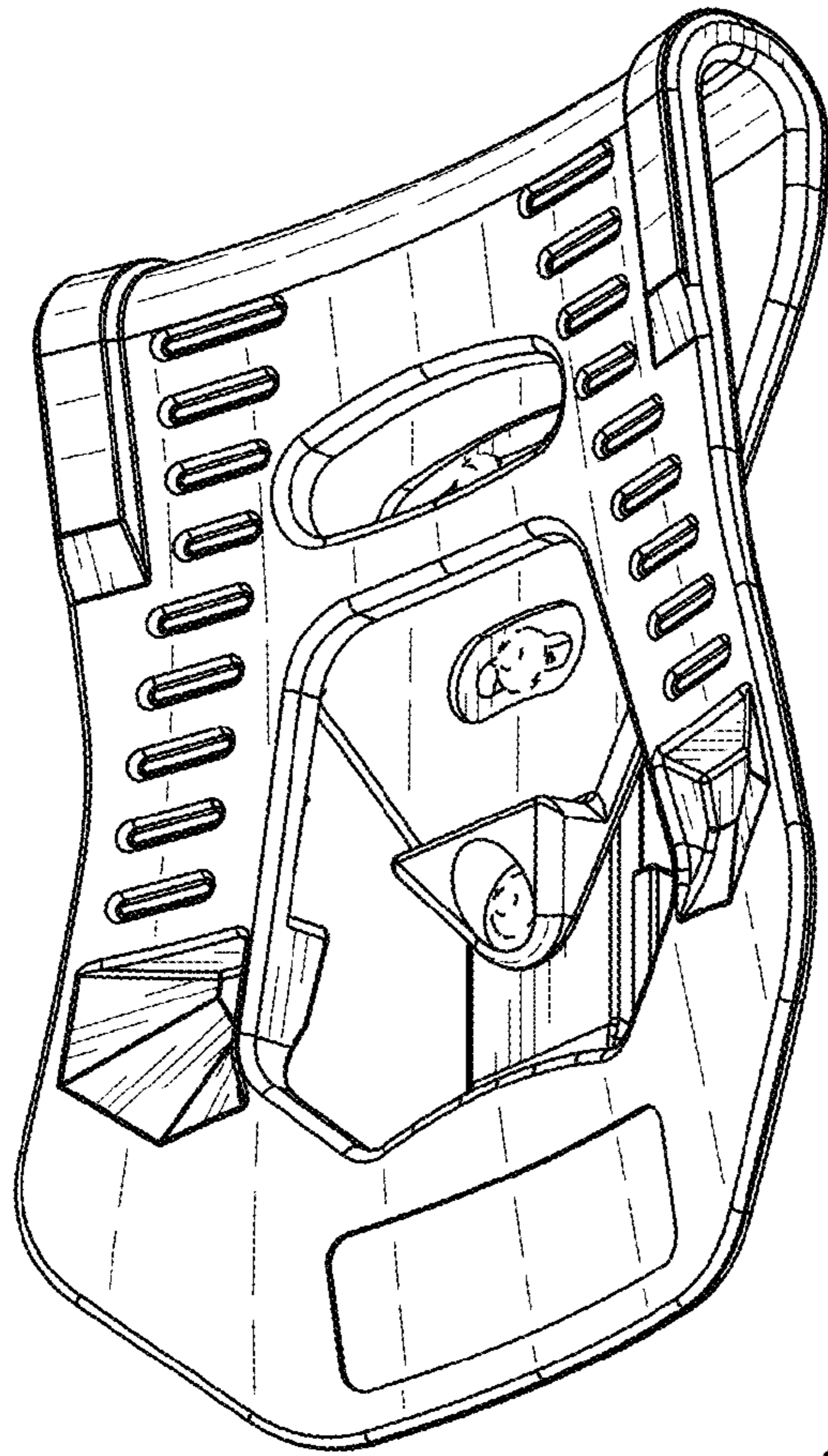


FIG. 9

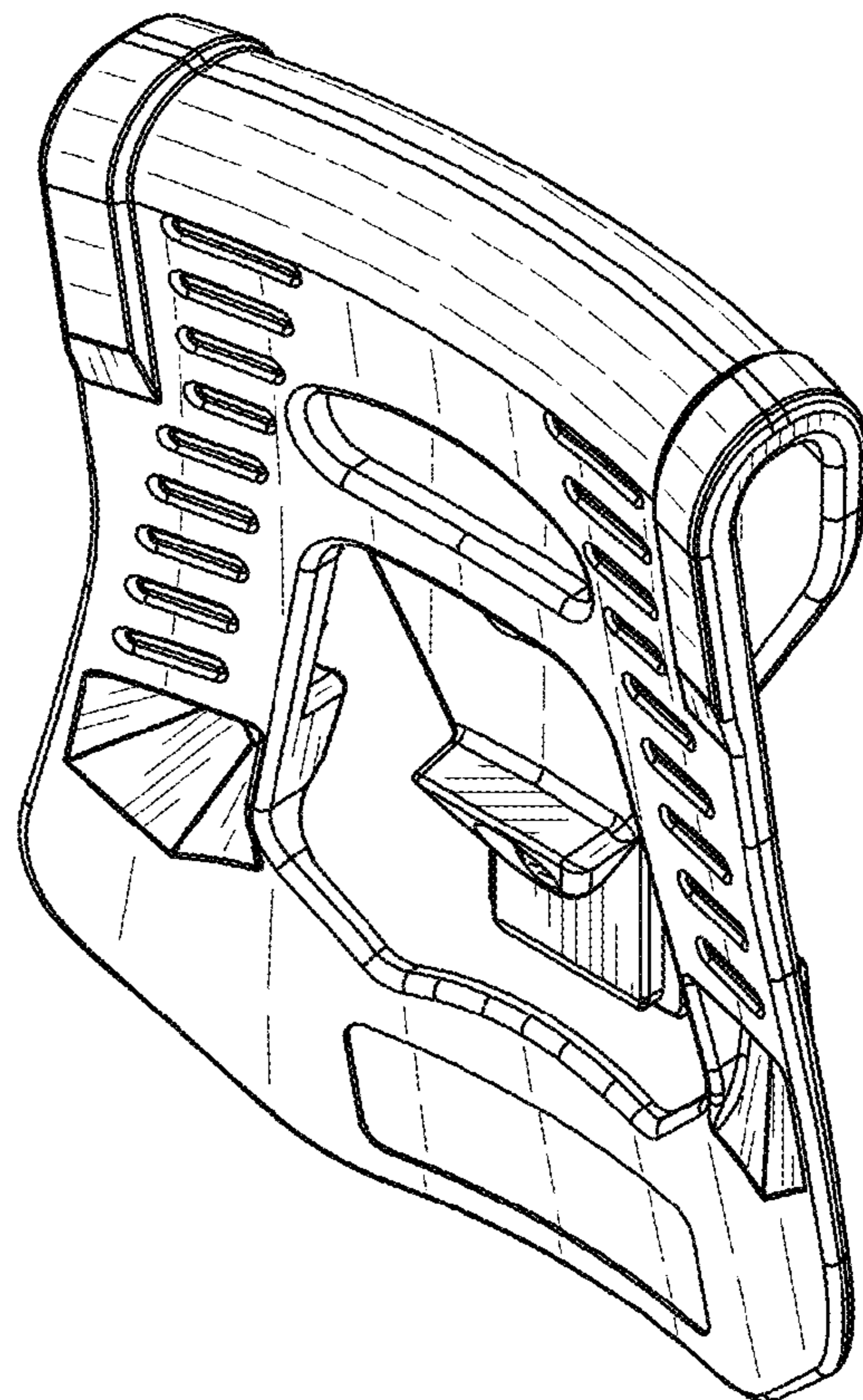


FIG. 10