

US00D724313S

(12) **United States Design Patent**
Surabian et al.

(10) **Patent No.:** **US D724,313 S**

(45) **Date of Patent:** **** Mar. 17, 2015**

(54) **KNIFE CASE**

(56) **References Cited**

(71) Applicants: **Richard Surabian**, West Hyannisport,
MA (US); **Steven Surabian**, West
Hyannisport, MA (US)

U.S. PATENT DOCUMENTS

3,008,617 A * 11/1961 Villwock 224/183
5,211,322 A * 5/1993 Nealy 224/232
D671,311 S * 11/2012 Bloch D3/220

(72) Inventors: **Richard Surabian**, West Hyannisport,
MA (US); **Steven Surabian**, West
Hyannisport, MA (US)

* cited by examiner

Primary Examiner — Catheri Oliver-Garcia
(74) *Attorney, Agent, or Firm* — Bay State IP, LLC

(**) Term: **14 Years**

(57) **CLAIM**
We claim the ornamental design for a knife case, as shown
and described.

(21) Appl. No.: **29/490,703**

DESCRIPTION

(22) Filed: **May 13, 2014**

FIG. 1 is a front perspective view showing my design;
FIG. 2 is a front perspective view showing the design in an
environment;
FIG. 3 is a front view thereof;
FIG. 4 is a rear view thereof;
FIG. 5 is a top view thereof;
FIG. 6 is a bottom view thereof;
FIG. 7 is a side view thereof; and,
FIG. 8 is a side view thereof.

(51) **LOC (10) Cl.** **03-01**

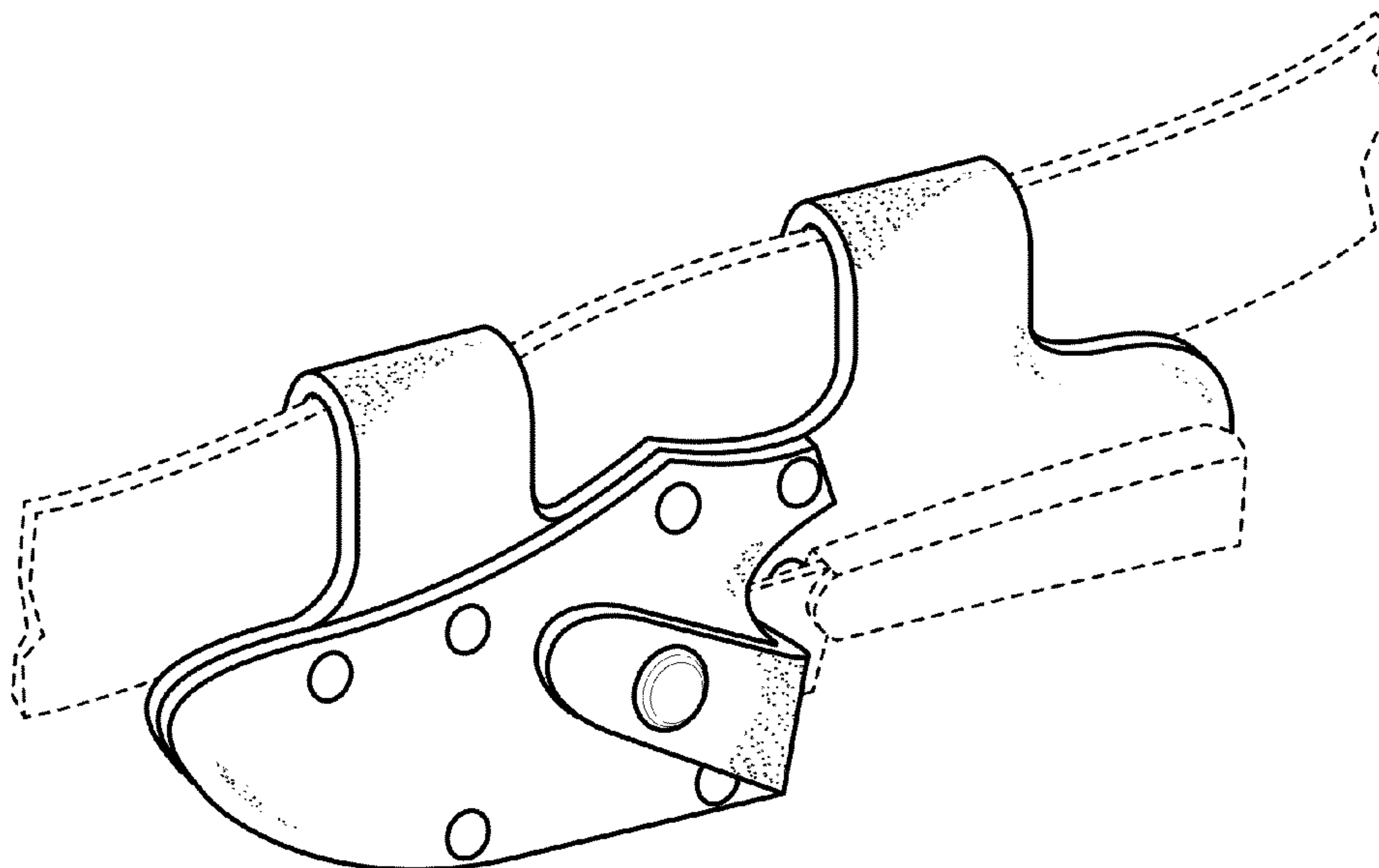
(52) **U.S. Cl.**
USPC **D3/220**

(58) **Field of Classification Search**
USPC D3/220, 228; 30/151; 224/183, 193,
224/230, 232, 243, 674, 676-677, 576, 581,
224/911

The broken line showing of a belt and knife in the drawings is
included for the purpose of illustrating only and forms no part
of the claimed design.

See application file for complete search history.

1 Claim, 3 Drawing Sheets



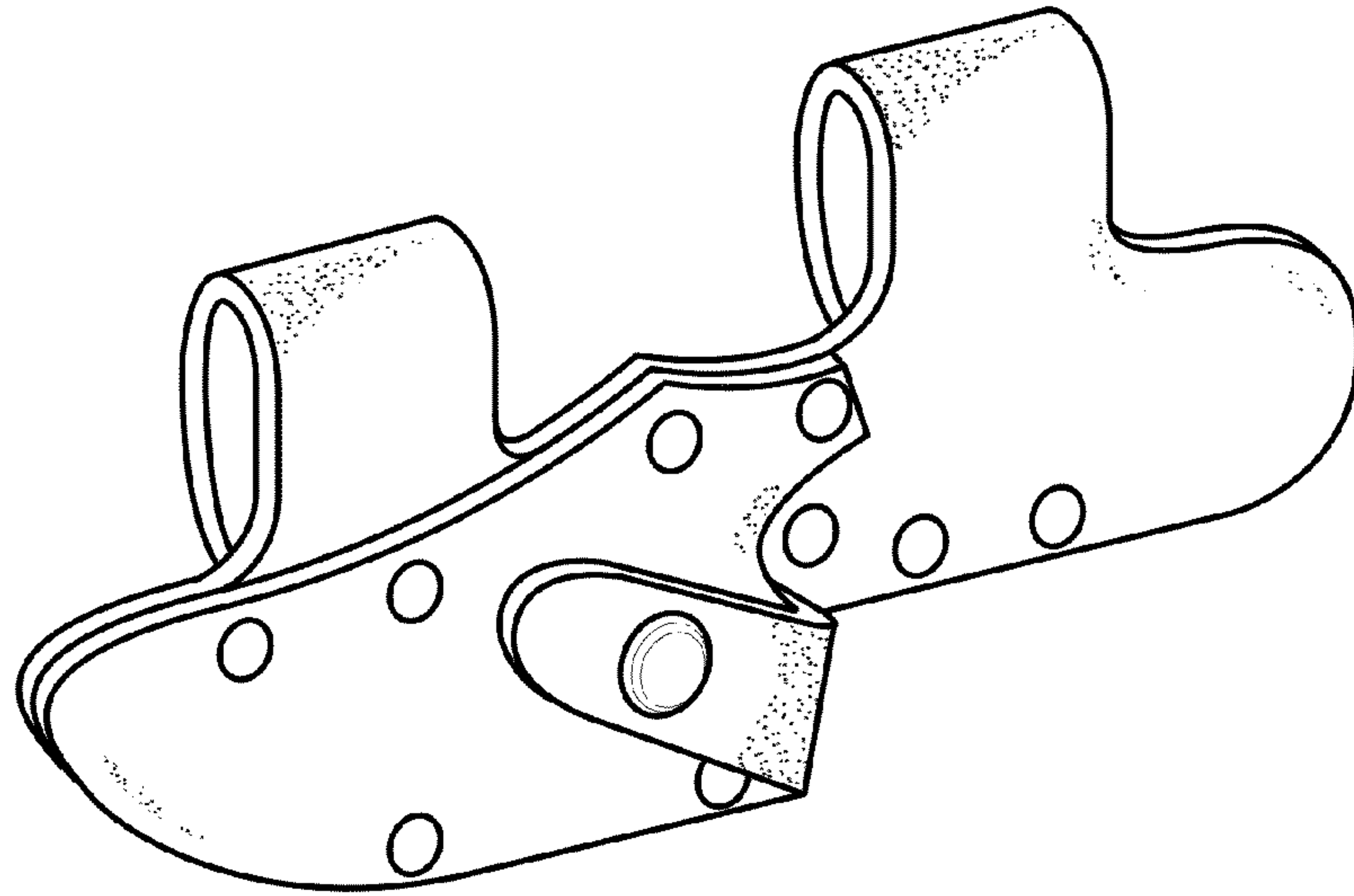


Fig. 1

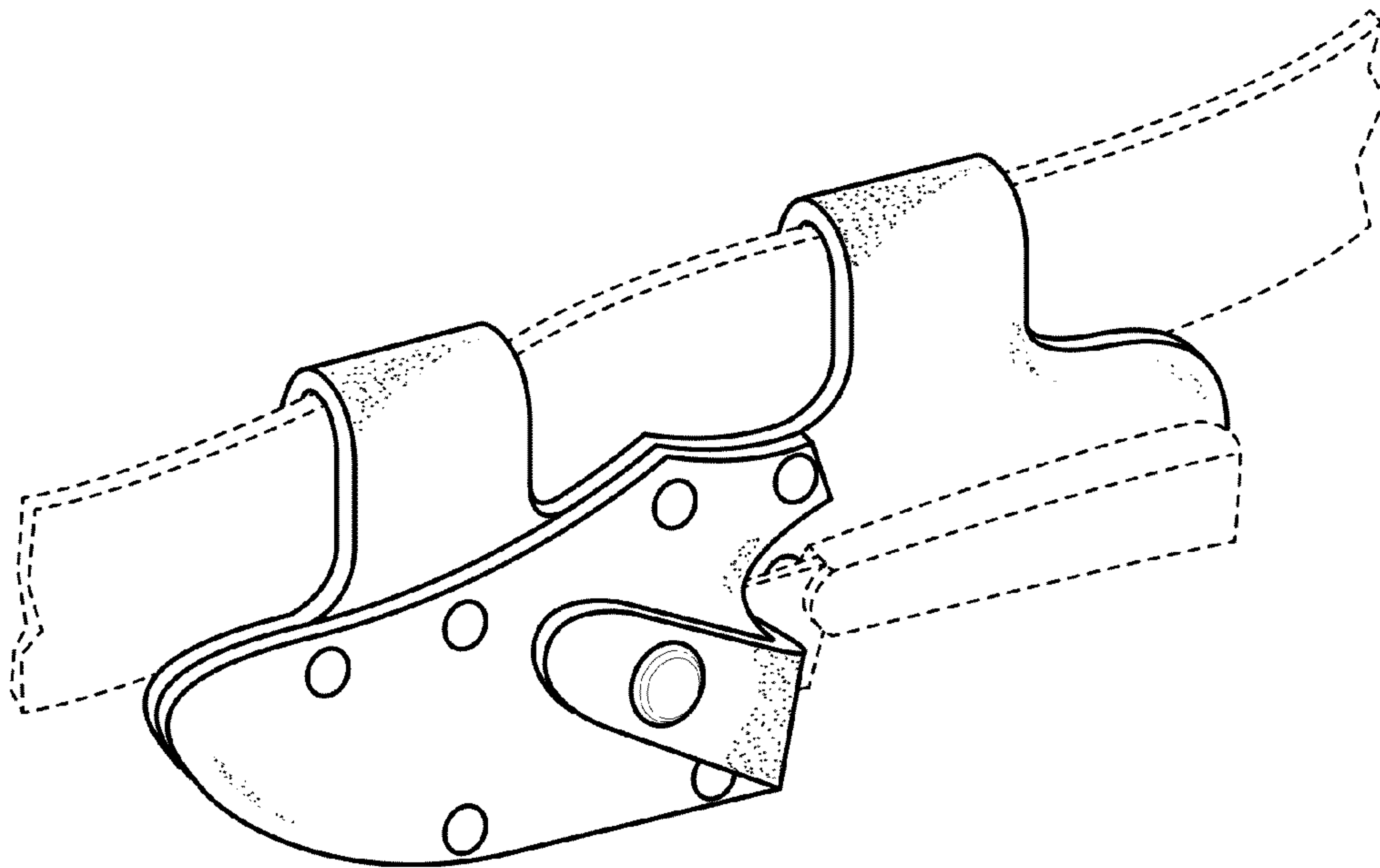


Fig. 2

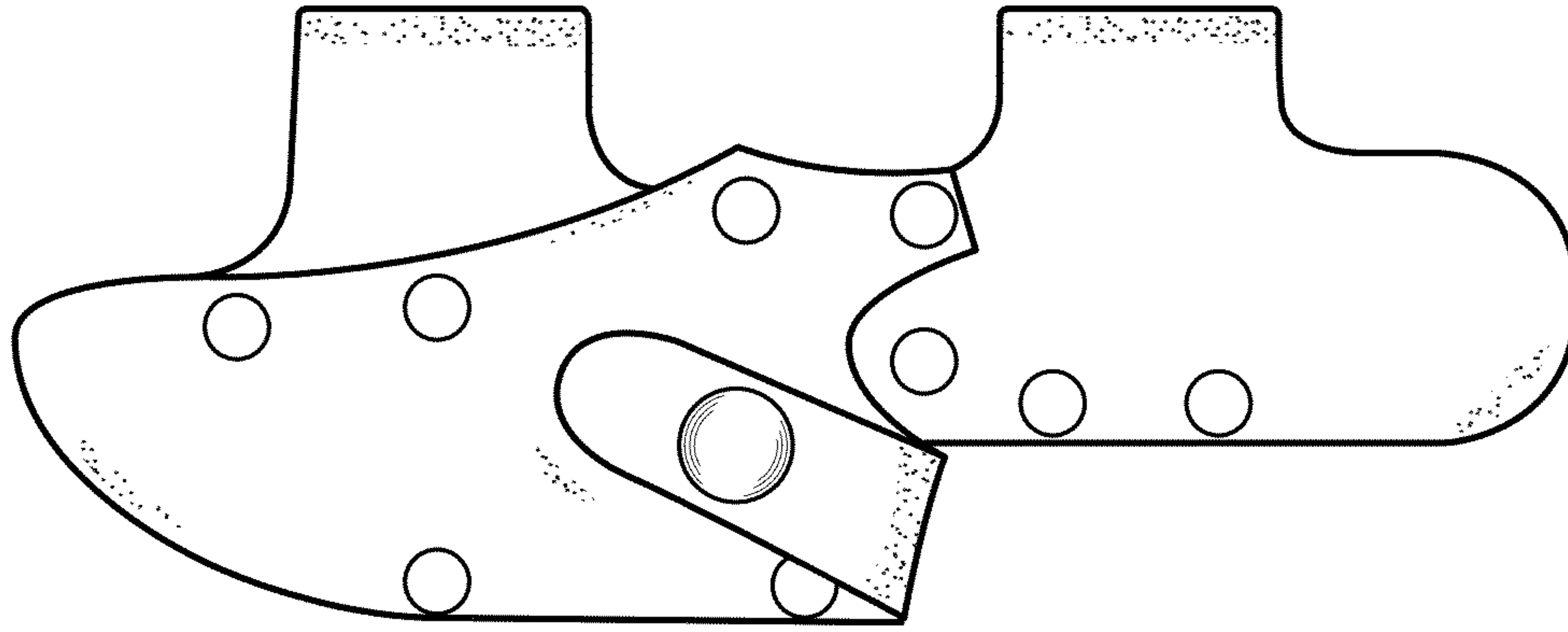


Fig. 3

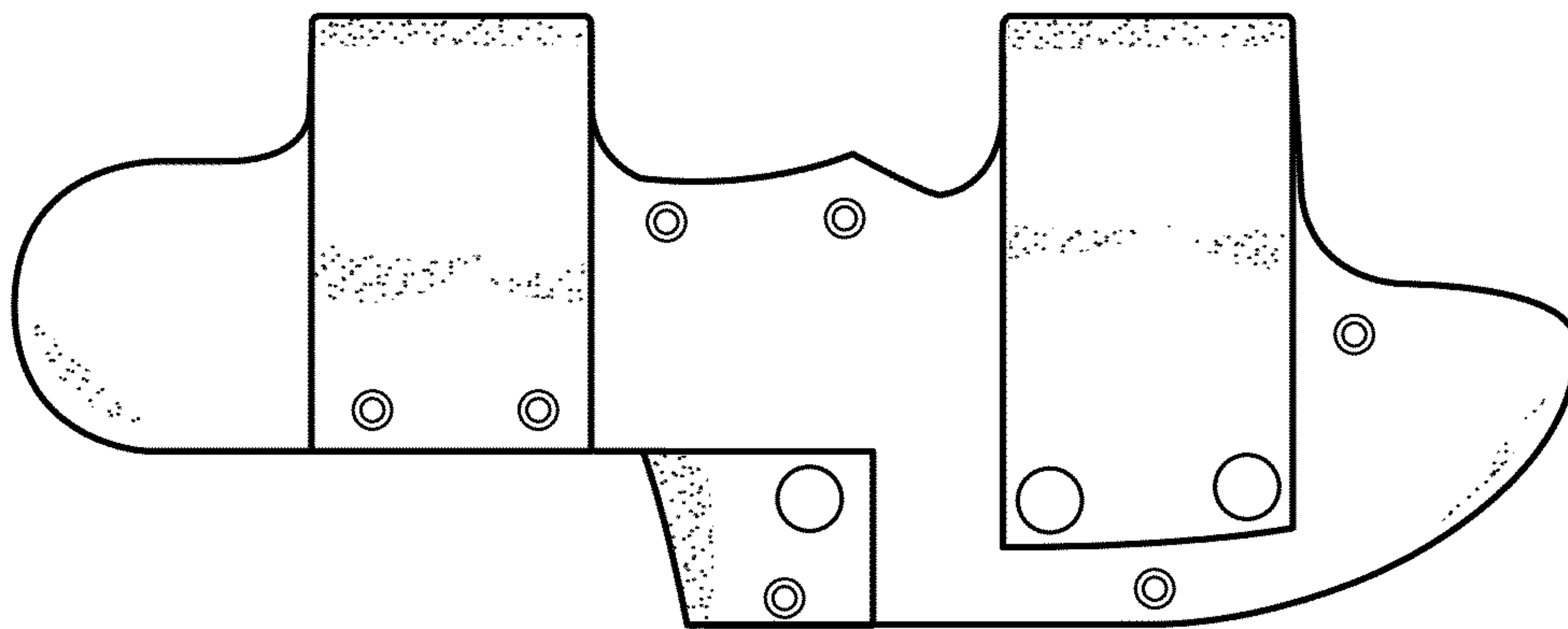


Fig. 4

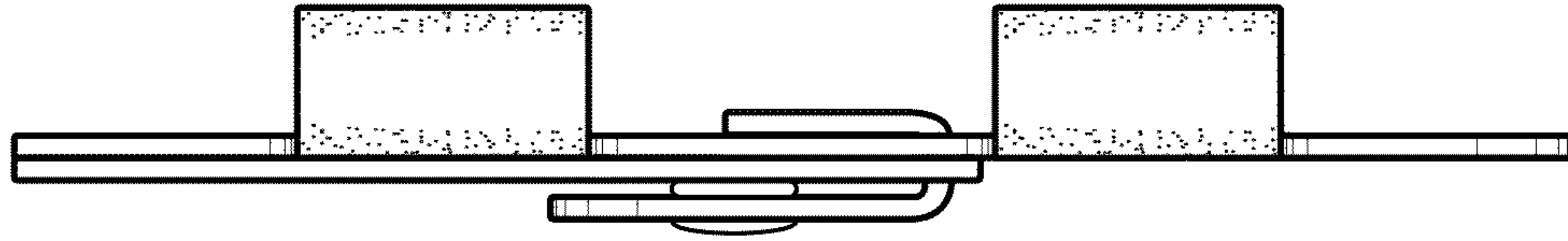


Fig. 5

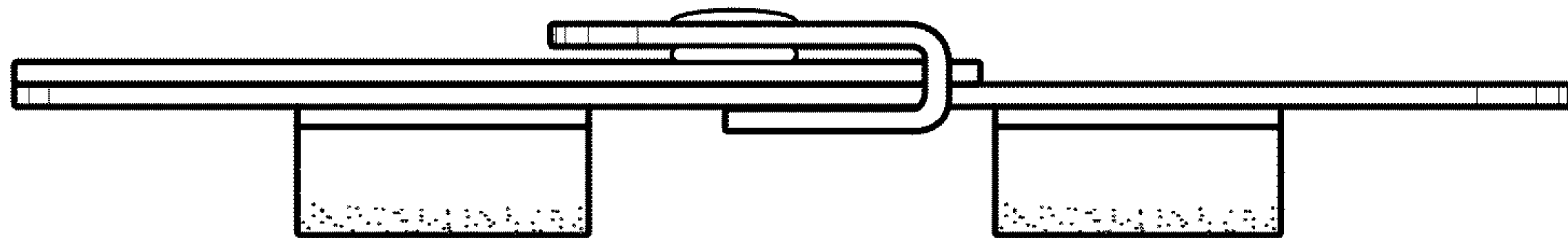


Fig. 6

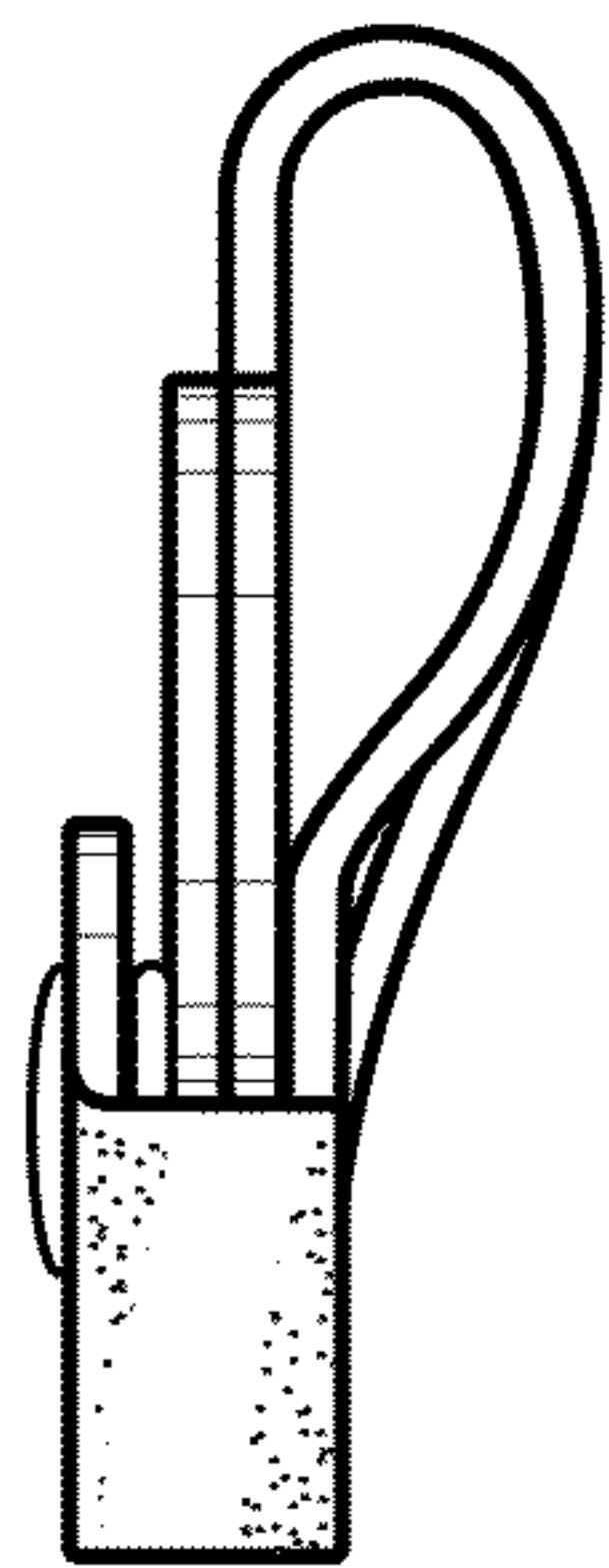


Fig. 7

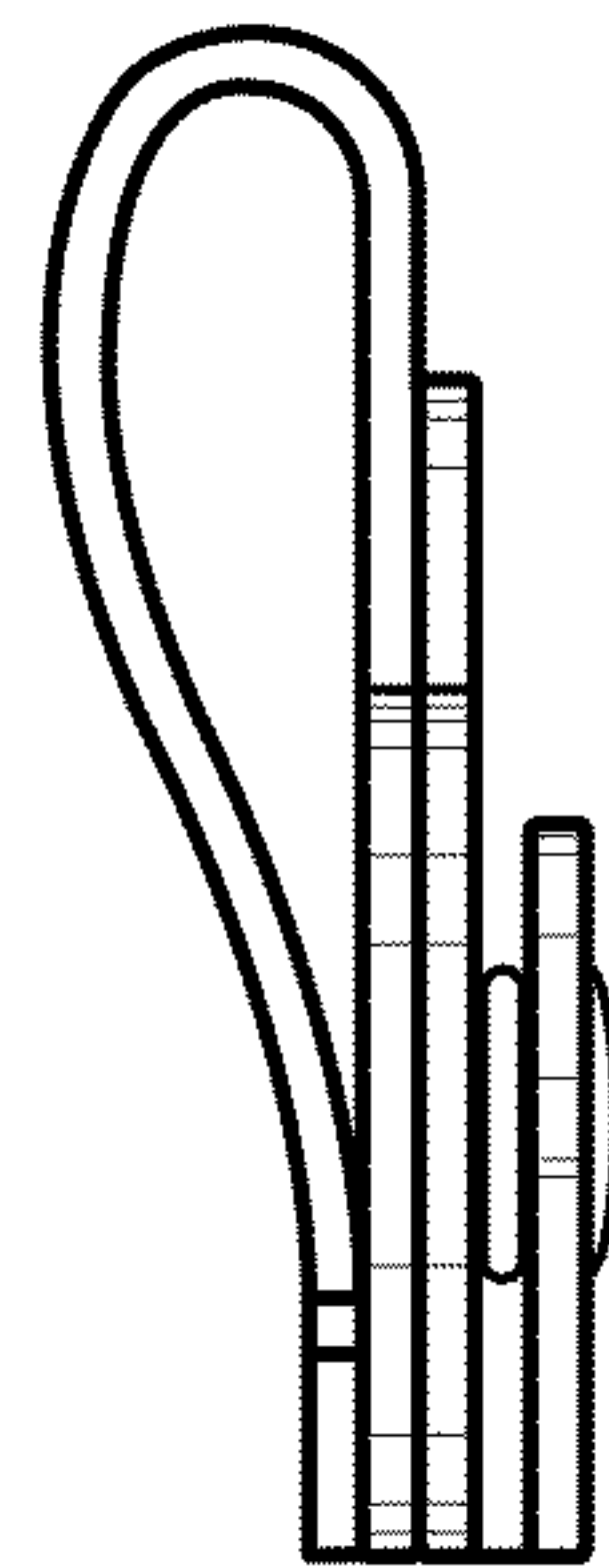


Fig. 8