



US00D724312S

(12) **United States Design Patent**
Wikström et al.

(10) **Patent No.:** **US D724,312 S**
(45) **Date of Patent:** **** Mar. 17, 2015**

(54) **KNIFE SHEATH**

D476,394 S * 6/2003 Trbovich, Jr. D22/118
6,840,416 B2 * 1/2005 Aberman 224/232
D672,549 S * 12/2012 McLean D3/220

(71) Applicant: **Mora of Sweden AB**, Mora (SE)

* cited by examiner

(72) Inventors: **Roger Wikström**, Älvdalen (SE); **Petter Åstradsson**, Vaxholm (SE)

Primary Examiner — Catheri Oliver-Garcia

(73) Assignee: **Mora of Sweden AB**, Mora (SE)

(74) *Attorney, Agent, or Firm* — Dilworth & Barrese, LLP

(**) Term: **14 Years**

(57) **CLAIM**

The ornamental design for a knife sheath, as shown and described.

(21) Appl. No.: **29/486,862**

(22) Filed: **Apr. 3, 2014**

DESCRIPTION

(30) **Foreign Application Priority Data**

Oct. 3, 2013 (EM) 002319913

(51) **LOC (10) Cl.** **03-01**

(52) **U.S. Cl.**
USPC **D3/220**

(58) **Field of Classification Search**
USPC D3/220, 222–223; D22/118; 224/197,
224/232, 242, 245, 576, 624, 666, 674, 676
See application file for complete search history.

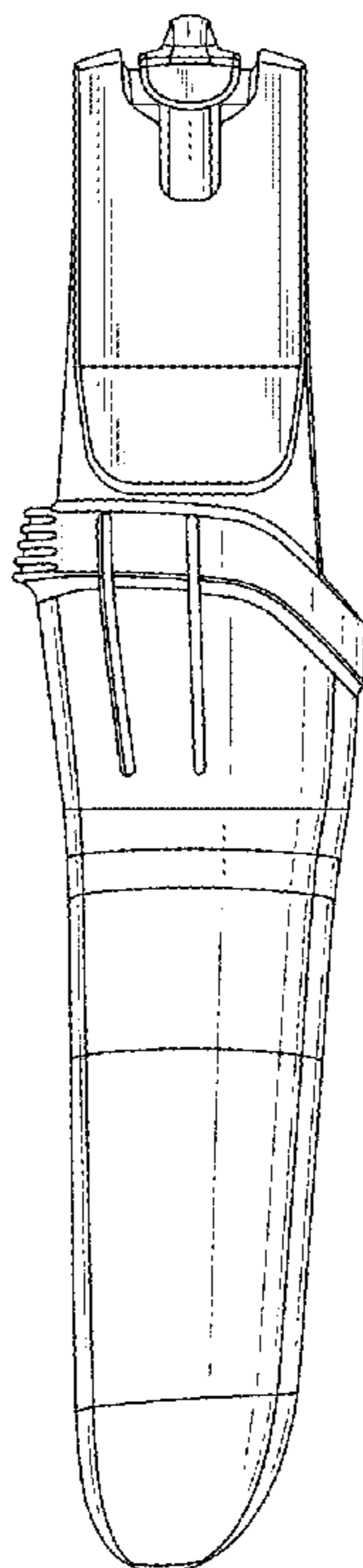
FIG. 1 is a right side perspective view from above of the knife sheath showing our new design;
FIG. 2 is a left side perspective view from below of the knife sheath of FIG. 1;
FIG. 3 is a front elevational view of the knife sheath of FIGS. 1 and 2;
FIG. 4 is a rear elevational view of the knife sheath of FIGS. 1-3;
FIG. 5 is a right side elevational view of the knife sheath of FIGS. 1-4;
FIG. 6 is a left side elevational view of the knife sheath of FIGS. 1-5;
FIG. 7 is a bottom plan view of the knife sheath of FIGS. 1-6; and,
FIG. 8 is a top plan view of the knife sheath of FIGS. 1-7.
The broken line showing of environment in the drawings is included for the purpose of illustrating only and forms no part of the claimed design.

(56) **References Cited**

U.S. PATENT DOCUMENTS

1,123,862 A * 1/1915 Ellery 224/232
2,650,008 A * 8/1953 Morseth 224/232
D289,913 S * 5/1987 Ader D22/118
5,031,810 A * 7/1991 Finn et al. 224/581
D378,243 S * 3/1997 Seber D3/220

1 Claim, 2 Drawing Sheets



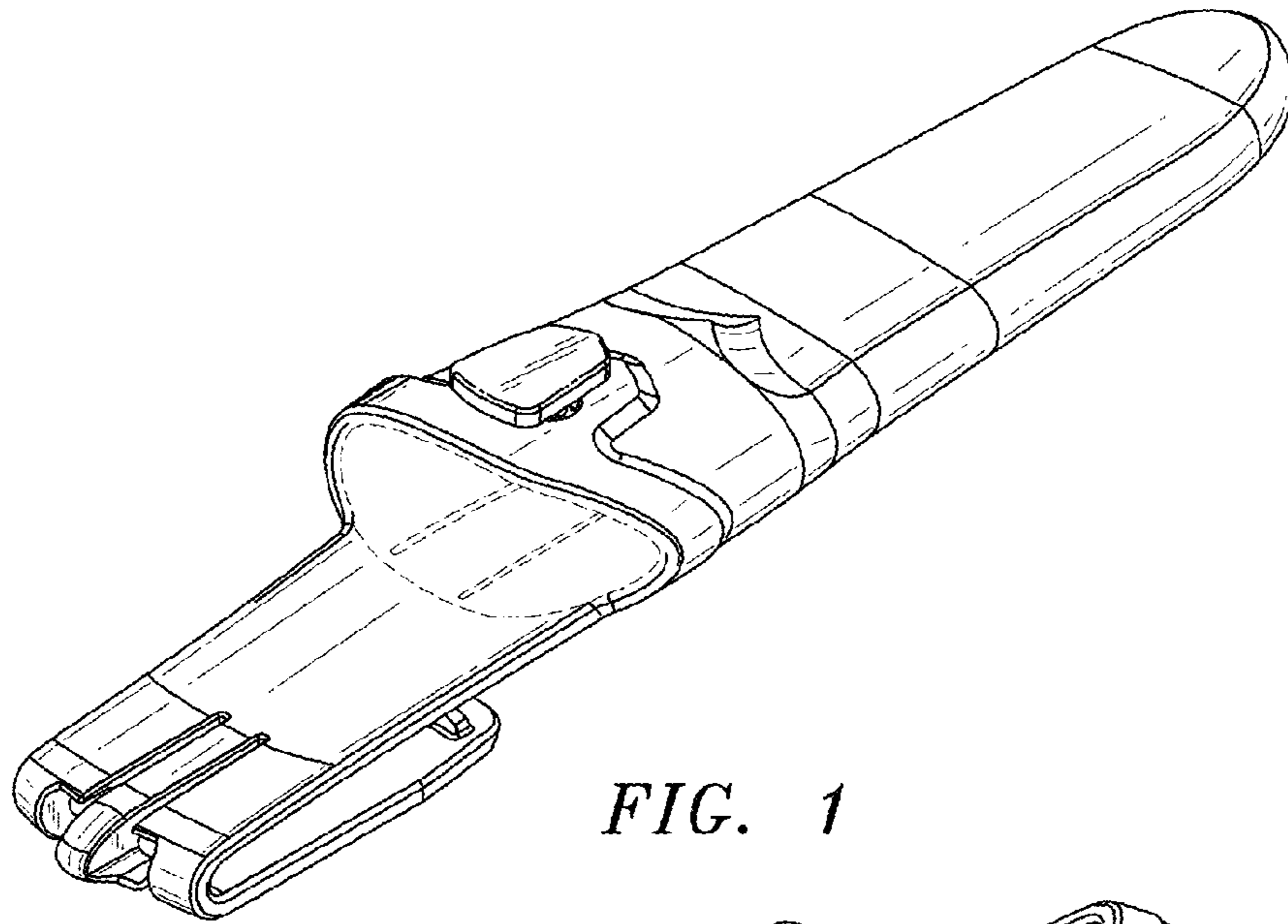


FIG. 1

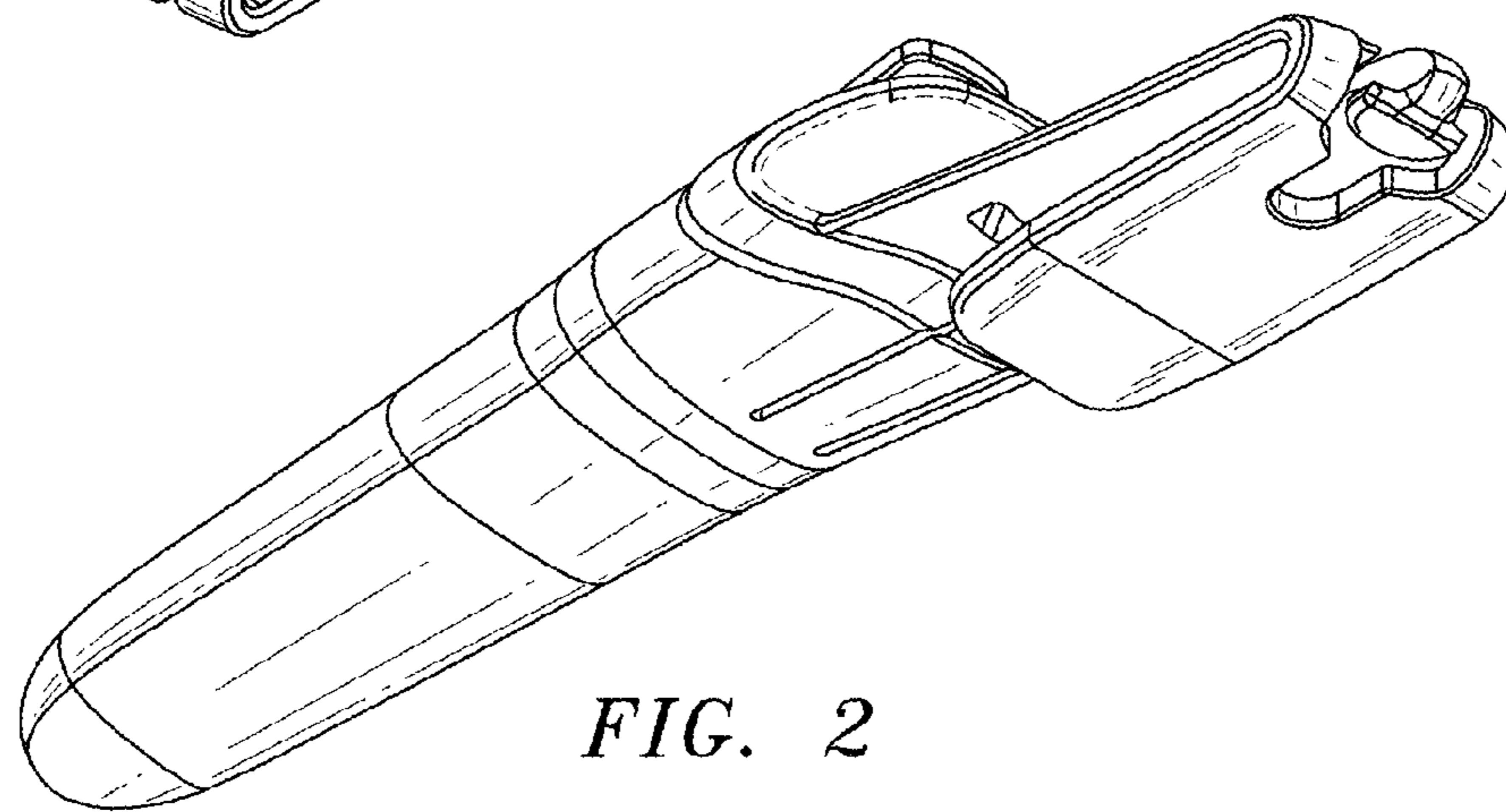


FIG. 2

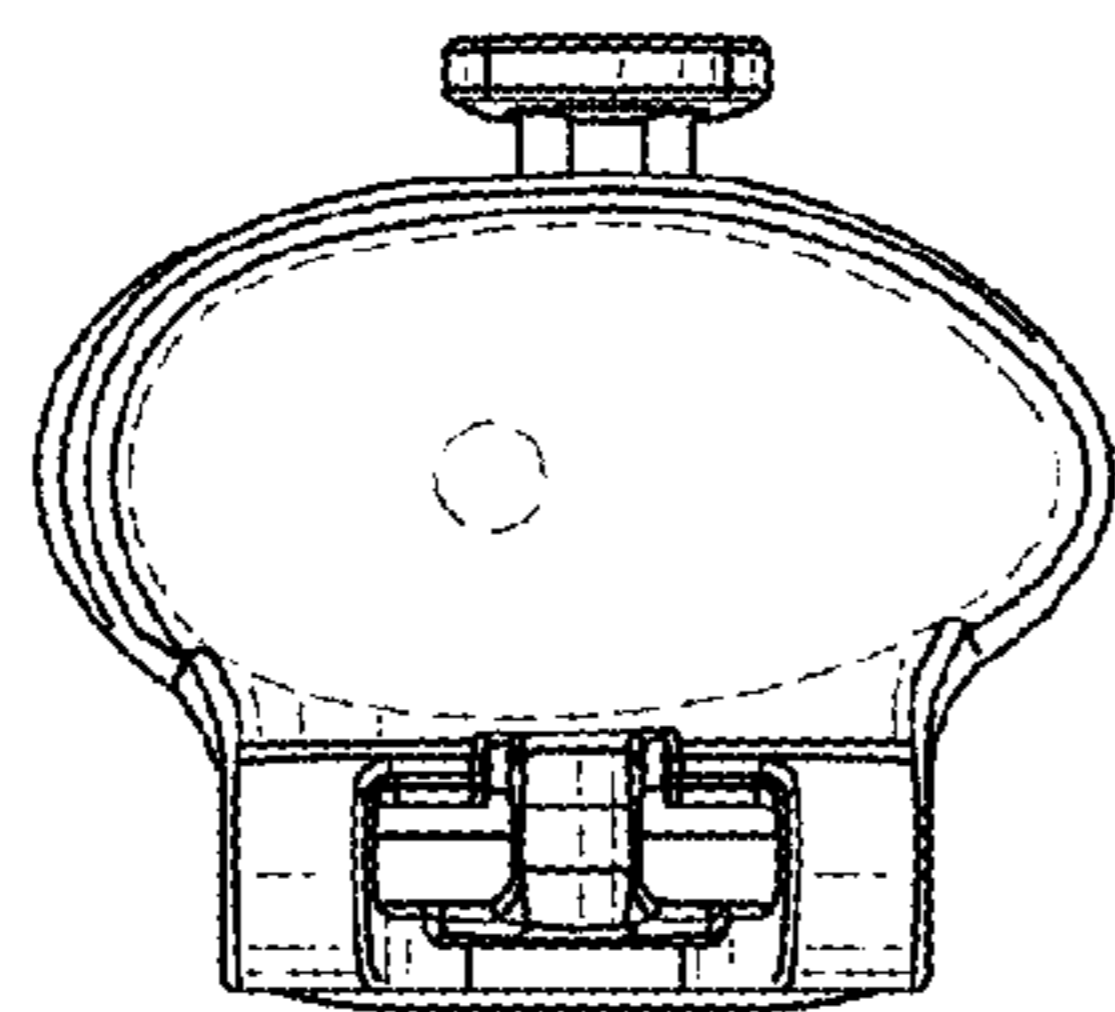


FIG. 3

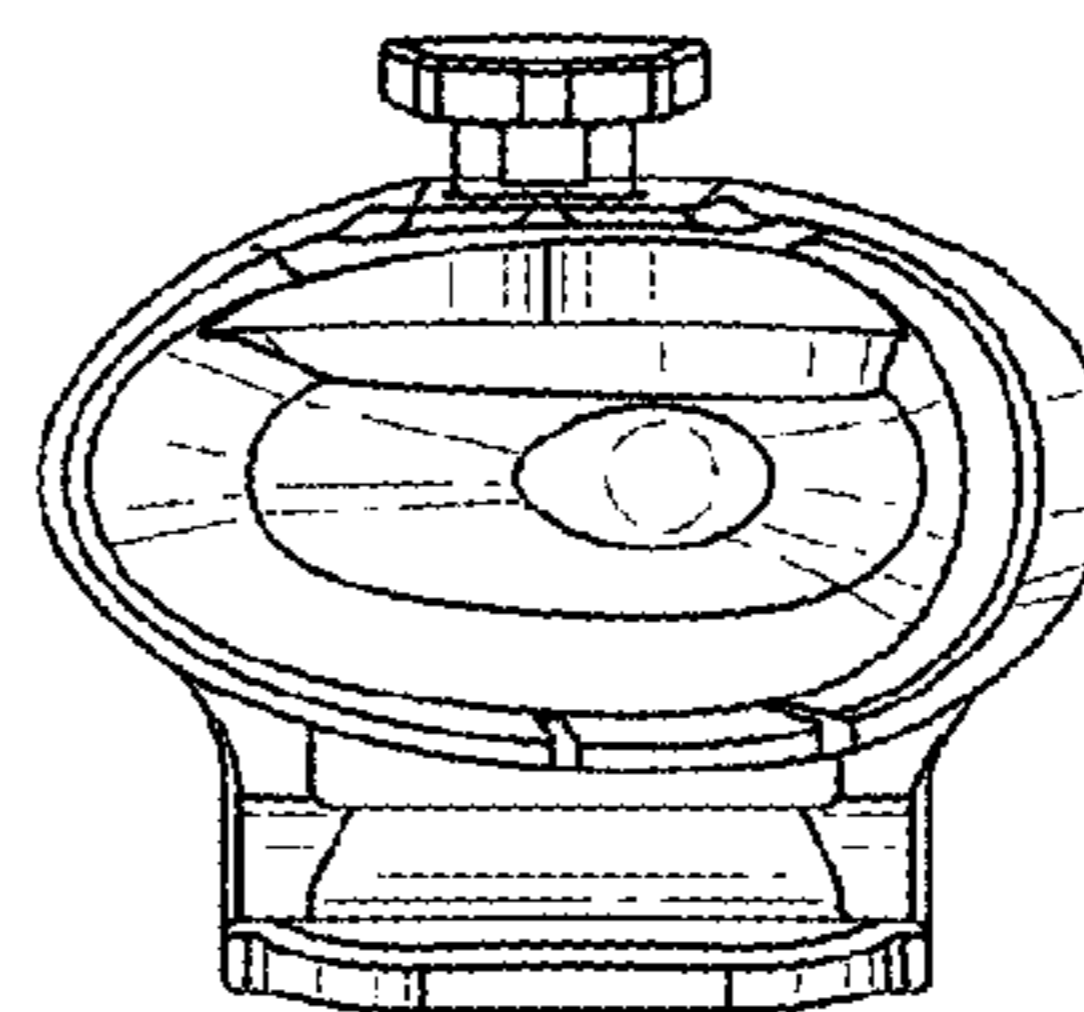


FIG. 4

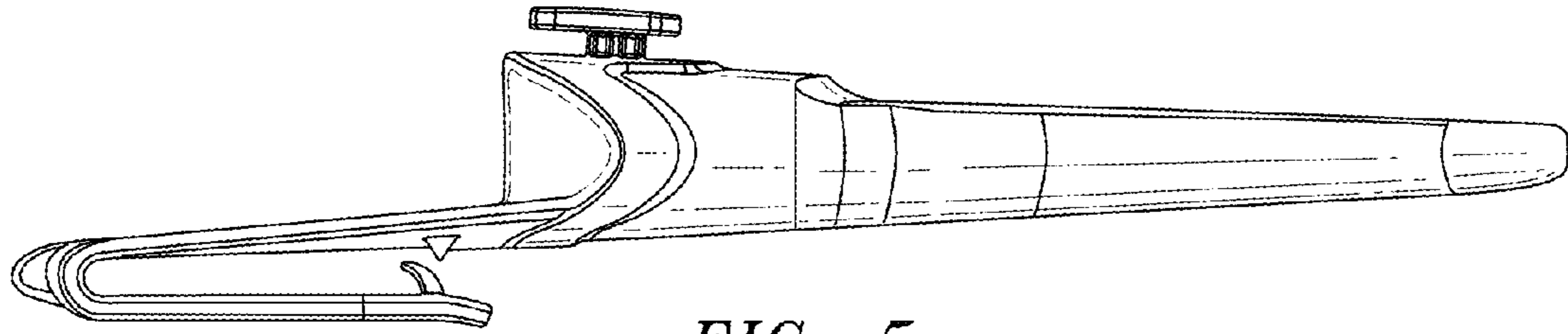


FIG. 5

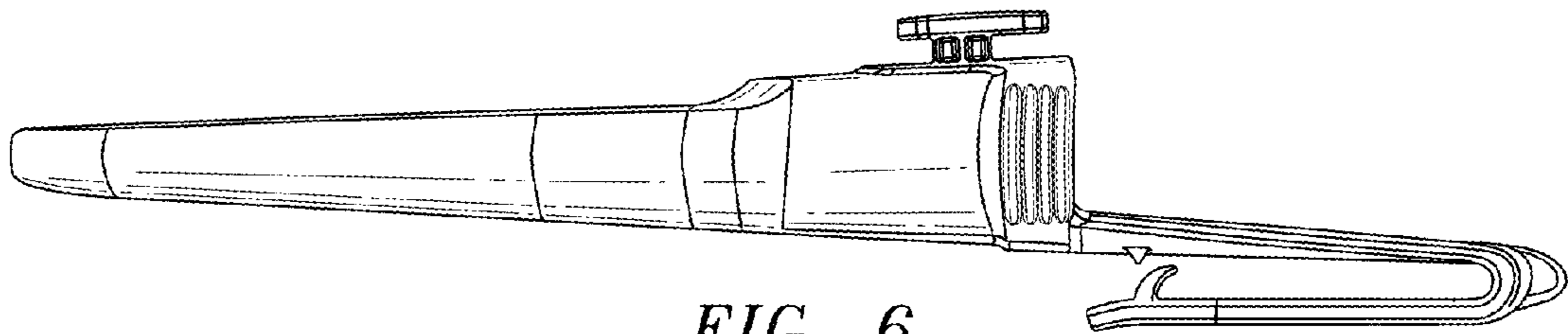


FIG. 6

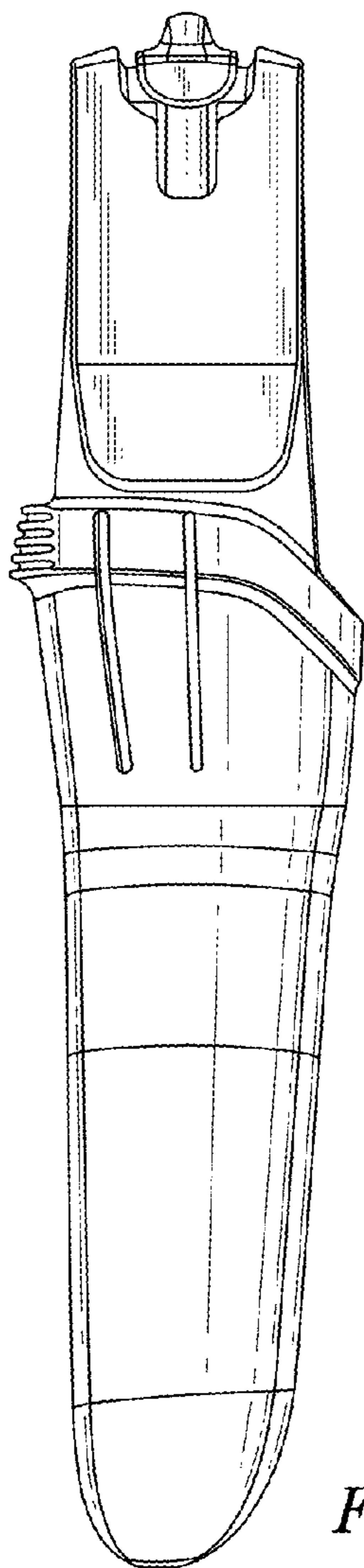


FIG. 7

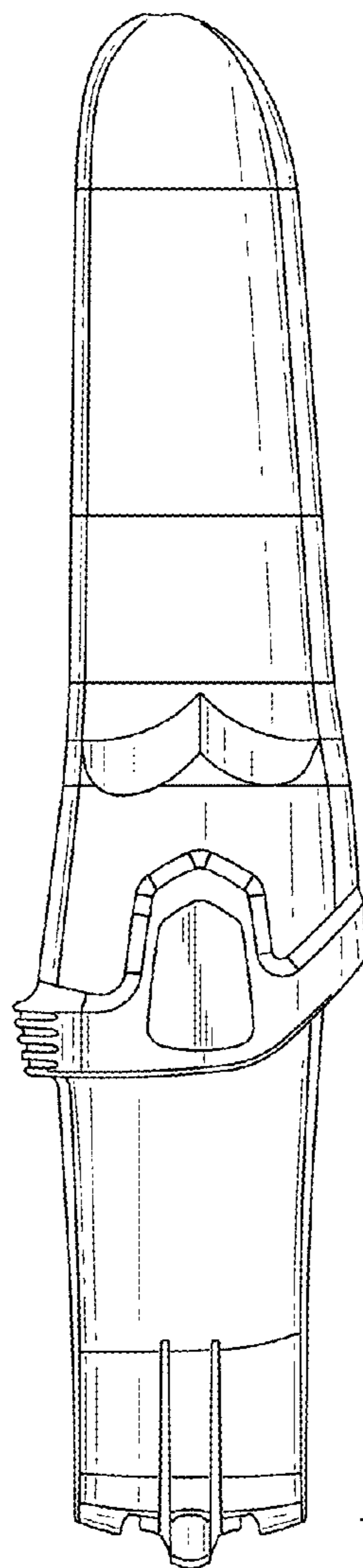


FIG. 8