



US00D724289S

(12) **United States Design Patent**  
**Phillips et al.**

(10) **Patent No.:** **US D724,289 S**  
(45) **Date of Patent:** **\*\* Mar. 10, 2015**

- (54) **ELEVATOR BELT SPLICE**
- (71) Applicant: **Maxi-Lift, Inc.**, Addison, TX (US)
- (72) Inventors: **Paul Daniel Phillips**, Frisco, TX (US);  
**Lars Mees Muller**, Bleiswijk (NL);  
**Willem Bertus van der Wouden**,  
Nieuwerkerk aan den IJssel (NL)
- (73) Assignee: **Maxi-Lift, Inc.**, Addison, TX (US)
- (\*\*) Term: **14 Years**
- (21) Appl. No.: **29/481,726**
- (22) Filed: **Feb. 10, 2014**
- (51) **LOC (10) Cl.** ..... **12-05**
- (52) **U.S. Cl.**  
USPC ..... **D34/35; D34/29**
- (58) **Field of Classification Search**  
USPC ..... **D34/29, 35; 198/844.2; 24/37, 31 R,**  
**24/132; 474/257**  
See application file for complete search history.

4,489,827	A *	12/1984	Anderson	.....	198/844.2
4,540,389	A	9/1985	Ramsey		
4,734,959	A *	4/1988	Jaubert	.....	24/38
4,757,576	A *	7/1988	Jaubert	.....	24/31 R
D299,077	S *	12/1988	Abbestam et al.	.....	D34/29
D301,179	S *	5/1989	Miller	.....	D34/29
5,114,001	A *	5/1992	Anderson	.....	198/844.2
7,707,693	B2 *	5/2010	Schaefer	.....	24/31 R
D701,015	S *	3/2014	Specht	.....	D34/29

**OTHER PUBLICATIONS**

Maxi-Lift Inc., Elevator Buckets & Accessories Catalog, Jul. 2013, p. 18.

\* cited by examiner

*Primary Examiner* — Cynthia Ramirez

(74) *Attorney, Agent, or Firm* — Gardere Wynne Sewell LLP

(57) **CLAIM**

The ornamental design for an elevator belt splice, as shown and described.

**DESCRIPTION**

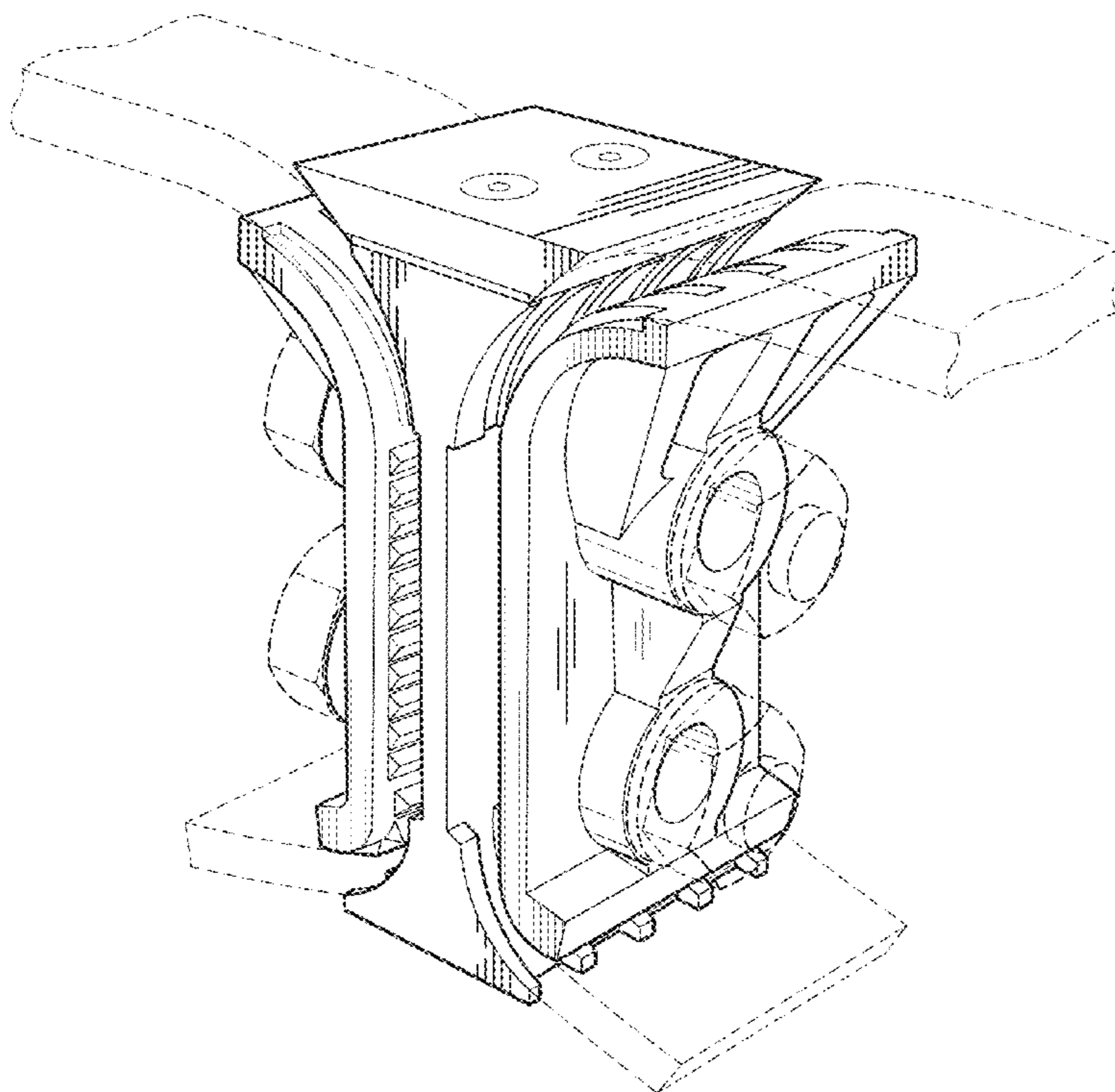
FIG. 1 is a front perspective view of an elevator belt splice; FIG. 2 is a top view of the elevator belt splice of FIG. 1; FIG. 3 is a right side view of the elevator belt splice of FIGS. 1 and 2, the left side view being a mirror image thereof; FIG. 4 is a front view of the elevator belt splice, the rear view being a mirror image thereof; and, FIG. 5 is a bottom view of the elevator belt splice. The broken line showing in the figures is included for the purpose of illustrating environment and forms no part of the claimed design.

**1 Claim, 2 Drawing Sheets**

(56) **References Cited**

**U.S. PATENT DOCUMENTS**

8,514	A	6/1886	Whitehead		
1,643,037	A	9/1927	Vollrath		
1,686,300	A	10/1928	Vollrath		
2,514,715	A *	7/1950	Milik	.....	198/830
4,056,867	A	11/1977	Wert et al.		
D261,750	S *	11/1981	Miller	.....	D34/35



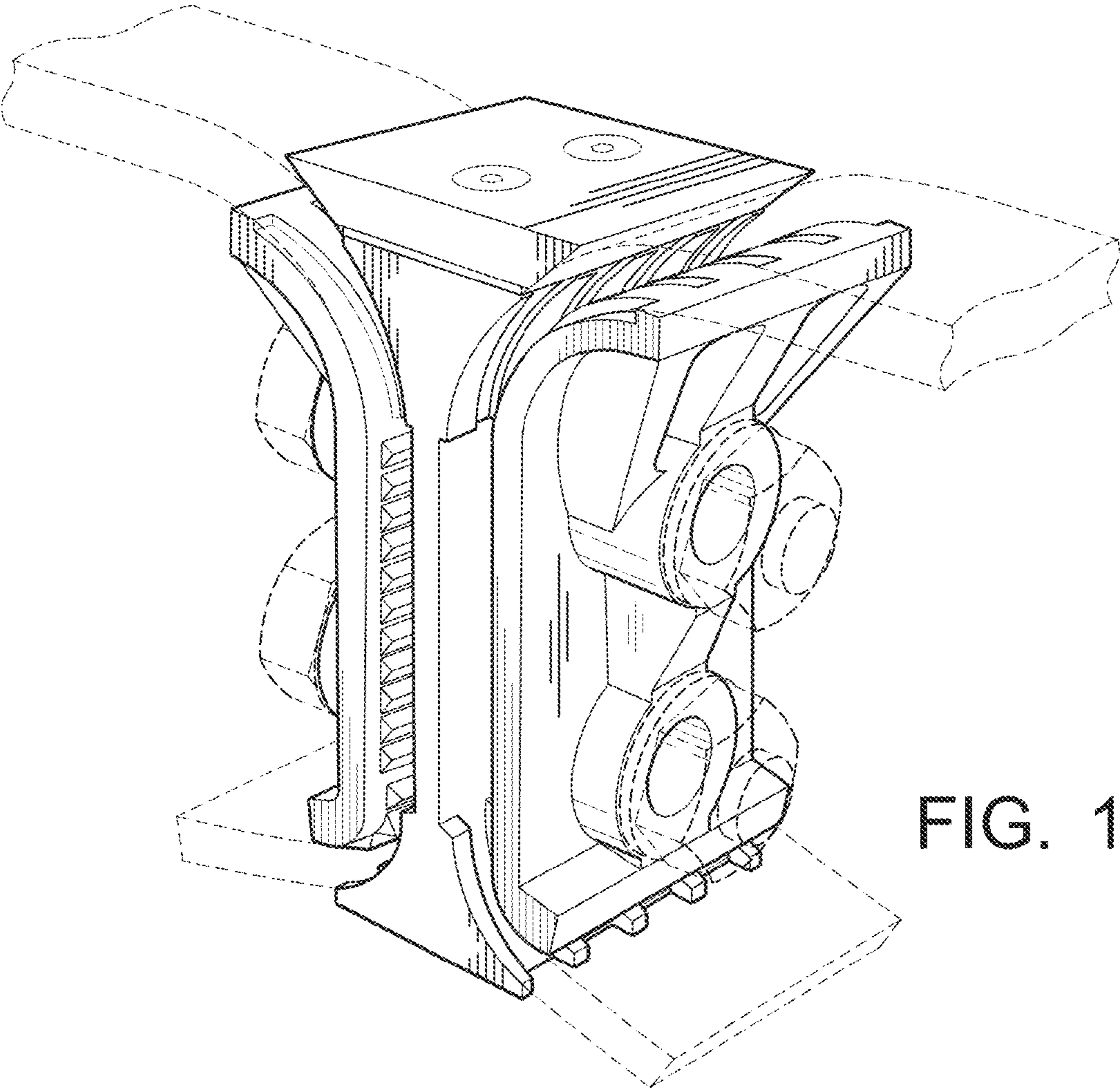


FIG. 1

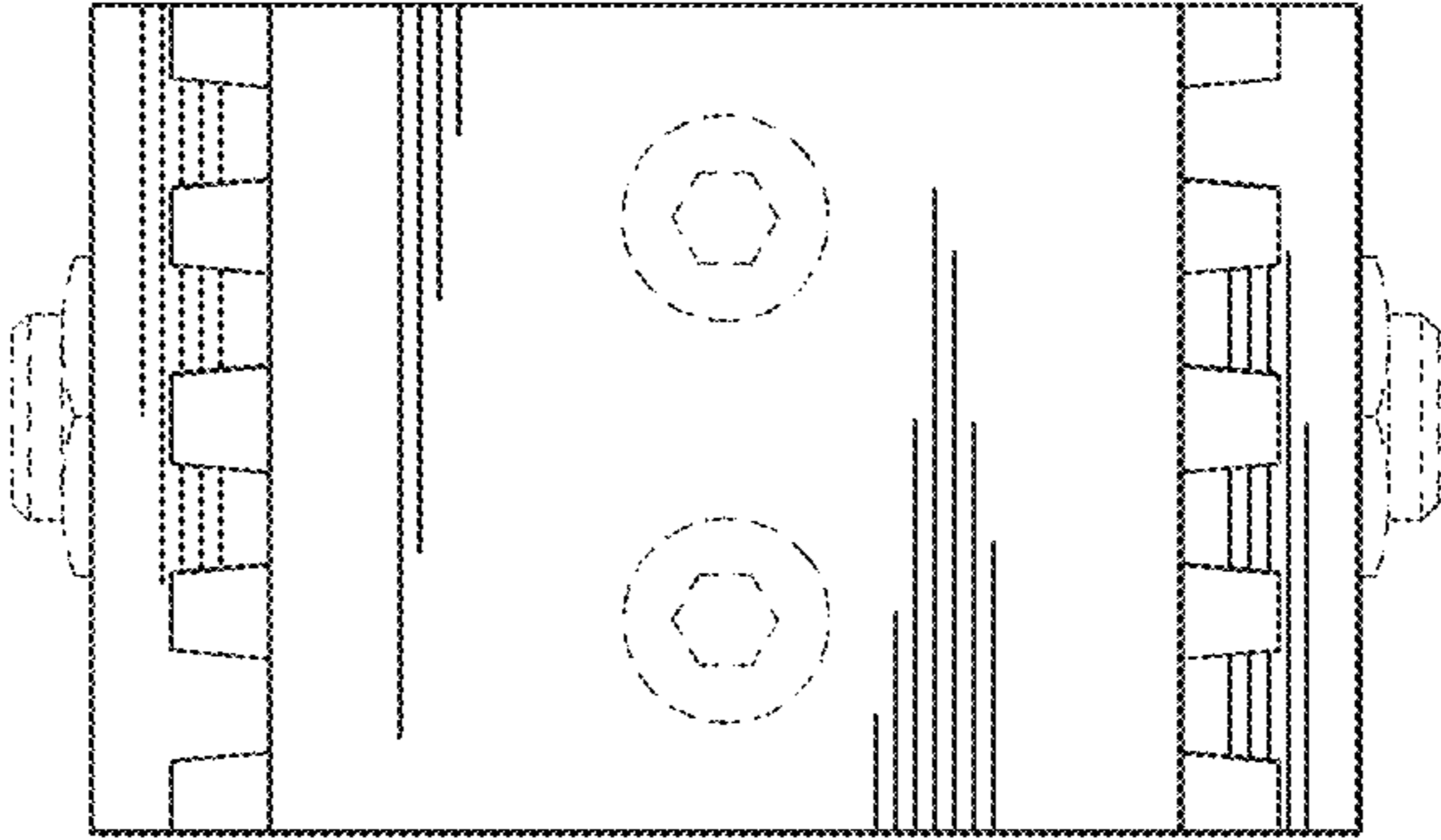


FIG. 2

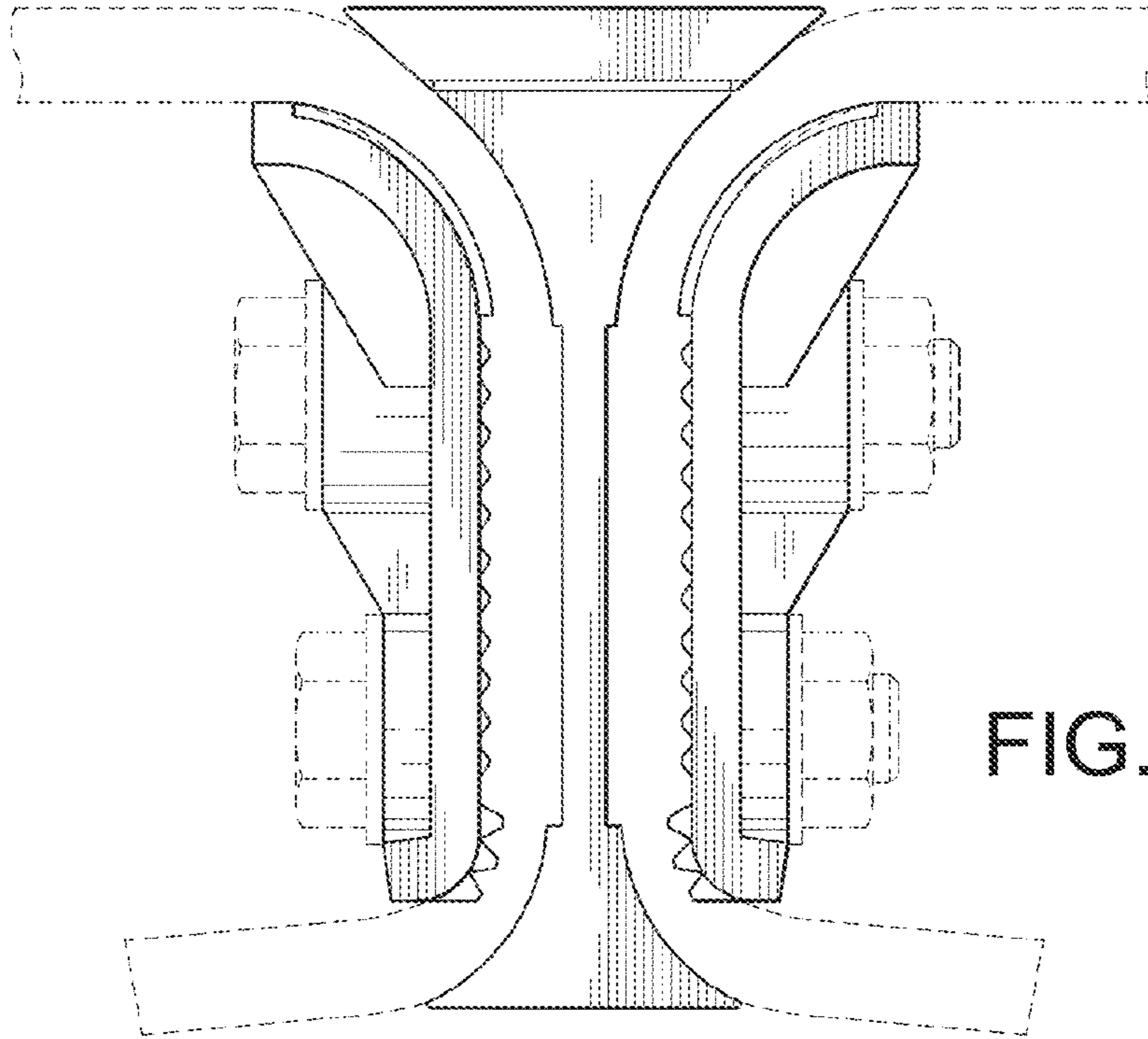


FIG. 3

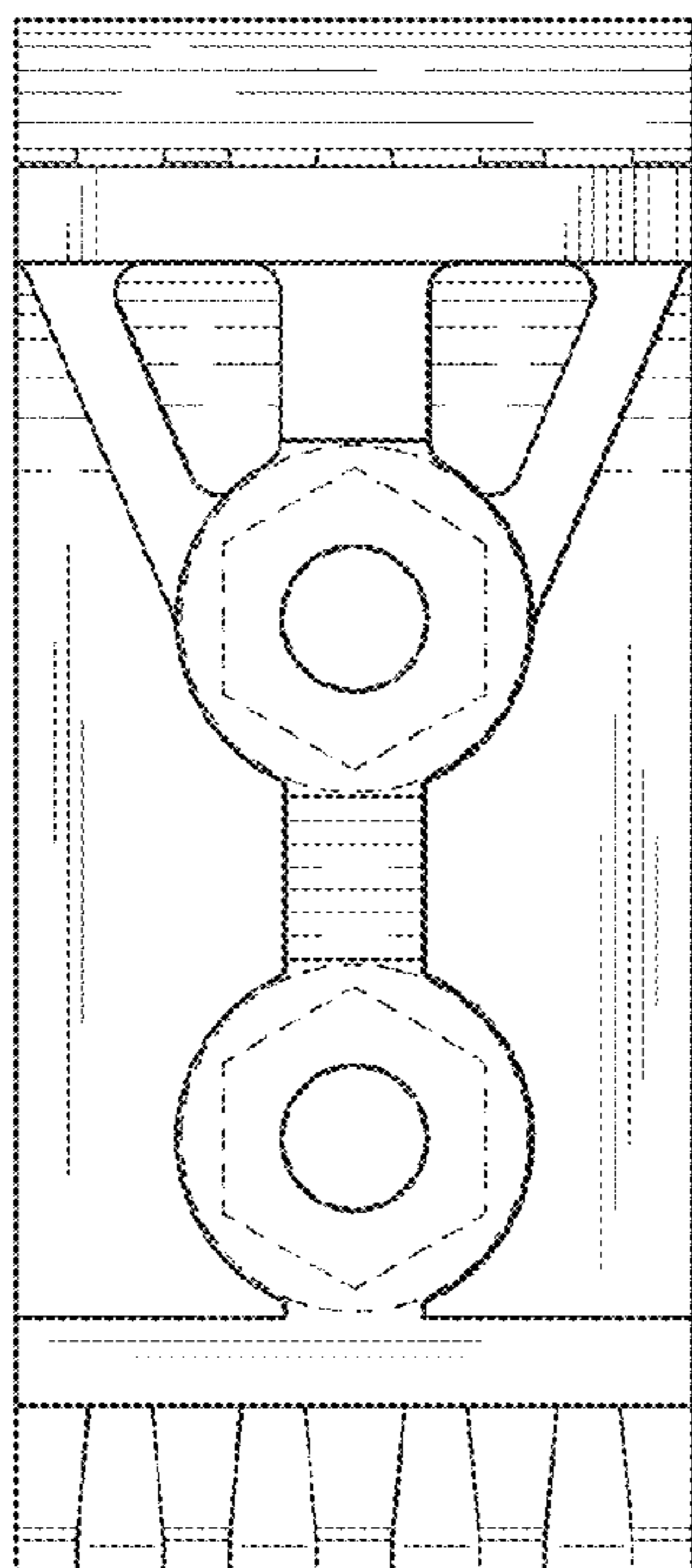


FIG. 4

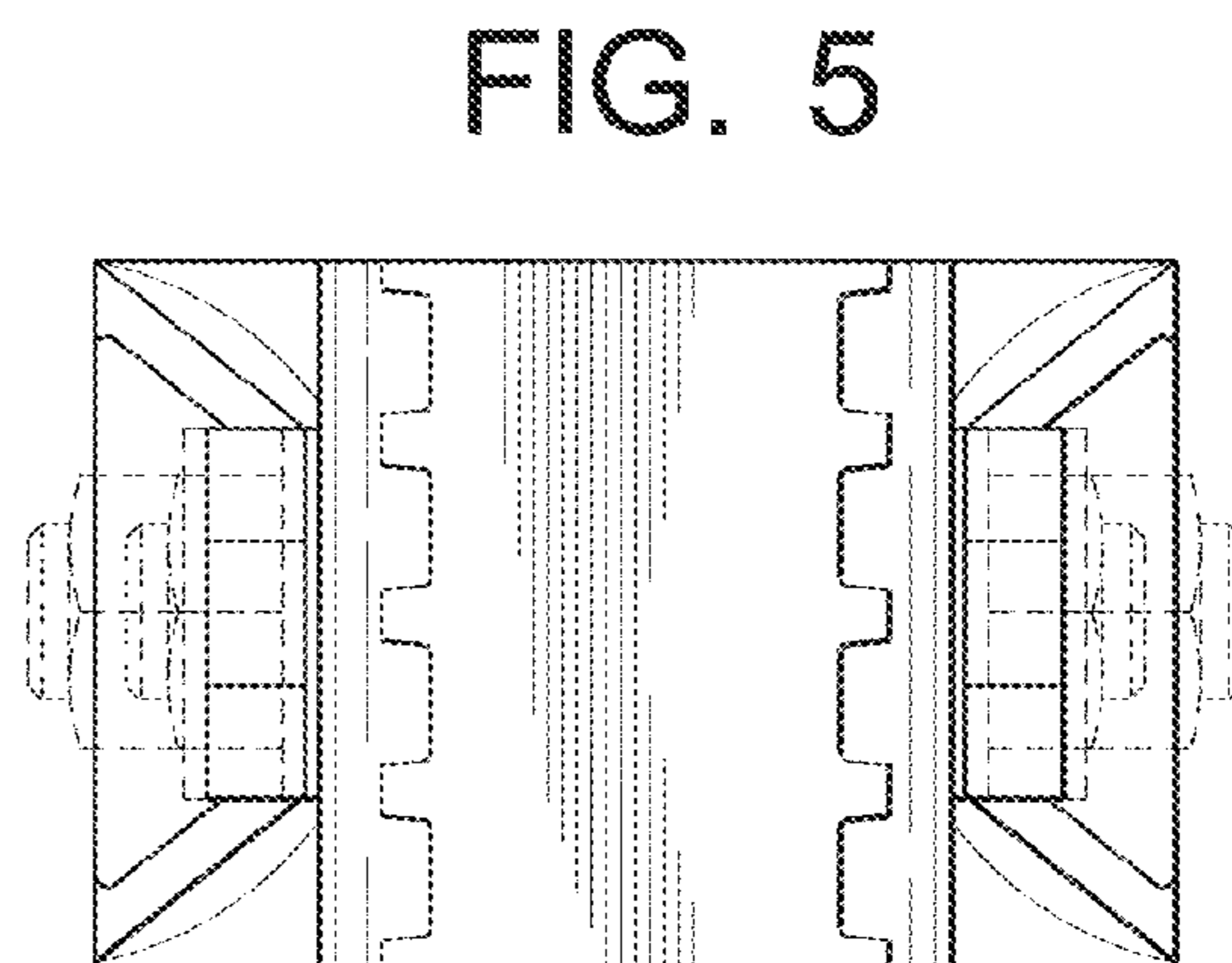


FIG. 5