



US00D724288S

(12) **United States Design Patent**
Gross

(10) **Patent No.:** **US D724,288 S**
(45) **Date of Patent:** **** Mar. 10, 2015**

(54) **BUILDING EDGE MOUNT LIFTING APPARATUS**

(71) Applicant: **Matthew Gross**, Alta Loma, CA (US)

(72) Inventor: **Matthew Gross**, Alta Loma, CA (US)

(**) Term: **14 Years**

(21) Appl. No.: **29/455,959**

(22) Filed: **May 28, 2013**

(51) **LOC (10) Cl.** **12-05**

(52) **U.S. Cl.**
USPC **D34/28**

(58) **Field of Classification Search**
USPC D34/28, 31; 254/4 B, 8 B, 124, 8 R, 4 R,
254/2 R, 122
See application file for complete search history.

(56) **References Cited**

U.S. PATENT DOCUMENTS

3,931,956	A *	1/1976	Hawkins	254/8 B
4,669,703	A *	6/1987	Hawkins et al.	254/8 B
4,770,273	A	9/1988	McMakin et al.		
5,140,923	A *	8/1992	Wood	114/48
D348,134	S *	6/1994	McCanse et al.	D34/31
D375,603	S *	11/1996	Carver	D34/28
D389,980	S	1/1998	Friz		
D467,403	S	12/2002	Aquino		
7,465,144	B1	12/2008	Studer		
D596,823	S *	7/2009	Thurm	D34/28

8,146,890	B2 *	4/2012	Lin et al.	254/2 B
D659,342	S	5/2012	Cichetti et al.		
D703,413	S *	4/2014	Gann et al.	D34/28
2002/0134970	A1	9/2002	Bressner et al.		
2003/0047724	A1 *	3/2003	Landreth et al.	254/8 R
2007/0269303	A1	11/2007	Quare		
2010/0001241	A1 *	1/2010	Rentschler	254/2 R
2012/0018253	A1	1/2012	Taberah		
2014/0131535	A1 *	5/2014	Latimer et al.	248/219.4

* cited by examiner

Primary Examiner — Cynthia Ramirez

(74) *Attorney, Agent, or Firm* — Kirk A. Buhler; Buhler & Associates

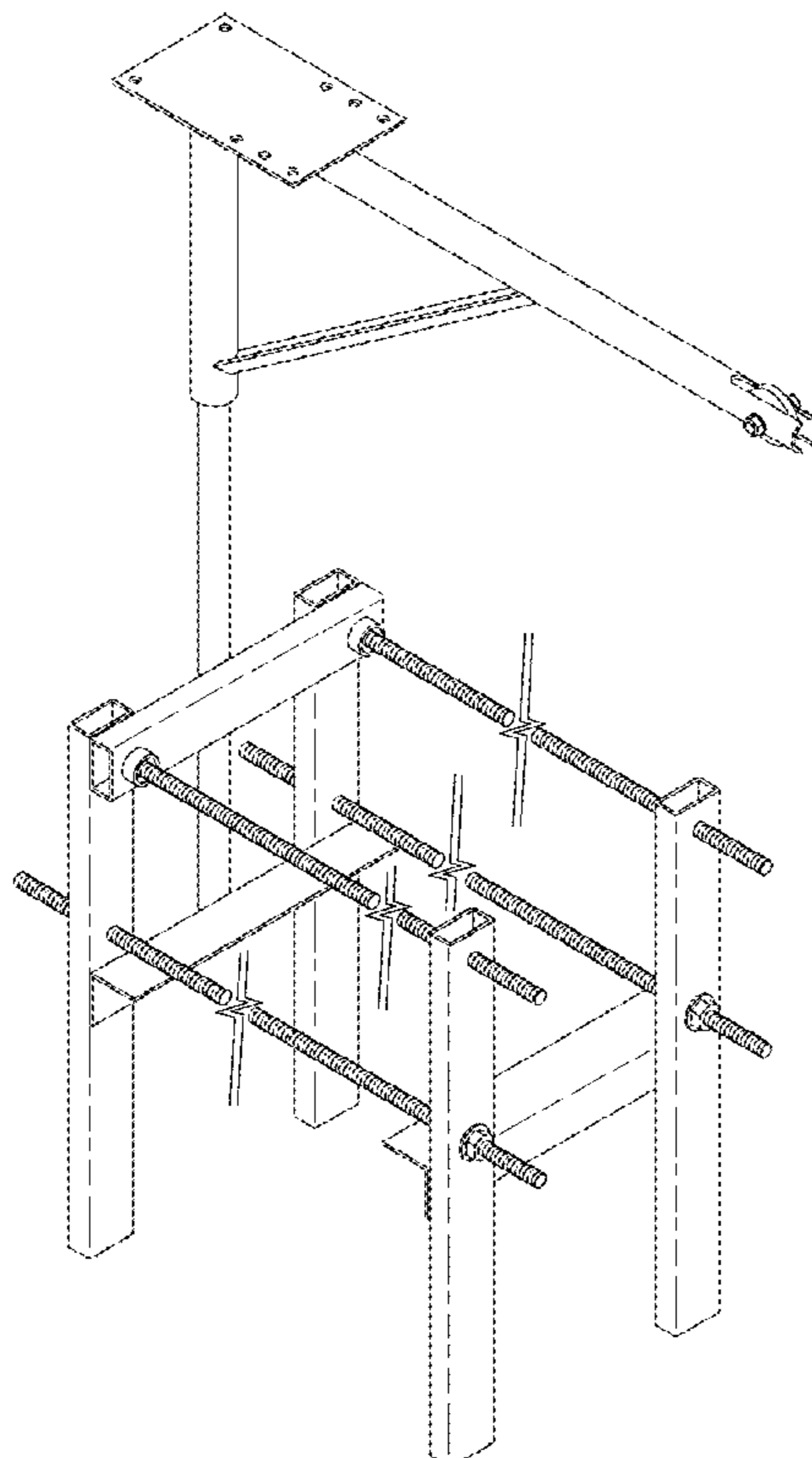
(57) **CLAIM**

The ornamental design for a building edge mount lifting apparatus, as shown and described.

DESCRIPTION

FIG. 1 is a top front perspective view for a building edge mount lifting apparatus showing my new design; FIG. 2 is a front side view thereof; FIG. 3 is a back side view thereof; FIG. 4 is a top side view thereof; FIG. 5 is a bottom side view thereof; FIG. 6 is a left side view thereof; FIG. 7 is a right side view thereof; and, FIG. 8 is a top rear perspective view. The screws are shown with a symbolic break in their length. The appearance of any portion of the article between the break lines forms no part of the claimed design.

1 Claim, 5 Drawing Sheets



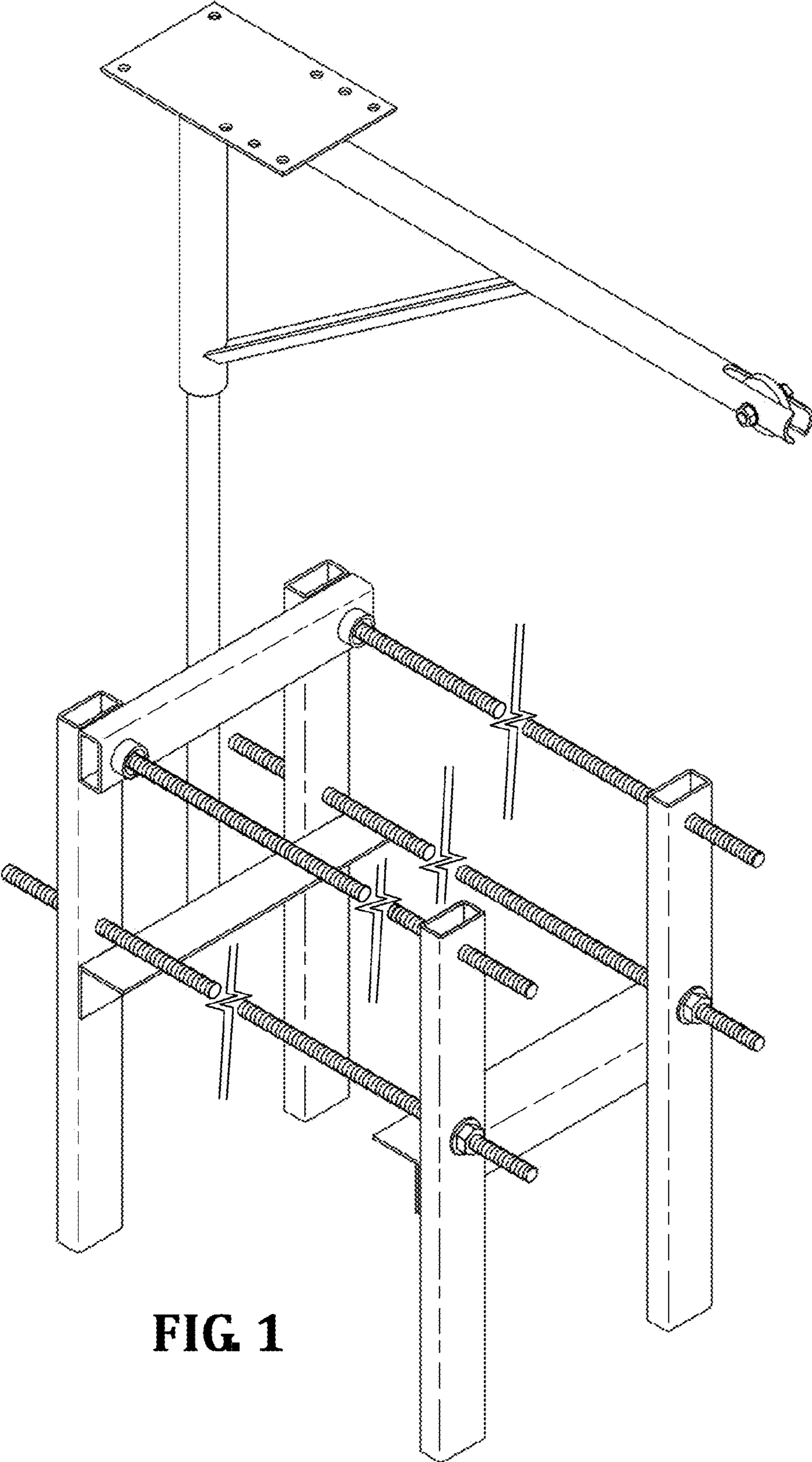


FIG 1

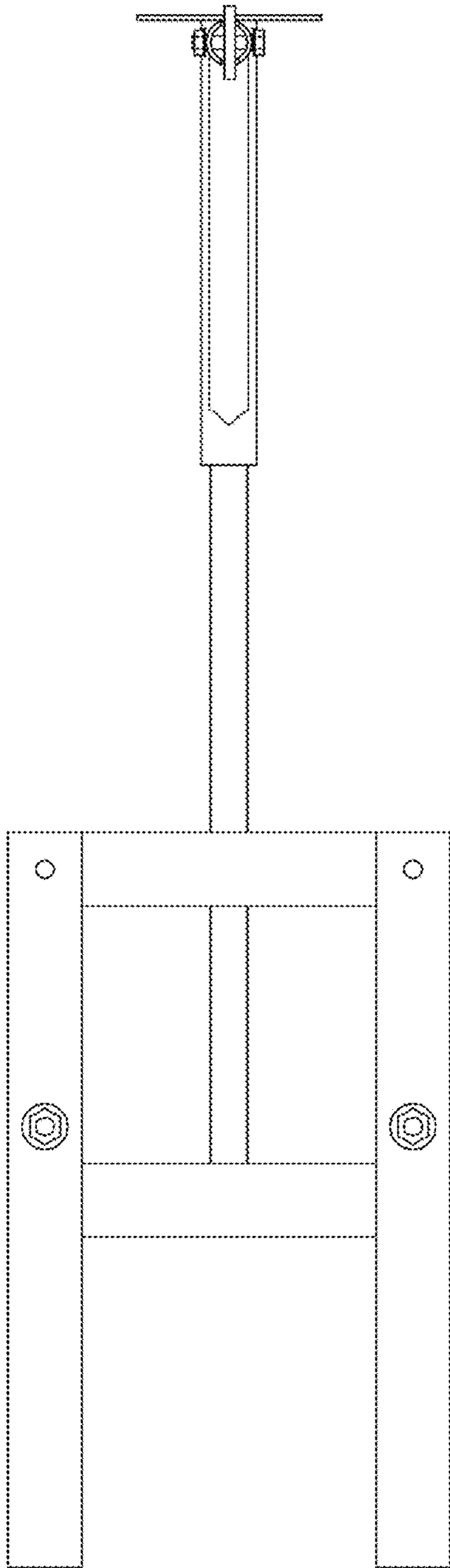


FIG. 2

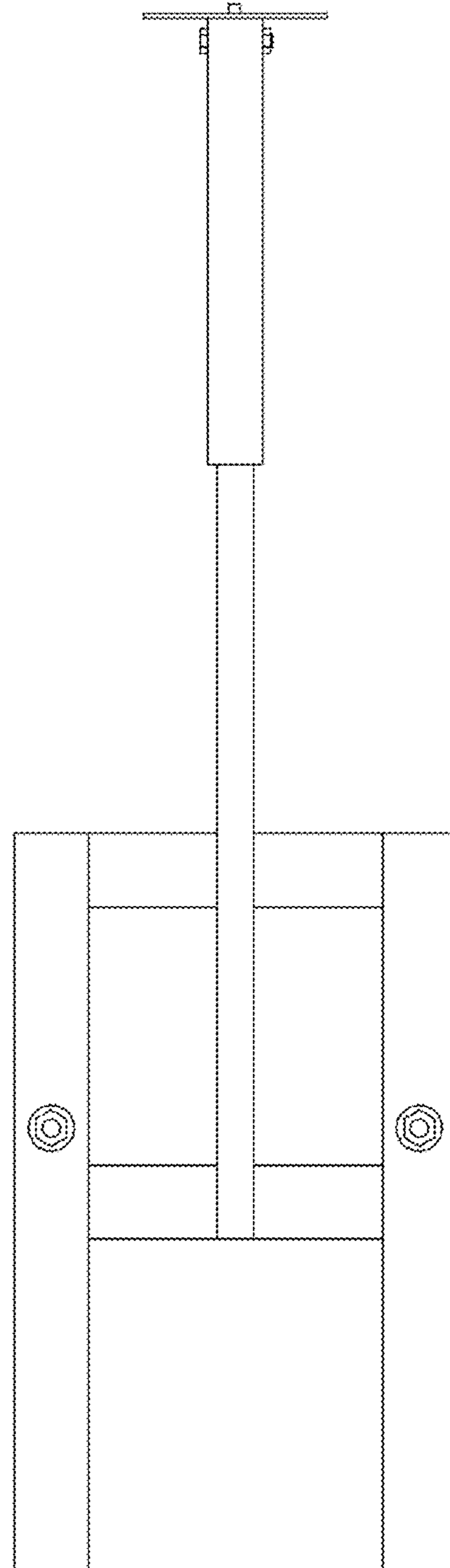


FIG. 3

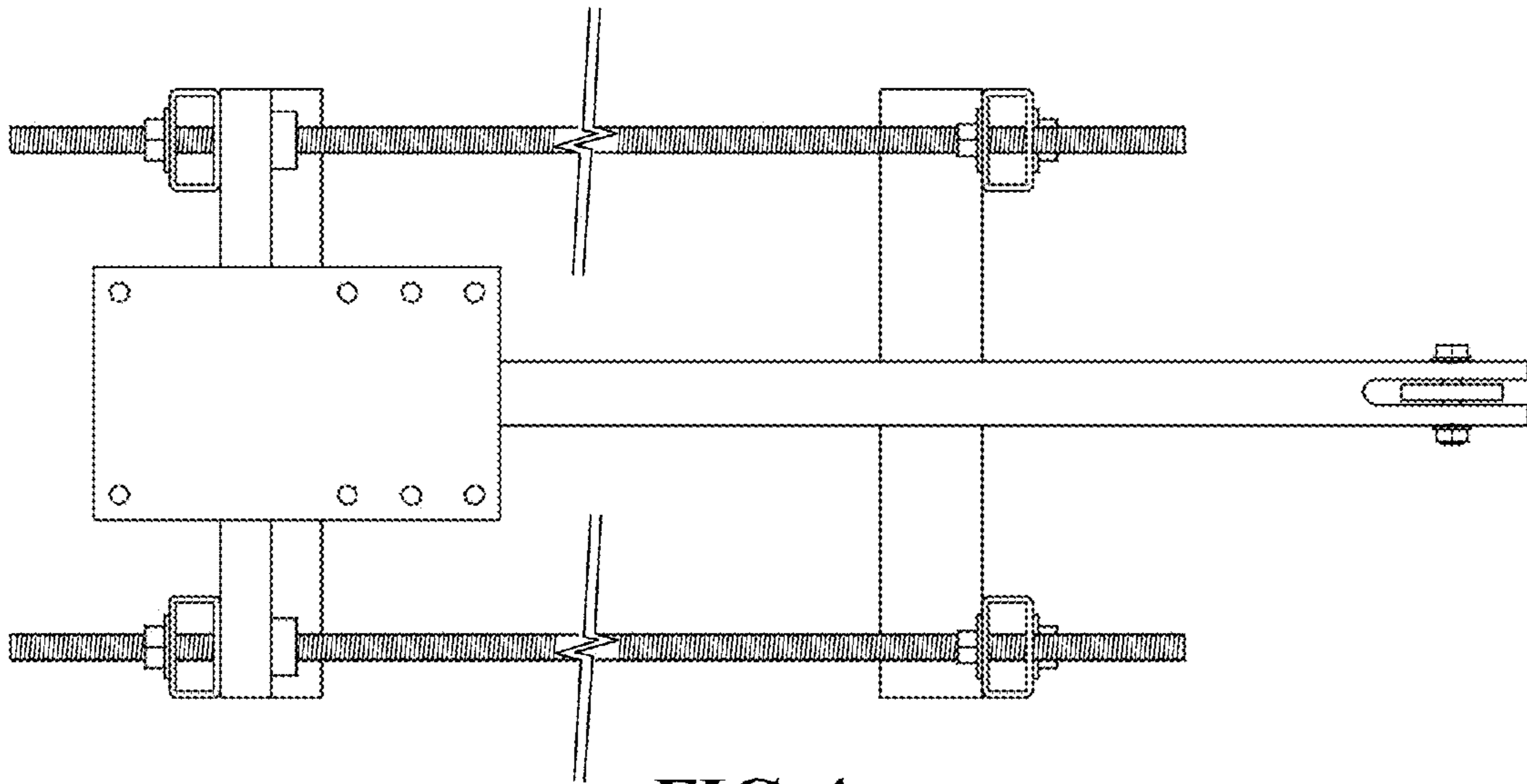


FIG. 4

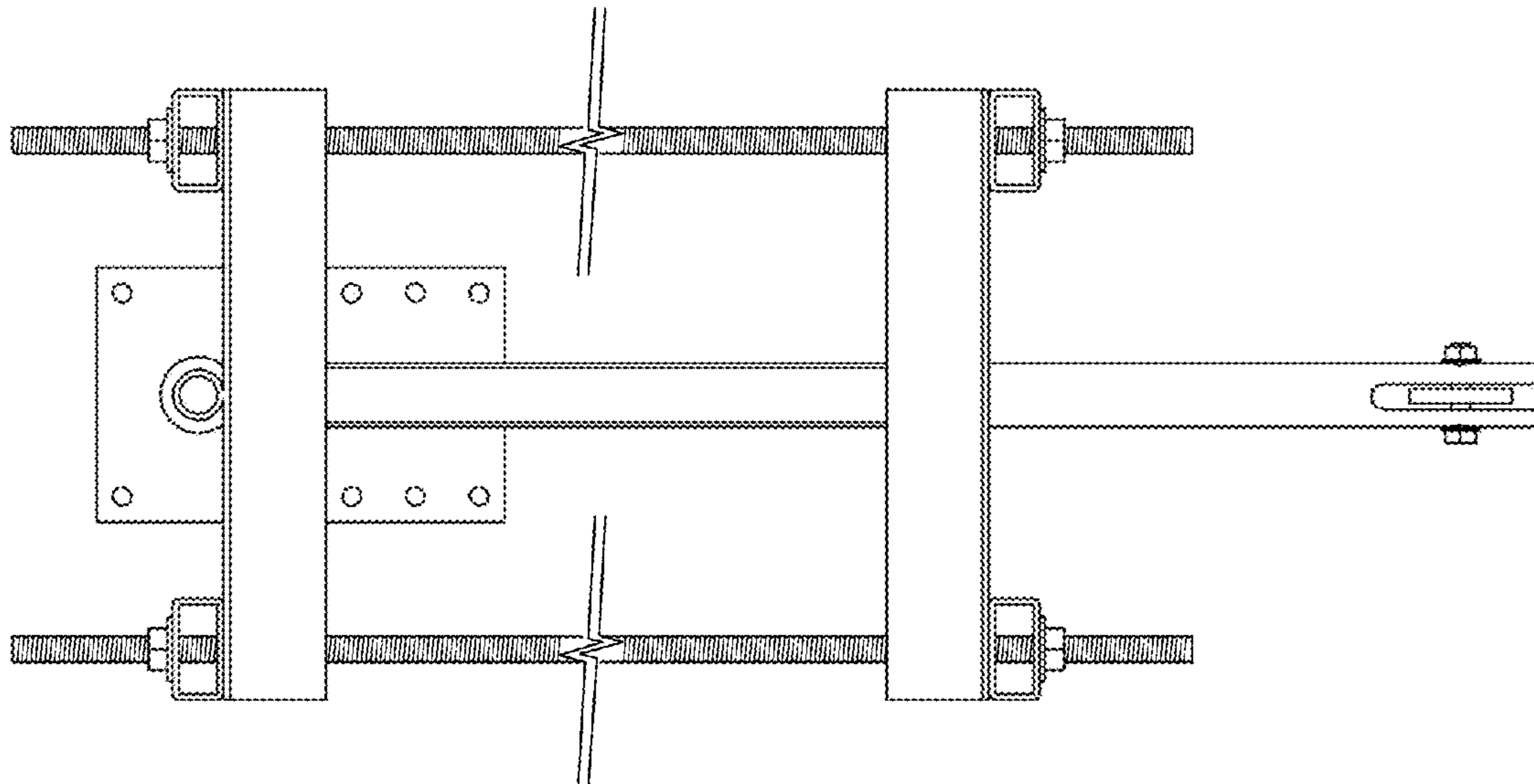


FIG. 5

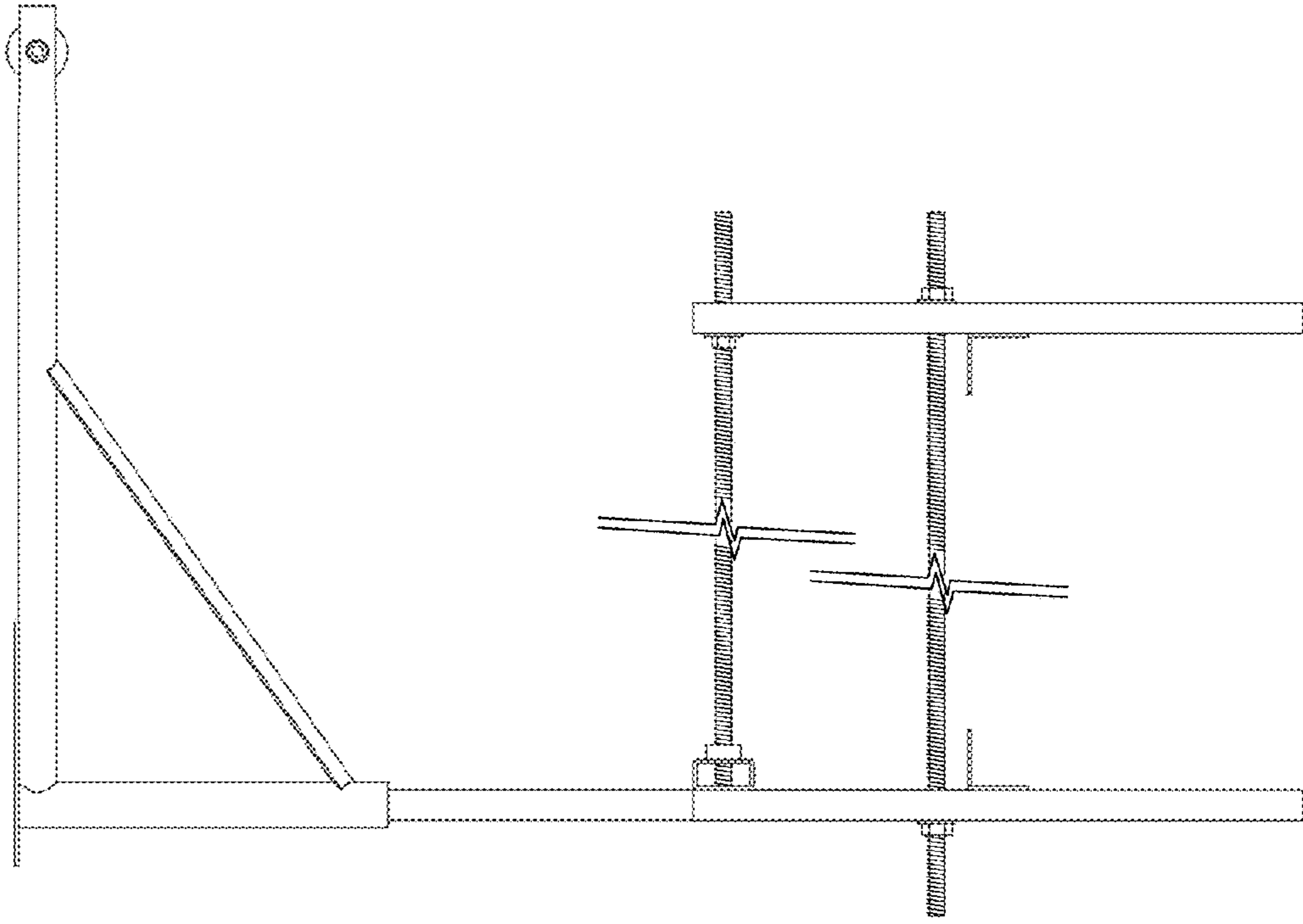


FIG. 7

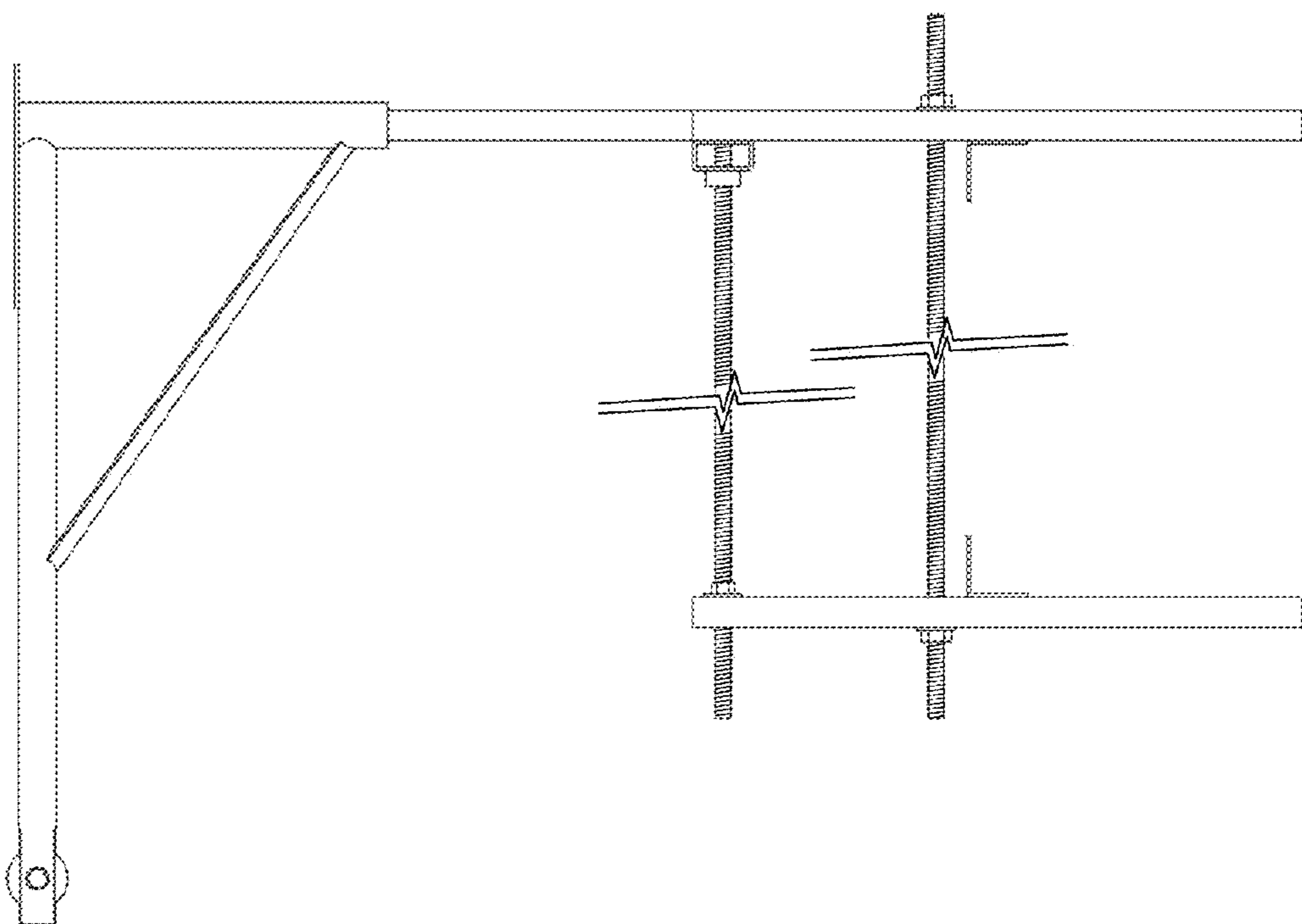


FIG. 6

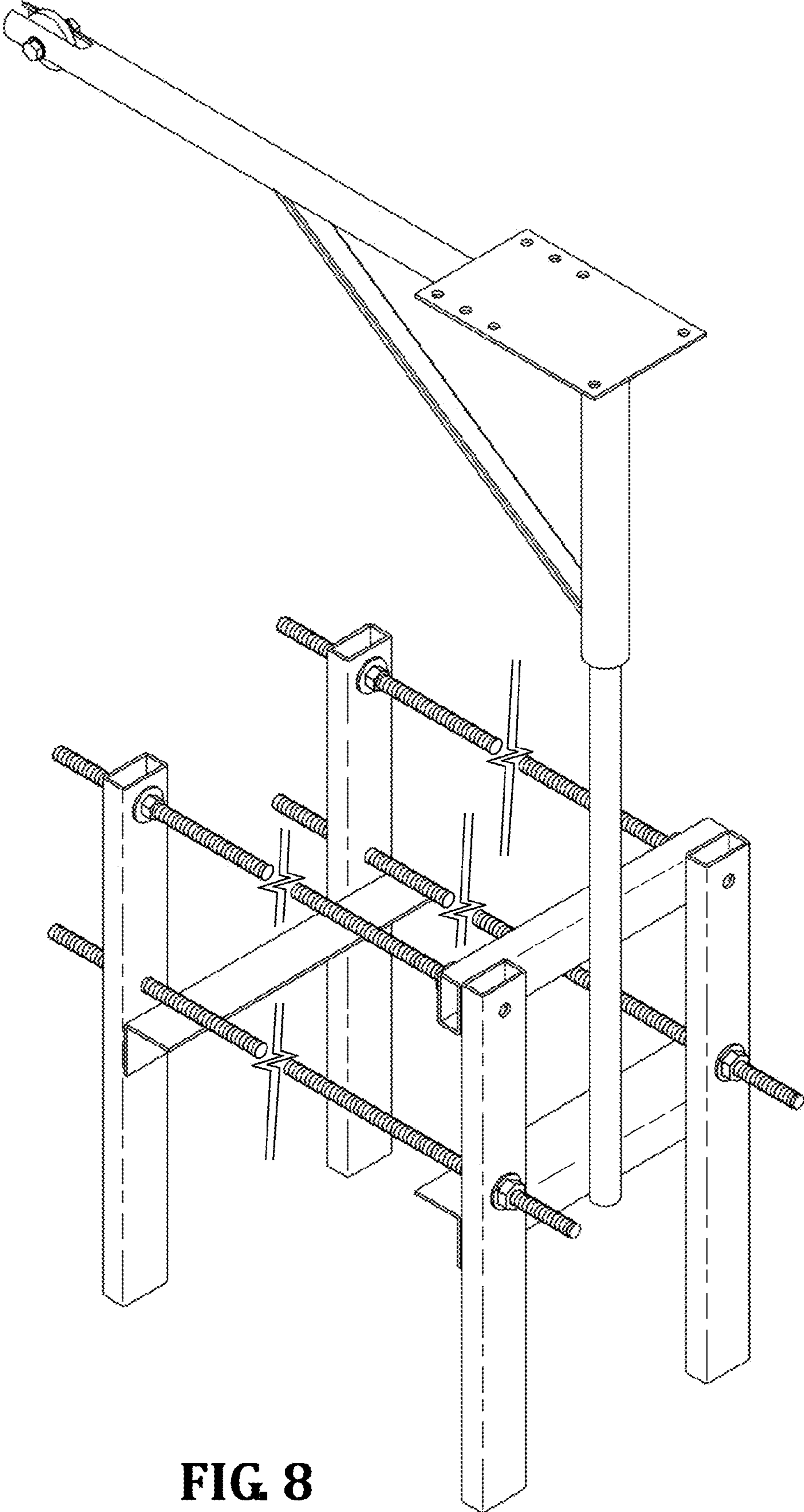


FIG 8