



US00D724286S

(12) **United States Design Patent**  
**Colangelo**

(10) **Patent No.:** **US D724,286 S**

(45) **Date of Patent:** **\*\* Mar. 10, 2015**

(54) **CLEANING CLOTH**

(71) Applicant: **Joseph M Colangelo**, Delray Beach, FL (US)

(72) Inventor: **Joseph M Colangelo**, Delray Beach, FL (US)

(73) Assignee: **EZP International**, Delray, FL (US)

(\*\*) Term: **14 Years**

(21) Appl. No.: **29/479,523**

(22) Filed: **Jan. 16, 2014**

**Related U.S. Application Data**

(63) Continuation of application No. 13/685,381, filed on Nov. 26, 2012, now Pat. No. 8,776,300, which is a continuation-in-part of application No. 29/418,019, filed on Apr. 11, 2012, now Pat. No. Des. 674,566.

(51) **LOC (10) Cl.** ..... **04-01**

(52) **U.S. Cl.**  
USPC ..... **D32/40**

(58) **Field of Classification Search**  
USPC ..... D32/40-46; 15/245, 245.1, 236.01, 15/209, 209.1, 244.1-244.4, 104.93  
See application file for complete search history.

(56) **References Cited**

**U.S. PATENT DOCUMENTS**

RE20,260 E \* 2/1937 Weller ..... 401/196  
2,394,419 A \* 2/1946 Zimmerman ..... 156/229  
2,932,839 A \* 4/1960 Flanigan et al. .... 401/201  
4,510,640 A \* 4/1985 Omori ..... 15/104.002

5,591,507 A \* 1/1997 Jones ..... 428/88  
D426,039 S \* 5/2000 Tintelnot et al. .... D32/40  
D462,150 S \* 8/2002 Rader et al. .... D32/40  
D674,566 S \* 1/2013 Colangelo ..... D32/40

\* cited by examiner

*Primary Examiner* — Robin V Webster

(74) *Attorney, Agent, or Firm* — Smith Risley Tempel Santos LLC; Gregory Scott Smith

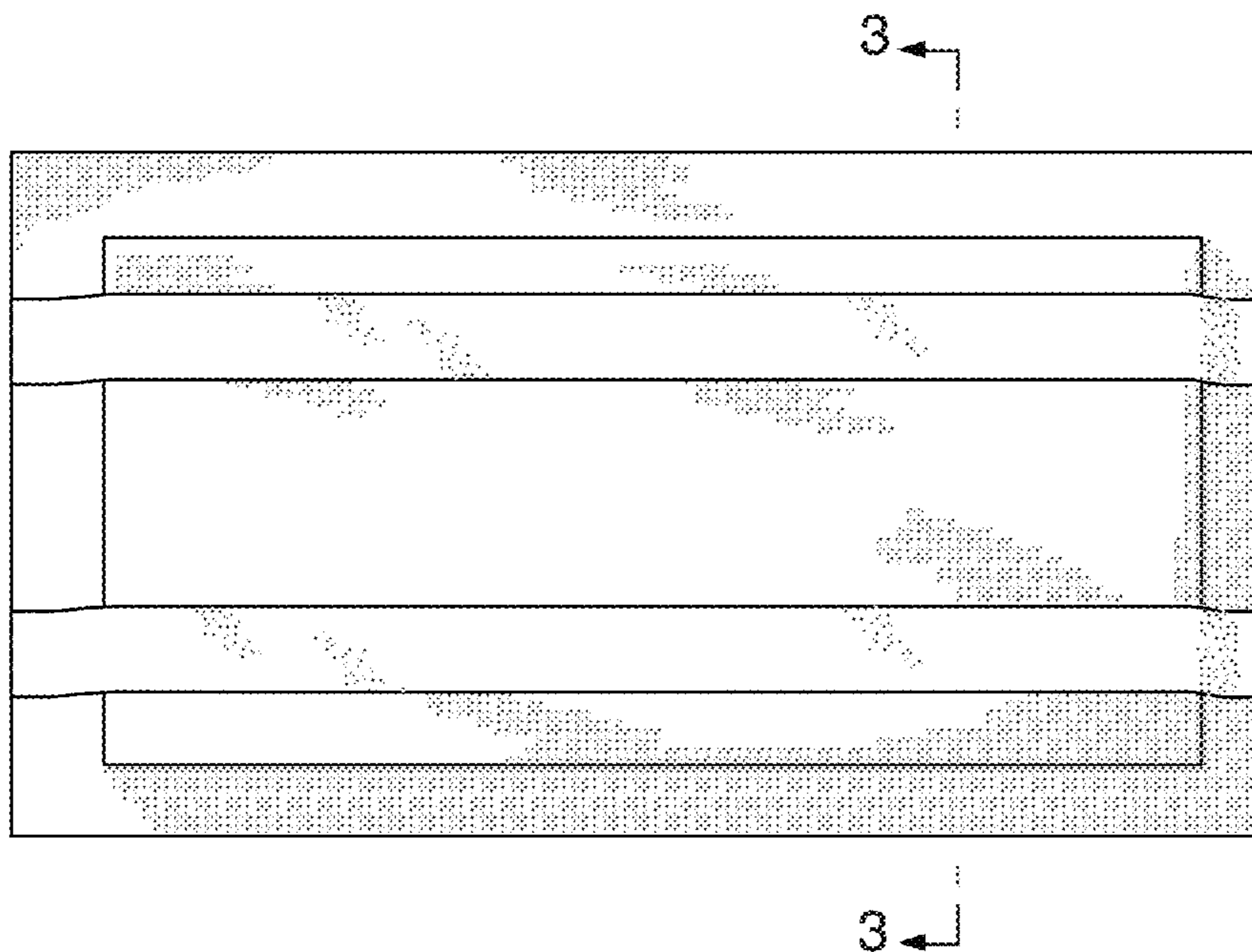
(57) **CLAIM**

The ornamental design for a cleaning cloth, as shown and described.

**DESCRIPTION**

FIG. 1 is a top plan view of the cleaning cloth;  
FIG. 2 is a bottom plan view of the cleaning cloth illustrated in FIG. 1;  
FIG. 3 is a perspective view of the cleaning cloth illustrated in FIG. 1 with a cross-section proximate to line 3 as illustrated in FIG. 1;  
FIG. 4 is a first side elevation view of the cleaning cloth illustrated in FIG. 1;  
FIG. 5 is a second side elevation view of the cleaning cloth illustrated in FIG. 1;  
FIG. 6 is a first end elevation view of the cleaning cloth illustrated in FIG. 1; and,  
FIG. 7 is a second end elevation view of the cleaning cloth illustrated in FIG. 1.  
The cleaning cloth includes two external sheets with material sandwiched there between. The texture in the drawing is provide to aid in the understanding of the cleaning cloth and forms no part of the invention. The broken lines illustrated in the figures form no part of the claim.

**1 Claim, 4 Drawing Sheets**



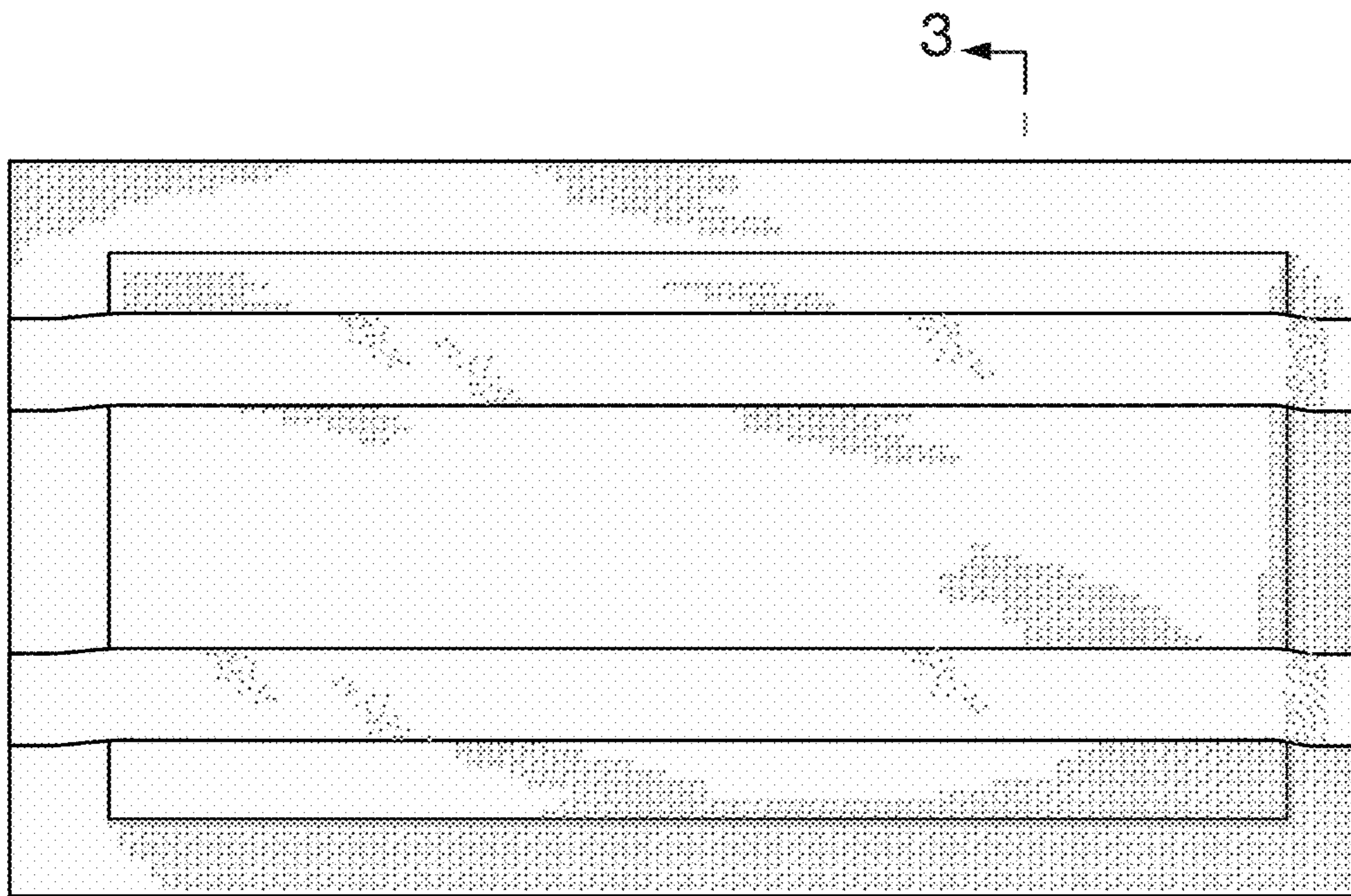


FIG. 1

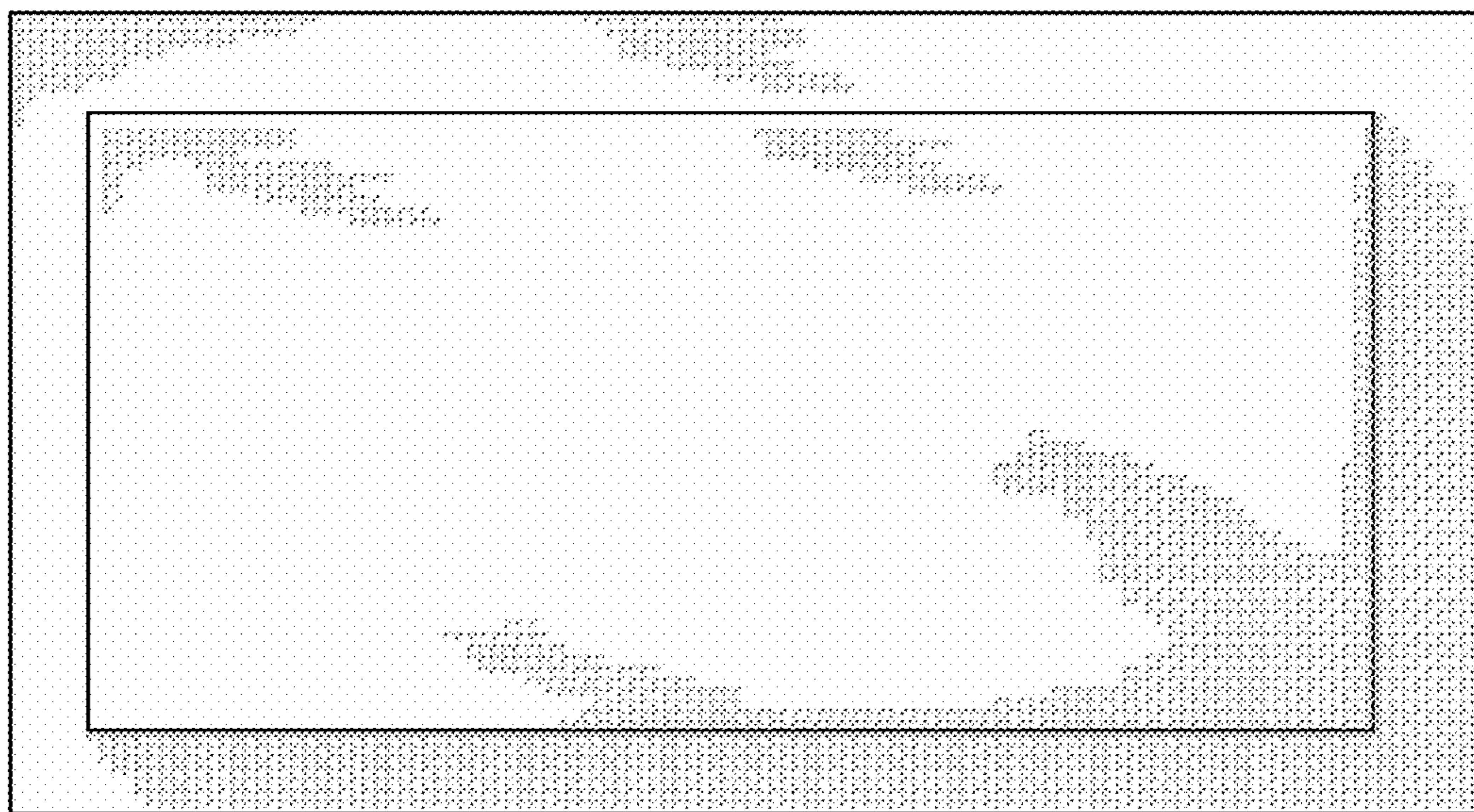


FIG. 2

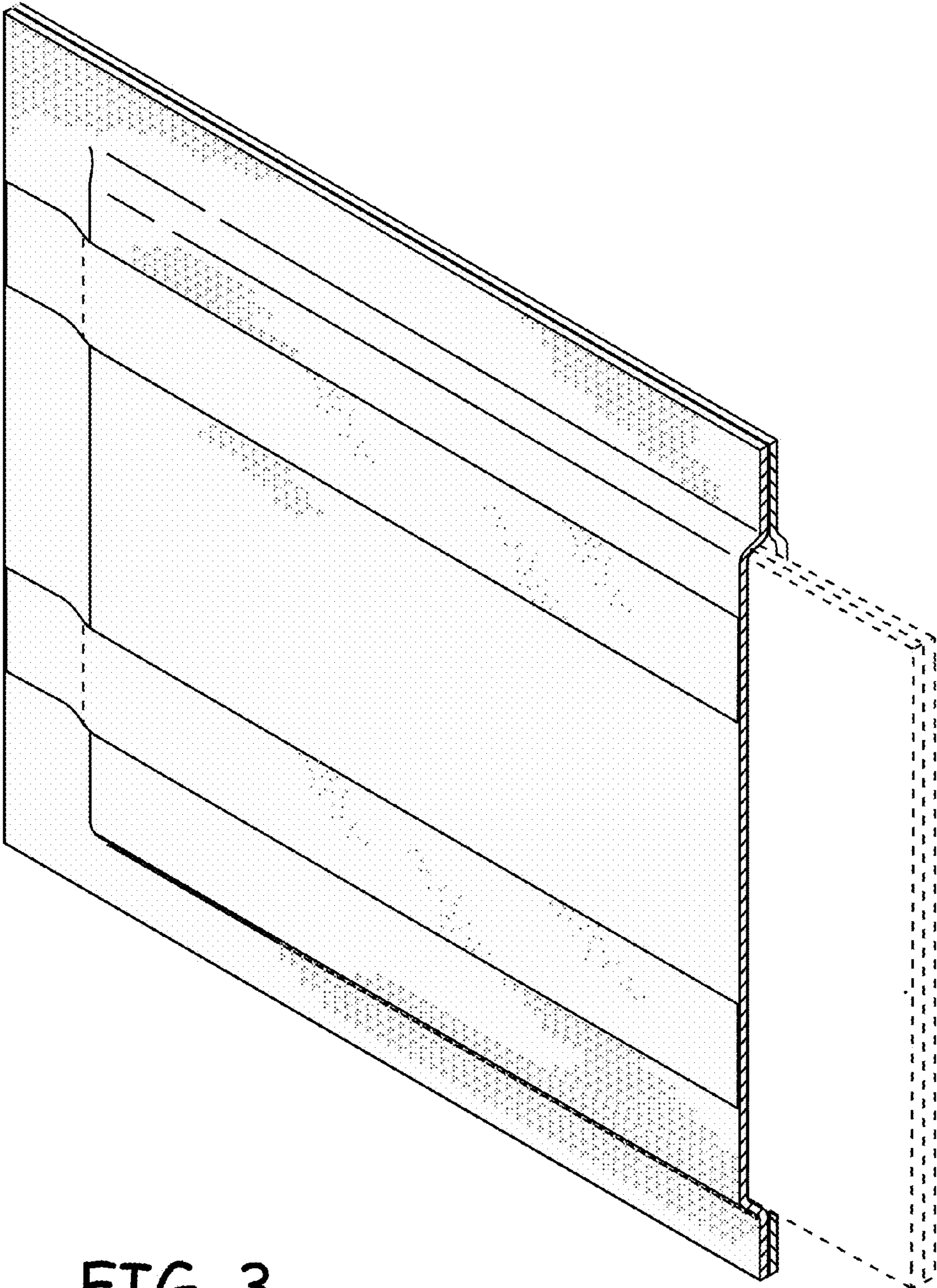


FIG. 3



FIG. 4

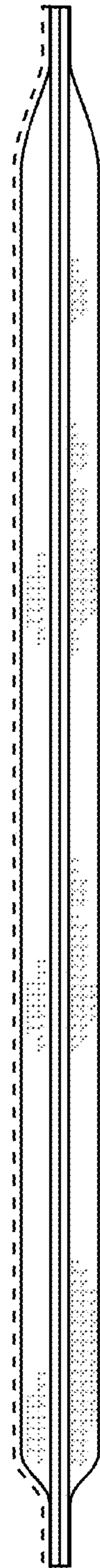


FIG. 5

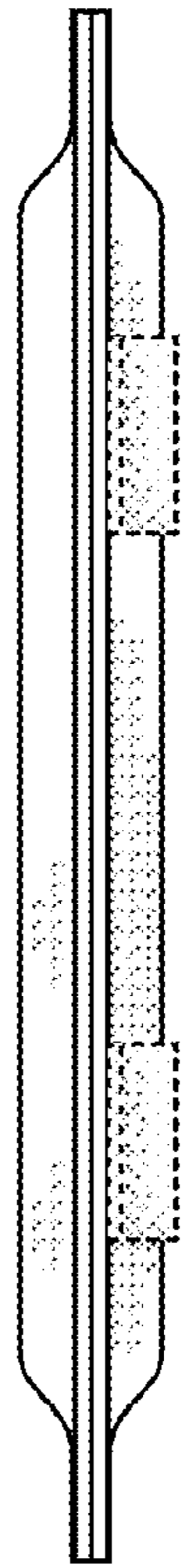


FIG. 6



FIG. 7