



US00D724282S

(12) **United States Design Patent**
Irfan et al.

(10) **Patent No.:** **US D724,282 S**
(45) **Date of Patent:** **** Mar. 10, 2015**

(54) **VACUUM CLEANER**

(71) Applicant: **Techtronic Floor Care Technology Limited**, Tortola (VG)
(72) Inventors: **Mohammed Irfan**, West Yorkshire (GB); **Ryan P. Springell**, Bucks (GB); **Keith G. Faskin**, The Borders (GB); **Darren D. Holmes**, Leicestershire (GB); **Simon Pougher**, Chester (GB); **Lee Pearson**, London (GB); **Piers C. Storey**, Cheshire (GB); **Jennifer Marsden**, Birmingham (GB)

(73) Assignee: **Techtronic Floor Care Technology Limited**, Tortola (VG)

(**) Term: **14 Years**

(21) Appl. No.: **29/481,449**

(22) Filed: **Feb. 6, 2014**

(30) **Foreign Application Priority Data**

Aug. 14, 2012 (EM) 002087767-0001
Aug. 14, 2012 (EM) 002087767-0002
Aug. 14, 2012 (EM) 002087767-0003
Aug. 14, 2012 (EM) 002087767-0004
Aug. 14, 2012 (EM) 002087767-0005

(51) **LOC (10) Cl.** **15-05**

(52) **U.S. Cl.**
USPC **D32/21**

(58) **Field of Classification Search**
CPC A47L 7/0038; A47L 5/36-5/367;
A47L 5/24; A47L 5/14; A47L 5/28; A47L
7/0019; A47L 7/0023; A47L 7/0004; A47L
9/1666; A47L 9/1683; A47L 11/34; A47L
11/4072; A47L 9/009; A47L 11/40
USPC D32/21, 23-24, 31
See application file for complete search history.

(56) **References Cited**

U.S. PATENT DOCUMENTS

D368,993 S * 4/1996 Stutzer et al. D32/21
D394,528 S * 5/1998 Pochopien et al. D32/21
D417,323 S * 11/1999 Fujita et al. D32/21
D445,226 S 7/2001 Jupp
6,484,350 B2 11/2002 Yung
D476,783 S 7/2003 Kondo et al.
D493,586 S 7/2004 Choi

(Continued)

FOREIGN PATENT DOCUMENTS

EP 1087688 9/2002

OTHER PUBLICATIONS

Canadian Patent Office Action for Application No. 149746 dated Oct. 24, 2013 (4 pages).

(Continued)

Primary Examiner — Ruth McInroy

(74) *Attorney, Agent, or Firm* — Michael Best & Friedrich LLP

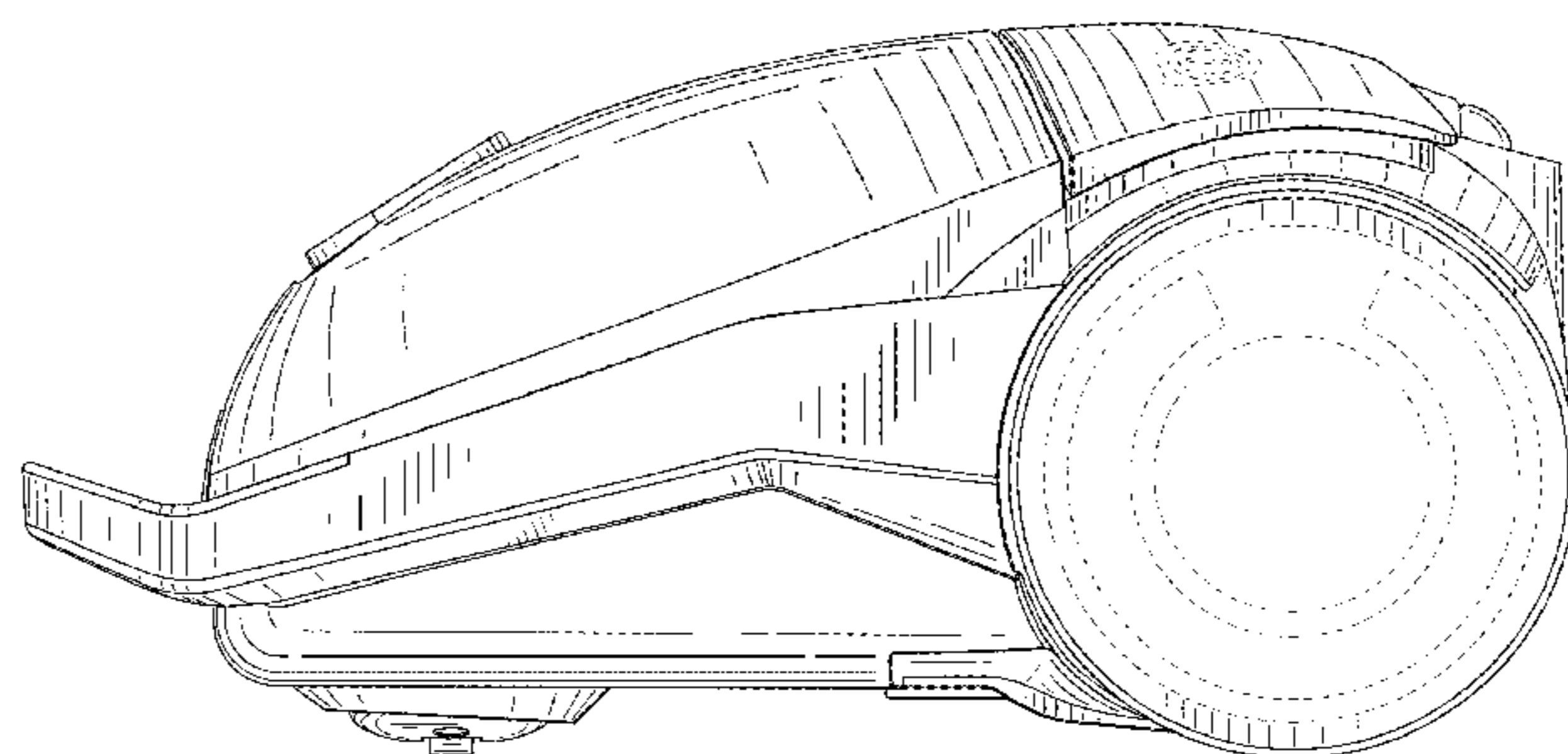
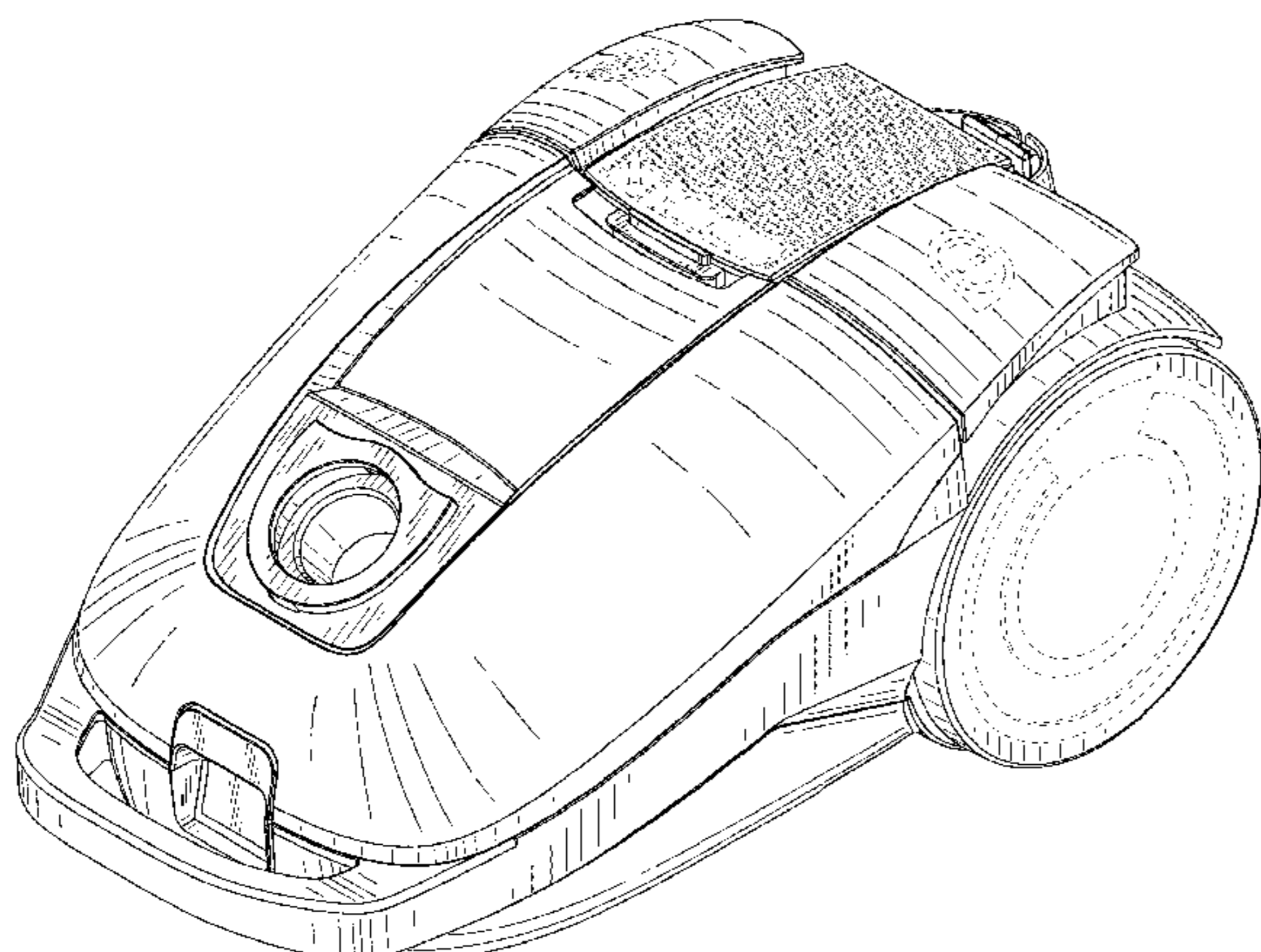
(57) **CLAIM**

We claim the ornamental design for a vacuum cleaner, as shown and described.

DESCRIPTION

FIG. 1 is a front perspective view of a vacuum cleaner showing our new design;
FIG. 2 is a front view thereof;
FIG. 3 is a top view thereof;
FIG. 4 is a bottom view thereof;
FIG. 5 is a left side view thereof;
FIG. 6 is a right side view thereof; and,
FIG. 7 is a rear view thereof.
The portions of the vacuum cleaner shown in broken lines are included for the purpose of illustrating environment and form no part of the claimed design.

1 Claim, 7 Drawing Sheets



(56)

References Cited

U.S. PATENT DOCUMENTS

7,000,288 B2 2/2006 Nighy
 D518,611 S 4/2006 Hare
 D534,696 S 1/2007 Choi
 D550,908 S 9/2007 Shin
 D550,909 S 9/2007 Shin
 D550,910 S 9/2007 Shin
 D552,310 S 10/2007 Shin
 D552,810 S 10/2007 Shin
 D552,811 S 10/2007 Shin
 D553,311 S 10/2007 Shin
 D556,400 S 11/2007 Houghton
 D559,482 S 1/2008 Jansson et al.
 7,380,308 B2 6/2008 Oh et al.
 D594,162 S 6/2009 Knox et al.
 D600,415 S * 9/2009 Svantesson D32/21
 D617,963 S * 6/2010 Ayers D32/21
 D626,709 S * 11/2010 Fjellman D32/21
 D646,030 S 9/2011 Carr et al.
 D646,031 S 9/2011 Carr et al.
 D646,855 S 10/2011 Kim et al.
 D653,823 S 2/2012 Kim et al.

D657,508 S 4/2012 Dyson et al.
 D657,921 S 4/2012 Lee
 D664,316 S * 7/2012 Kim D32/21
 D680,283 S * 4/2013 Renault D32/21
 D682,494 S * 5/2013 Kim et al. D32/21
 D702,901 S 4/2014 Fjellman
 D707,407 S 6/2014 Okabe et al.
 2002/0069476 A1 6/2002 Yung
 2013/0025086 A1 1/2013 Komae et al.

OTHER PUBLICATIONS

Co-pending U.S. Appl. No. 29/481,444, filed Feb. 6, 2014.
 Co-pending U.S. Appl. No. 29/481,445, filed Feb. 6, 2014.
 Co-pending U.S. Appl. No. 29/481,447, filed Feb. 6, 2014.
 Co-pending U.S. Appl. No. 29/445,677, filed Feb. 14, 2013.
 Co-pending U.S. Appl. No. 29/464,863, filed Aug. 21, 2013.
 Co-pending U.S. Appl. No. 29/471,498, filed Nov. 1, 2013.
 Co-pending U.S. Appl. No. 29/484,231, filed Mar. 7, 2014.
 Co-pending U.S. Appl. No. 29/484,232, filed Mar. 7, 2014.
 Co-pending U.S. Appl. No. 29/485,835, filed Mar. 24, 2014.
 Co-pending U.S. Appl. No. 29/485,842, filed Mar. 24, 2014.

* cited by examiner

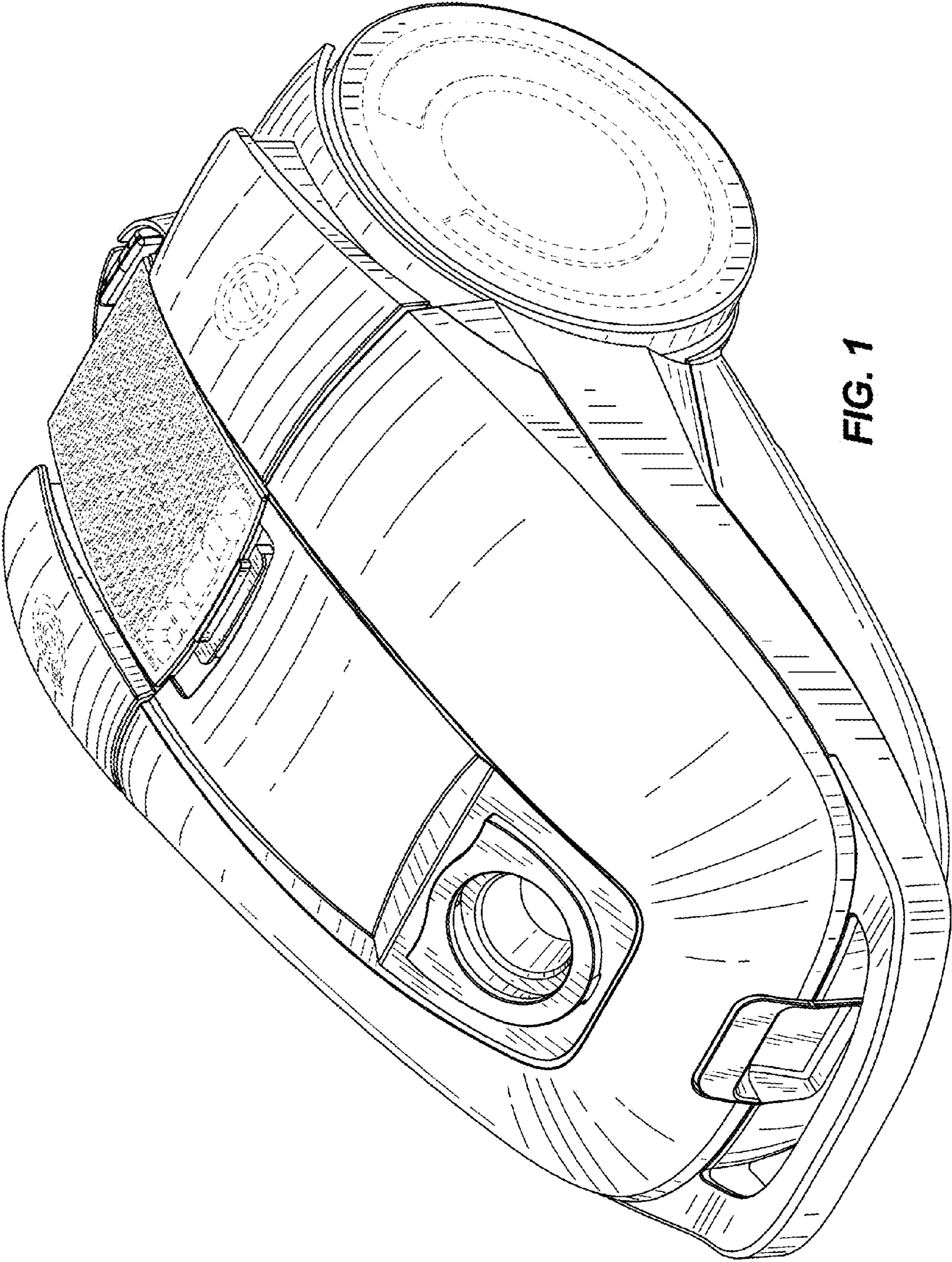


FIG. 1

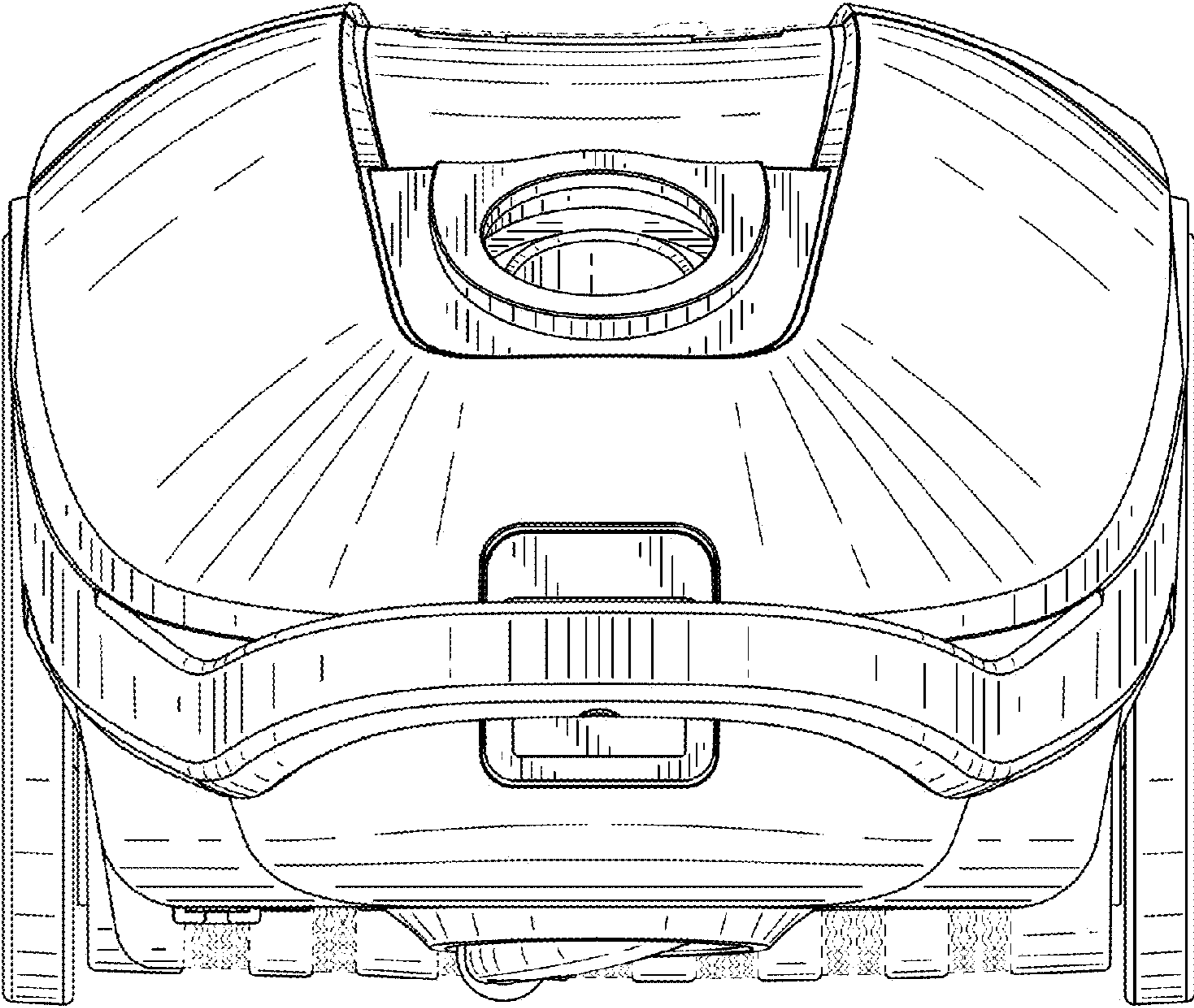


FIG. 2

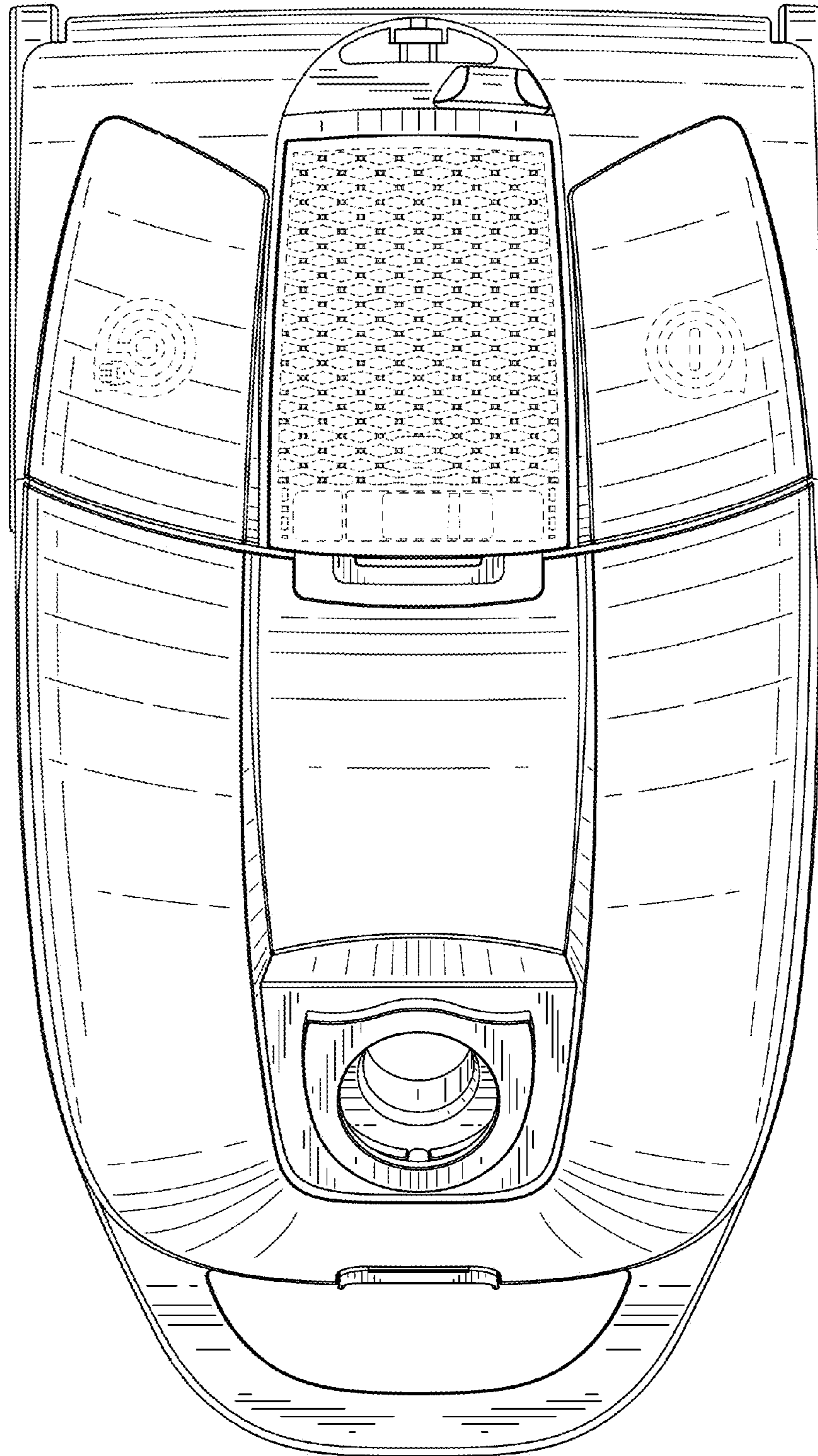


FIG. 3

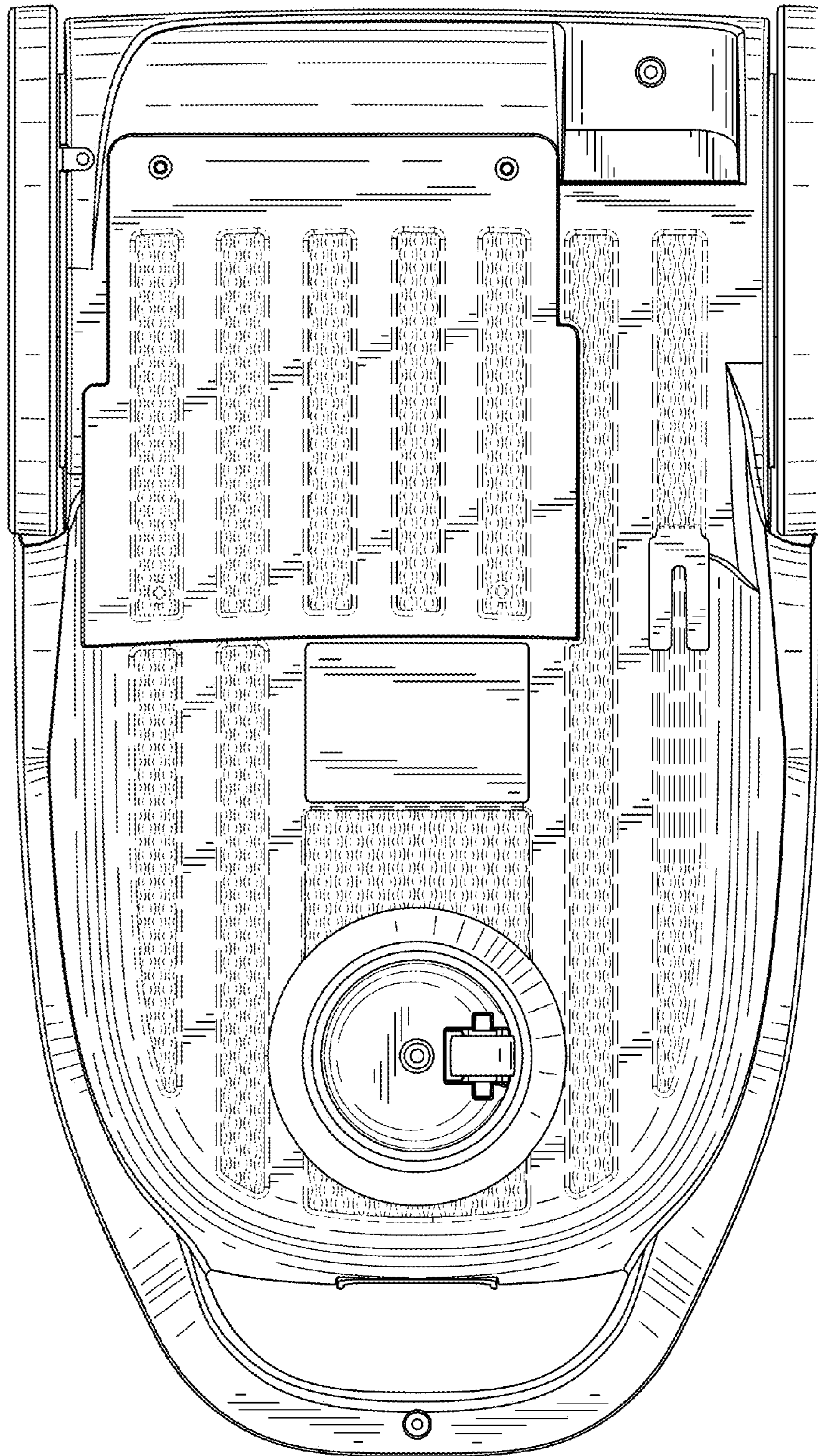


FIG. 4

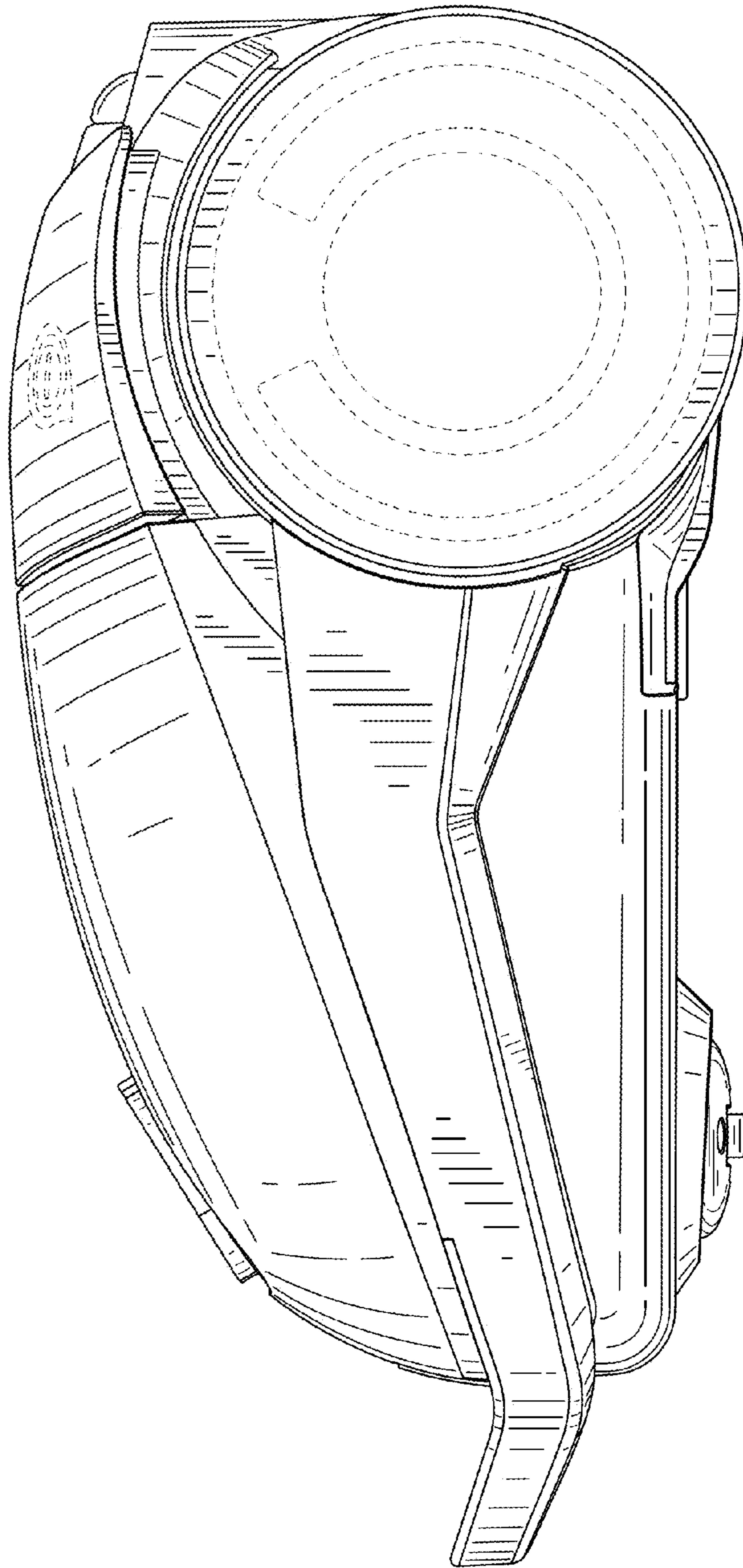


FIG. 5

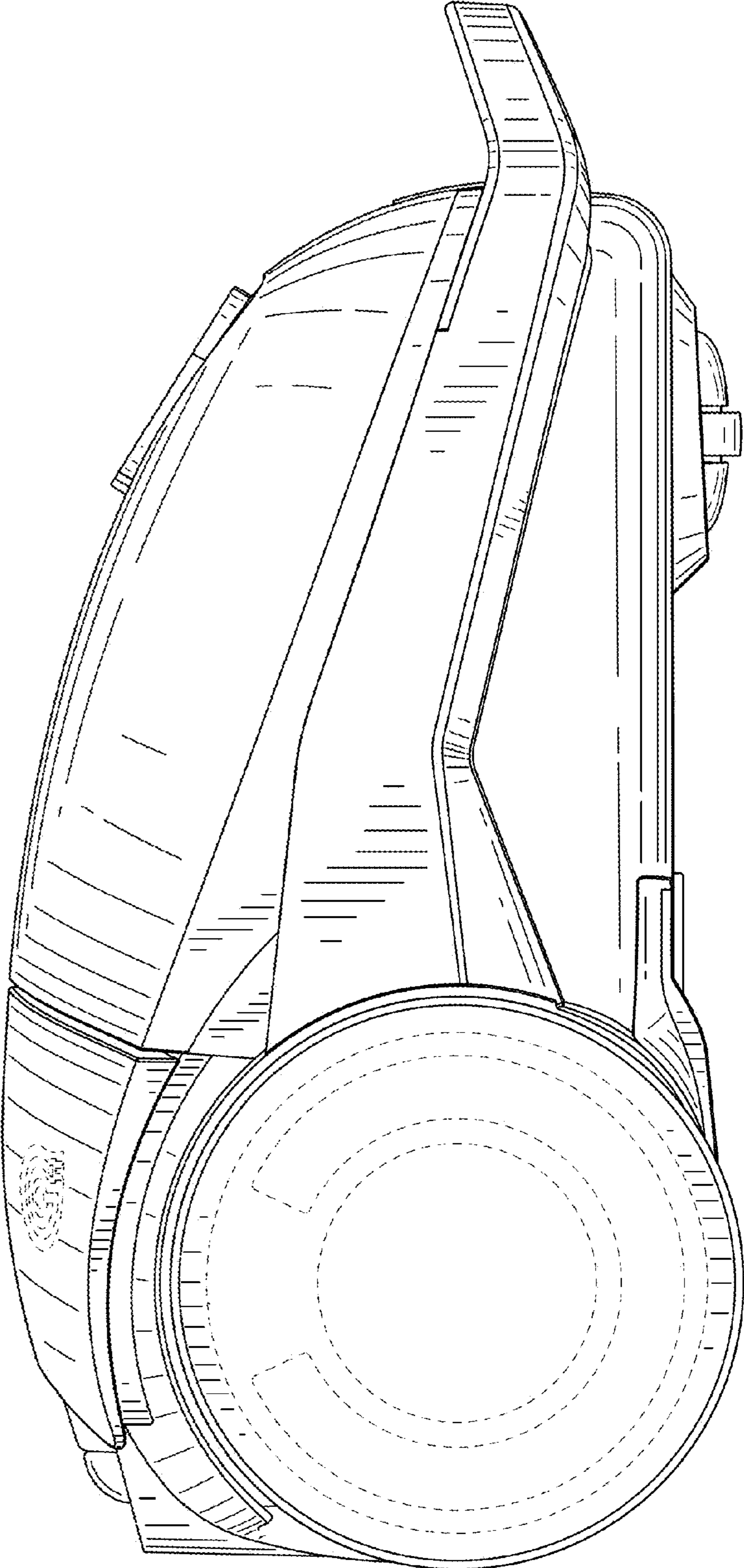


FIG. 6

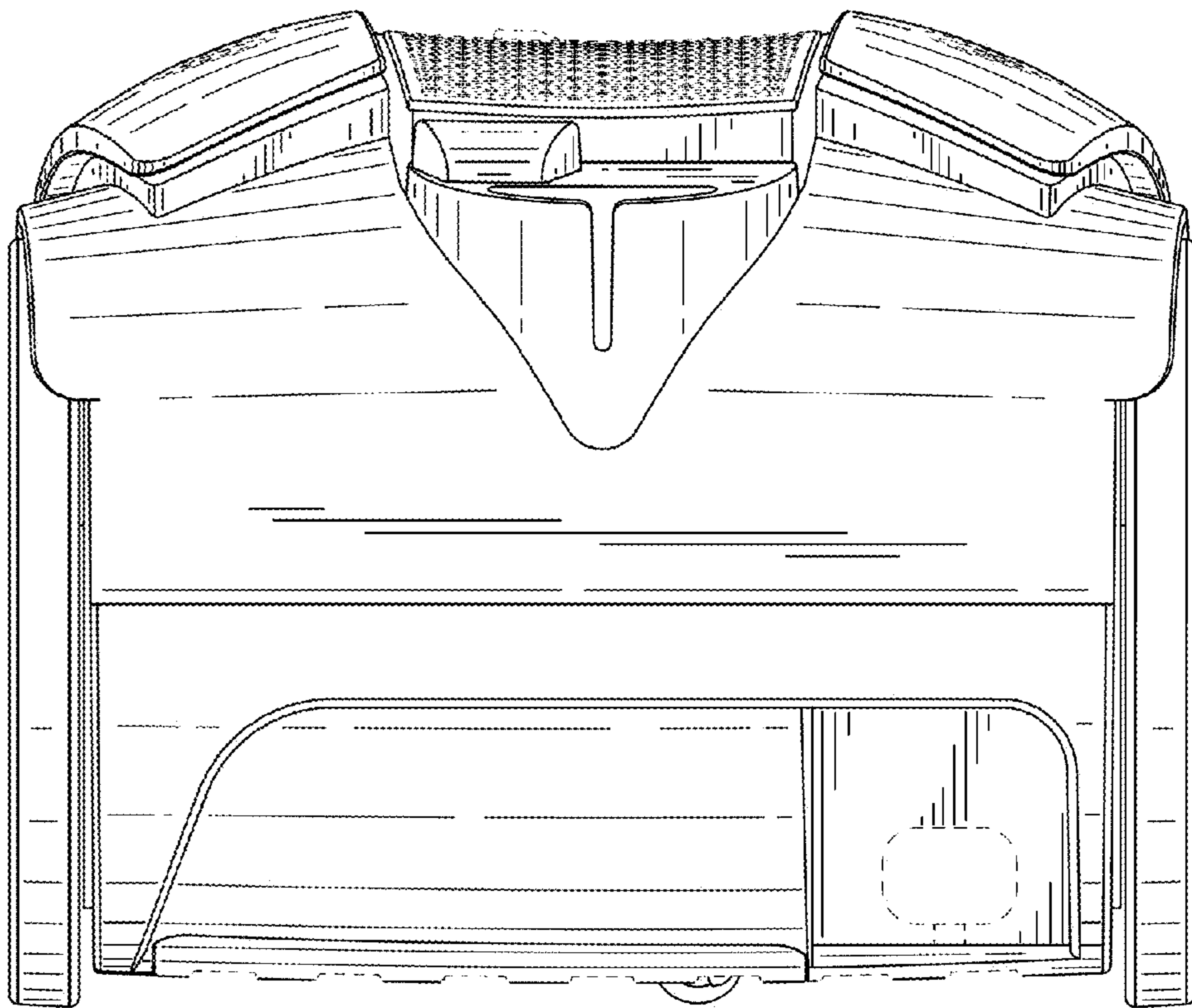


FIG. 7

UNITED STATES PATENT AND TRADEMARK OFFICE
CERTIFICATE OF CORRECTION

PATENT NO. : D724,282 S
APPLICATION NO. : 29/481449
DATED : March 10, 2015
INVENTOR(S) : Mohammed Irfan et al.

Page 1 of 1

It is certified that error appears in the above-identified patent and that said Letters Patent is hereby corrected as shown below:

In the Title Page, item 62 insert the following paragraph:

--Related U.S. Application data

Division of application No. 29/445,677, filed on February 14, 2013.--

Signed and Sealed this
Sixteenth Day of February, 2016



Michelle K. Lee
Director of the United States Patent and Trademark Office