



US00D724281S

(12) **United States Design Patent**  
**Irfan et al.**

(10) **Patent No.:** **US D724,281 S**  
(45) **Date of Patent:** **\*\* Mar. 10, 2015**

(54) **VACUUM CLEANER**

USPC ..... D32/21, 23–24, 31  
See application file for complete search history.

(71) Applicant: **Techtronic Floor Care Technology Limited**, Tortola (VG)

(56) **References Cited**

(72) Inventors: **Mohammed Irfan**, West Yorkshire (GB); **Ryan P. Springell**, Bucks (GB); **Keith G. Faskin**, The Borders (GB); **Darren D. Holmes**, Leicestershire (GB); **Simon Pougher**, Chester (GB); **Lee Pearson**, London (GB); **Piers C. Storey**, Cheshire (GB); **Jennifer Marsden**, Birmingham (GB)

U.S. PATENT DOCUMENTS

D368,993 S 4/1996 Stutzer et al.  
D394,528 S 5/1998 Pochopien et al.

(Continued)

(73) Assignee: **Techtronic Floor Care Technology Limited**, Tortola (VG)

FOREIGN PATENT DOCUMENTS

EP 1087688 9/2002

(\*\*) Term: **14 Years**

OTHER PUBLICATIONS

Canadian Patent Office Action for Application No. 149746 dated Oct. 24, 2013 (4 pages).

(Continued)

(21) Appl. No.: **29/481,445**

*Primary Examiner* — Ruth McInroy

(22) Filed: **Feb. 6, 2014**

(74) *Attorney, Agent, or Firm* — Michael Best & Friedrich LLP

**Related U.S. Application Data**

(62) Division of application No. 29/445,677, filed on Feb. 14, 2013.

(57) **CLAIM**

We claim the ornamental design for a vacuum cleaner, as shown and described.

(30) **Foreign Application Priority Data**

Aug. 14, 2012 (EM) ..... 002087767-0001  
Aug. 14, 2012 (EM) ..... 002087767-0002  
Aug. 14, 2012 (EM) ..... 002087767-0003  
Aug. 14, 2012 (EM) ..... 002087767-0004  
Aug. 14, 2012 (EM) ..... 002087767-0005

**DESCRIPTION**

FIG. 1 is a front perspective view of a vacuum cleaner showing our new design;  
FIG. 2 is a front view thereof;  
FIG. 3 is a top view thereof;  
FIG. 4 is a bottom view thereof;  
FIG. 5 is a left side view thereof;  
FIG. 6 is a right side view thereof; and,  
FIG. 7 is a rear view thereof.

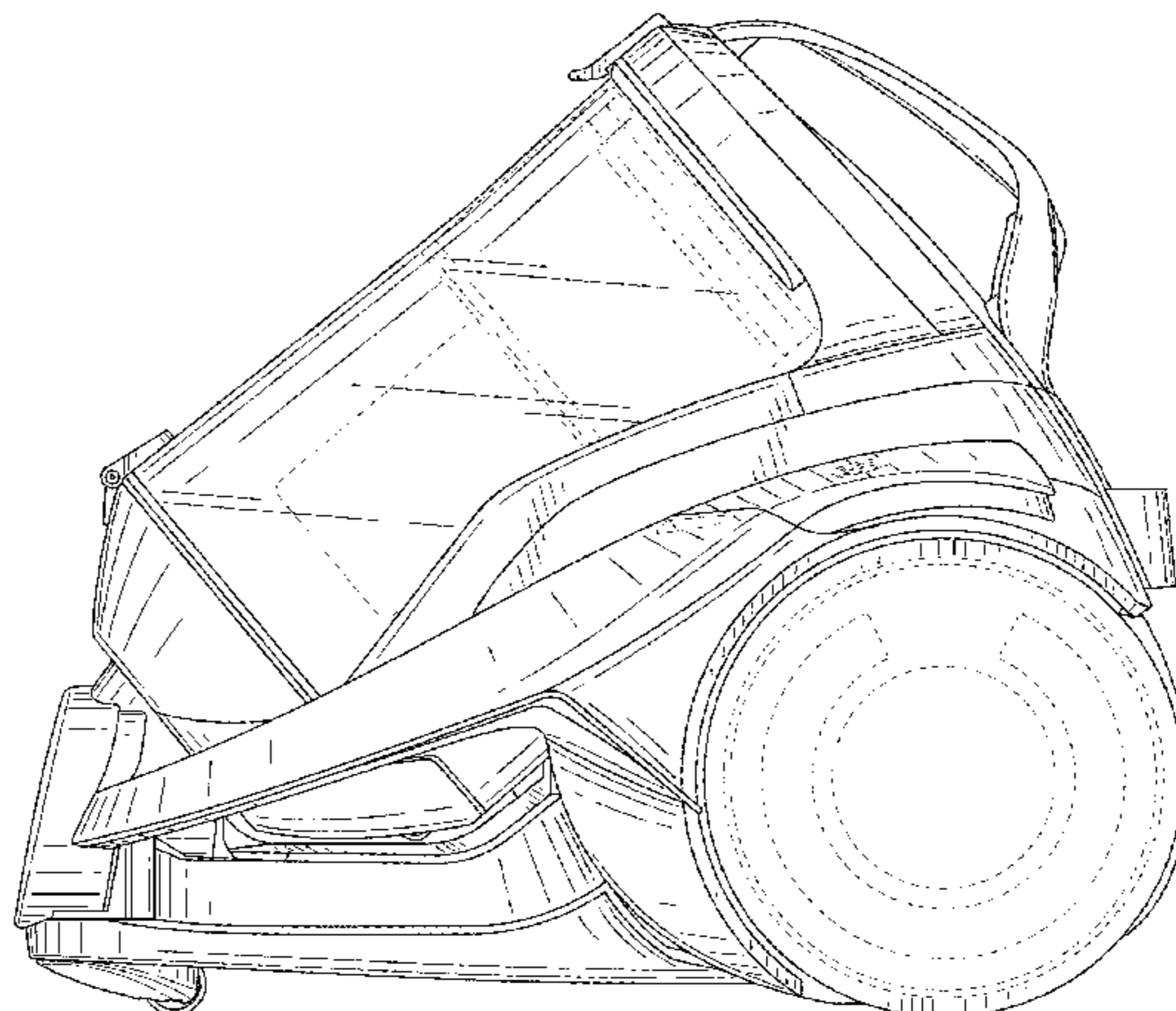
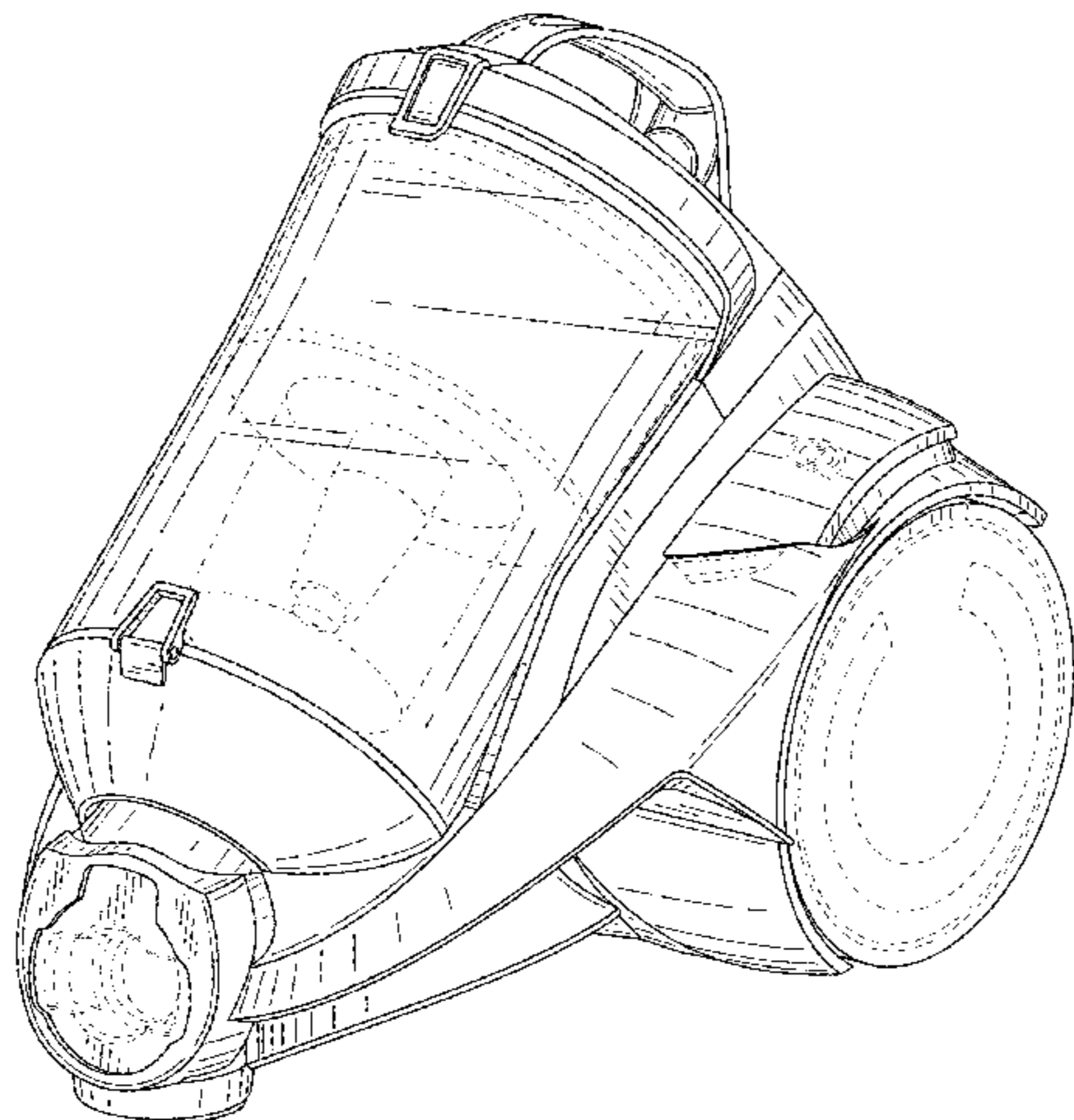
(51) **LOC (10) Cl.** ..... **15-05**

(52) **U.S. Cl.**  
USPC ..... **D32/21**

The portions of the vacuum cleaner shown in broken lines are included for the purpose of illustrating environment and form no part of the claimed design.

(58) **Field of Classification Search**  
CPC ..... A47L 7/0038; A47L 5/36–5/367;  
A47L 5/24; A47L 5/14; A47L 5/28; A47L  
7/0019; A47L 7/0023; A47L 7/0004; A47L  
9/1666; A47L 9/1683; A47L 11/34; A47L  
11/4072; A47L 9/009; A47L 11/40

**1 Claim, 7 Drawing Sheets**



(56)

References Cited

U.S. PATENT DOCUMENTS

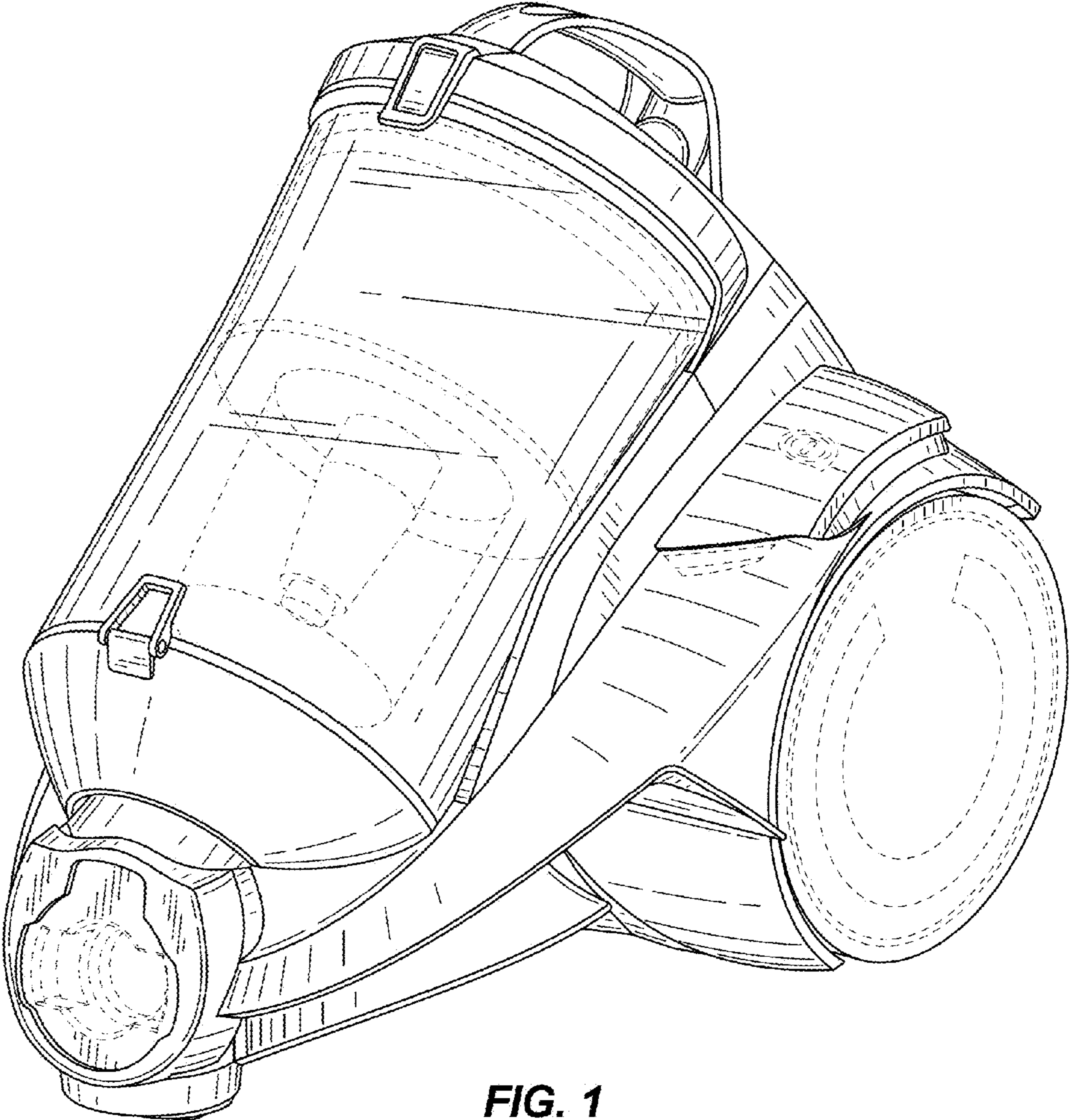
D417,323 S 11/1999 Fujita et al.  
 D445,226 S \* 7/2001 Jupp ..... D32/21  
 6,484,350 B2 11/2002 Yung  
 D476,783 S 7/2003 Kondo et al.  
 D493,586 S 7/2004 Choi  
 7,000,288 B2 2/2006 Nighy  
 D518,611 S \* 4/2006 Hare ..... D32/21  
 D534,696 S 1/2007 Choi  
 D550,908 S 9/2007 Shin  
 D550,909 S 9/2007 Shin  
 D550,910 S 9/2007 Shin  
 D552,310 S \* 10/2007 Shin ..... D32/21  
 D552,810 S 10/2007 Shin  
 D552,811 S 10/2007 Shin  
 D553,311 S 10/2007 Shin  
 D556,400 S 11/2007 Houghton  
 D559,482 S 1/2008 Jansson et al.  
 7,380,308 B2 \* 6/2008 Oh et al. .... 15/327.2  
 D594,162 S \* 6/2009 Knox et al. .... D32/21  
 D600,415 S 9/2009 Svantesson  
 D617,963 S 6/2010 Ayers  
 D626,709 S 11/2010 Fjellman  
 D646,030 S \* 9/2011 Carr et al. .... D32/21

D646,031 S 9/2011 Carr et al.  
 D646,855 S 10/2011 Kim et al.  
 D653,823 S 2/2012 Kim et al.  
 D657,508 S 4/2012 Dyson et al.  
 D657,921 S 4/2012 Lee  
 D664,316 S 7/2012 Kim  
 D680,283 S 4/2013 Renault  
 D682,494 S 5/2013 Kim et al.  
 D702,901 S \* 4/2014 Fjellman ..... D32/21  
 D707,407 S \* 6/2014 Okabe et al. .... D32/21  
 2002/0069476 A1 6/2002 Yung  
 2013/0025086 A1 1/2013 Komae et al.

OTHER PUBLICATIONS

Co-pending U.S. Appl. No. 29/481,444, filed Feb. 6, 2014.  
 Co-pending U.S. Appl. No. 29/481,447, filed Feb. 6, 2014.  
 Co-pending U.S. Appl. No. 29/481,449, filed Feb. 6, 2014.  
 Co-pending U.S. Appl. No. 29/445,677, filed Feb. 14, 2013.  
 Co-pending U.S. Appl. No. 29/464,863, filed Aug. 21, 2013.  
 Co-pending U.S. Appl. No. 29/471,498, filed Nov. 1, 2013.  
 Co-pending U.S. Appl. No. 29/484,231, filed Mar. 7, 2014.  
 Co-pending U.S. Appl. No. 29/484,232, filed Mar. 7, 2014.  
 Co-pending U.S. Appl. No. 29/485,835, filed Mar. 24, 2014.  
 Co-pending U.S. Appl. No. 29/485,842, filed Mar. 24, 2014.

\* cited by examiner



**FIG. 1**

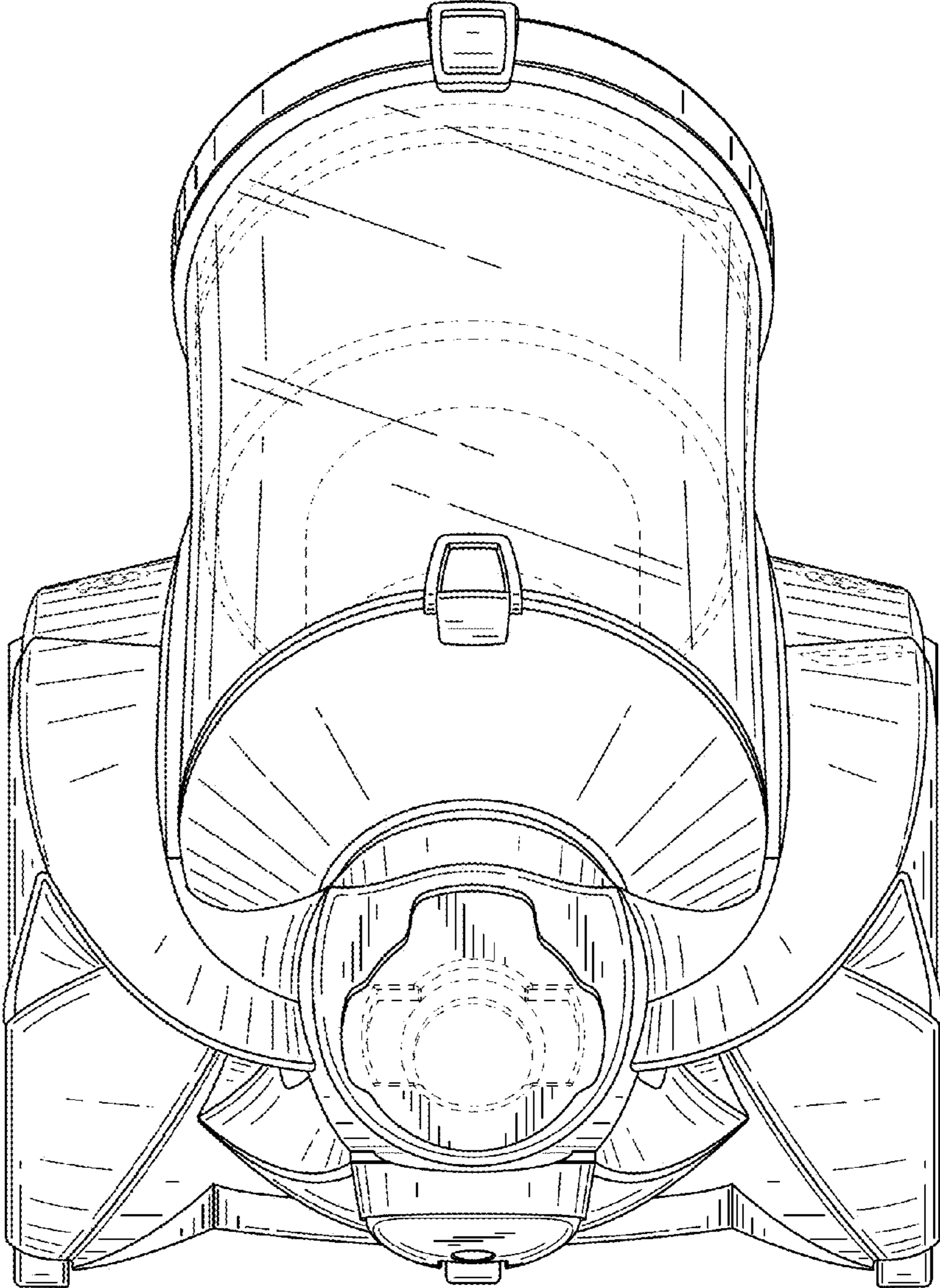


FIG. 2

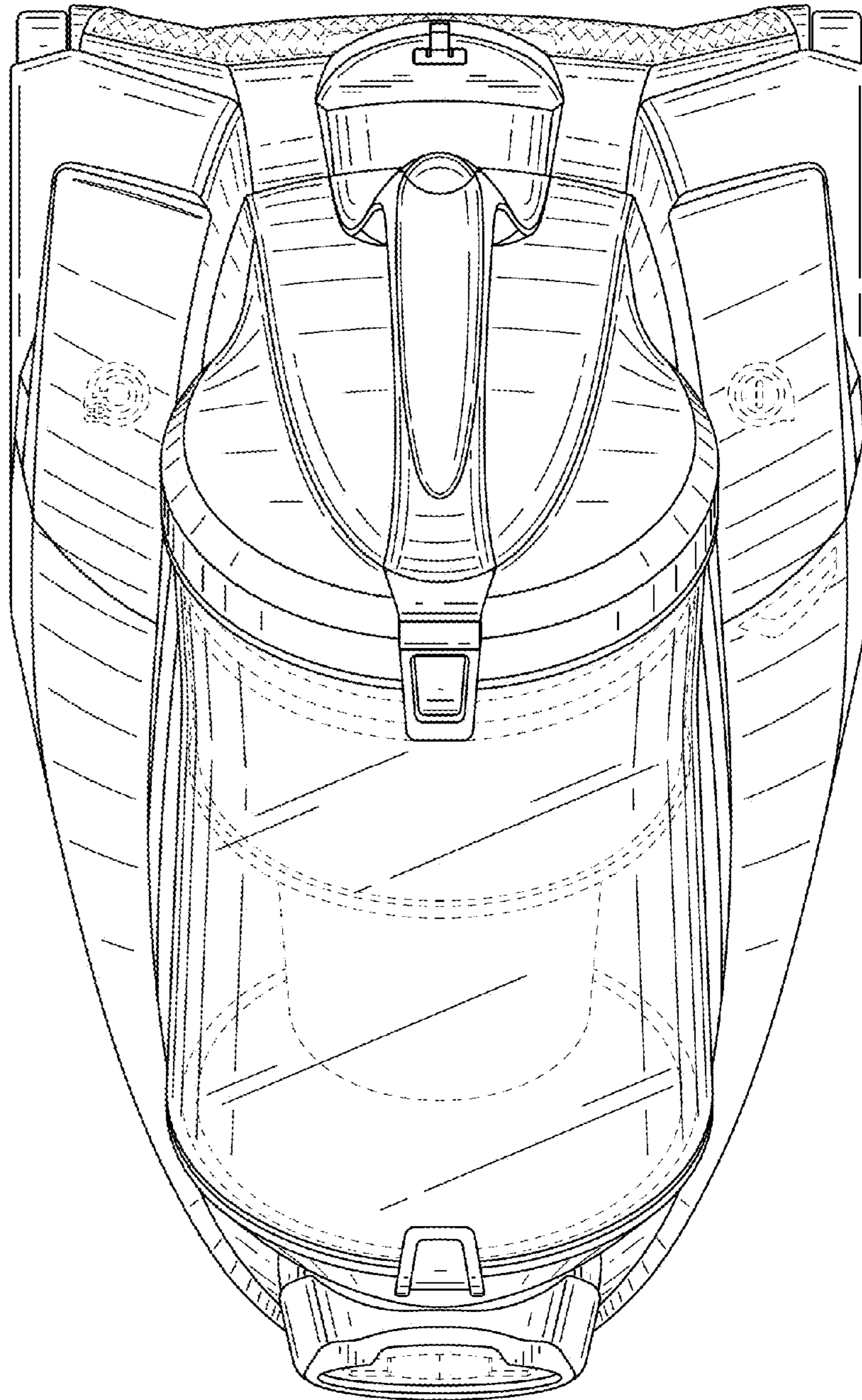


FIG. 3

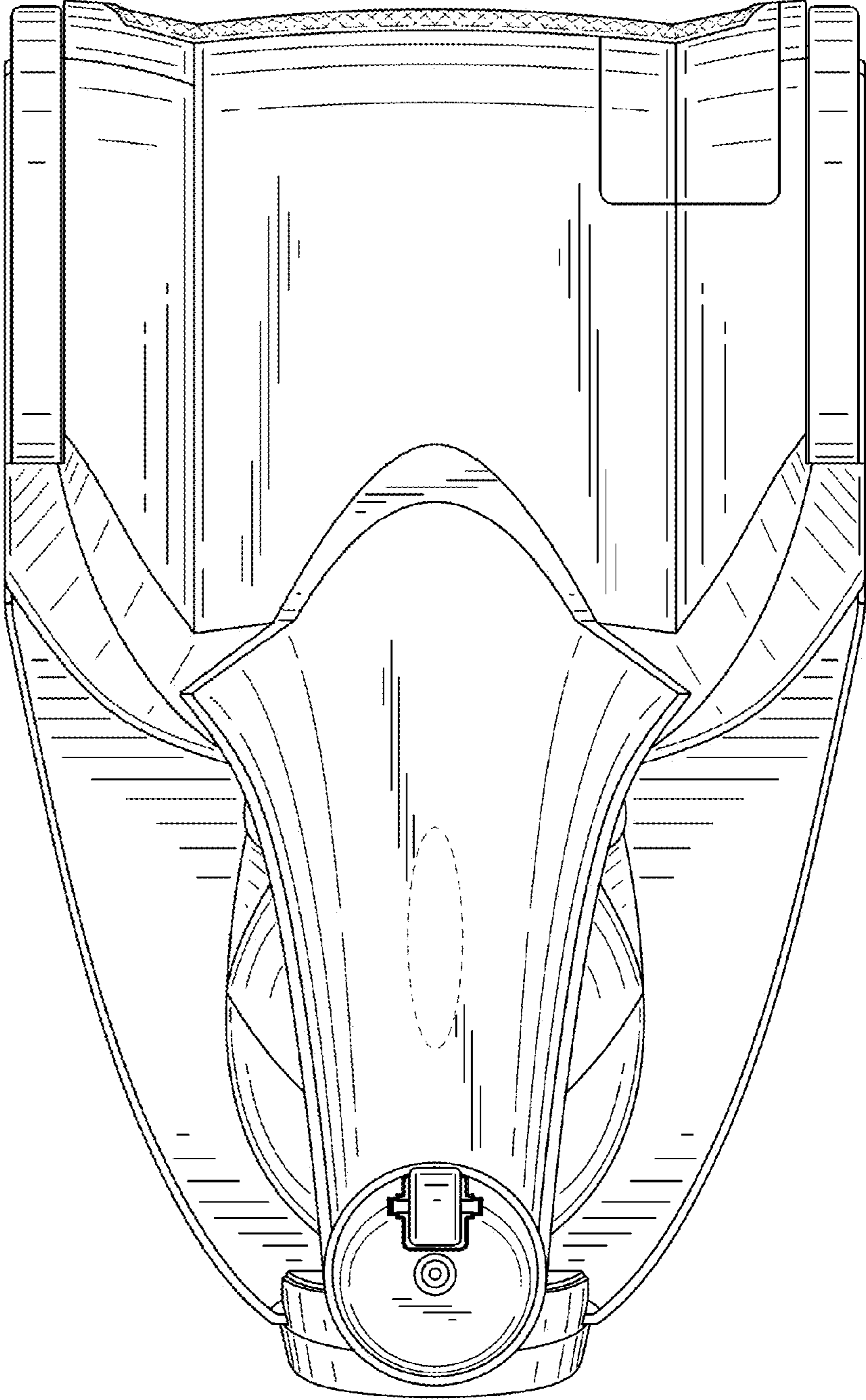


FIG.4

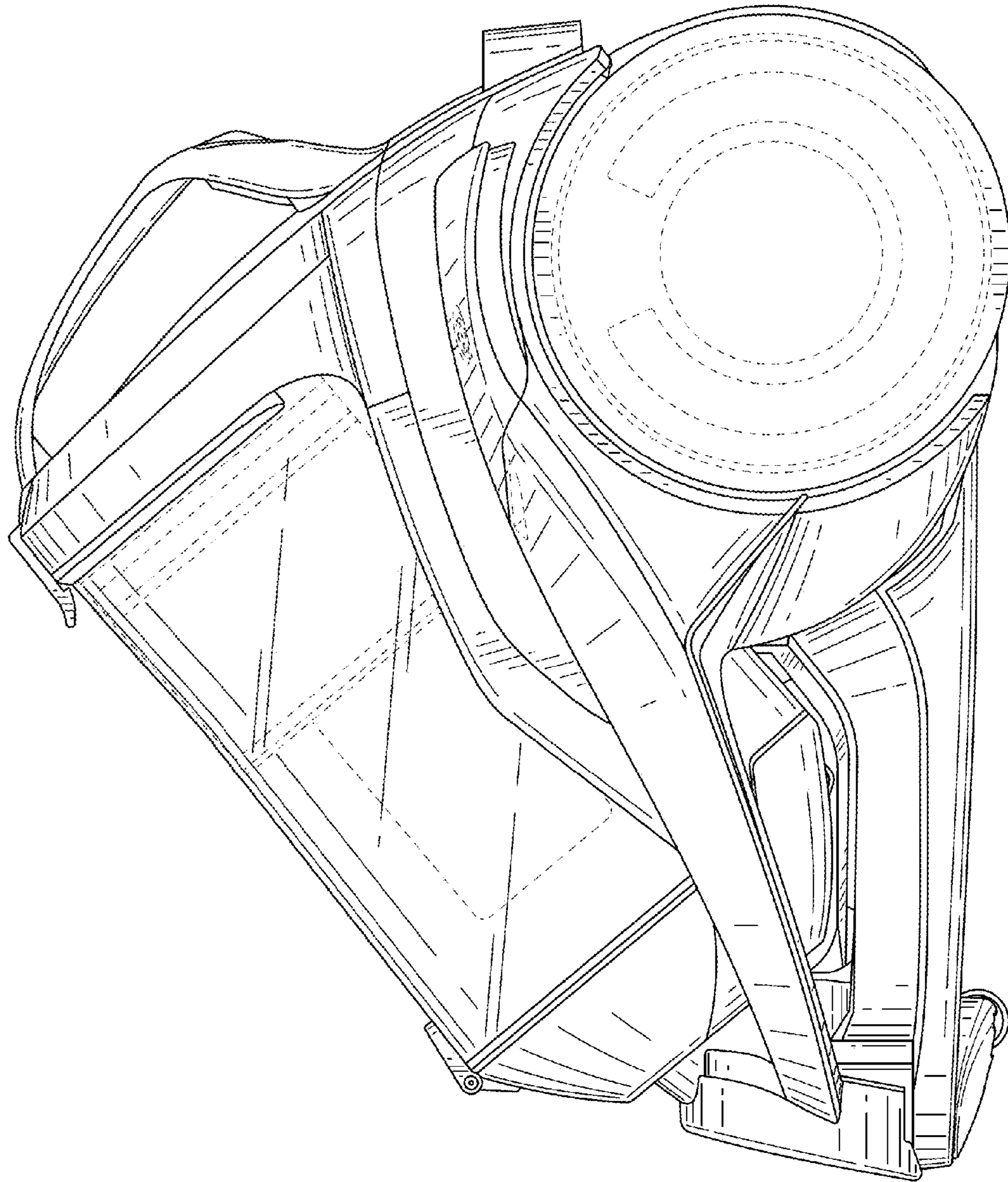


FIG. 5

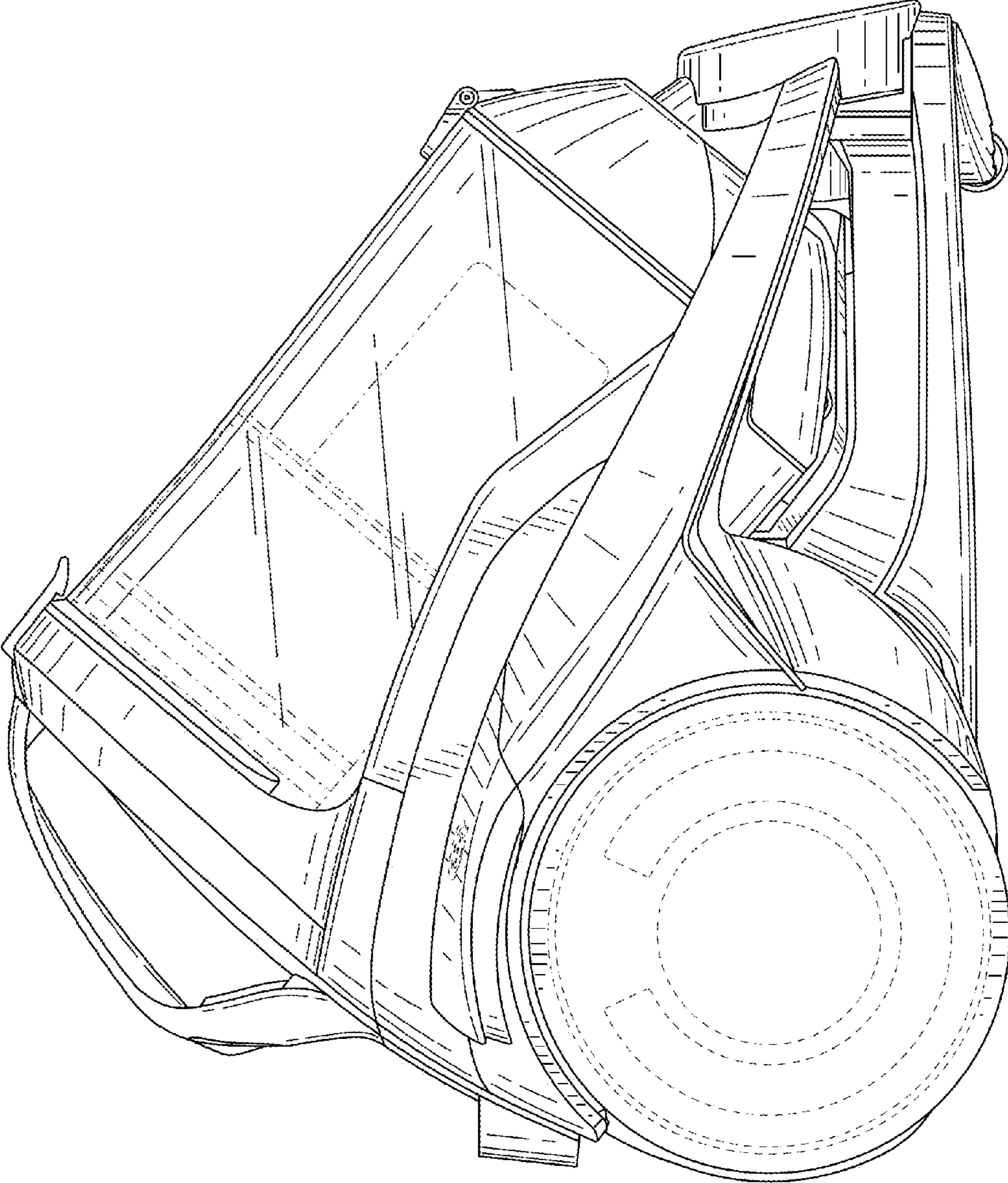


FIG. 6



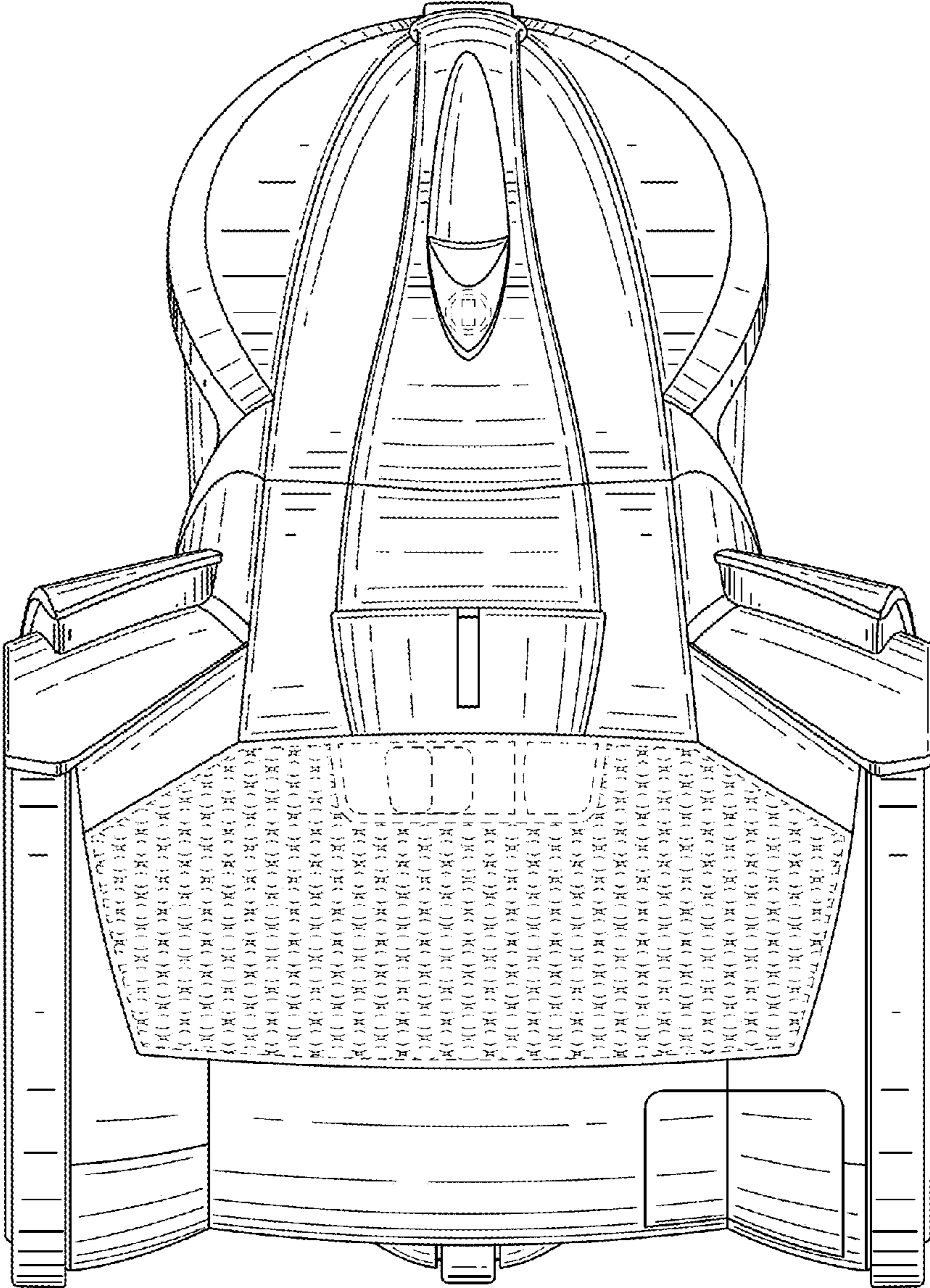


FIG. 7