



US00D724280S

(12) **United States Design Patent**
Diskin et al.

(10) **Patent No.:** **US D724,280 S**
(45) **Date of Patent:** **** Mar. 10, 2015**

- (54) **FISH LAUNCH PET TOY**
- (71) Applicant: **Worldwise, Inc.**, San Rafael, CA (US)
- (72) Inventors: **Aimee Diskin**, Napa, CA (US); **Regina Chern**, Danville, CA (US); **Sara Paculdo**, Novato, CA (US)
- (73) Assignee: **Worldwise, Inc.**, San Rafael, CA (US)
- (**) Term: **14 Years**
- (21) Appl. No.: **29/487,623**
- (22) Filed: **Apr. 10, 2014**
- (51) **LOC (10) Cl.** **30-99**
- (52) **U.S. Cl.**
USPC **D30/160**
- (58) **Field of Classification Search**
CPC A01K 15/00; A01K 15/02; A01K 29/00;
A36H 3/28; A63H 11/10; A63H 13/38;
A63H 15/04; A63H 15/06; G09F 19/00
USPC D30/160; 119/621, 702, 706-711;
D21/599
See application file for complete search history.

D251,315 S *	3/1979	Saitoh	D21/599
D298,153 S *	10/1988	Stephens	D21/599
4,907,537 A *	3/1990	Shirk	119/707
4,960,075 A *	10/1990	Klatt	119/707
D498,173 S *	11/2004	Weiser et al.	D21/599
7,219,626 B2 *	5/2007	Hurwitz	119/707
7,878,151 B2 *	2/2011	Tsengas	119/707
D636,032 S *	4/2011	Oestreicher	D21/599

* cited by examiner

Primary Examiner — Cathy A MacCormac

(74) *Attorney, Agent, or Firm* — Bay Area Technology Law Group PC

(56) **References Cited**

U.S. PATENT DOCUMENTS

D159,744 S *	8/1950	Low	D30/160
3,727,583 A *	4/1973	Muraro	119/711
D246,395 S *	11/1977	Saito	D21/599

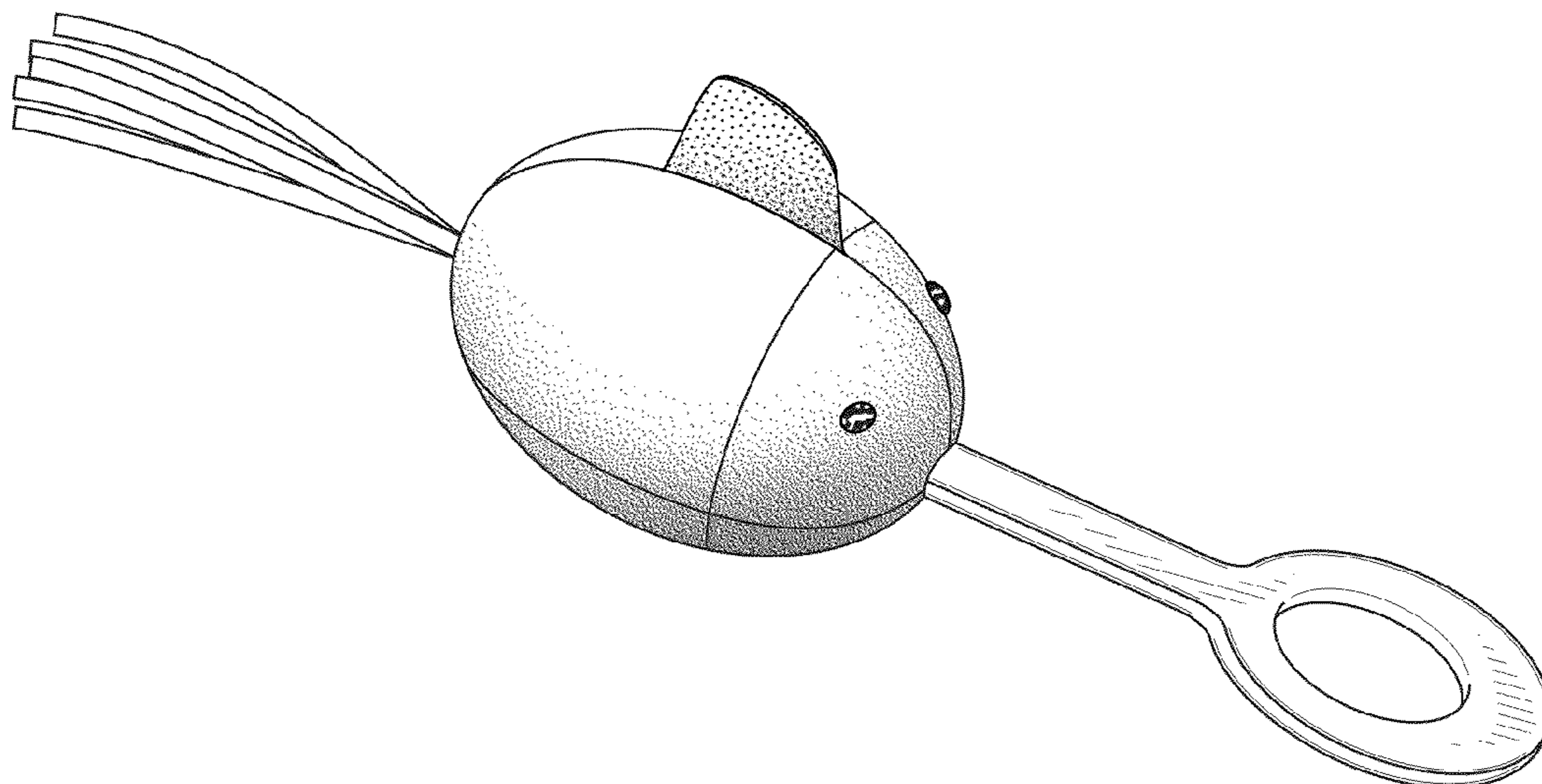
(57) **CLAIM**

The ornamental design for a fish launch pet toy, as shown and described.

DESCRIPTION

FIG. 1 is a perspective view of a fish launch pet toy showing my new design;
 FIG. 2 is a left side view of FIG. 1;
 FIG. 3 is a right side view of FIG. 1;
 FIG. 4 is a top view of FIG. 1;
 FIG. 5 is a bottom view of FIG. 1;
 FIG. 6 is a front view of FIG. 1; and,
 FIG. 7 is a back view of FIG. 1.

1 Claim, 2 Drawing Sheets



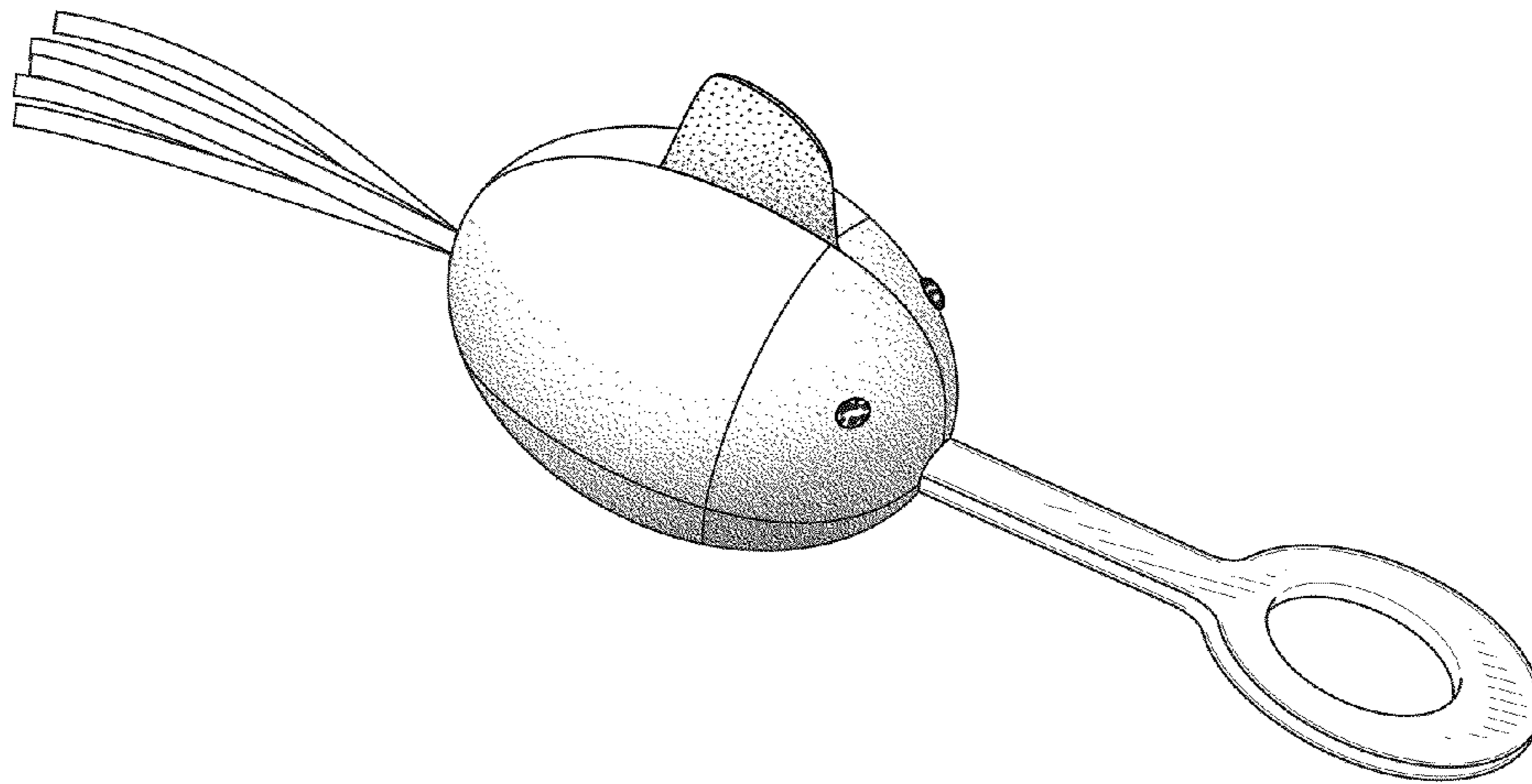


FIG. 1

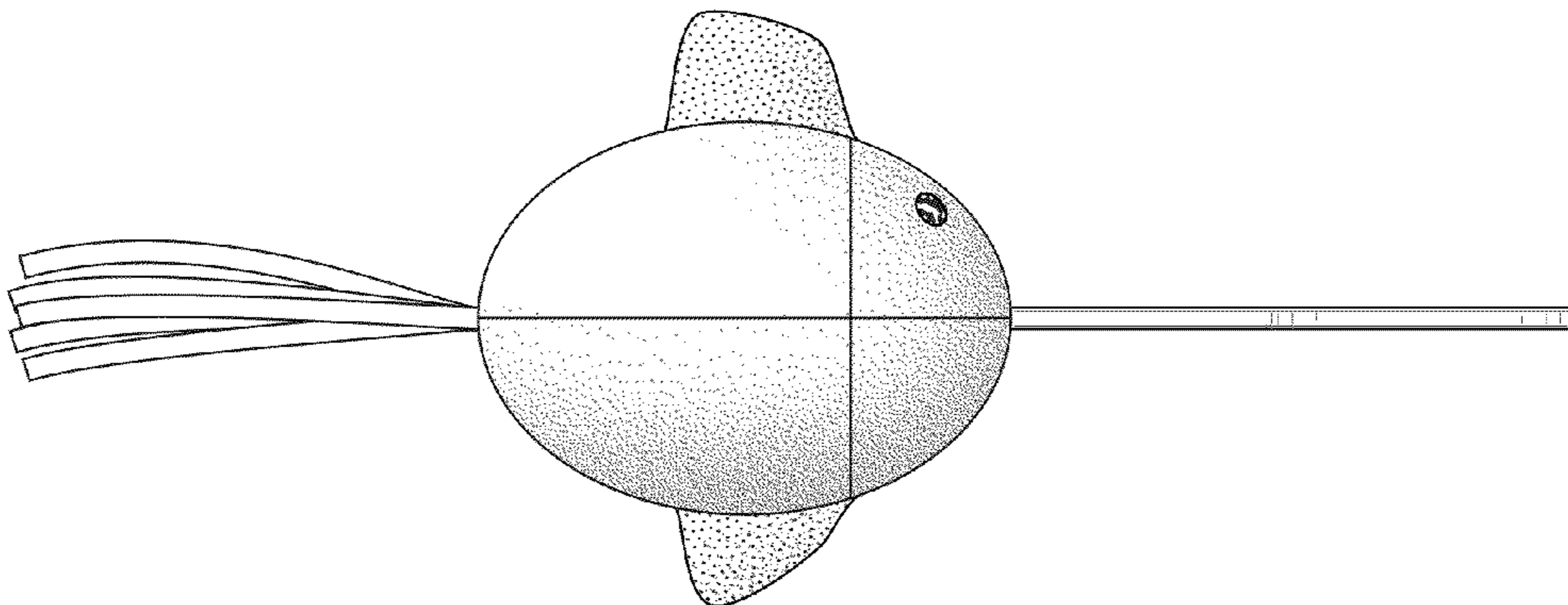


FIG. 2

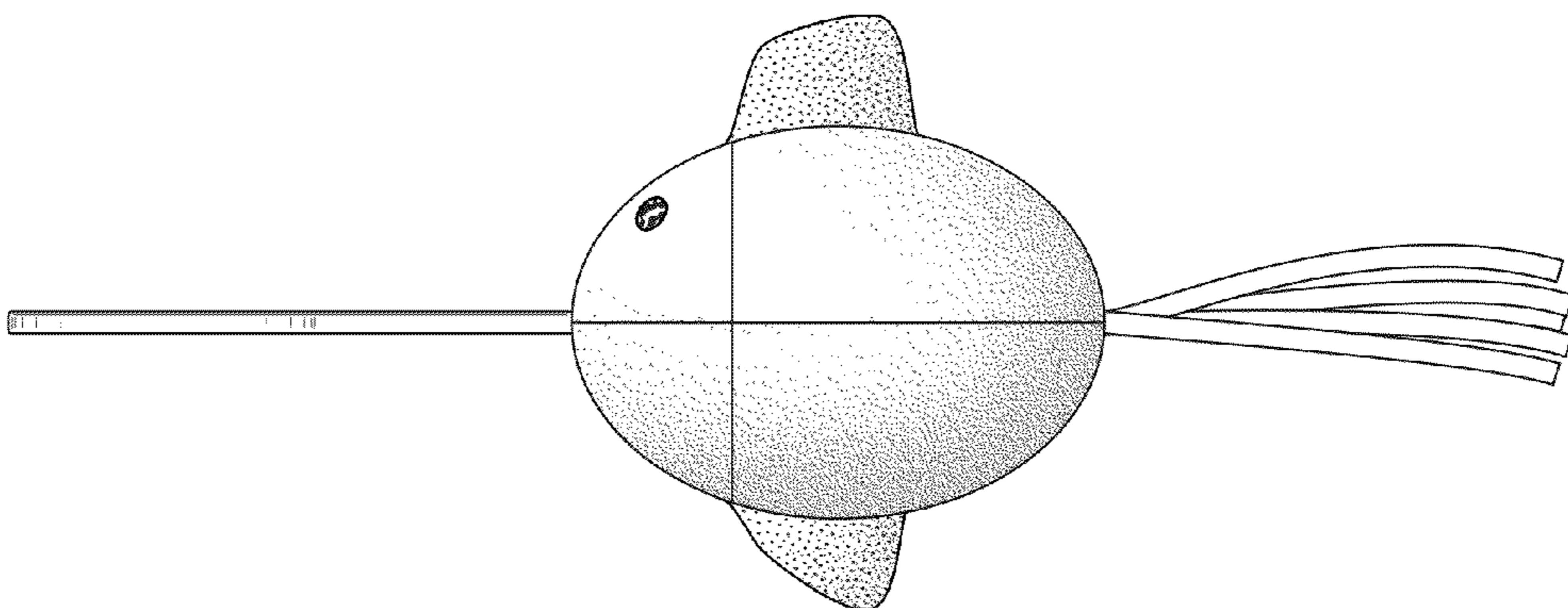


FIG. 3

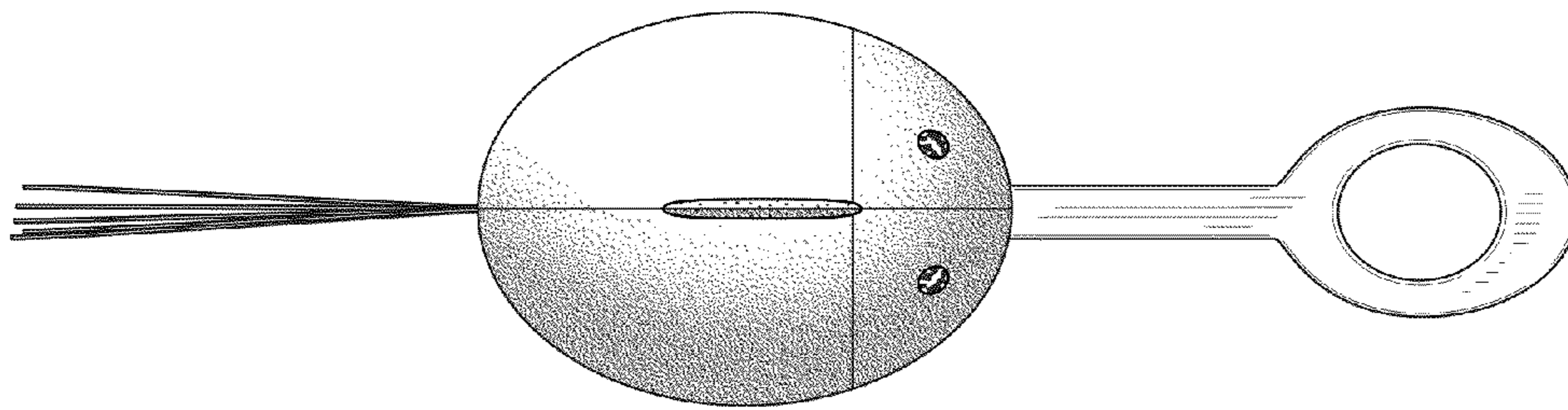


FIG. 4

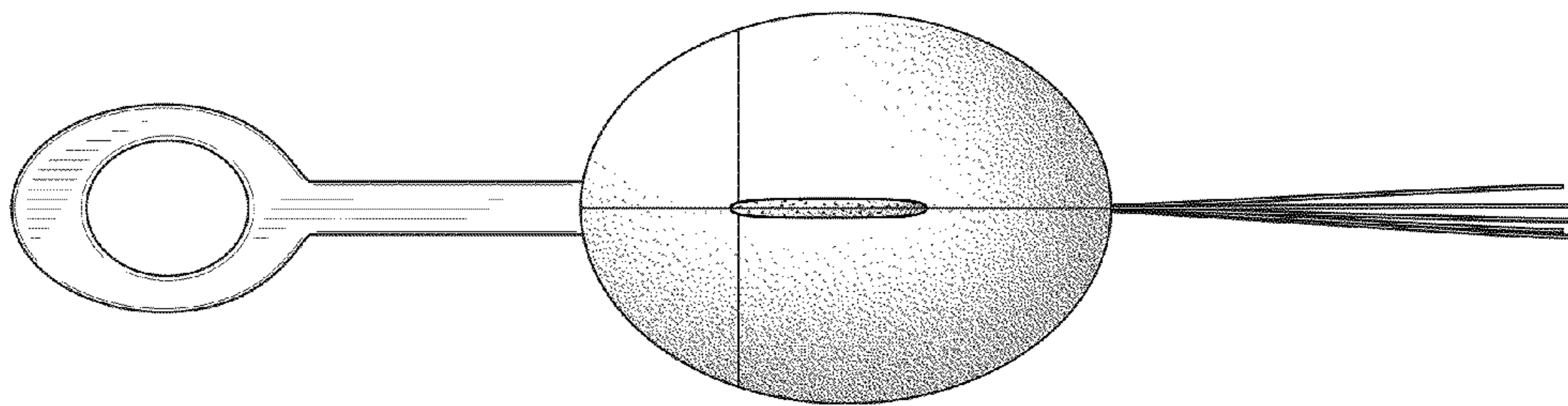


FIG. 5

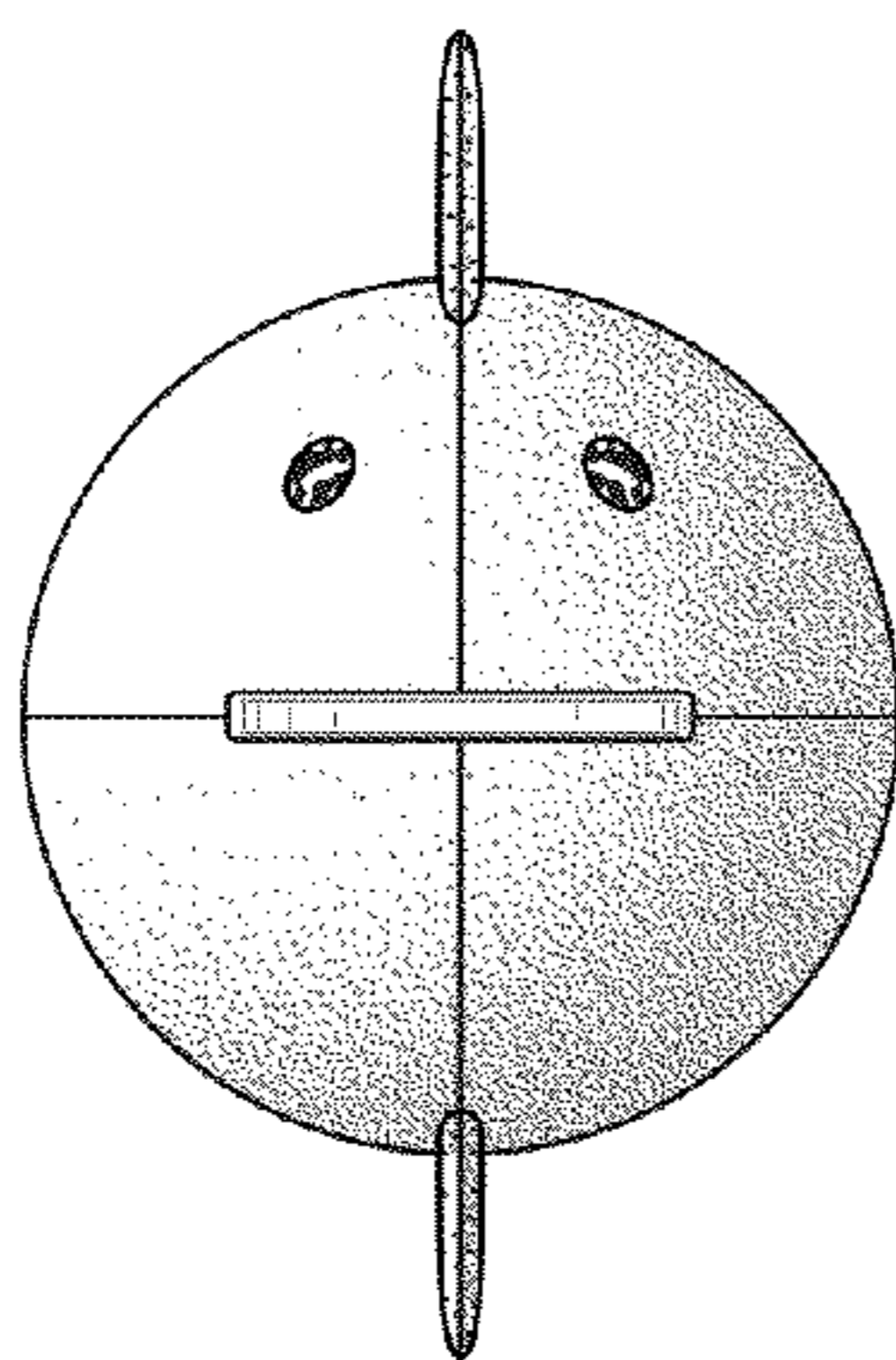


FIG. 6

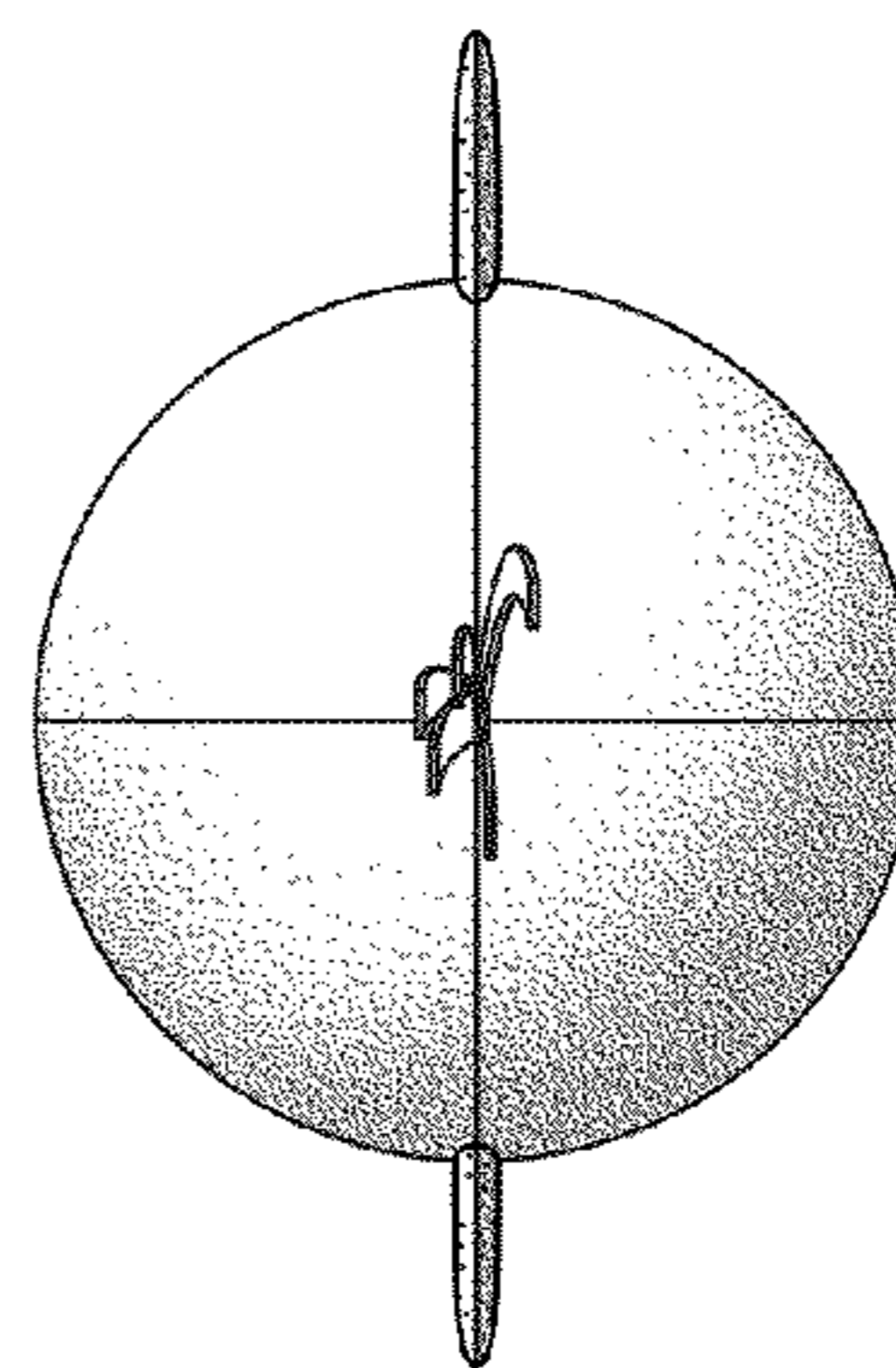


FIG. 7