

US00D724277S

(12) **United States Design Patent**  
**Avalos Sartorio et al.**

(10) **Patent No.:** **US D724,277 S**  
(45) **Date of Patent:** **\*\* Mar. 10, 2015**

- (54) **FOOD PLATE FOR PETS**
- (71) Applicants: **Miguel José Avalos Sartorio**, Zapata (MX); **Carlos José Avalos Sartorio**, Zapata (MX)
- (72) Inventors: **Miguel José Avalos Sartorio**, Zapata (MX); **Carlos José Avalos Sartorio**, Zapata (MX)
- (\*\*) Term: **14 Years**
- (21) Appl. No.: **29/499,850**
- (22) Filed: **Aug. 19, 2014**
- (30) **Foreign Application Priority Data**  
Mar. 12, 2014 (MX) ..... MX/f/2014/000837
- (51) **LOC (10) Cl.** ..... **30-03**
- (52) **U.S. Cl.**  
USPC ..... **D30/130**
- (58) **Field of Classification Search**  
USPC ..... D30/121, 129-132; 119/51.5, 61.5, 119/51.54; D1/124; D7/553.8, 555, 556; D9/609, 643  
See application file for complete search history.

(56) **References Cited**

**U.S. PATENT DOCUMENTS**

159,928	A *	2/1875	Hotchkiss	.....	446/290
1,212,332	A *	1/1917	Ensign et al.	.....	446/289
1,265,926	A *	5/1918	Ludlam	.....	426/104
D159,744	S *	8/1950	Low	.....	D21/455
2,833,244	A *	5/1958	Bohlman	.....	119/708
D235,787	S *	7/1975	Gorman	.....	D21/656
D250,646	S *	12/1978	Hashimoto et al.	.....	D14/200
4,277,909	A *	7/1981	Rainwater	.....	446/289
D278,646	S *	4/1985	McCoy	.....	D21/656
4,517,922	A *	5/1985	Lind	.....	119/708
4,581,761	A *	4/1986	Ichinokawa et al.	.....	382/313
D287,985	S *	1/1987	Lin	.....	D21/590
D289,189	S *	4/1987	Kilgore	.....	D21/656
D291,203	S *	8/1987	Silver	.....	D14/454

D301,905	S *	6/1989	Havelock	.....	D21/656
4,941,857	A *	7/1990	Fujimaki	.....	446/353
D314,593	S *	2/1991	Crist et al.	.....	D21/656
5,221,226	A *	6/1993	Park	.....	446/353
D343,392	S *	1/1994	Harden et al.	.....	D14/403
D358,180	S *	5/1995	Gonzales	.....	D21/656
D371,364	S *	7/1996	Starck	.....	D14/195
D372,791	S *	8/1996	Berendsen et al.	.....	D1/107
D373,662	S *	9/1996	Box	.....	D30/160
5,680,157	A *	10/1997	Bidiville et al.	.....	345/165
5,851,623	A *	12/1998	Tarulli et al.	.....	428/68
5,881,679	A *	3/1999	Hann	.....	119/708
5,895,305	A *	4/1999	Cowley et al.	.....	446/72
6,005,553	A *	12/1999	Goldstein et al.	.....	345/163
D420,409	S *	2/2000	Koenig	.....	D21/698
D420,992	S *	2/2000	Hu	.....	D14/454
6,039,628	A *	3/2000	Kusmiss et al.	.....	446/457
D423,489	S *	4/2000	Pesco	.....	D14/403
D424,044	S *	5/2000	Wong et al.	.....	D14/403
6,124,846	A *	9/2000	Goldstein et al.	.....	345/163
D437,899	S *	2/2001	Ritchey	.....	D21/656
D438,212	S *	2/2001	Whitenack	.....	D14/432
D438,865	S *	3/2001	Smith	.....	D14/432
6,256,015	B1 *	7/2001	Adler	.....	345/163
6,371,053	B1 *	4/2002	Tsengas	.....	119/707

(Continued)

*Primary Examiner* — Susan Moon Lee

(74) *Attorney, Agent, or Firm* — Westerman, Hattori, Daniels & Adrian, LLP

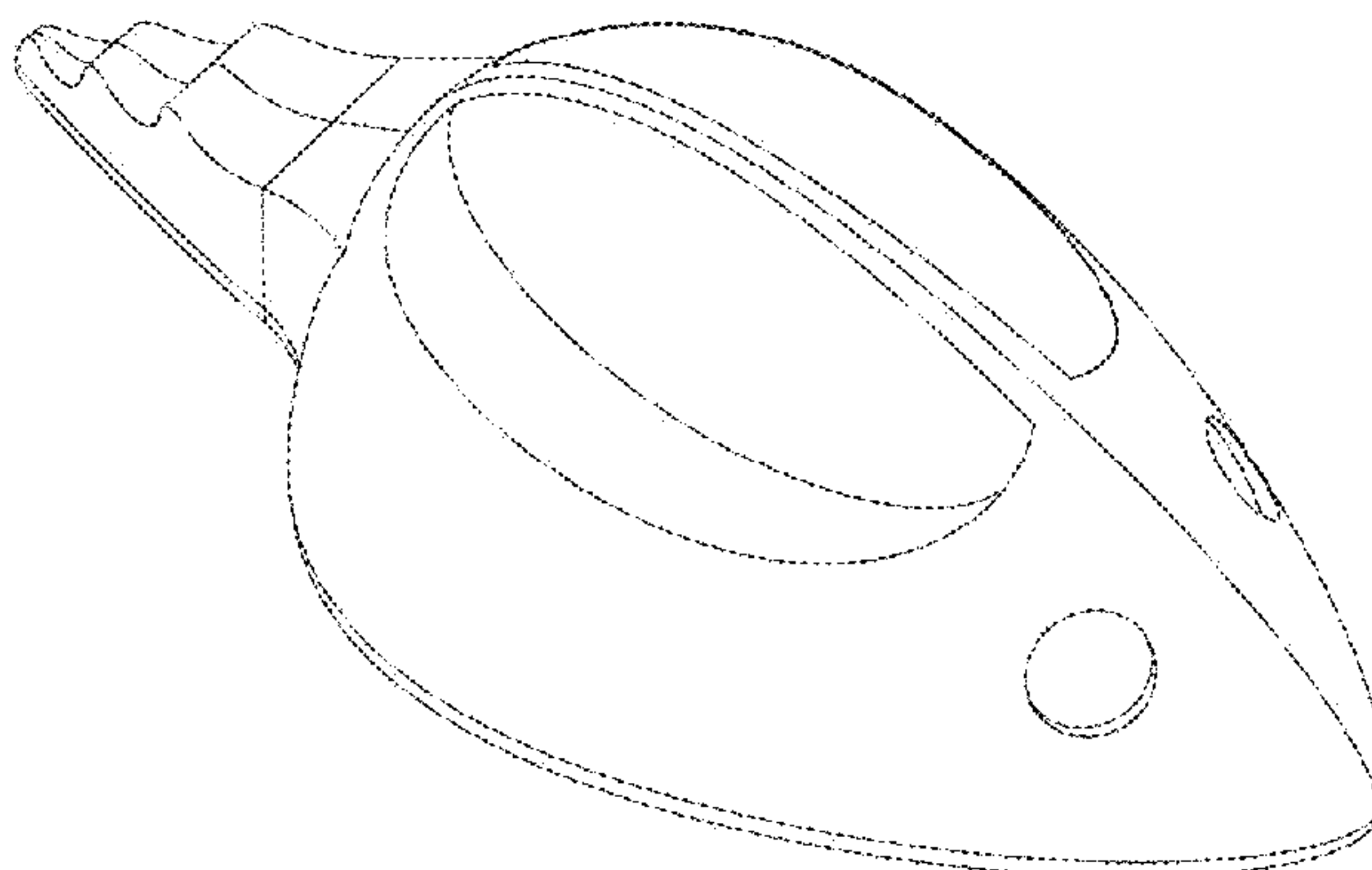
(57) **CLAIM**

The ornamental design for a food plate for pets, as shown and described.

**DESCRIPTION**

FIG. 1 is a perspective view of the food plate for pets showing our new design;  
FIG. 2 is a front elevational view thereof;  
FIG. 3 is a rear elevational view thereof;  
FIG. 4 is a right side elevational view thereof;  
FIG. 5 is a left side elevational view thereof;  
FIG. 6 is a top plan view thereof; and,  
FIG. 7 is a bottom plan view thereof.

**1 Claim, 7 Drawing Sheets**



(56)

References Cited

U.S. PATENT DOCUMENTS

6,433,779 B1 \* 8/2002 Woolman ..... 345/163  
 RE37,878 E \* 10/2002 Bidiville et al. .... 345/165  
 6,550,426 B2 \* 4/2003 Tsengas ..... 119/707  
 D474,471 S \* 5/2003 Hervig et al. .... D14/403  
 D475,715 S \* 6/2003 Shah ..... D14/454  
 6,571,742 B1 \* 6/2003 Tsengas ..... 119/707  
 D483,396 S \* 12/2003 Shah ..... D18/7  
 D483,737 S \* 12/2003 Shah ..... D14/189  
 D483,768 S \* 12/2003 Shah ..... D14/454  
 D490,078 S \* 5/2004 Mak ..... D14/403  
 6,798,398 B2 \* 9/2004 Smith et al. .... 345/163  
 D509,506 S \* 9/2005 Huang et al. .... D14/403  
 D511,517 S \* 11/2005 Nogosek ..... D14/403  
 D512,470 S \* 12/2005 Sikio ..... D21/656  
 D513,257 S \* 12/2005 Nogosek ..... D14/403  
 D522,248 S \* 6/2006 Huller ..... D4/125  
 D533,318 S \* 12/2006 Renforth ..... D30/160  
 D535,066 S \* 1/2007 Renforth ..... D30/160  
 D535,791 S \* 1/2007 Renforth ..... D30/160  
 D536,140 S \* 1/2007 Renforth ..... D30/160  
 D544,929 S \* 6/2007 Crane et al. .... D21/656  
 D547,013 S \* 7/2007 Tsengas ..... D30/160

D555,300 S \* 11/2007 Tsengas ..... D30/160  
 D558,204 S \* 12/2007 Kim et al. .... D14/403  
 D568,554 S \* 5/2008 Lamstein ..... D30/160  
 D569,052 S \* 5/2008 Lamstein ..... D30/160  
 D590,830 S \* 4/2009 Eisen ..... D14/402  
 D595,717 S \* 7/2009 Mote ..... D14/402  
 7,737,941 B2 \* 6/2010 Pearcey ..... 345/156  
 D619,578 S \* 7/2010 Zhao et al. .... D14/403  
 D624,134 S \* 9/2010 Hornsby et al. .... D21/656  
 D624,251 S \* 9/2010 Rutherford ..... D30/160  
 D637,243 S \* 5/2011 Hornsby ..... D21/656  
 D644,792 S \* 9/2011 Lee ..... D30/160  
 D644,794 S \* 9/2011 Kelly ..... D30/160  
 8,066,544 B2 \* 11/2011 Hedeem, Jr. .... 446/437  
 8,196,551 B1 \* 6/2012 Tsengas ..... 119/707  
 D678,631 S \* 3/2013 Paculdo ..... D30/160  
 D692,002 S \* 10/2013 Wu ..... D14/403  
 D698,094 S \* 1/2014 Paculdo et al. .... D30/121  
 2001/0027754 A1 \* 10/2001 Tsengas ..... 119/707  
 2002/0190952 A1 \* 12/2002 Shah ..... 345/163  
 2004/0237905 A1 \* 12/2004 Tsengas ..... 119/711  
 2005/0241595 A1 \* 11/2005 Moulton, III ..... 119/711  
 2007/0188452 A1 \* 8/2007 Chen et al. .... 345/163  
 2010/0064982 A1 \* 3/2010 White ..... 119/707

\* cited by examiner

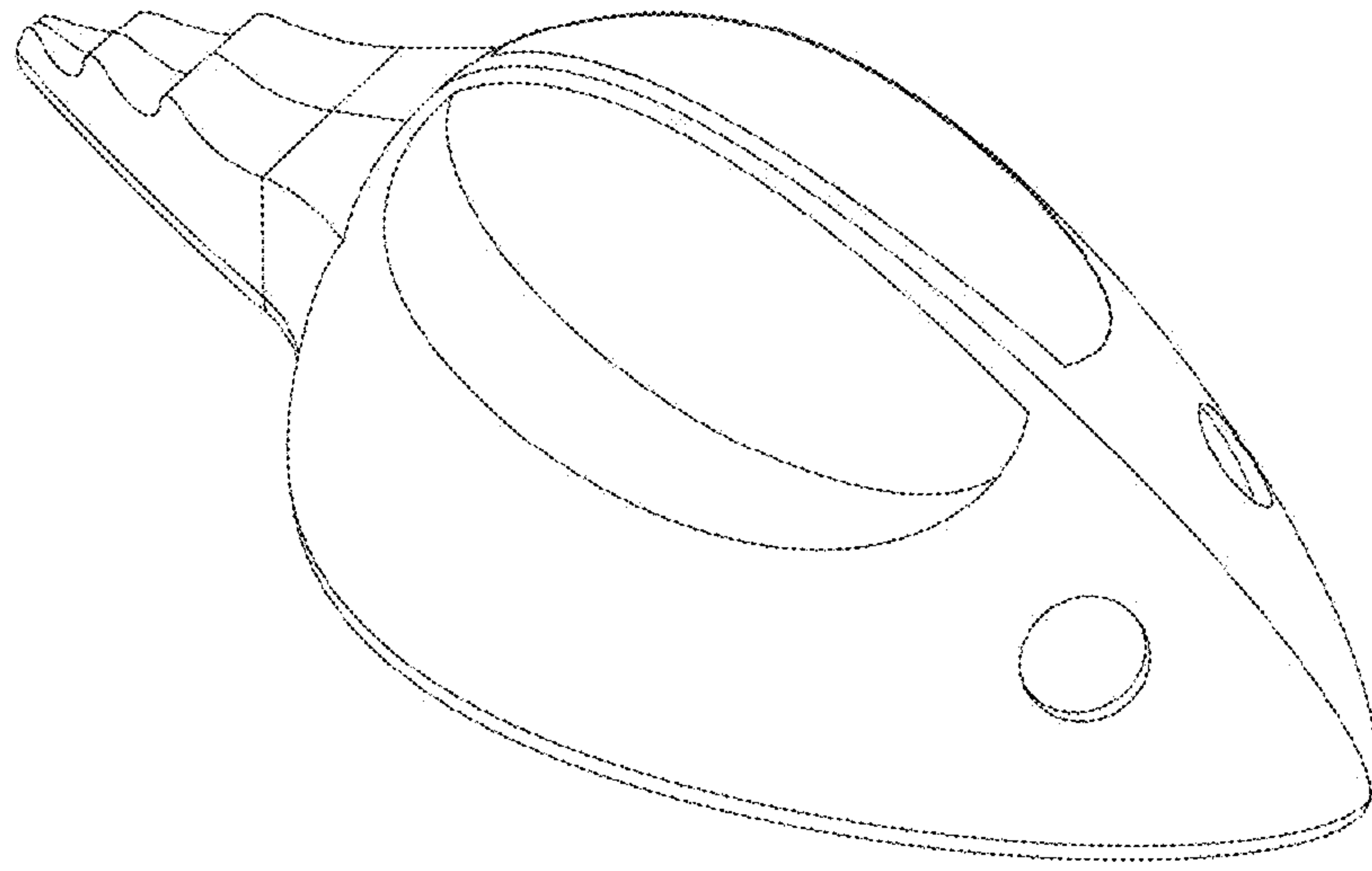


FIG. 1

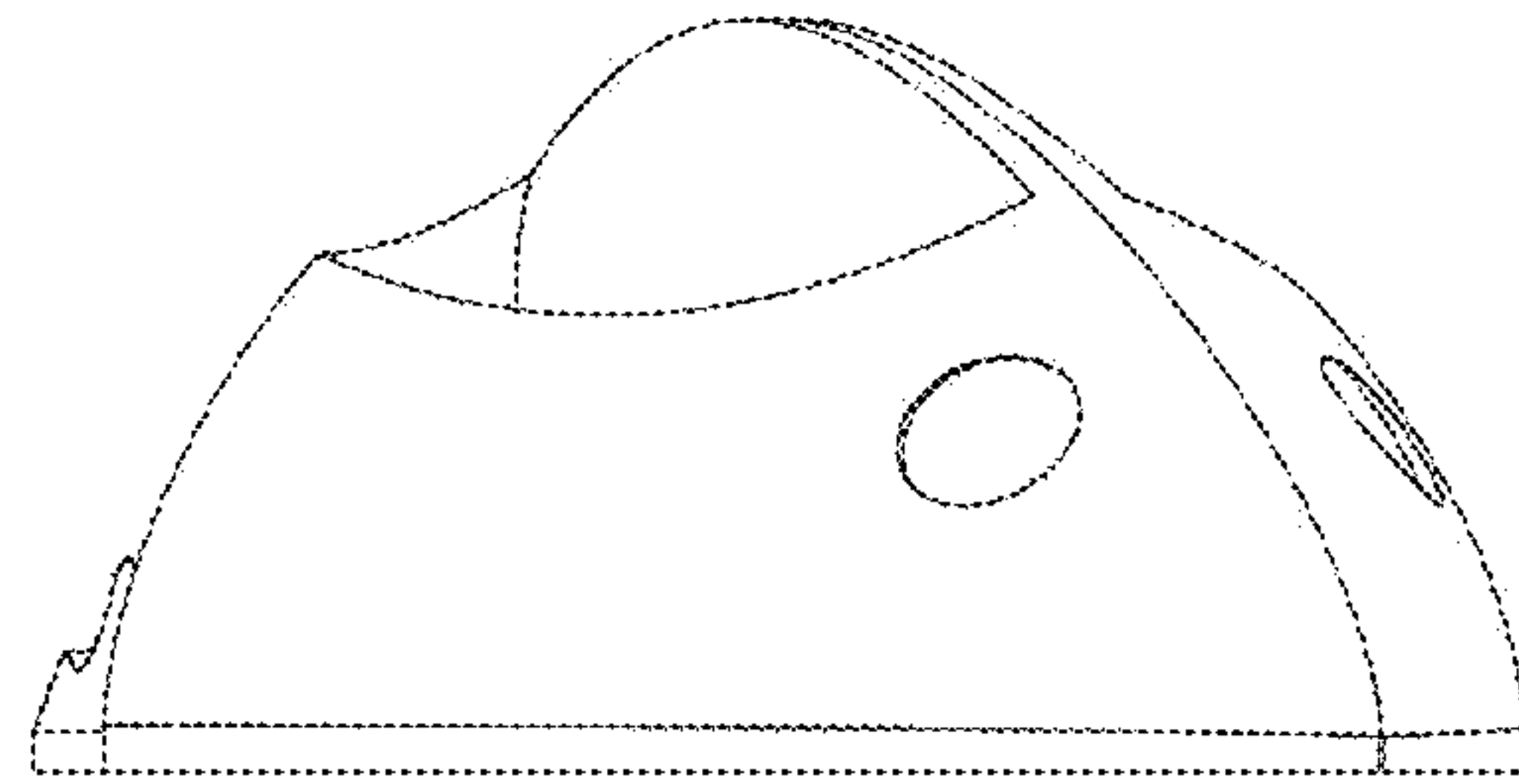


FIG. 2

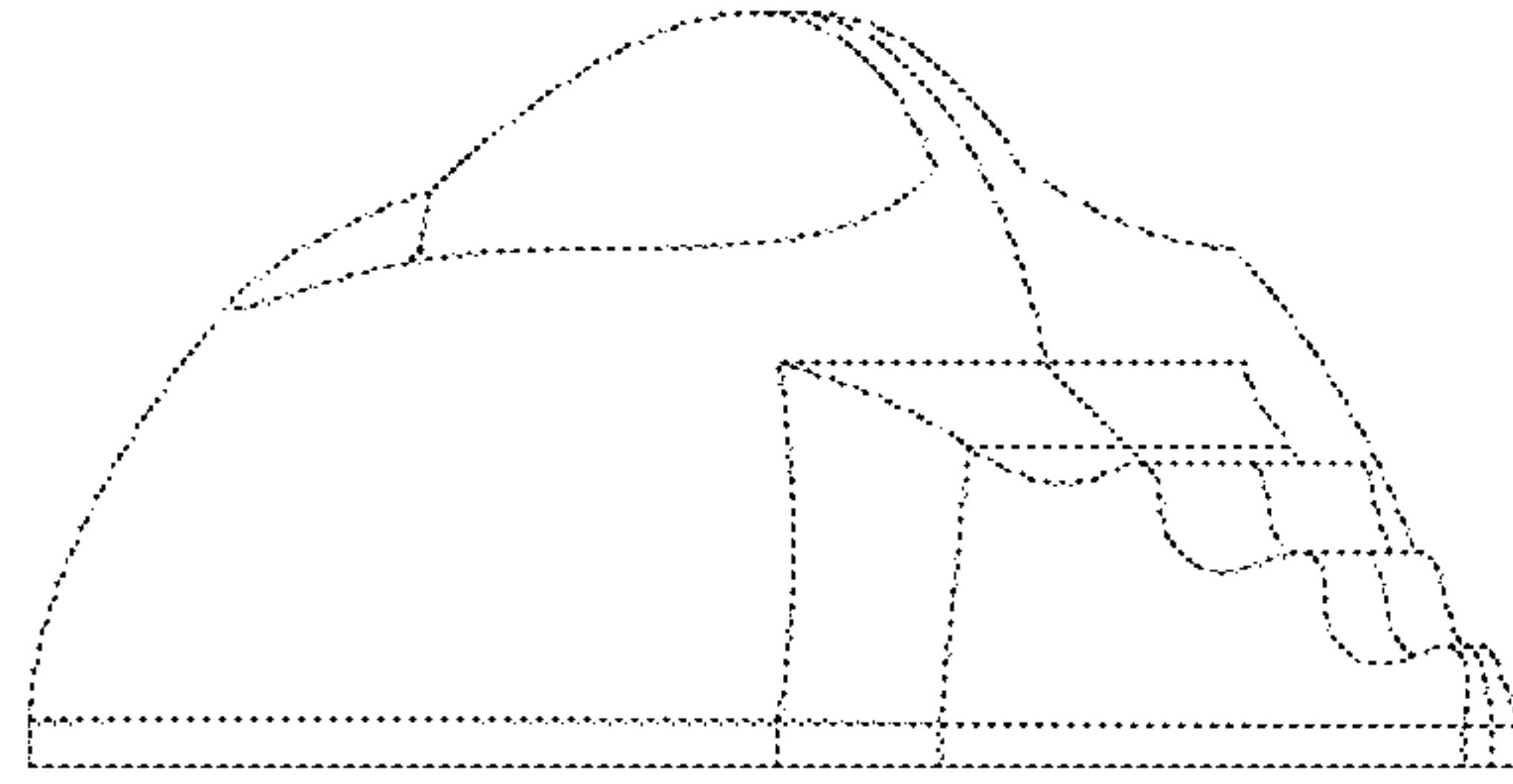


FIG. 3

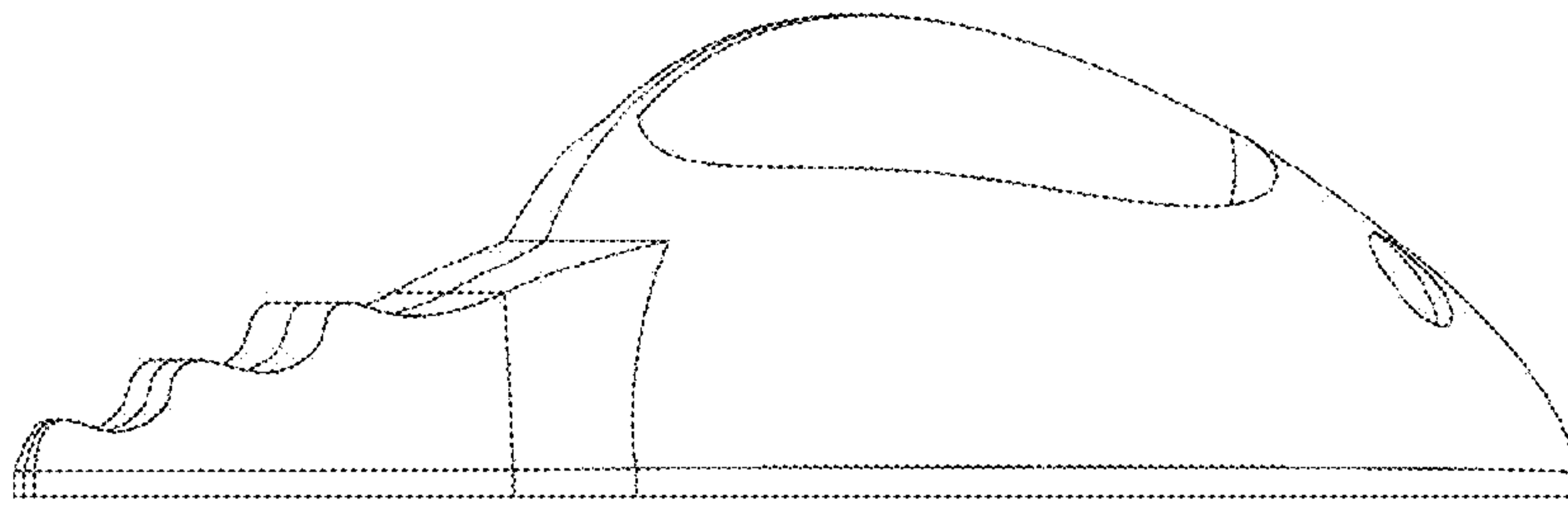


FIG. 4

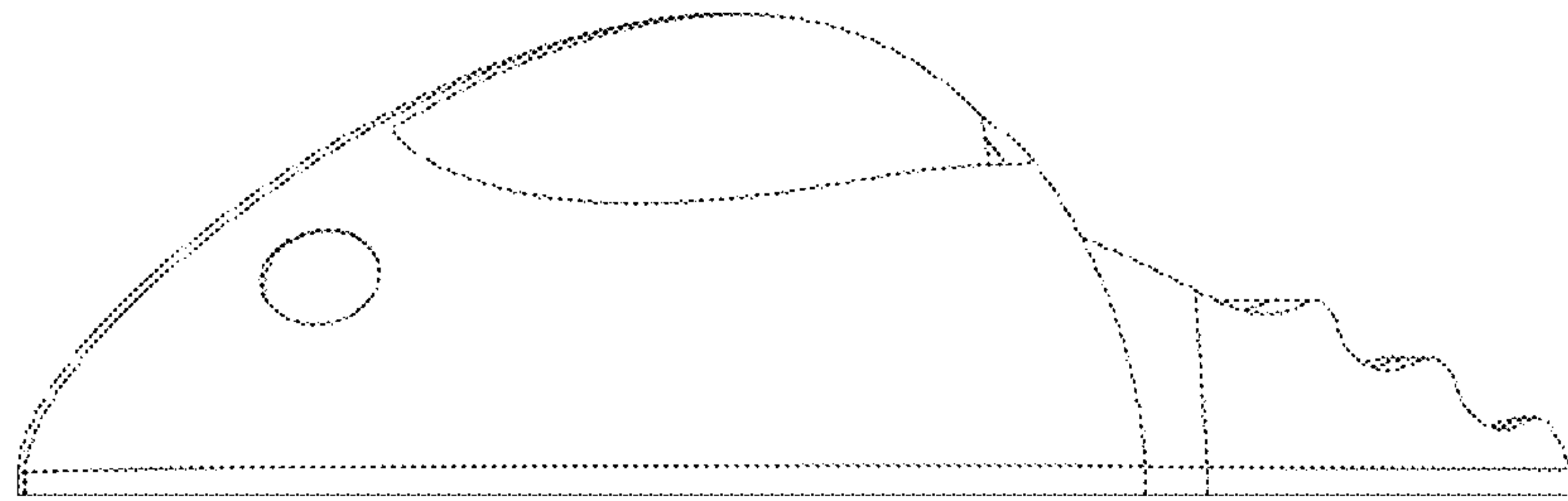


FIG. 5



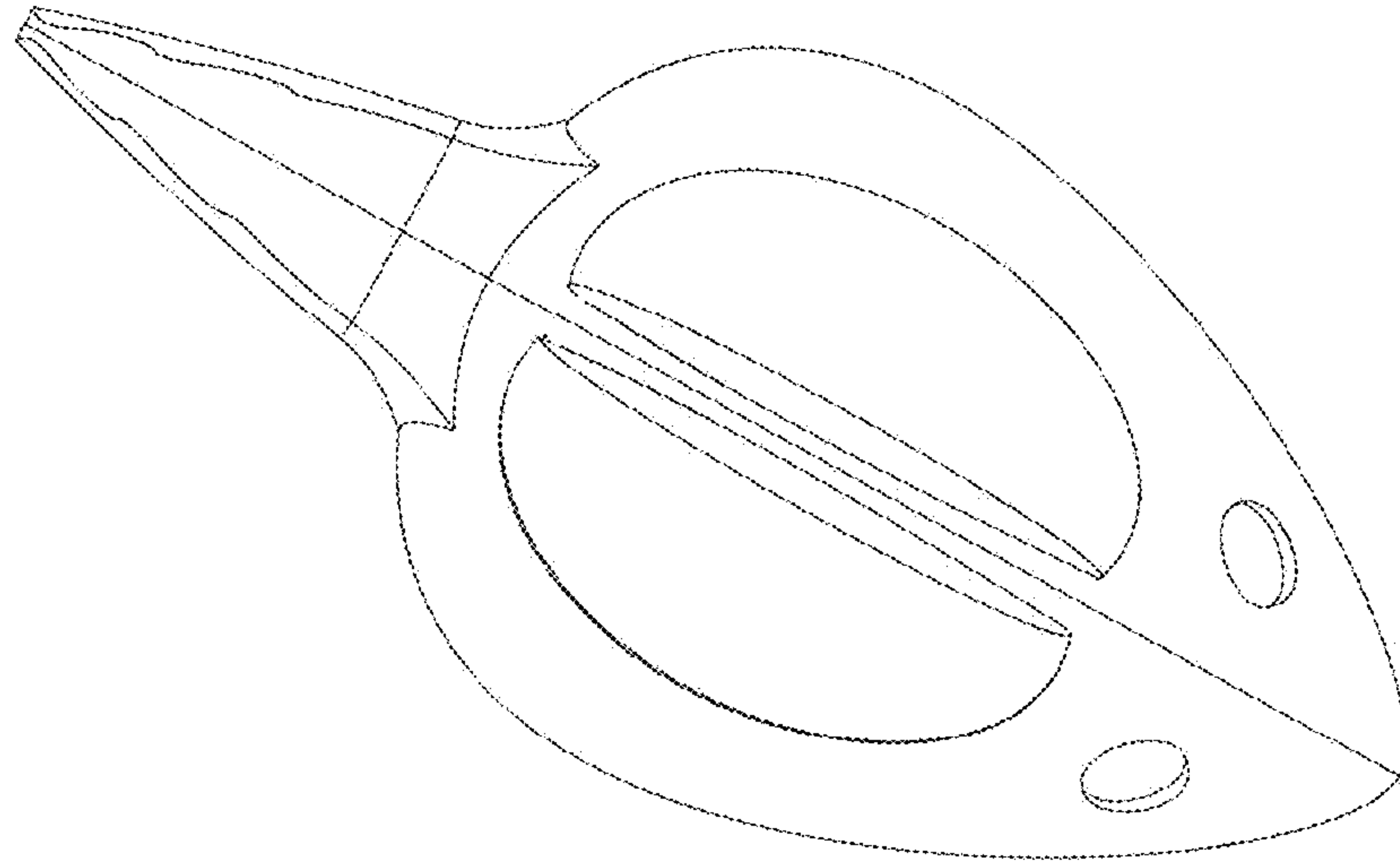


FIG. 6



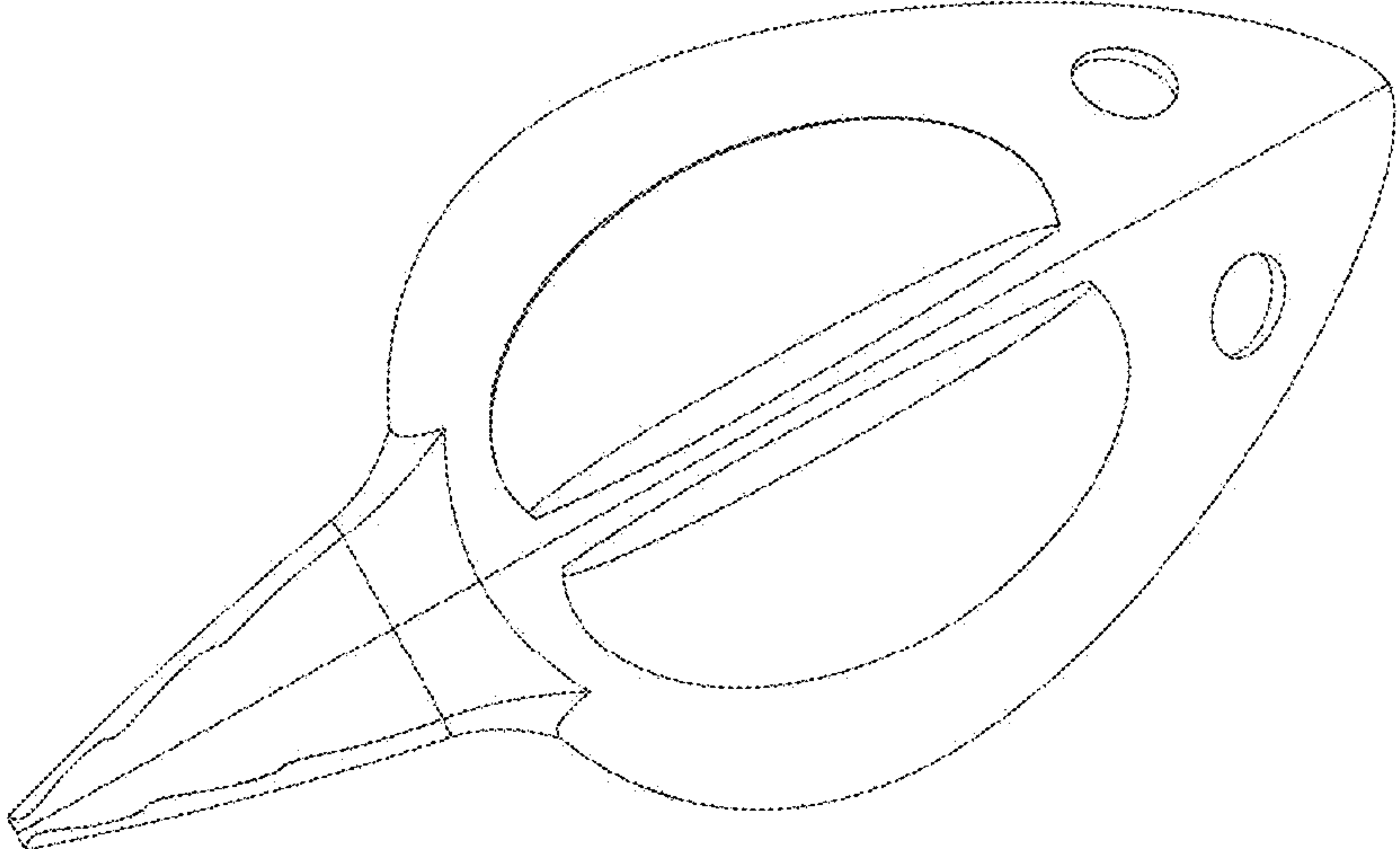


FIG. 7