



US00D724276S

(12) **United States Design Patent**
Zelinger

(10) **Patent No.:** **US D724,276 S**
(45) **Date of Patent:** **** Mar. 10, 2015**

(54) **FEEDING BOWL**

(71) Applicant: **Ethical Products, Inc.**, Bloomfield, NJ (US)

(72) Inventor: **Jonathan Zelinger**, Monsey, NY (US)

(73) Assignee: **Ethical Products, Inc.**, Bloomfield, NJ (US)

(**) Term: **14 Years**

(21) Appl. No.: **29/484,198**

(22) Filed: **Mar. 6, 2014**

(51) **LOC (10) Cl.** **30-03**

(52) **U.S. Cl.**
USPC **D30/130**

(58) **Field of Classification Search**
USPC D30/121, 122, 129-133; 119/61.5, 119/51.01, 61.56, 51.03, 59, 62, 63, 51.5, 119/57.8, 74, 61.54, 61.55, 61; 312/204; 248/151, 188; 108/156, 153.1-157; 220/23.87, 630, 737, 743, 9.4, 495.01, 220/574, 212, 255, 23.83, 575; 206/515; D7/586, 543, 550.1, 587, 505, 584, D7/545, 500, 553.1-553.8, 546, 555, 556, D7/504, 565, 562, 602, 507, 549, 558, D7/552.2, 560, 566, 548, 681; D9/429; 43/109; D22/122; 99/430, DIG. 15

See application file for complete search history.

(56) **References Cited**

U.S. PATENT DOCUMENTS

D103,562 S *	3/1937	Cook	D9/455
D159,350 S *	7/1950	La Tour	D7/555
3,180,316 A *	4/1965	Chatfield et al.	119/51.12
D230,033 S *	1/1974	Goldman et al.	D30/130
4,800,845 A *	1/1989	Budd	119/61.5
4,827,874 A *	5/1989	Mahan	119/61.53
D312,896 S *	12/1990	Goetz	D30/130
D313,488 S *	1/1991	Conner	D30/130
D313,489 S *	1/1991	Conner	D30/130

D331,538 S *	12/1992	Fabre	D9/455
D346,465 S *	4/1994	Russell et al.	D30/130
D353,232 S *	12/1994	Chrisco	D30/130
D362,090 S *	9/1995	Baldwin et al.	D30/130
5,485,806 A *	1/1996	Watanabe	119/51.5
D371,220 S *	6/1996	Behrens	D28/38
5,526,773 A *	6/1996	Richardson	119/51.5
D406,925 S *	3/1999	Sharon	D30/129
D410,780 S *	6/1999	McGinty	D30/124
D414,303 S *	9/1999	Sharon	D30/130
D486,273 S *	2/2004	Tsengas	D30/130
D486,274 S *	2/2004	Tsengas	D30/130
6,860,229 B1 *	3/2005	Craft	119/61.5
D511,593 S *	11/2005	Ebesu	D30/130
D558,931 S *	1/2008	Hood et al.	D30/130
D561,408 S *	2/2008	Marsh	D30/130
D653,914 S *	2/2012	Lutz	D7/624.1
D667,175 S *	9/2012	McMurphy	D30/133
D681,285 S *	4/2013	Namvong et al.	D30/130
D701,006 S *	3/2014	Gilkey et al.	D30/133
2008/0011235 A1 *	1/2008	Bahnean et al.	119/61.5
2008/0105205 A1 *	5/2008	Goehring	119/51.02
2010/0107984 A1 *	5/2010	Uffner et al.	119/61.5

* cited by examiner

Primary Examiner — Susan Moon Lee

(74) *Attorney, Agent, or Firm* — Myers Wolin, LLC

(57) **CLAIM**

The ornamental design for a feeding bowl, as shown and described.

DESCRIPTION

FIG. 1 is a top perspective view of a feeding bowl showing our new design;

FIG. 2 is a bottom perspective view thereof;

FIG. 3 is a top plan view thereof;

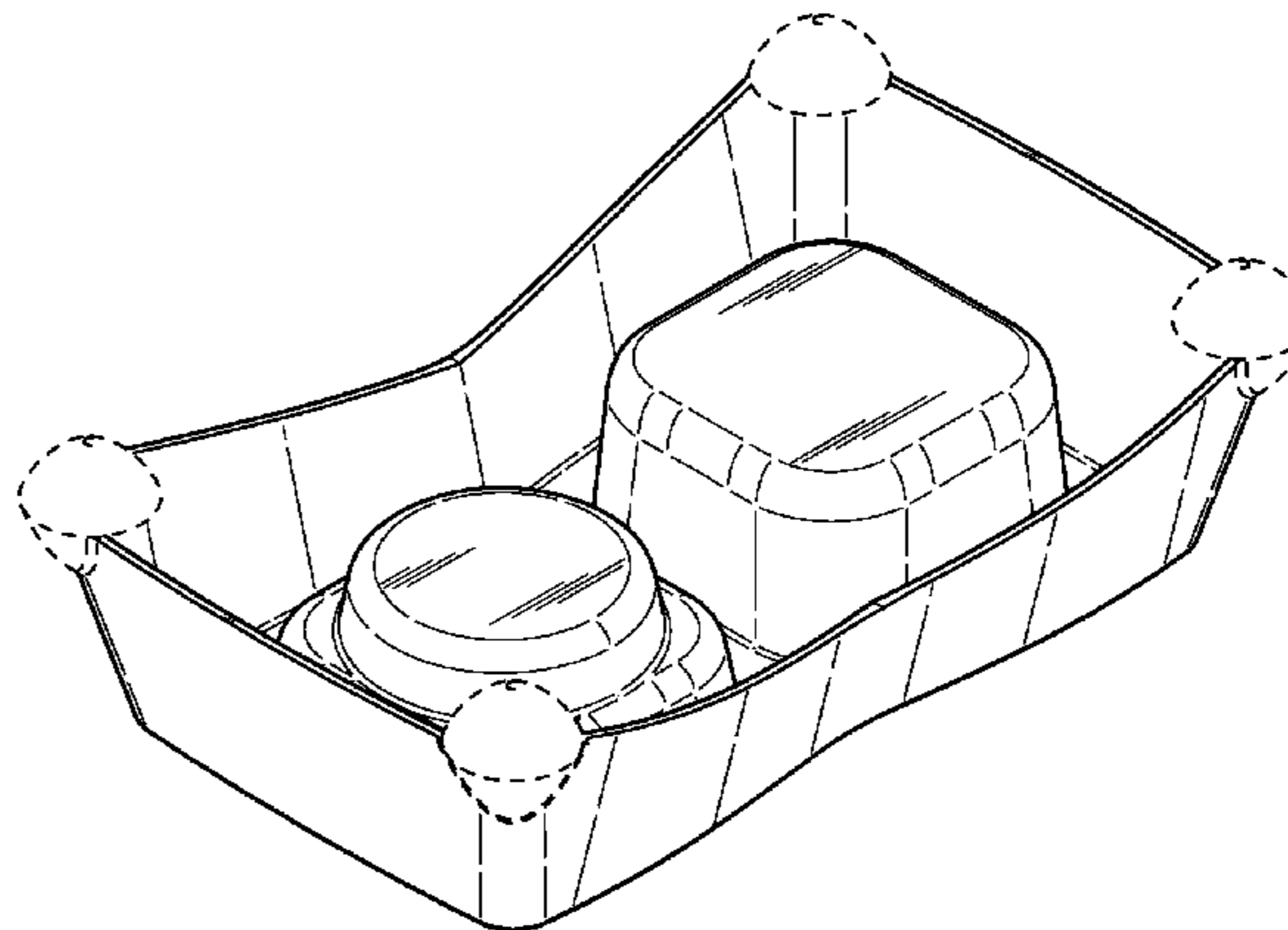
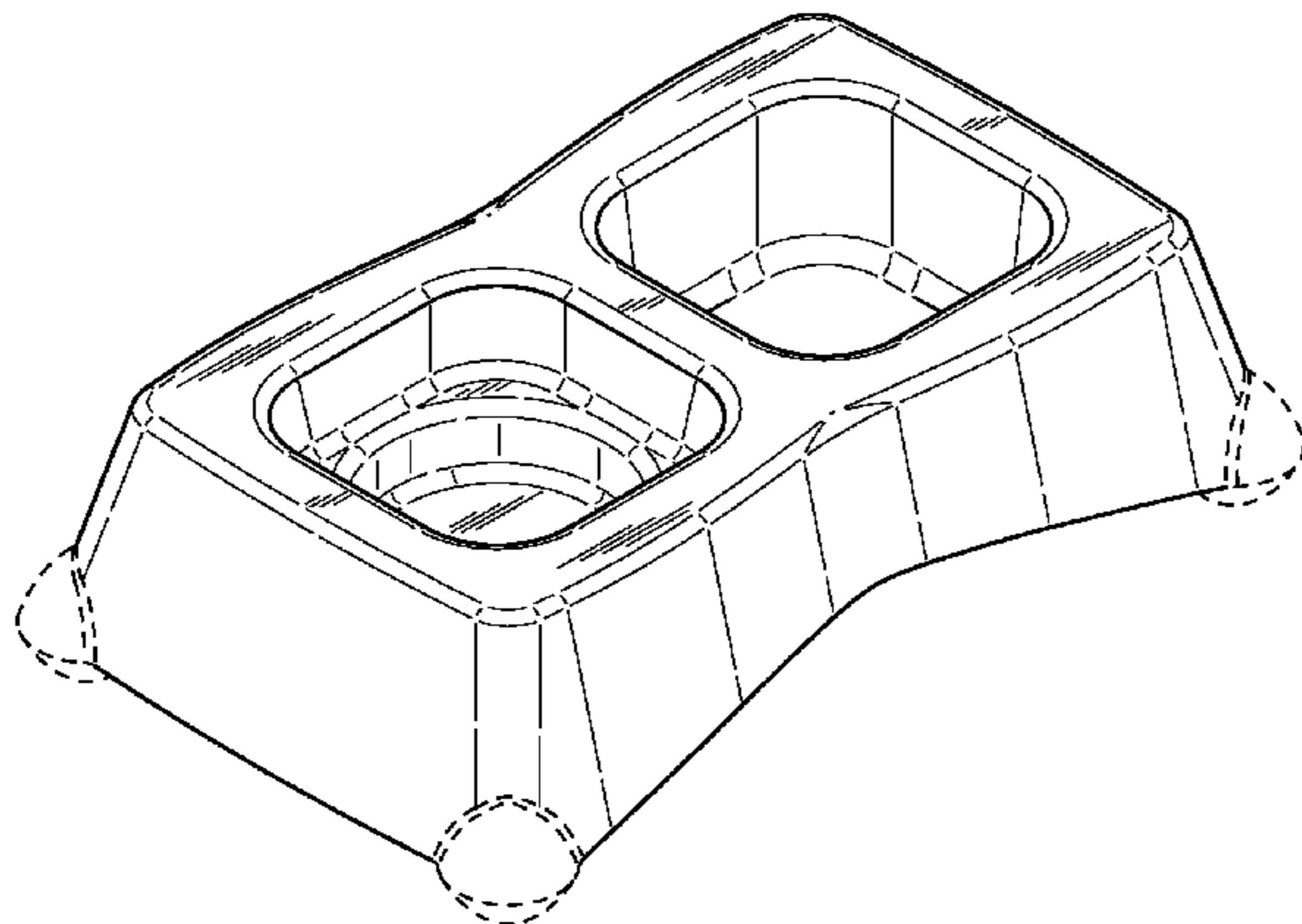
FIG. 4 is a front side view thereof, the rear side being a mirror image thereof;

FIG. 5 is a bottom plan view thereof; and,

FIG. 6 is a right side view thereof, the left side being a mirror image thereof.

Broken lines and entirely unshaded portions contained within broken line are not claimed.

1 Claim, 3 Drawing Sheets



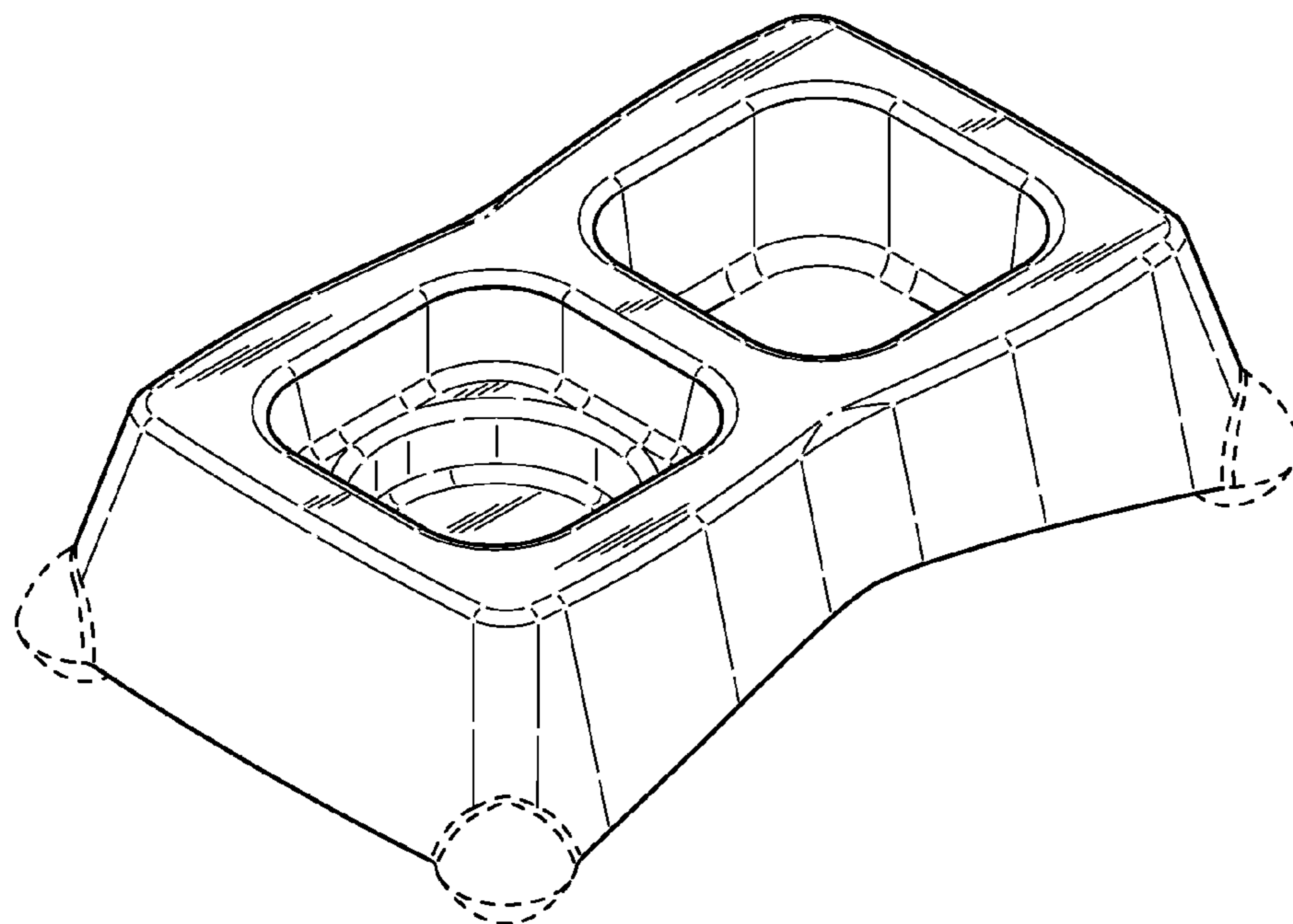


FIG. 1

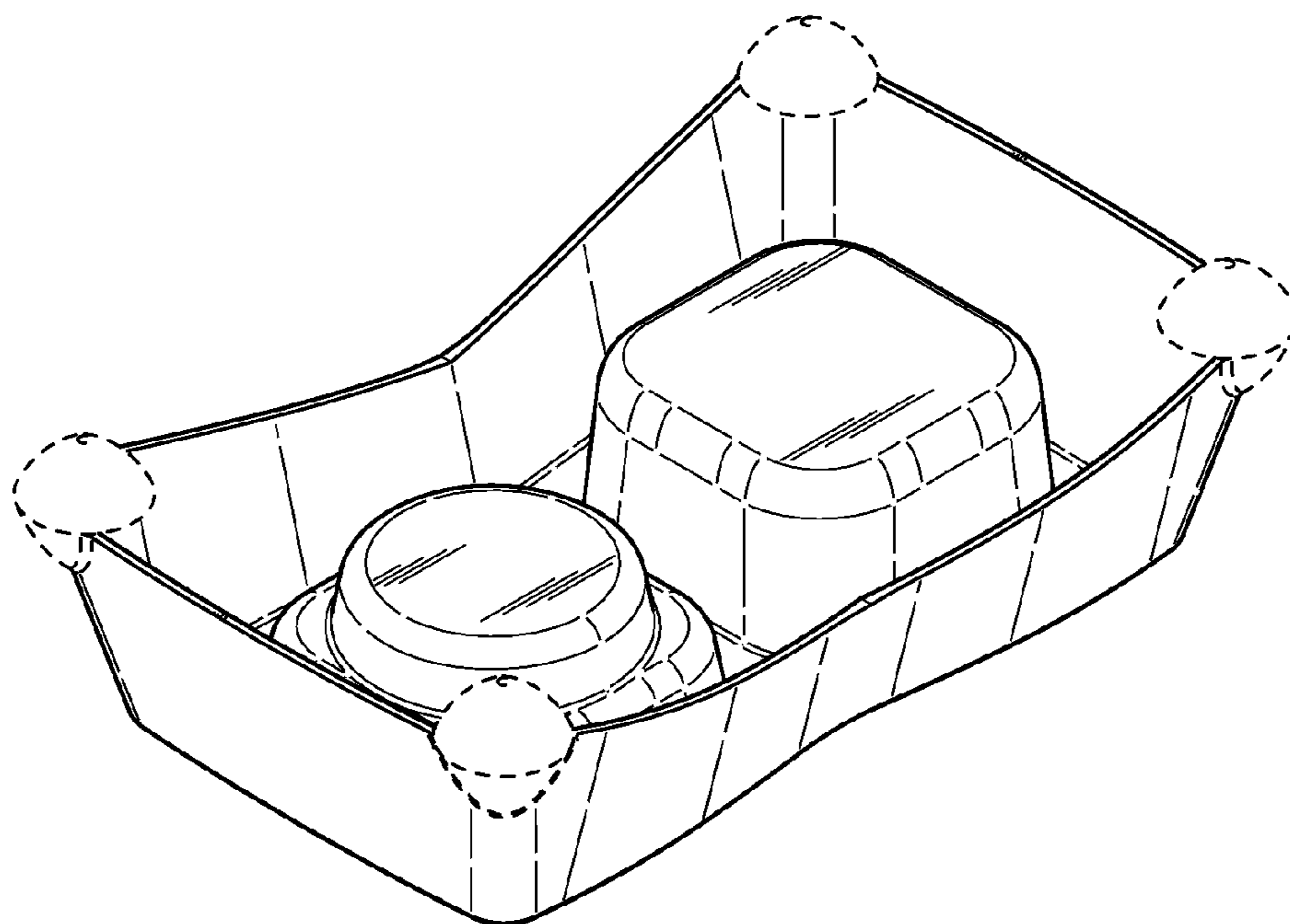


FIG. 2

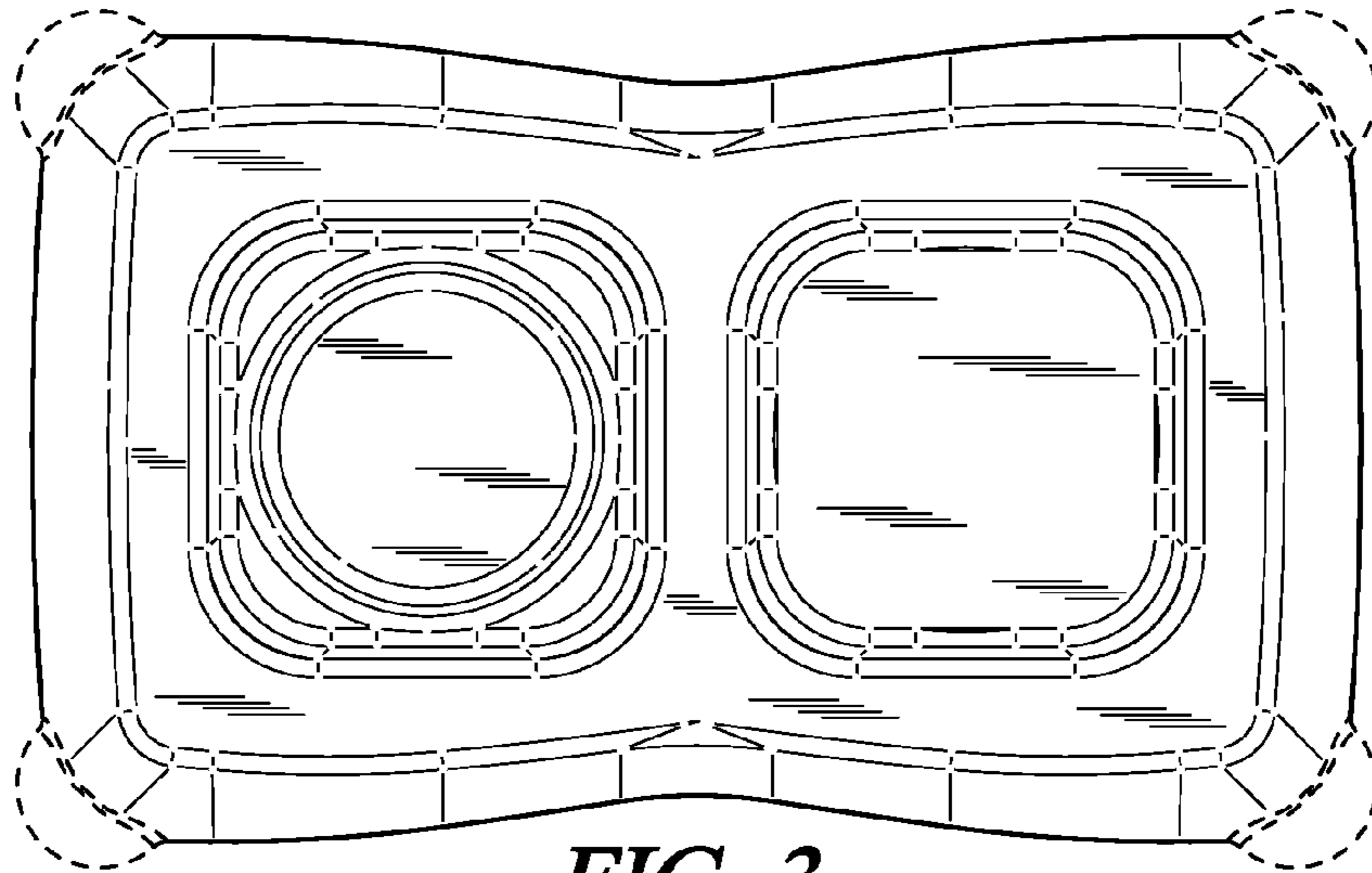


FIG. 3

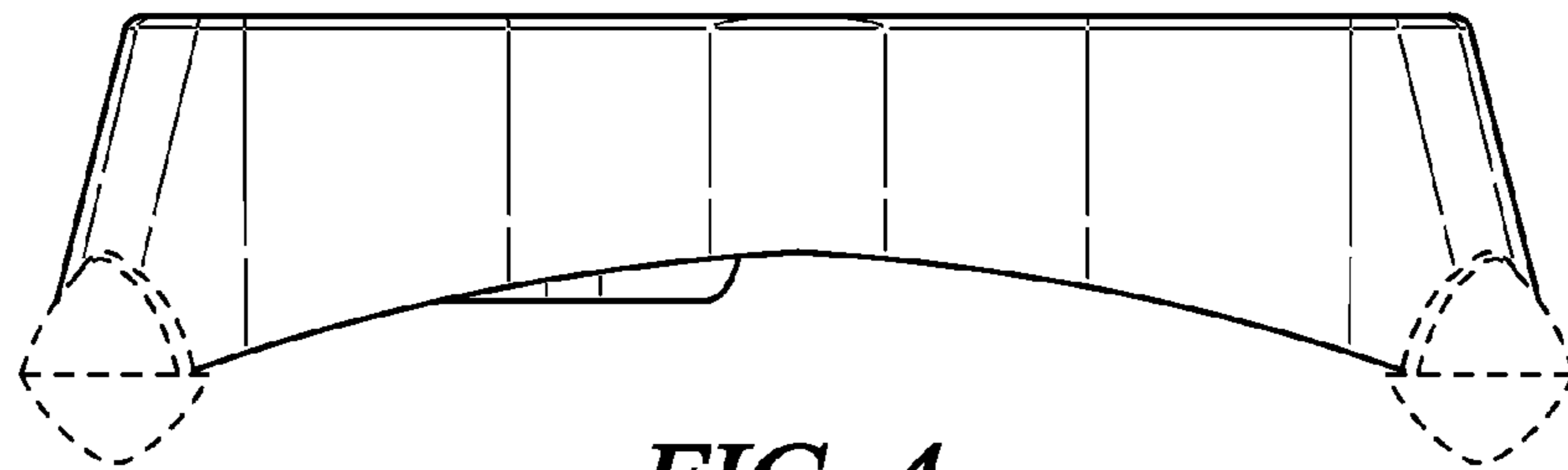


FIG. 4

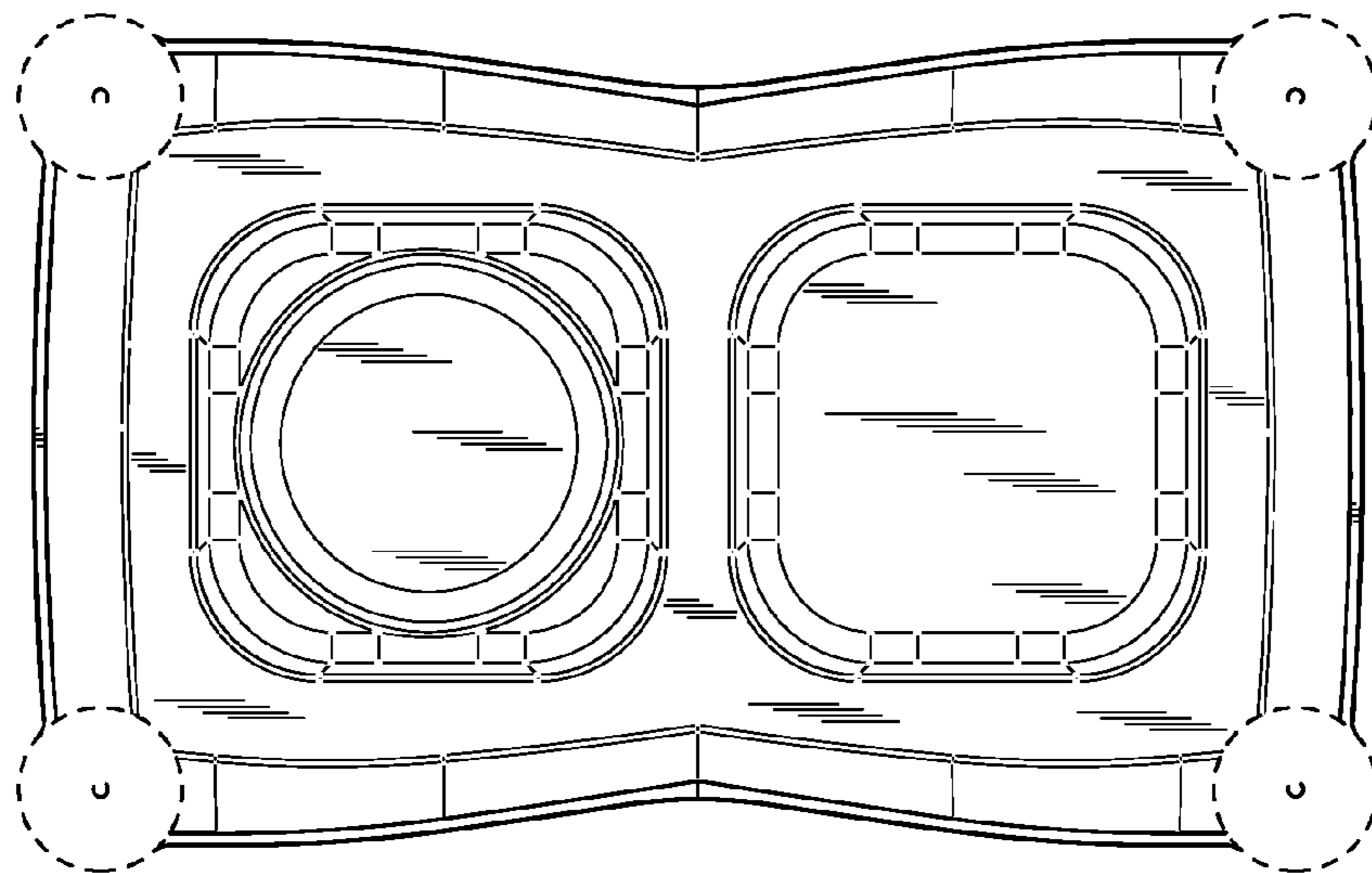


FIG. 5



FIG. 6