



US00D724275S

(12) **United States Design Patent**
Avalos Sartorio et al.

(10) **Patent No.:** **US D724,275 S**
(45) **Date of Patent:** **** Mar. 10, 2015**

- (54) **FOOD PLATE FOR PETS**
- (71) Applicants: **Miguel José Avalos Sartorio**, Zapata (MX); **Carlos José Avalos Sartorio**, Zapata (MX)
- (72) Inventors: **Miguel José Avalos Sartorio**, Zapata (MX); **Carlos José Avalos Sartorio**, Zapata (MX)
- (**) Term: **14 Years**
- (21) Appl. No.: **29/499,836**
- (22) Filed: **Aug. 19, 2014**
- (30) **Foreign Application Priority Data**
Mar. 12, 2014 (MX) MX/f/2014/000836
- (51) **LOC (10) Cl.** **30-03**
- (52) **U.S. Cl.**
USPC **D30/129**
- (58) **Field of Classification Search**
USPC D30/129, 130, 161, 121, 132; 119/61.5, 119/51.5, 61.54; D7/578, 543, 566, 587, D7/562, 588, 568, 553.8, 565; D9/429; D21/816
See application file for complete search history.

(56) **References Cited**

U.S. PATENT DOCUMENTS

D2,522 S *	12/1866	Ware	D9/606
782,895 A *	2/1905	Breeding	99/422
D63,314 S *	11/1923	Pease	D9/606
D88,946 S *	1/1933	Worthington	D7/556
D99,558 S *	5/1936	Strauss	D7/539
D131,404 S *	2/1942	Dreitzer	D7/556
D149,151 S *	3/1948	Southworth	D30/130
D174,686 S *	5/1955	Gangbin	D7/556
D175,167 S *	7/1955	Hubbard	D7/556
D200,414 S *	2/1965	Karp	D9/606
D203,753 S *	2/1966	Greenberg	D21/816
D209,157 S *	11/1967	Levin	D7/676

D220,103 S *	3/1971	Clowe	D23/278
D227,230 S *	6/1973	Stamper	D9/606
D260,281 S *	8/1981	Rist	D6/601
4,827,838 A *	5/1989	Bishop	99/426
D303,853 S *	10/1989	Keller	D30/129
4,941,401 A *	7/1990	Sarnoff et al.	99/446
D329,961 S *	10/1992	Sarnoff et al.	D7/539
D343,482 S *	1/1994	Keller et al.	D30/130
5,278,376 A *	1/1994	Cyr	219/734
D359,187 S *	6/1995	Rowan	D6/539
D360,497 S *	7/1995	Lewis et al.	D30/129
D361,874 S *	8/1995	Keller et al.	D30/129
D361,875 S *	8/1995	Keller et al.	D30/130
D374,515 S *	10/1996	Benson, II	D30/129
D390,907 S *	2/1998	Aker et al.	D21/816
D400,315 S *	10/1998	Keller et al.	D30/130
D418,209 S *	12/1999	Mauk	D23/261
6,065,595 A *	5/2000	Ratcliff	206/315.11
D439,153 S *	3/2001	Davis	D9/606
D455,145 S *	4/2002	Williams	D14/232
D471,103 S *	3/2003	Watson	D9/433
D475,230 S *	6/2003	Hood	D6/539
D480,597 S *	10/2003	Kunat et al.	D7/354
D490,911 S *	6/2004	Cox	D25/112
D506,556 S *	6/2005	Giusti	D25/112

(Continued)

Primary Examiner — Susan Moon Lee

(74) *Attorney, Agent, or Firm* — Westerman, Hattori, Daniels & Adrian, LLP

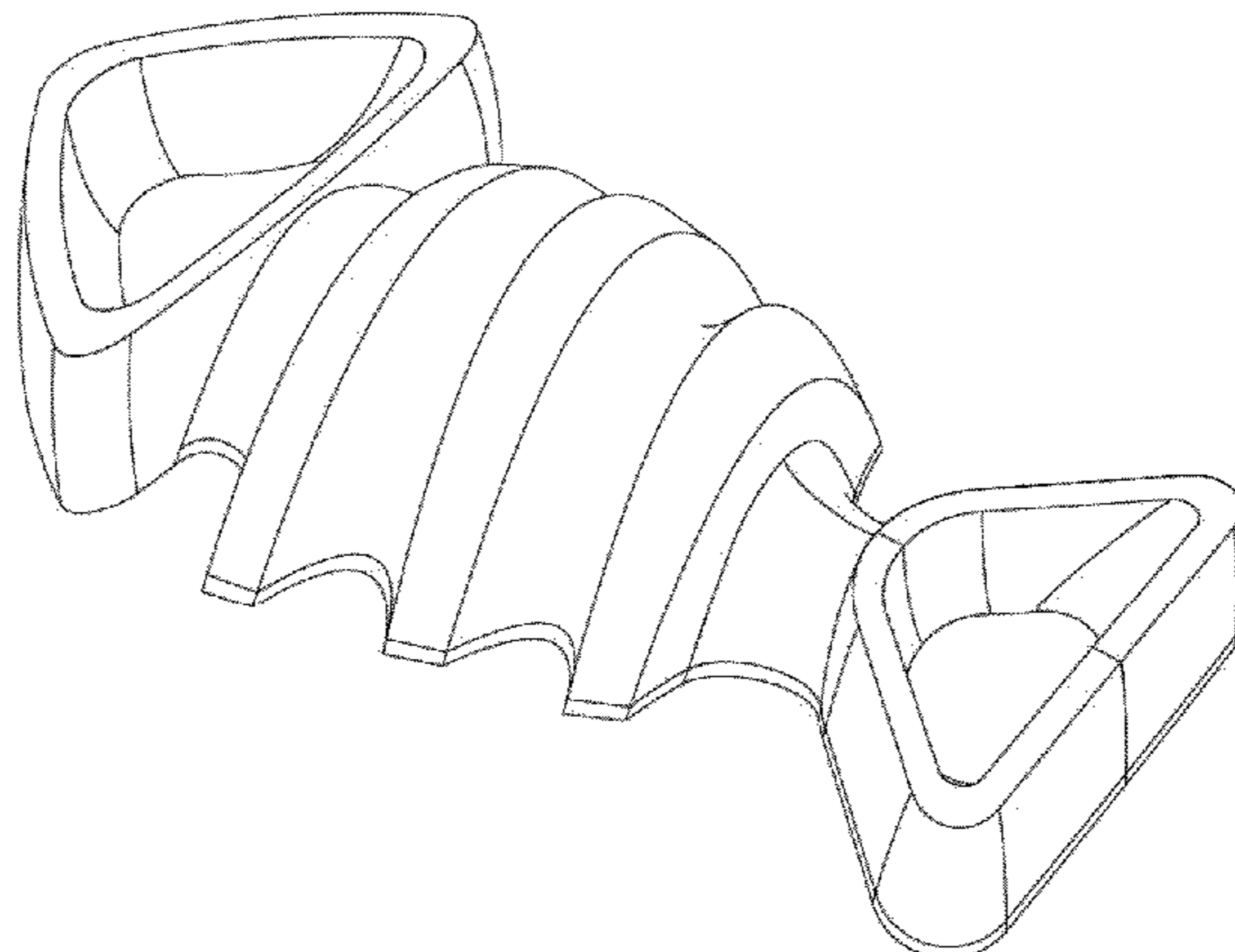
(57) **CLAIM**

The ornamental design for a food plate for pets, as shown and described.

DESCRIPTION

FIG. 1 is a perspective view of the food plate for pets showing our new design;
FIG. 2 is a front elevational view thereof;
FIG. 3 is a rear elevational view thereof;
FIG. 4 is a right side elevational view thereof;
FIG. 5 is a left side elevational view thereof;
FIG. 6 is a top plan view thereof; and,
FIG. 7 is a bottom plan view thereof.

1 Claim, 7 Drawing Sheets



(56)

References Cited

U.S. PATENT DOCUMENTS

D547,595 S * 7/2007 Bowen et al. D7/354
D606,802 S * 12/2009 Kirk D7/354
D621,528 S * 8/2010 Sefa D25/113
D623,360 S * 9/2010 Man et al. D30/129

D623,361 S * 9/2010 Man et al. D30/129
D656,280 S * 3/2012 St. Clair D30/129
D659,484 S * 5/2012 Schwartz et al. D7/628
D663,167 S * 7/2012 Gober D7/551.1
D671,278 S * 11/2012 Man D30/129

* cited by examiner

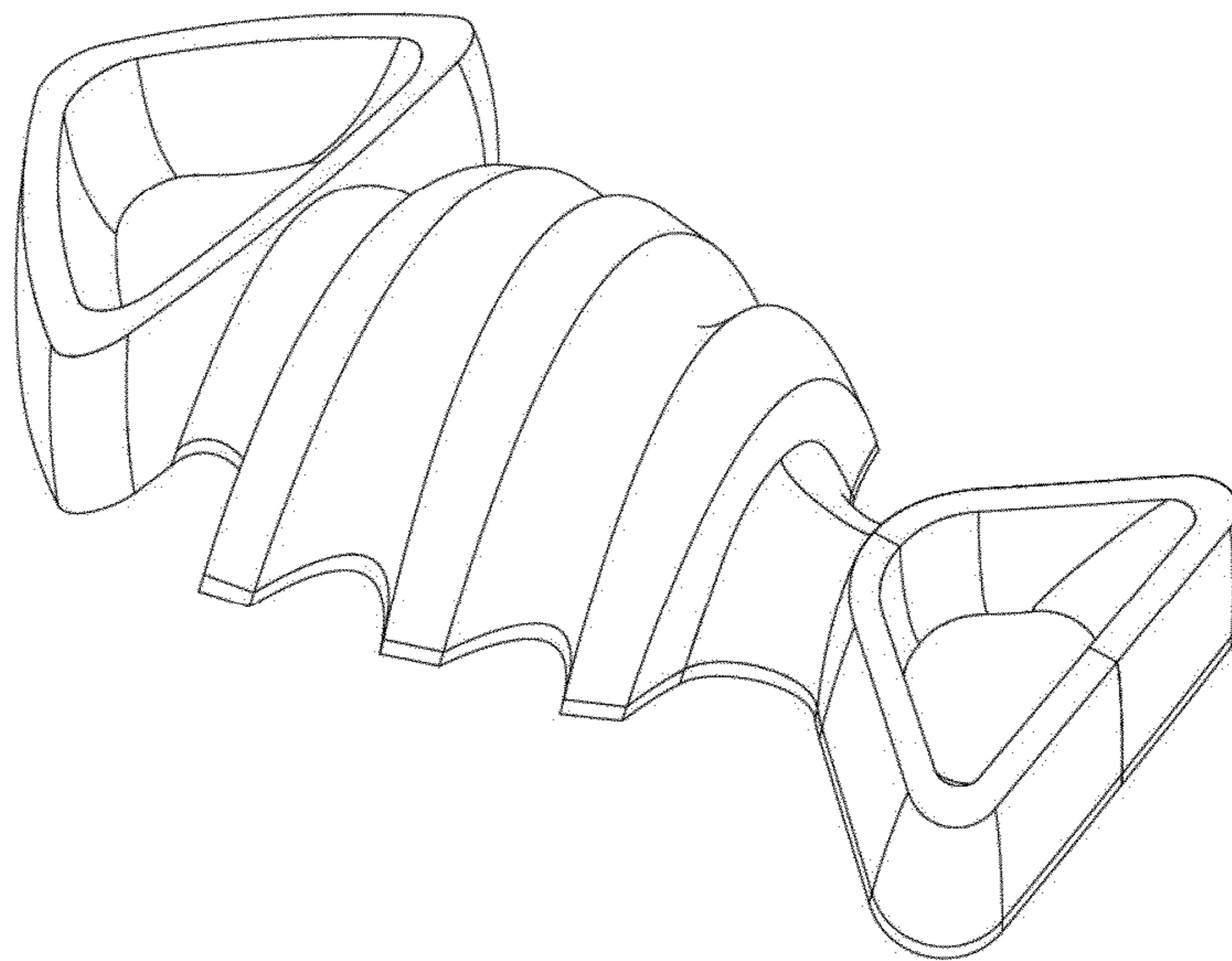


FIG. 1

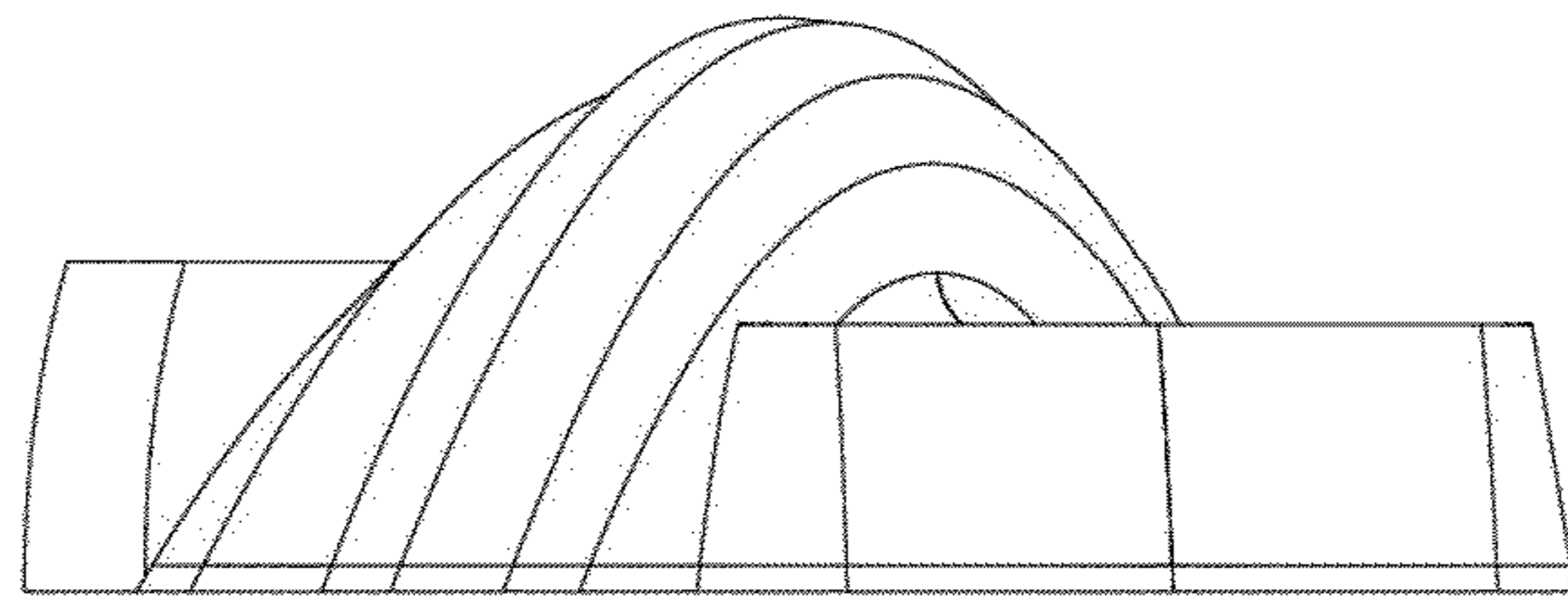


FIG. 2

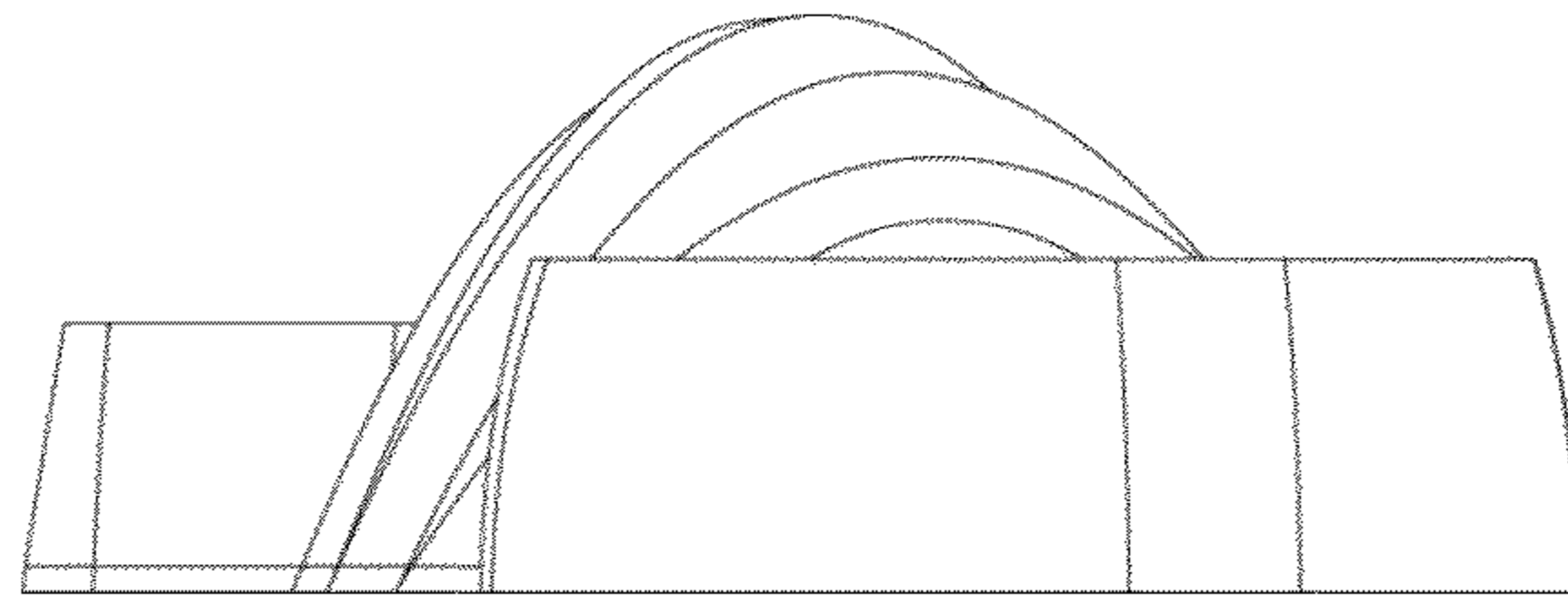


FIG. 3

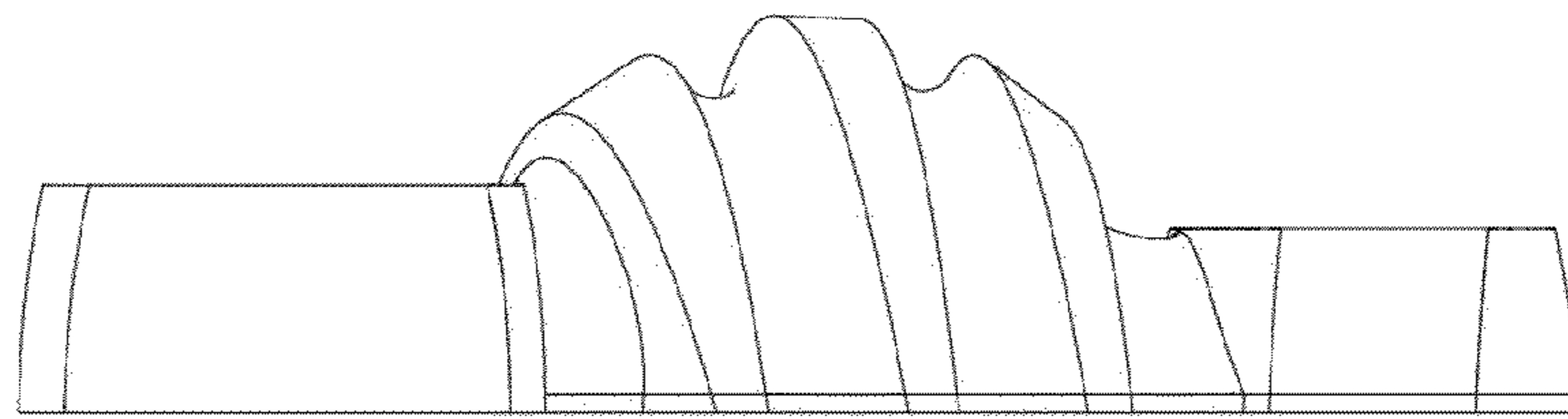


FIG. 4

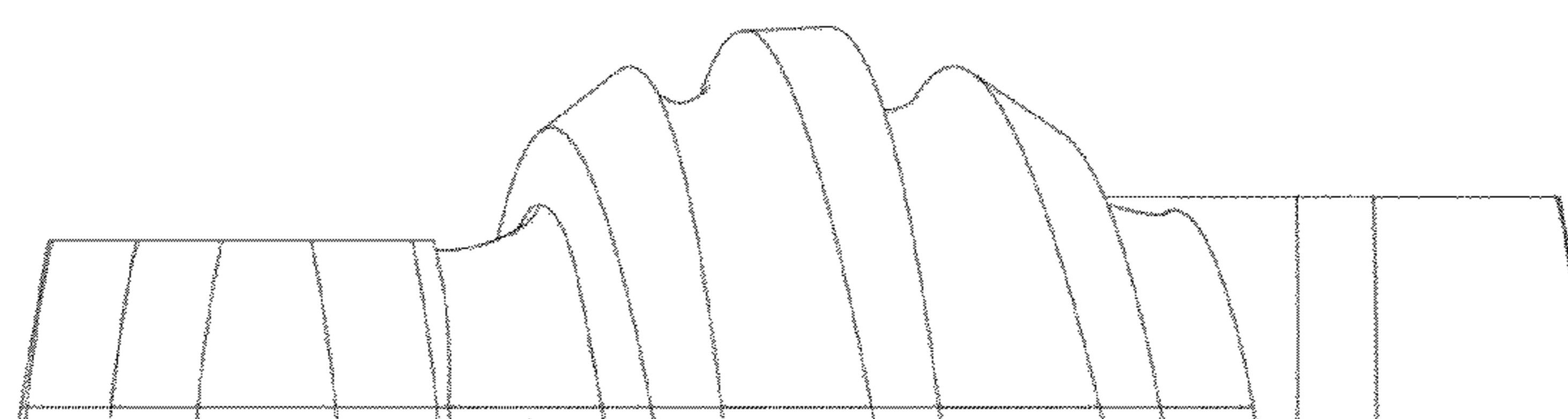


FIG. 5

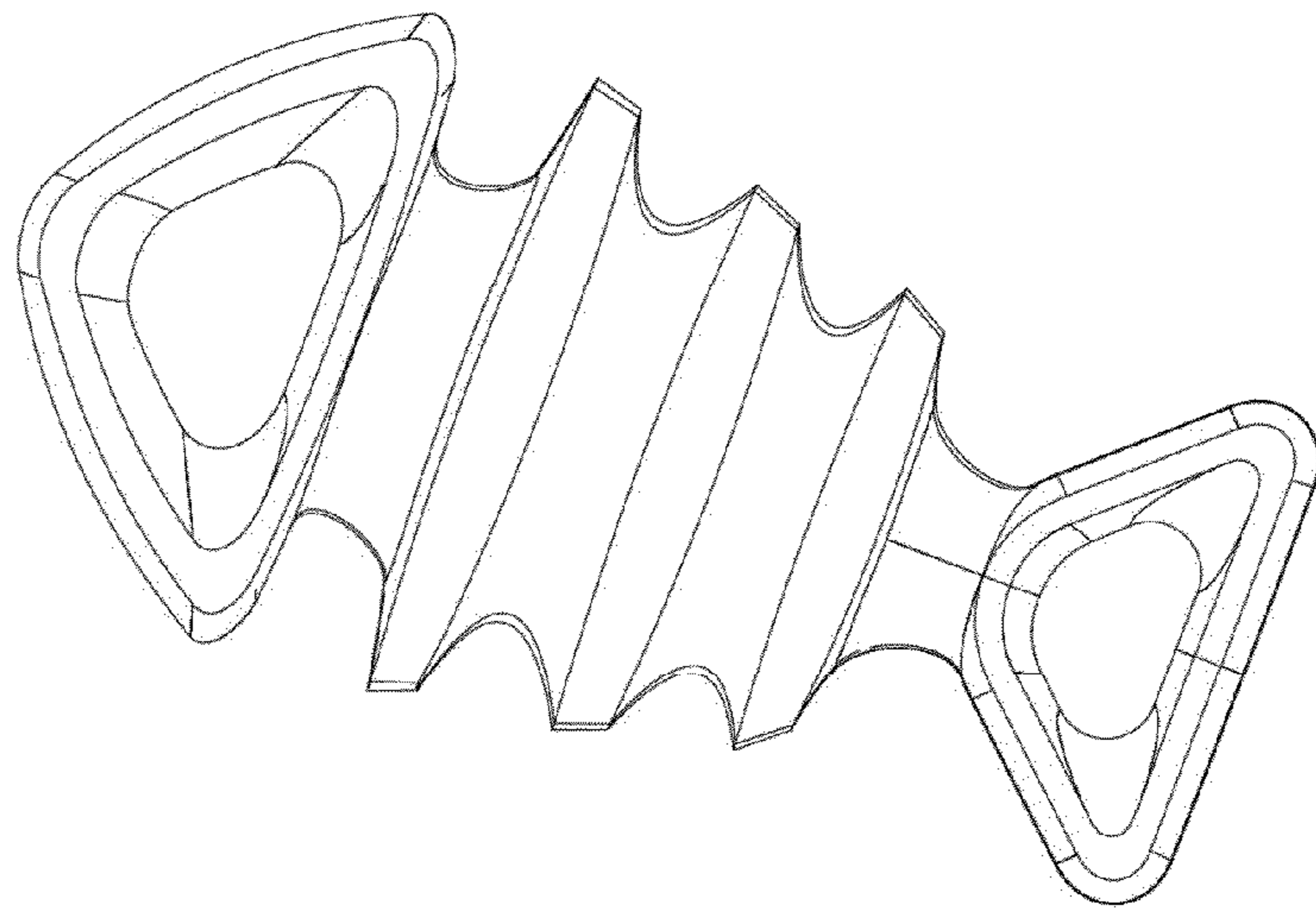


FIG. 6

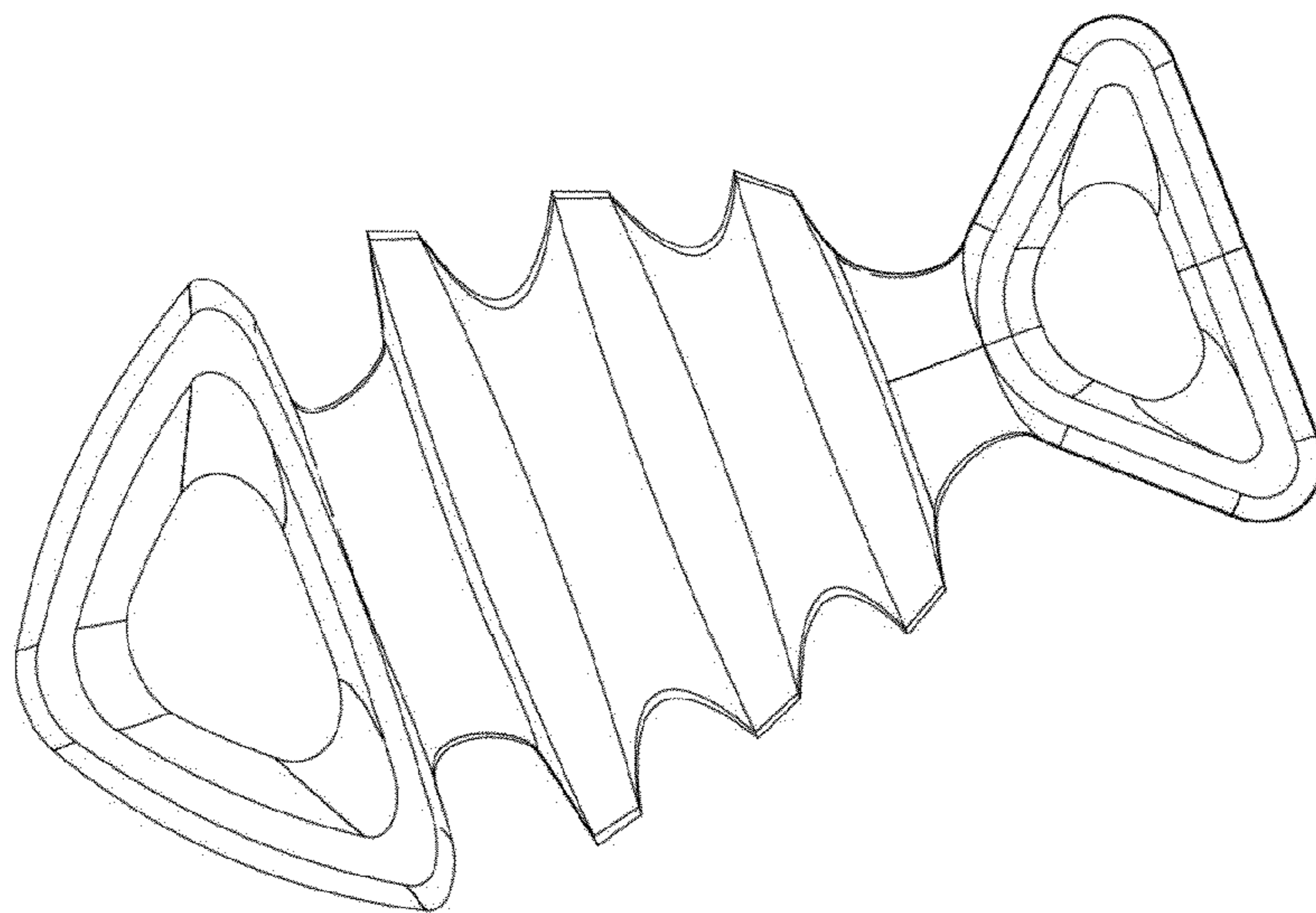


FIG. 7