



US00D724274S

(12) **United States Design Patent**  
**Ylisassi**

(10) **Patent No.:** **US D724,274 S**  
(45) **Date of Patent:** **\*\* Mar. 10, 2015**

(54) **ANIMAL BOWL**

(71) Applicant: **Evapro Consulting Oy**, Sundom (FI)

(72) Inventor: **Antti Ylisassi**, Haukipudas (FI)

(73) Assignee: **Evapro Consulting Oy**, Sundom (FI)

(\*\*) Term: **14 Years**

(21) Appl. No.: **29/491,578**

(22) Filed: **May 22, 2014**

(30) **Foreign Application Priority Data**

Nov. 27, 2013 (EM) ..... 2352526-0001

(51) **LOC (10) Cl.** ..... **30-03**

(52) **U.S. Cl.**  
USPC ..... **D30/129; D30/130; D30/122**

(58) **Field of Classification Search**  
USPC ..... D30/121, 122, 129-133; 119/61.5,  
119/51.01, 61.56, 51.03, 59, 62, 63, 51.5,  
119/57.8, 74, 61.54, 61.55, 53, 53.5, 75,  
119/51.02, 52.3, 57.9, 77; 312/204;  
248/151, 188; 108/156, 153.1-157;  
220/23.87, 630, 737, 743, 9.4, 495.01,  
220/574, 212, 255, 23.83; 206/515;  
D7/545, 500, 553.1-553.8, 546, 555,  
D7/556, 504, 565, 562, 602; D9/429;  
43/109; D22/122; 99/430, DIG. 15;  
49/30; 52/66, 64; 135/133, 906;  
D21/834

See application file for complete search history.

(56) **References Cited**

**U.S. PATENT DOCUMENTS**

1,413,750 A \* 4/1922 McCollough ..... 119/61.54  
D96,552 S \* 8/1935 Houghton, Jr. .... D11/143  
D103,600 S \* 3/1937 Shields, Jr. .... D9/455  
2,157,682 A \* 5/1939 Sweeny ..... 119/63

D208,181 S \* 7/1967 Hirota ..... D27/134  
D232,564 S \* 8/1974 Kissin ..... D30/129  
4,164,200 A \* 8/1979 Gambling ..... 119/51.12  
4,691,664 A \* 9/1987 Crowell ..... 119/61.52  
D299,768 S \* 2/1989 Windom ..... D30/129  
4,899,693 A \* 2/1990 Arnold ..... 119/28.5  
D312,895 S \* 12/1990 Goetz ..... D30/129  
5,005,524 A \* 4/1991 Berry ..... 119/51.11  
D331,538 S \* 12/1992 Fabre ..... D9/455  
5,503,110 A \* 4/1996 Miller ..... 119/166  
D413,416 S \* 8/1999 Frank ..... D30/161  
D414,080 S \* 9/1999 Bolwien ..... D7/602  
D449,137 S \* 10/2001 Newman ..... D30/129  
D466,653 S \* 12/2002 East ..... D30/121  
D579,724 S \* 11/2008 McMurphy ..... D7/545  
D612,214 S \* 3/2010 Murray ..... D7/628  
7,832,355 B2 \* 11/2010 Mills ..... 119/51.02  
D636,943 S \* 4/2011 Pilz ..... D30/122  
2011/0283947 A1 \* 11/2011 Linke ..... 119/61.53

\* cited by examiner

*Primary Examiner* — Susan Moon Lee

(74) *Attorney, Agent, or Firm* — Jacobson Holman, PLLC.

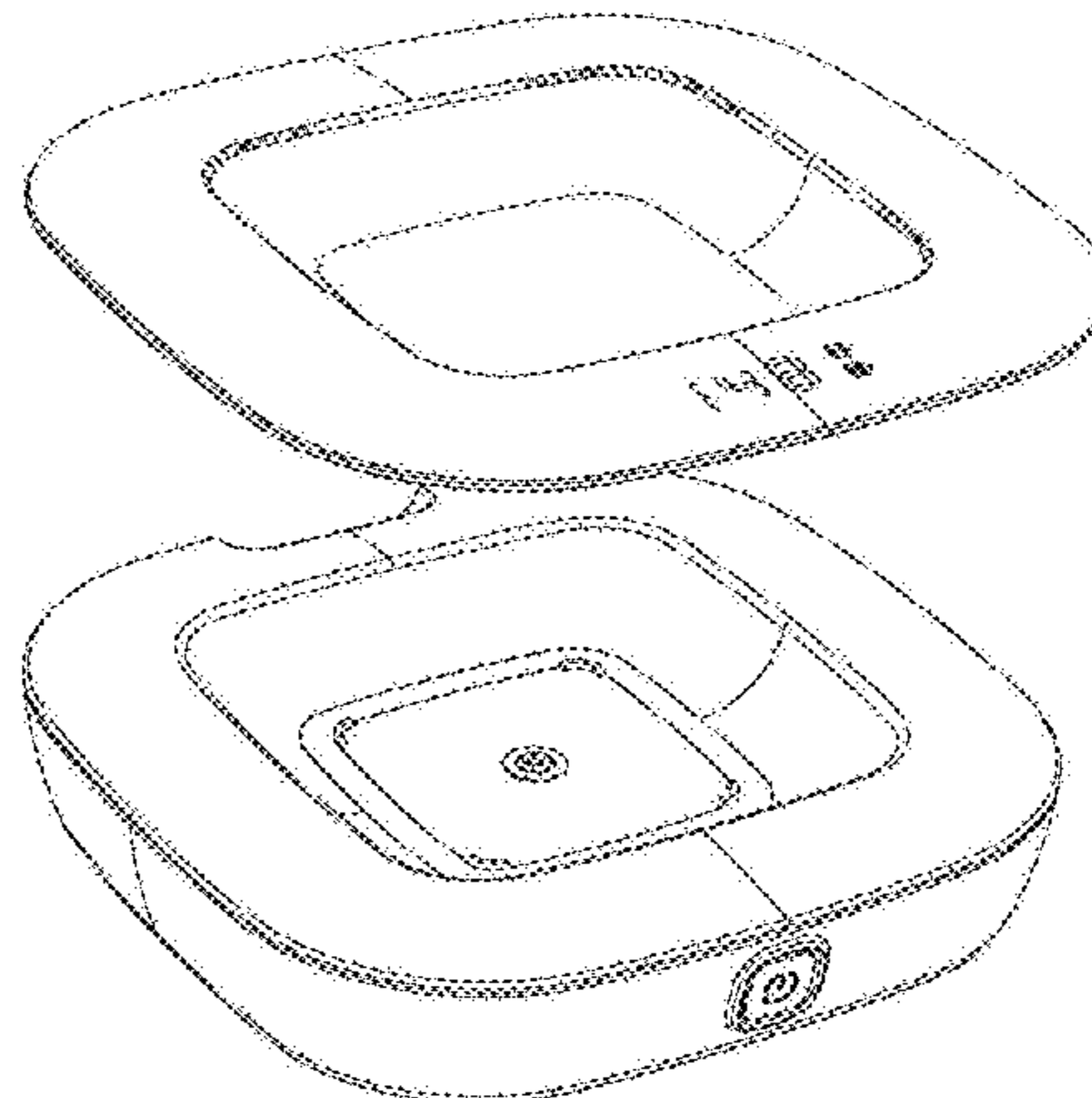
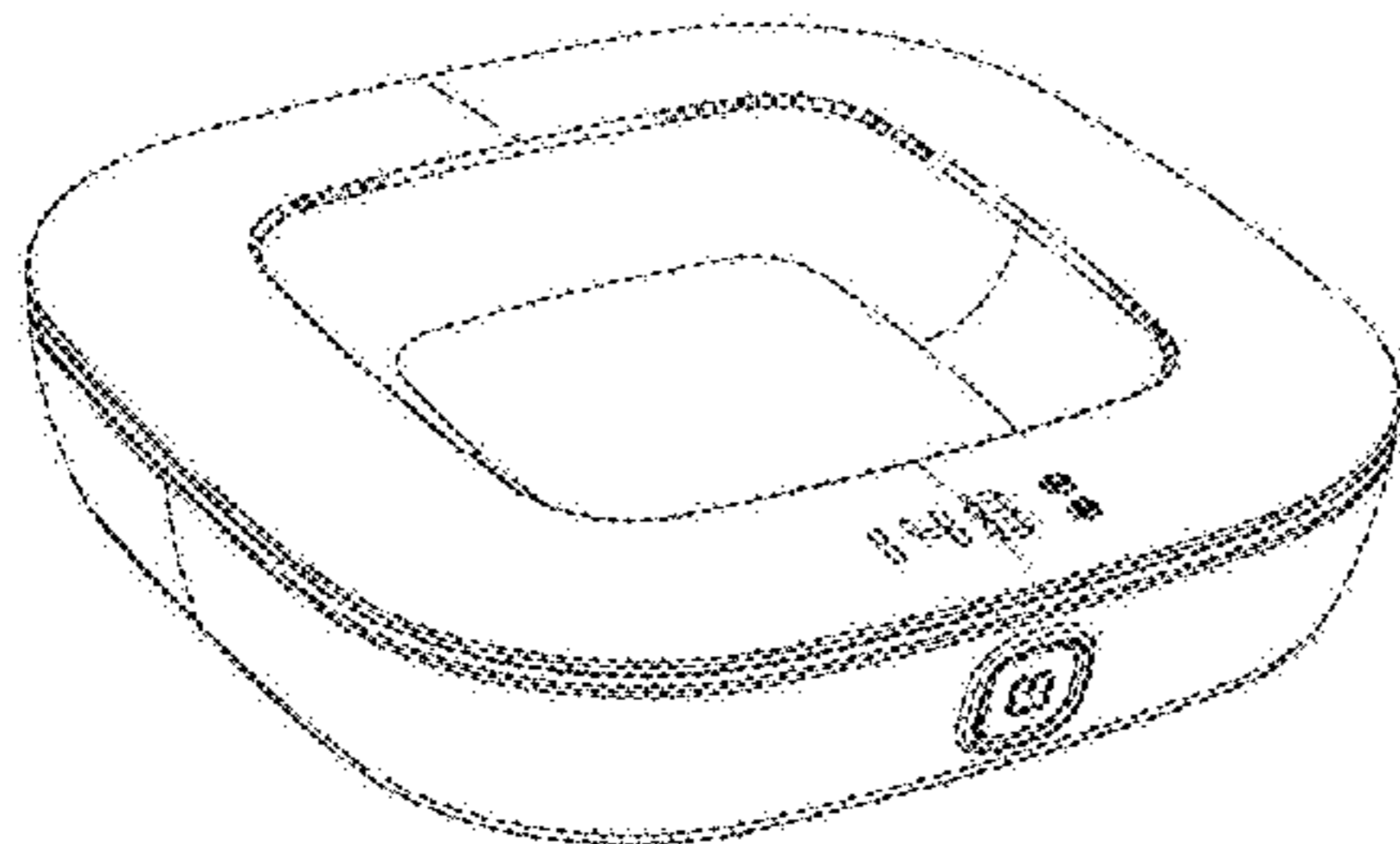
(57) **CLAIM**

I claim the ornamental design for an animal bowl, as shown and described.

**DESCRIPTION**

FIG. 1 is a front perspective view of the animal bowl embodying my design;  
FIG. 2 is an exploded perspective view thereof;  
FIG. 3 is a top plan view of the animal bowl as shown in FIG. 1;  
FIG. 4 is a bottom view of the animal bowl as shown in FIG. 1;  
FIG. 5 is a front elevational view of the animal bowl shown in FIG. 1;  
FIG. 6 is a back elevational view of the animal bowl shown in FIG. 1; and,  
FIG. 7 is a side view, the other side being identical, of the animal bowl shown in FIG. 1.

**1 Claim, 5 Drawing Sheets**



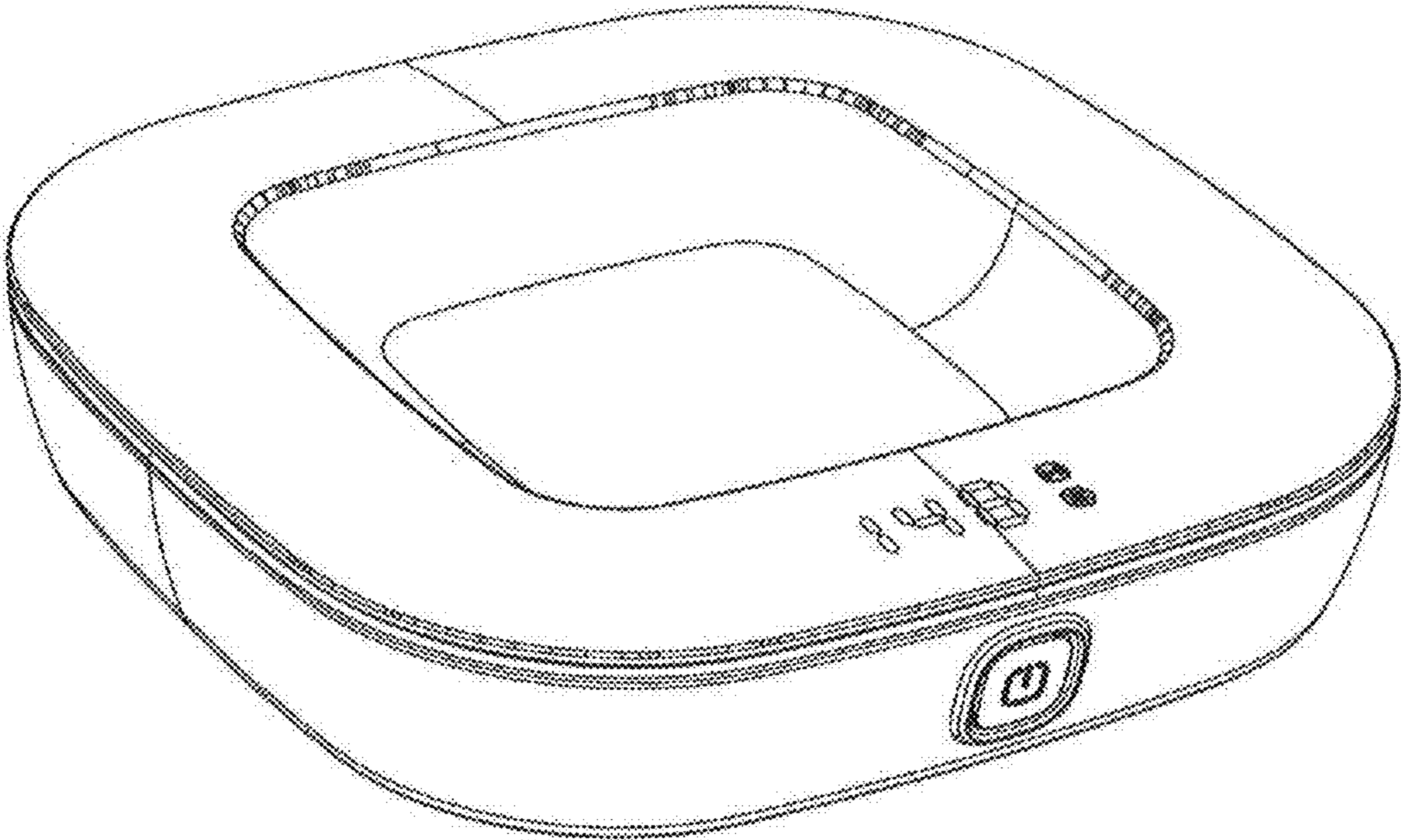
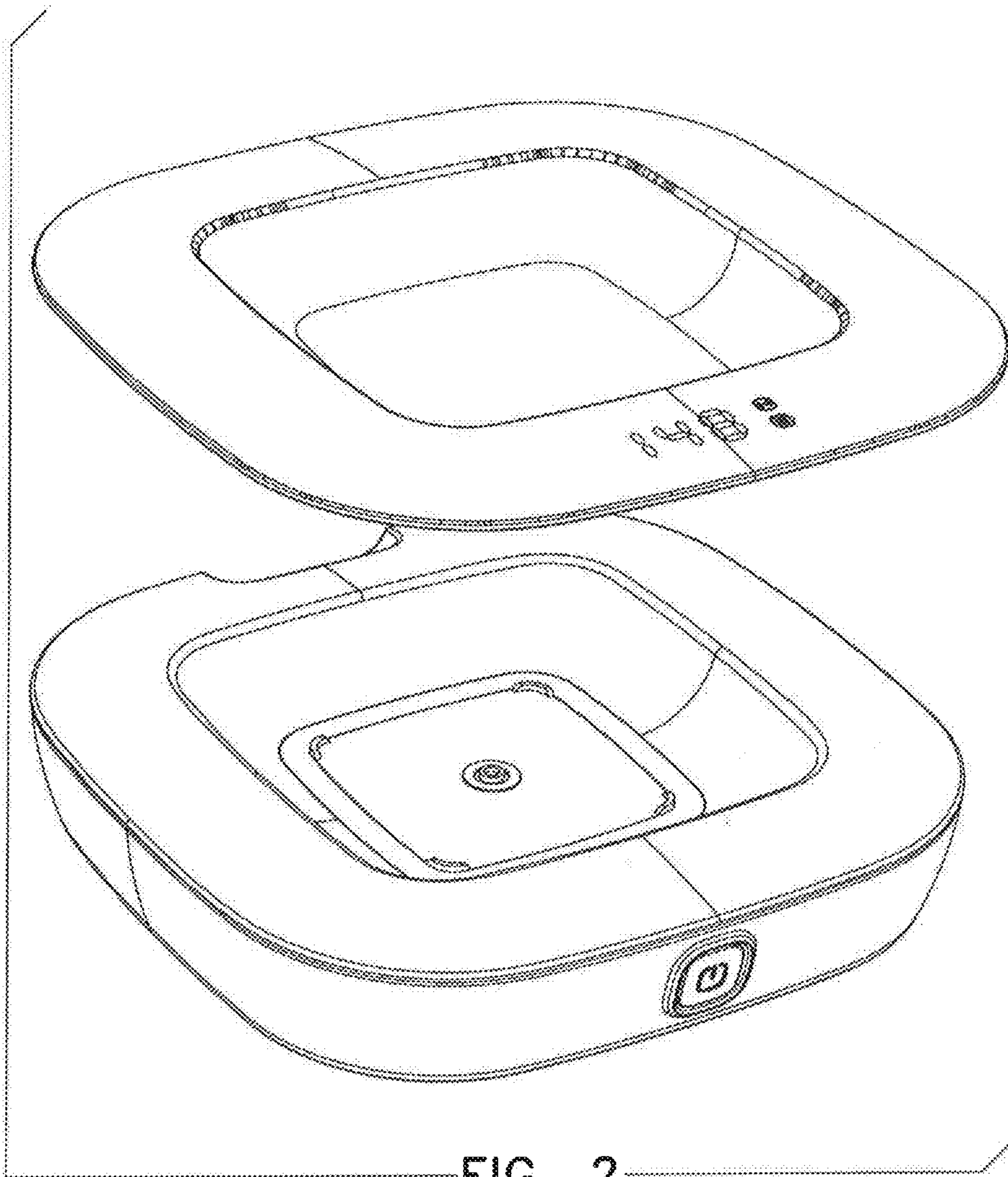


FIG. 1



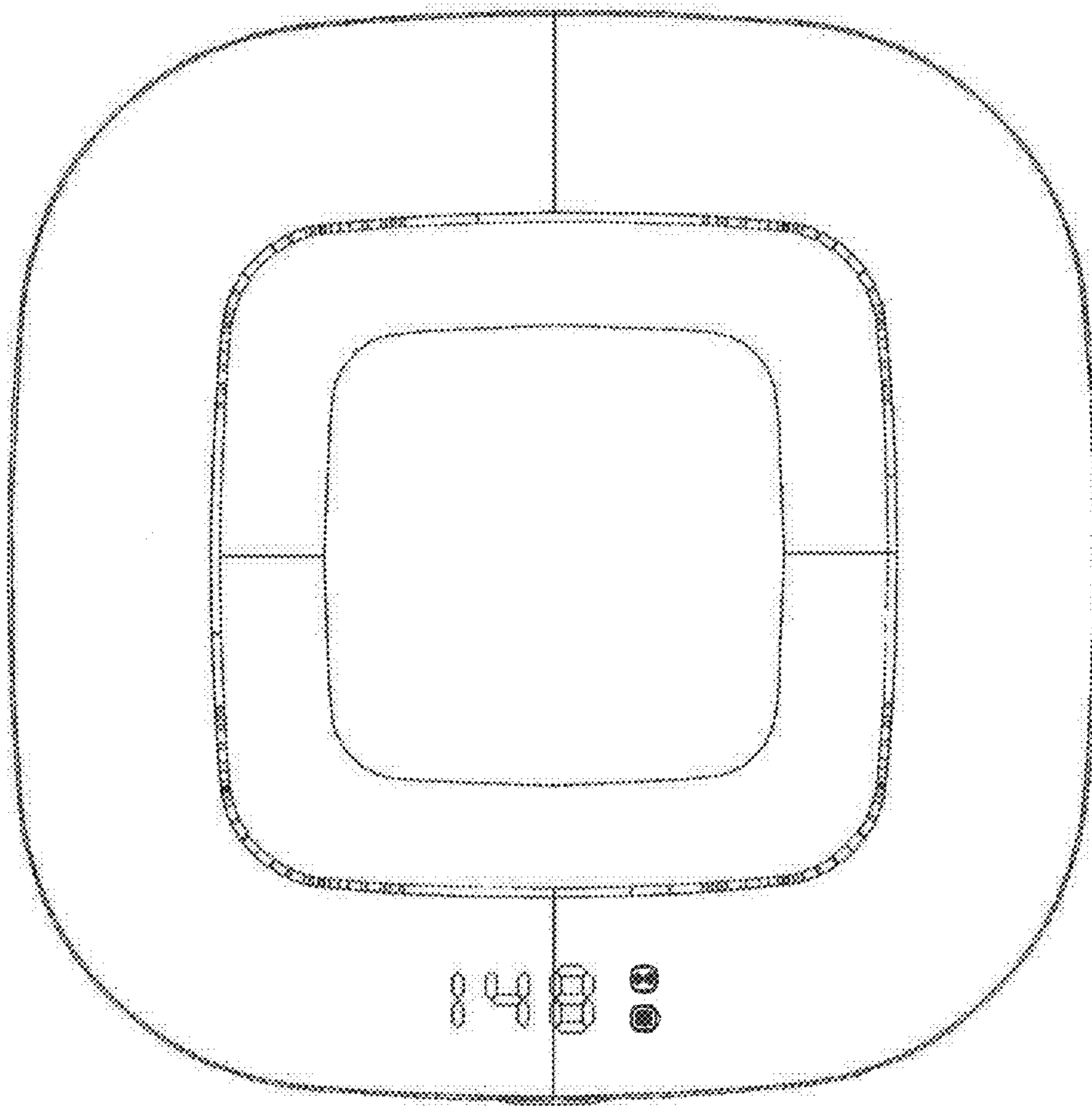


FIG. 3

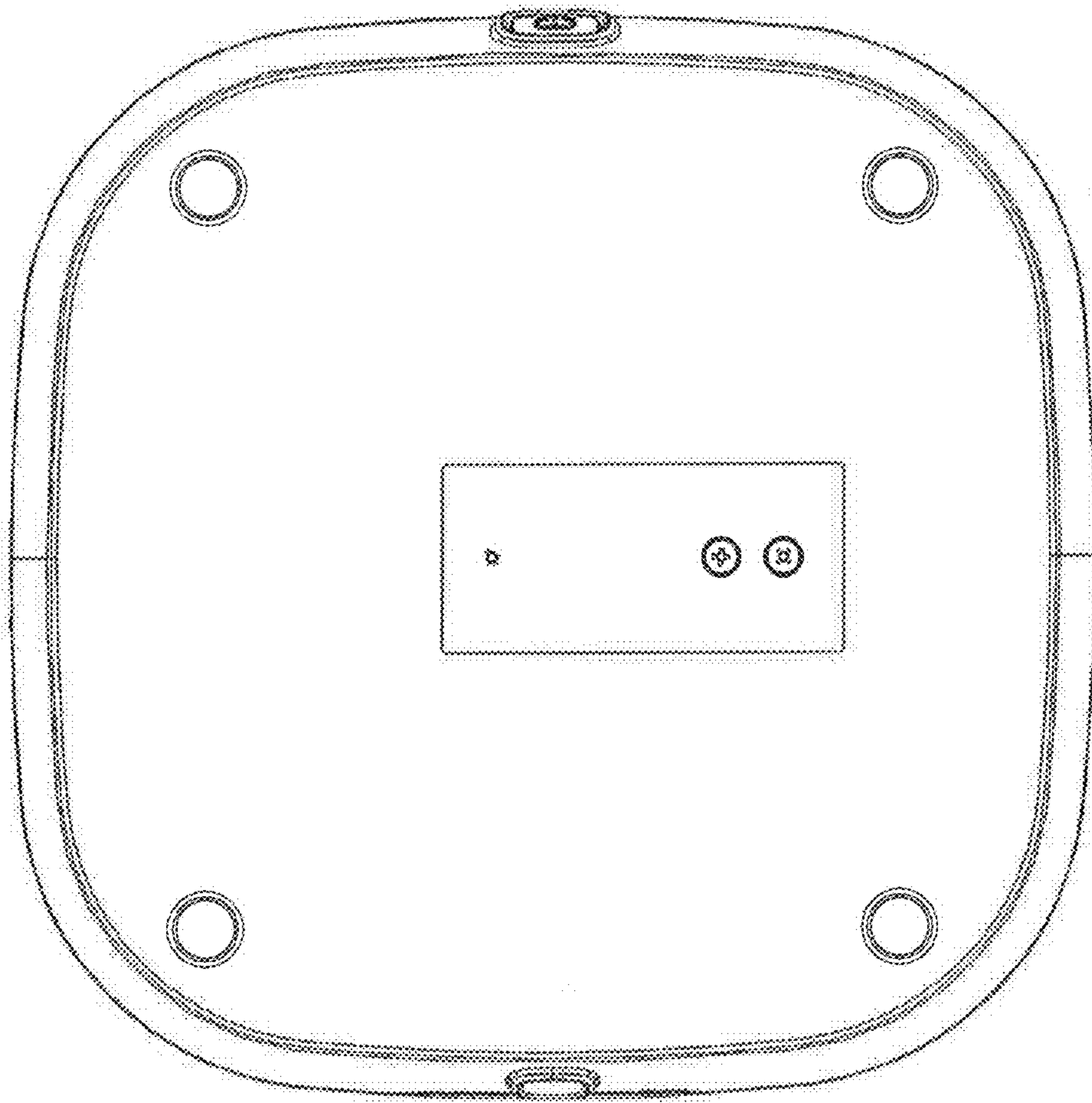


FIG. 4

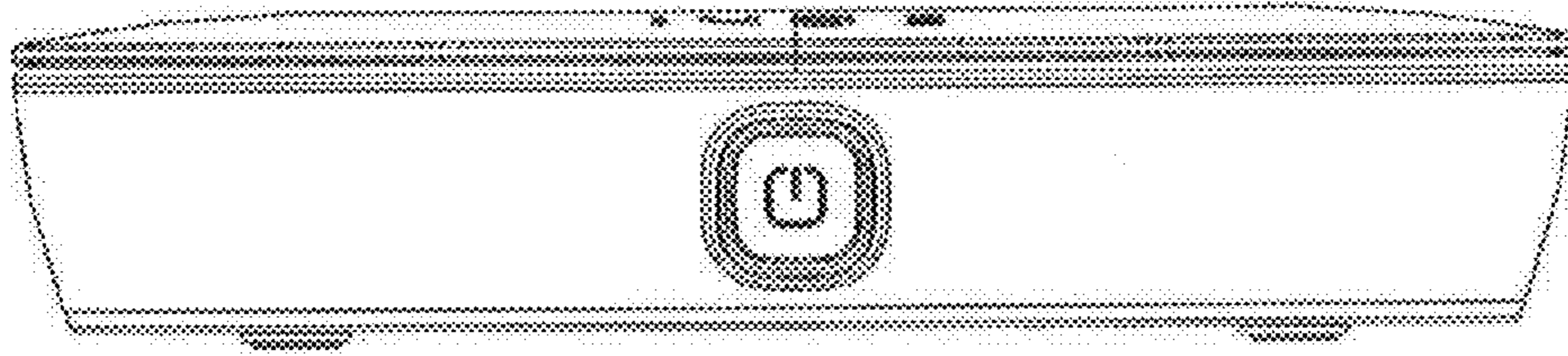


FIG. 5

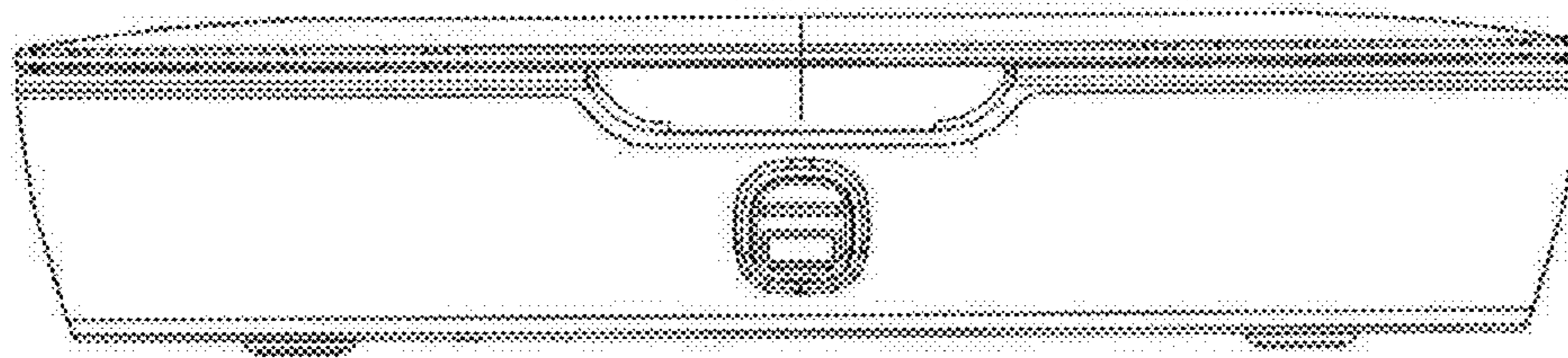


FIG. 6

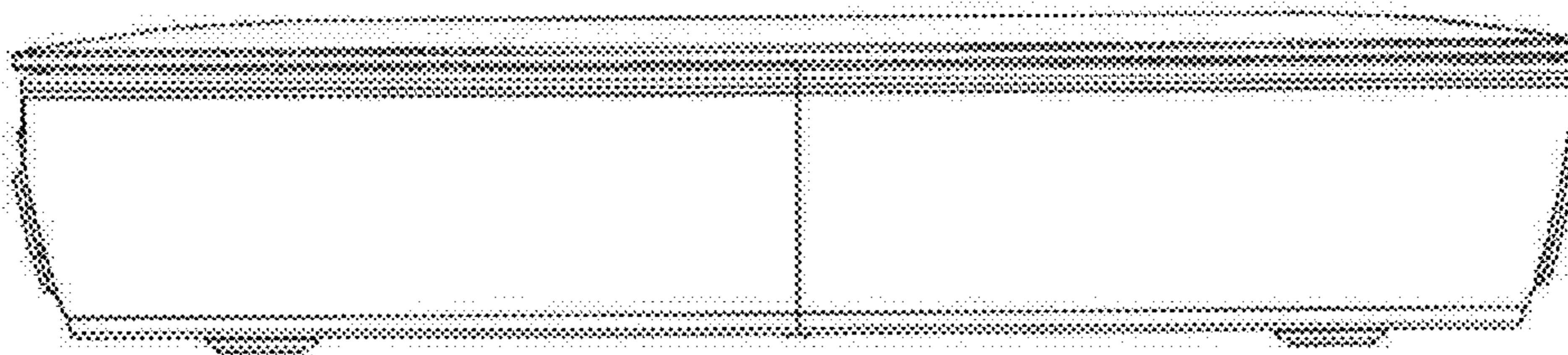


FIG. 7