



US00D724271S

(12) **United States Design Patent**
Giannini

(10) **Patent No.:** **US D724,271 S**
(45) **Date of Patent:** **** Mar. 10, 2015**

- (54) **ELECTRIC CLIPPER HEAD**
- (71) Applicant: **Beau Giannini**, Tiburon, CA (US)
- (72) Inventor: **Beau Giannini**, Tiburon, CA (US)
- (**) Term: **14 Years**
- (21) Appl. No.: **29/459,857**
- (22) Filed: **Jul. 3, 2013**
- (51) **LOC (10) Cl.** **28-03**
- (52) **U.S. Cl.**
USPC **D28/54**
- (58) **Field of Classification Search**
USPC D28/44-54; 30/34.05, 32, 34.1, 34.2,
30/43-43.92, 526-527, 44-45, 341, 272.1,
30/226-227, 231, 233-233.5, 201
See application file for complete search history.

- D698,079 S * 1/2014 Zheng et al. D28/53
- D698,086 S * 1/2014 Zheng et al. D28/54
- D698,494 S * 1/2014 Zheng et al. D28/54
- D711,045 S * 8/2014 Palmer et al. D28/54
- D711,593 S * 8/2014 Palmer et al. D28/54
- D711,594 S * 8/2014 Palmer et al. D28/54

* cited by examiner

Primary Examiner — Jennifer Rivard
(74) *Attorney, Agent, or Firm* — Fredrikson & Byron, P.A.

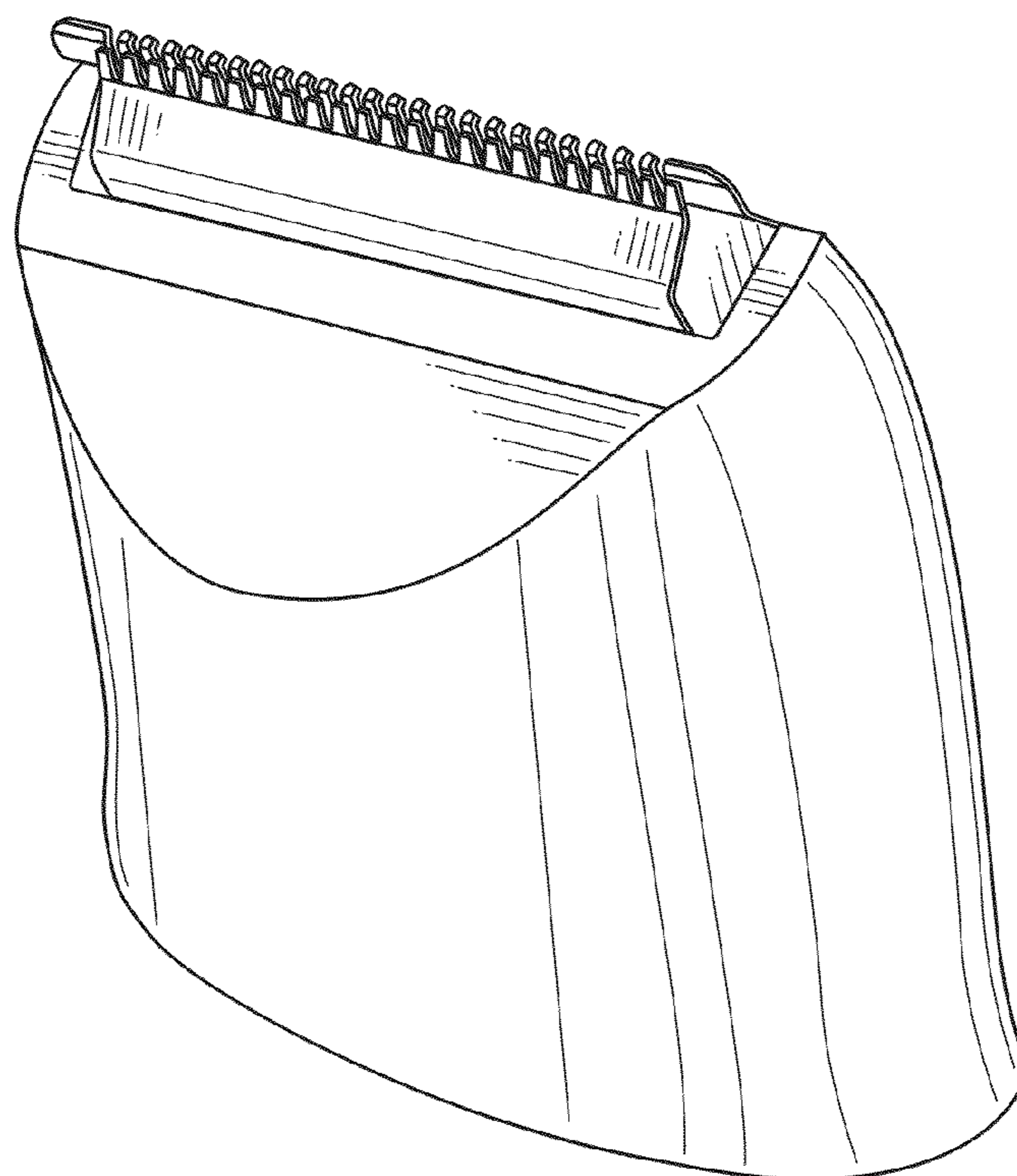
(57) **CLAIM**
I claim the ornamental design for an electric clipper head, as shown and described.

DESCRIPTION

FIG. 1 is a front perspective view showing the design according to an embodiment;
FIG. 2 is a front elevation view thereof;
FIG. 3 is a rear elevation view thereof;
FIG. 4 is a right elevation view thereof;
FIG. 5 is a left elevation view thereof;
FIG. 6 is a top plan view thereof; and
FIG. 7 is a bottom plan view thereof.
FIG. 8 is another front perspective view thereof; and,
FIG. 9 is another rear perspective view thereof.
The broken lines illustrate portions of the electric clipper head form no part of the claimed design.

- (56) **References Cited**
U.S. PATENT DOCUMENTS
- D451,639 S * 12/2001 Lior D28/10
- D567,443 S * 4/2008 Giannini D28/53
- D567,444 S * 4/2008 Giannini D28/54
- D567,445 S * 4/2008 Giannini D28/54
- D567,446 S * 4/2008 Hara et al. D28/54
- D583,098 S * 12/2008 Giannini D28/54
- D602,636 S * 10/2009 Lothar et al. D28/54
- D624,244 S * 9/2010 Giannini D28/54

1 Claim, 4 Drawing Sheets



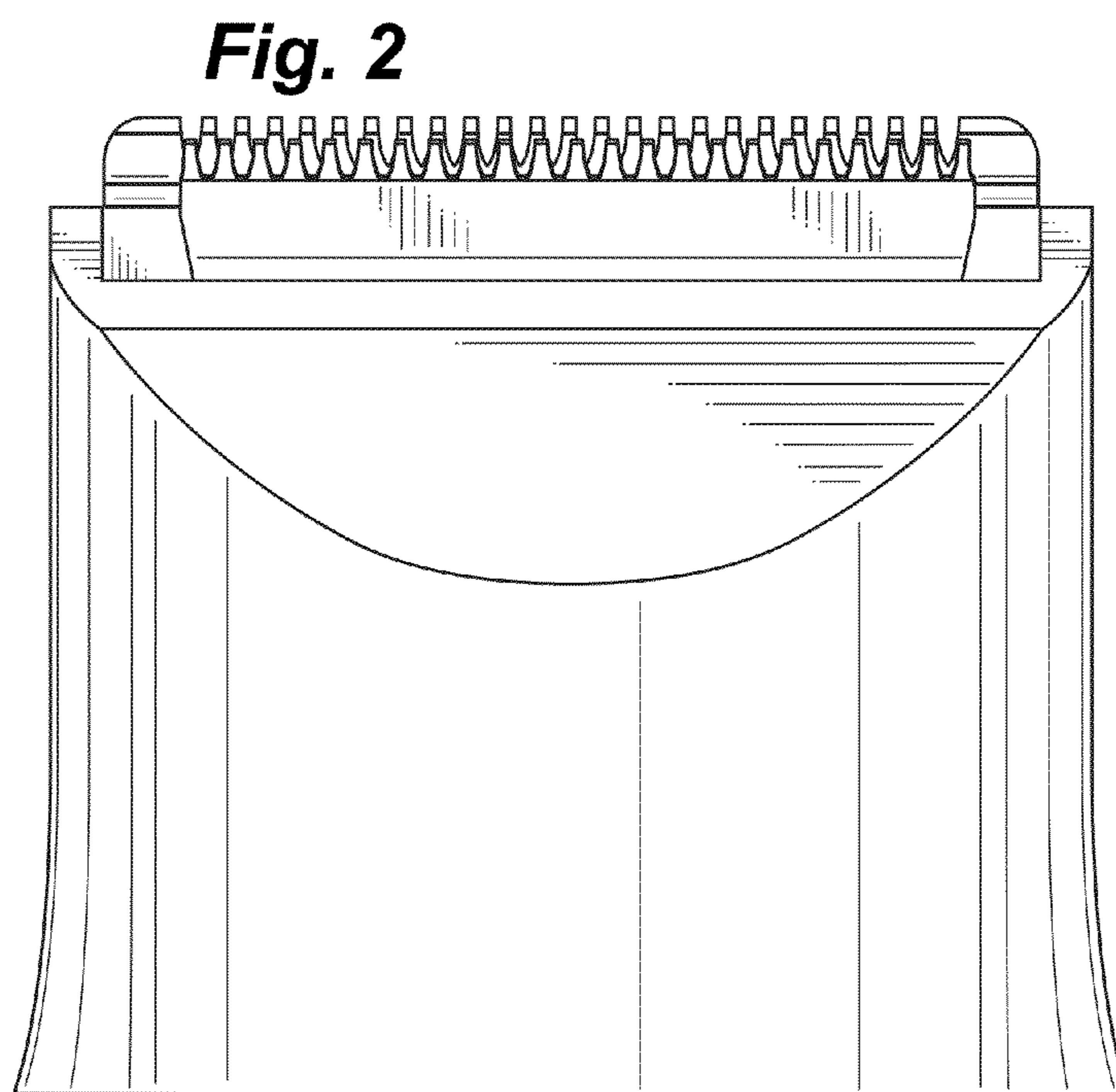
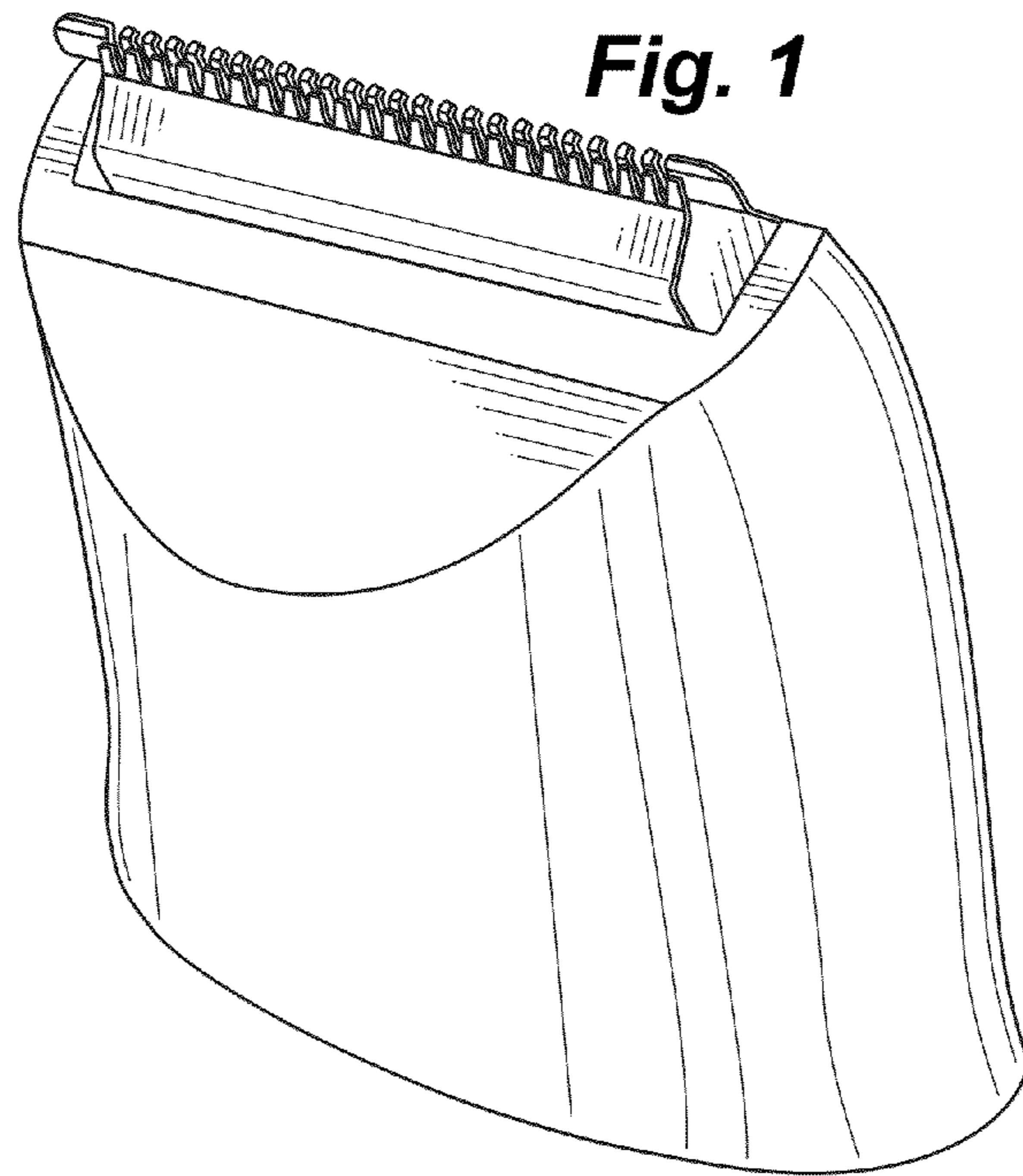


Fig. 3

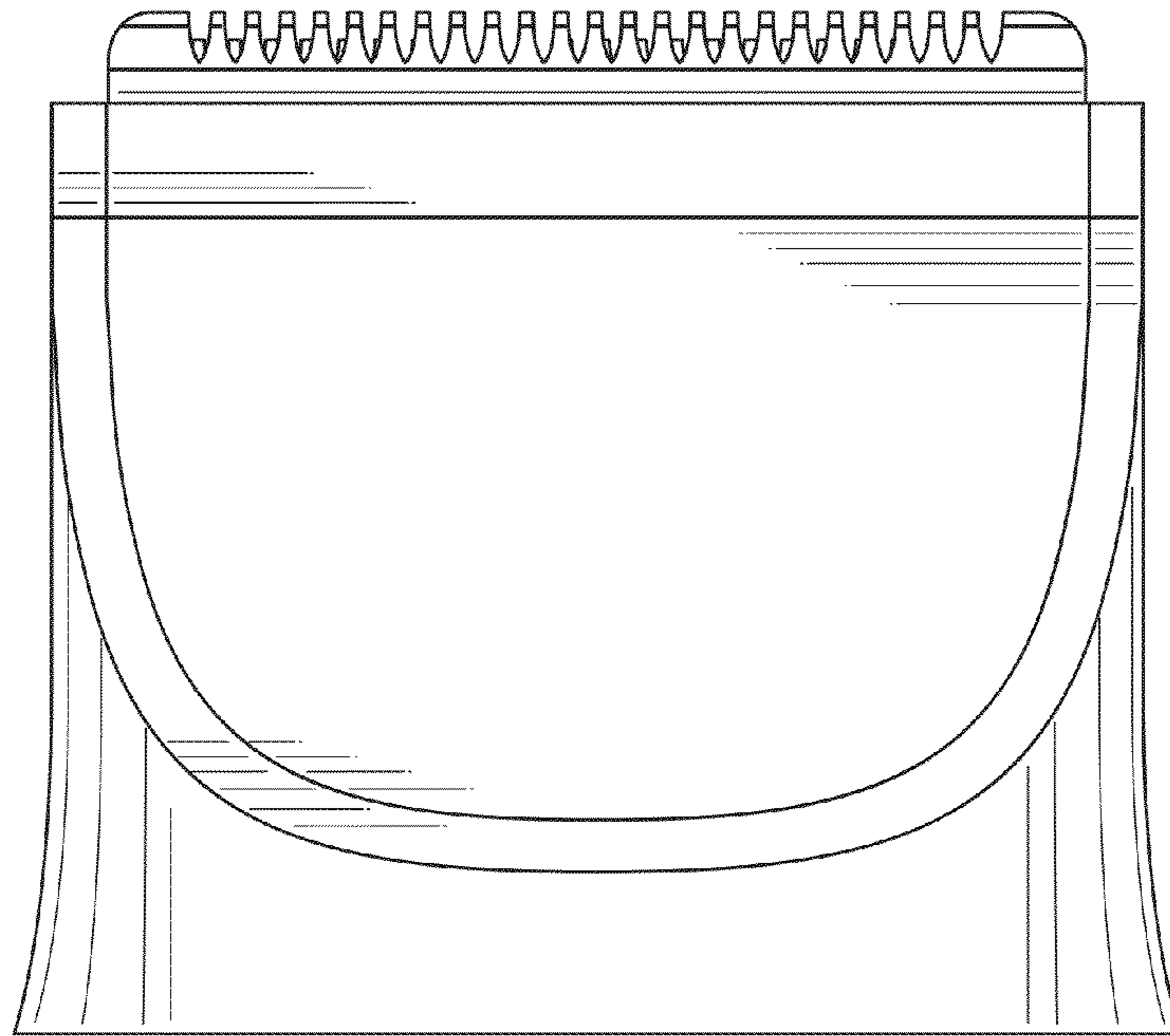


Fig. 4

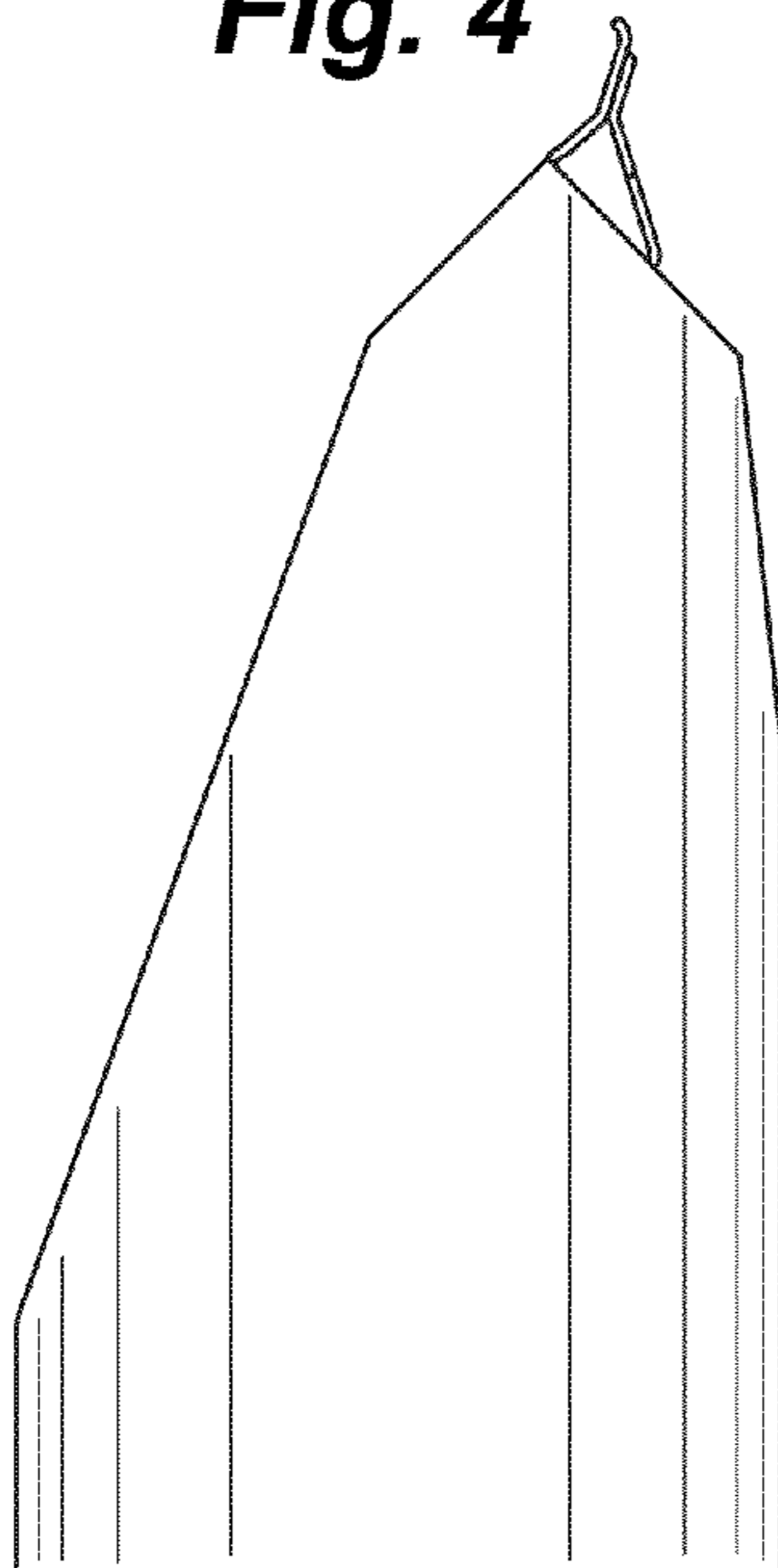


Fig. 5

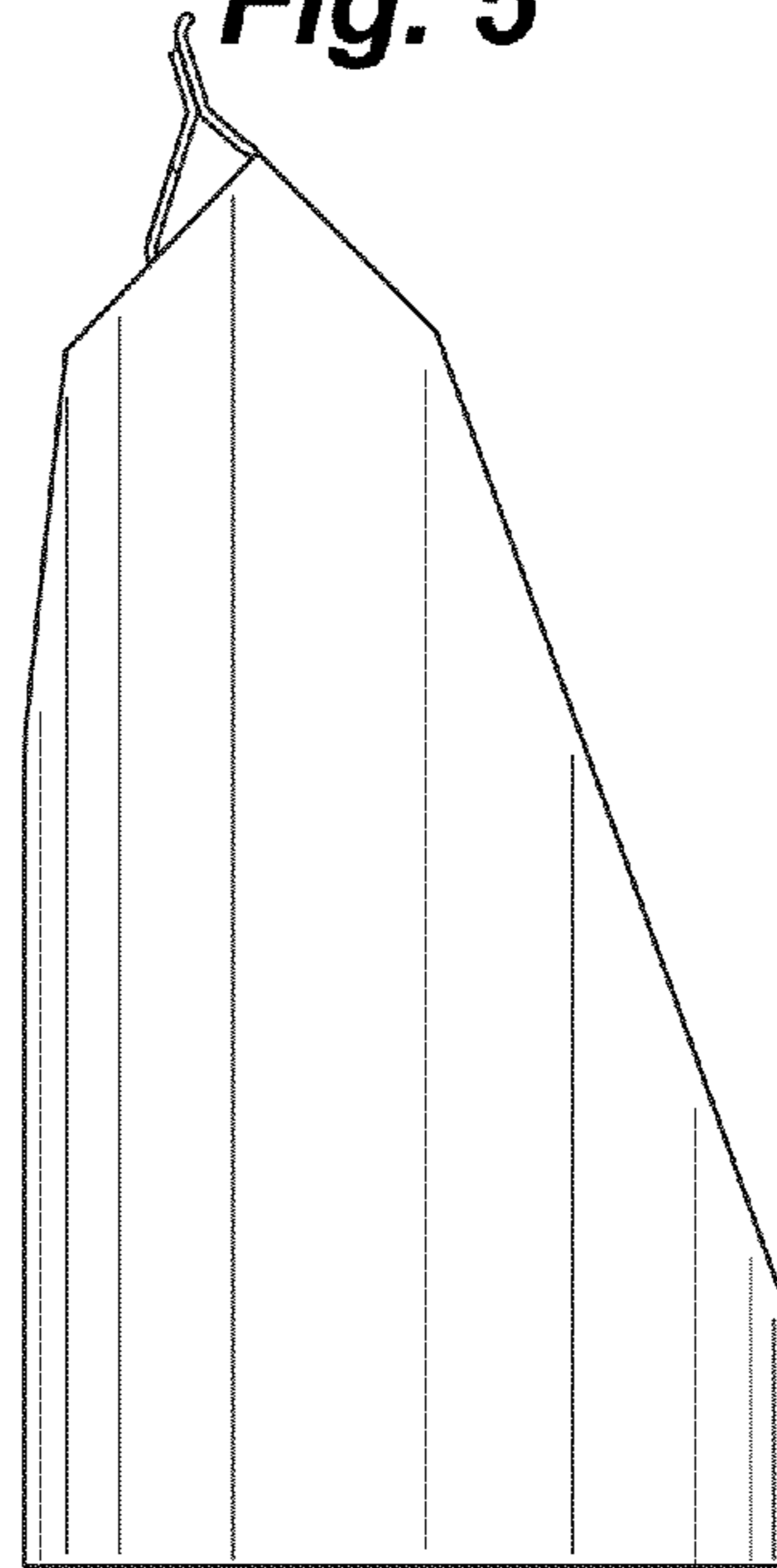


Fig. 6

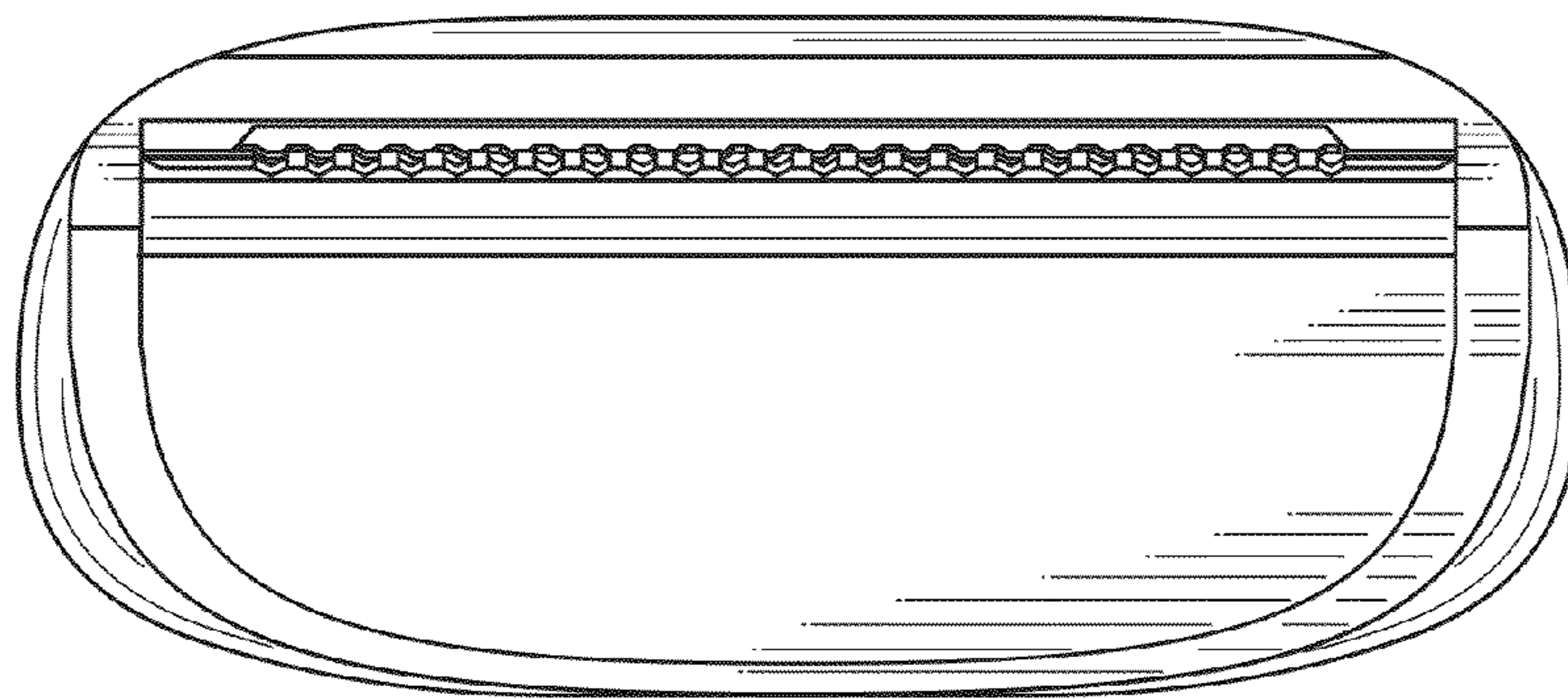


Fig. 7

