

US00D724270S

(12) **United States Design Patent**
Sims et al.

(10) **Patent No.:** **US D724,270 S**
(45) **Date of Patent:** **** Mar. 10, 2015**

(54) **HANDLE FOR A RAZOR**
(71) Applicant: **The Gillette Company**, Boston, MA
(US)
(72) Inventors: **Daniel Jerome Sims**, Brookline, MA
(US); **David Scott Whetstone**, San
Francisco, CA (US)
(73) Assignee: **The Gillette Company**, Boston, MA
(US)

D563,045 S * 2/2008 Provost et al. D28/48
D563,046 S * 2/2008 Provost et al. D28/48
D567,442 S * 4/2008 McMullan D28/46
D641,104 S * 7/2011 Watson et al. D28/47
D652,991 S * 1/2012 Cavazos Jimenez et al. .. D28/48
D655,042 S * 2/2012 Watson et al. D28/48
D656,676 S * 3/2012 Cavazos Jimenez et al. .. D28/48
D656,677 S * 3/2012 Cavazos Jimenez et al. .. D28/48
D674,138 S * 1/2013 Watson et al. D28/47
D700,996 S * 3/2014 Lee et al. D28/48
2008/0184563 A1* 8/2008 Hamadeh 30/41
2013/0247381 A1* 9/2013 Blaustein et al. 30/34.1

* cited by examiner

(**) Term: **14 Years**

Primary Examiner — Jennifer Rivard

(21) Appl. No.: **29/504,536**

(74) *Attorney, Agent, or Firm* — Kevin C. Johnson; Steven
W. Miller

(22) Filed: **Oct. 16, 2014**

(51) **LOC (10) Cl.** **28-03**

(57) **CLAIM**

(52) **U.S. Cl.**
USPC **D28/48**

The ornamental design for a handle for a razor, as shown and
described.

(58) **Field of Classification Search**
CPC B26B 21/00–21/12; B26B 21/14;
B26B 21/16; B26B 21/165; B26B 21/18;
B26B 21/185; B26B 21/20–21/227; B26B
21/24; B26B 21/28; B26B 21/30; B26B
21/32; B26B 21/40; B26B 21/4062; B26B
21/4068; B26B 21/4075; B26B 21/52–21/528
USPC D28/44–48, 49, 51
See application file for complete search history.

DESCRIPTION

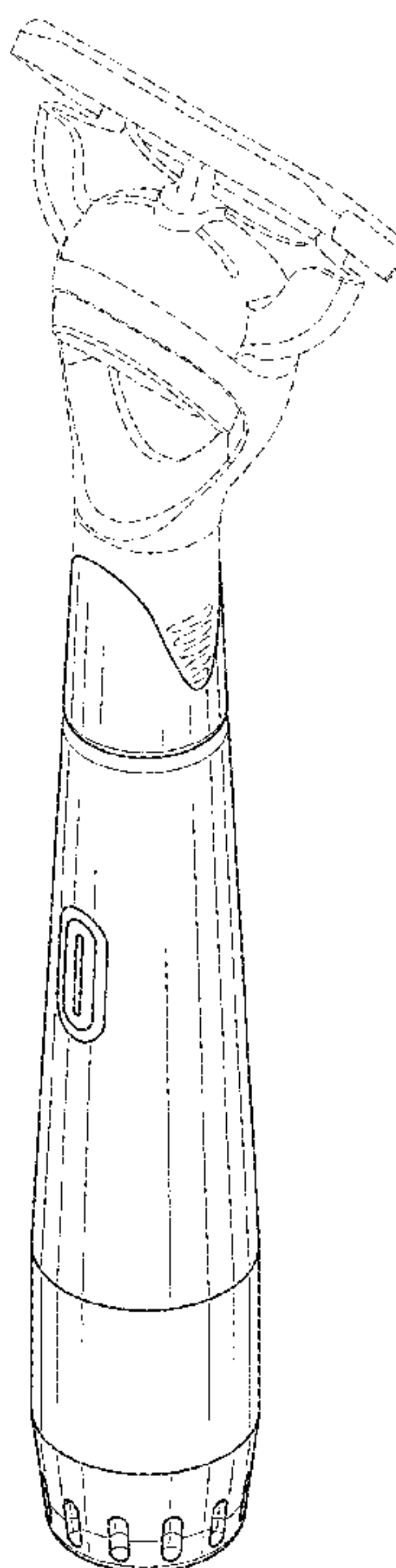
FIG. 1 is a perspective view of a handle for a razor of the
present invention;
FIG. 2 is a front view thereof;
FIG. 3 is a rear view thereof;
FIG. 4 is a right side view thereof;
FIG. 5 is a left side view thereof;
FIG. 6 is a top view thereof; and,
FIG. 7 is a bottom view thereof.
The broken lines illustrate the environment of the handle for
a razor and form no part of the claimed design.

(56) **References Cited**

U.S. PATENT DOCUMENTS

4,819,330 A * 4/1989 Fenn et al. 30/45
D306,915 S * 3/1990 Luzenberg D28/46

1 Claim, 4 Drawing Sheets



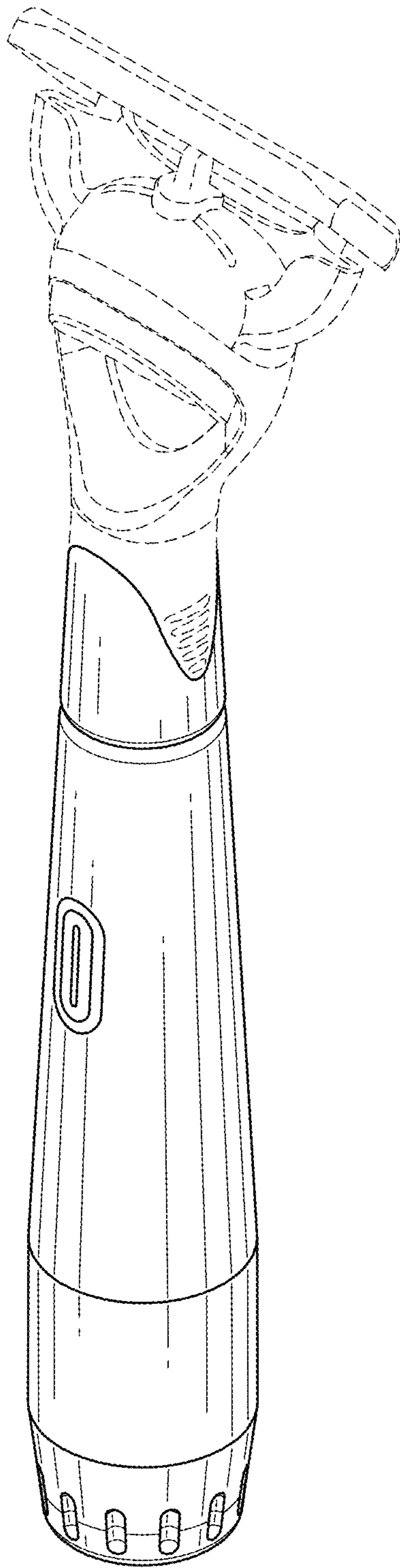


FIG. 1

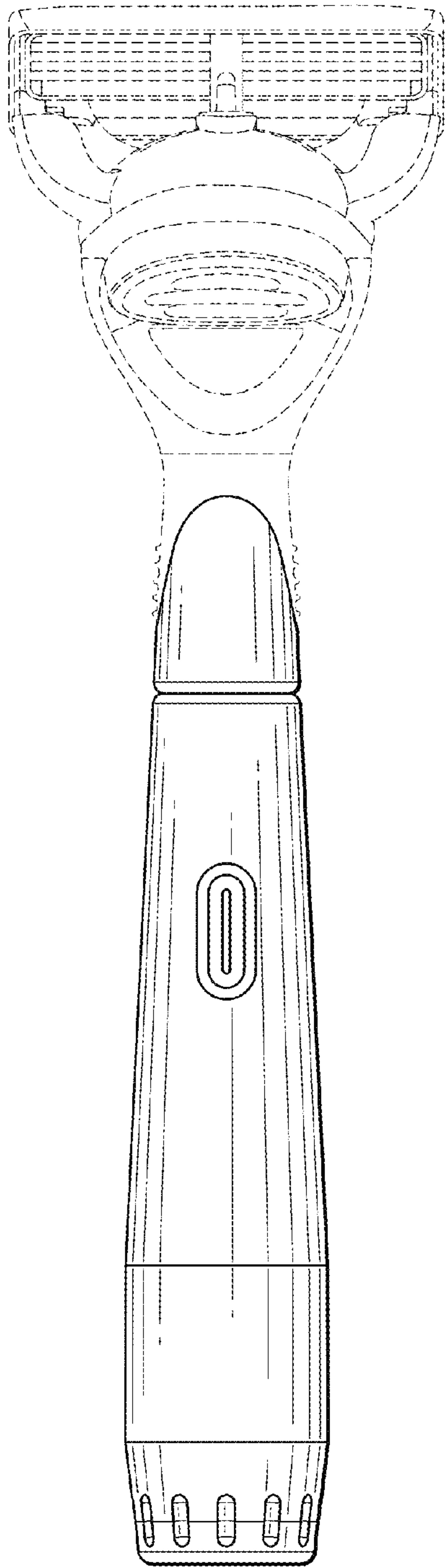


FIG. 2

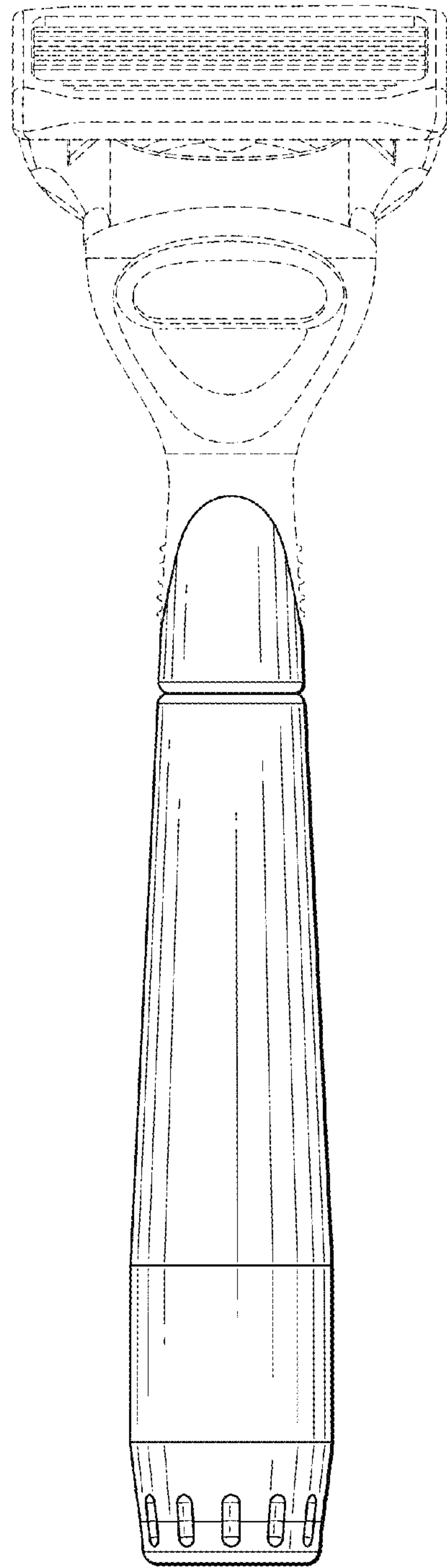


FIG. 3

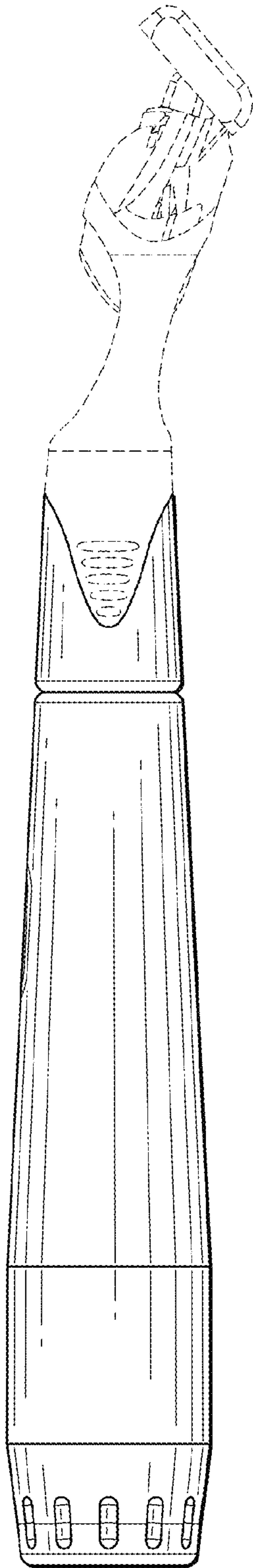


FIG. 4

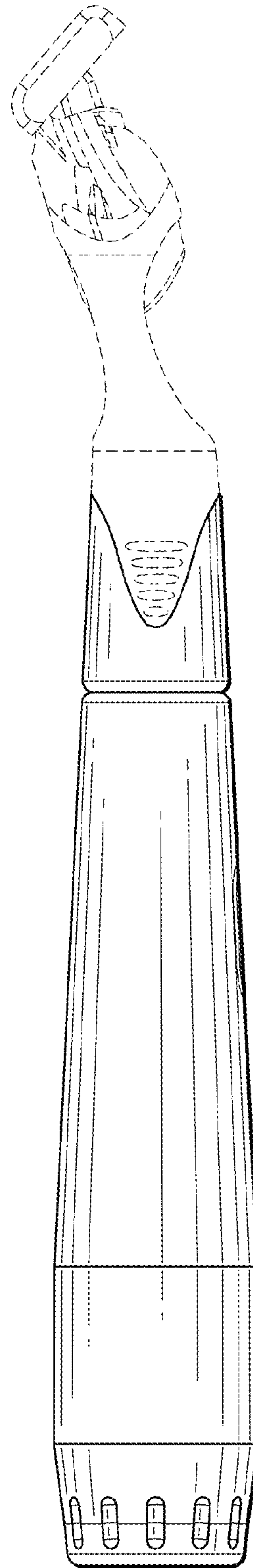


FIG. 5

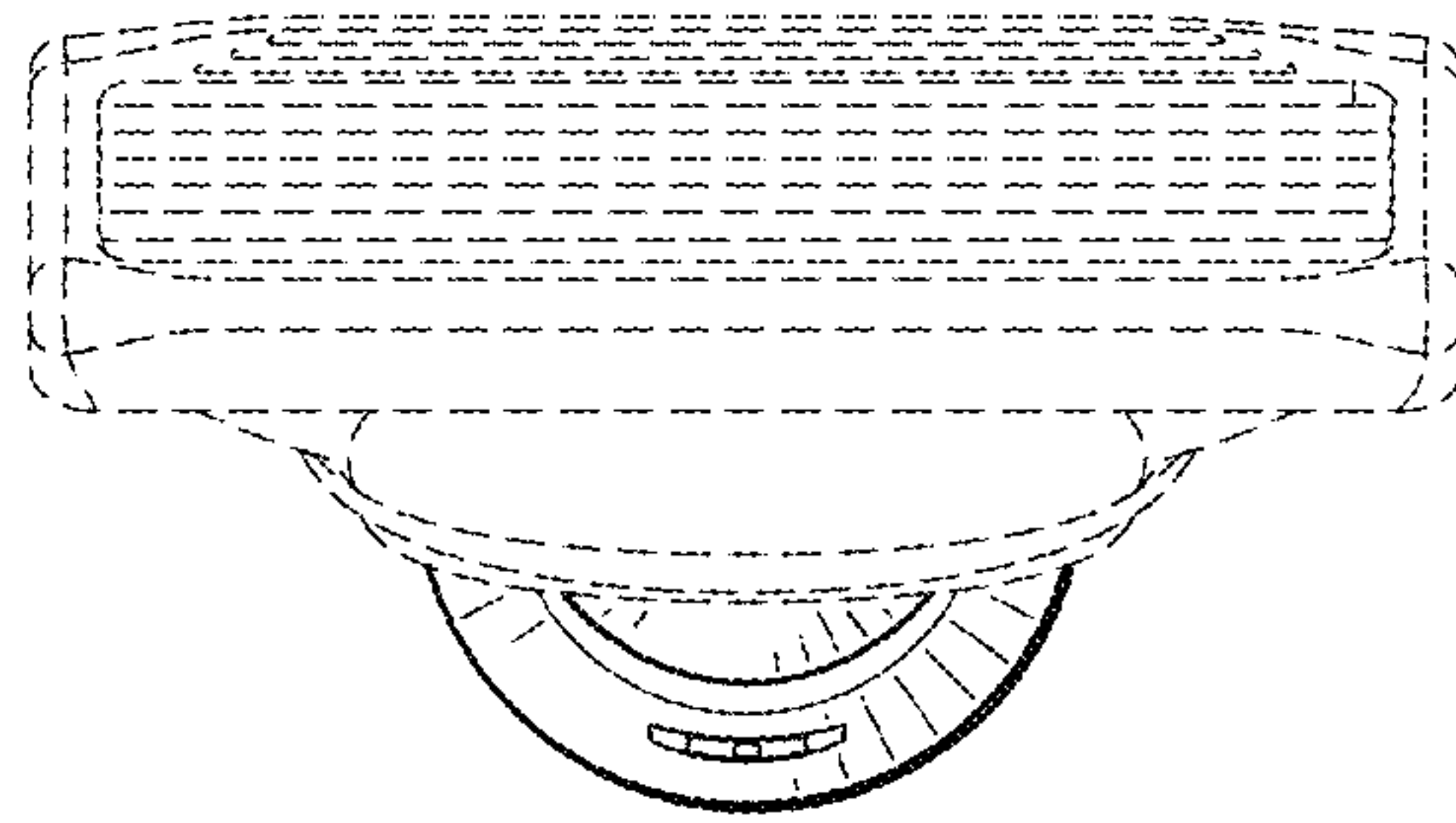


FIG. 6

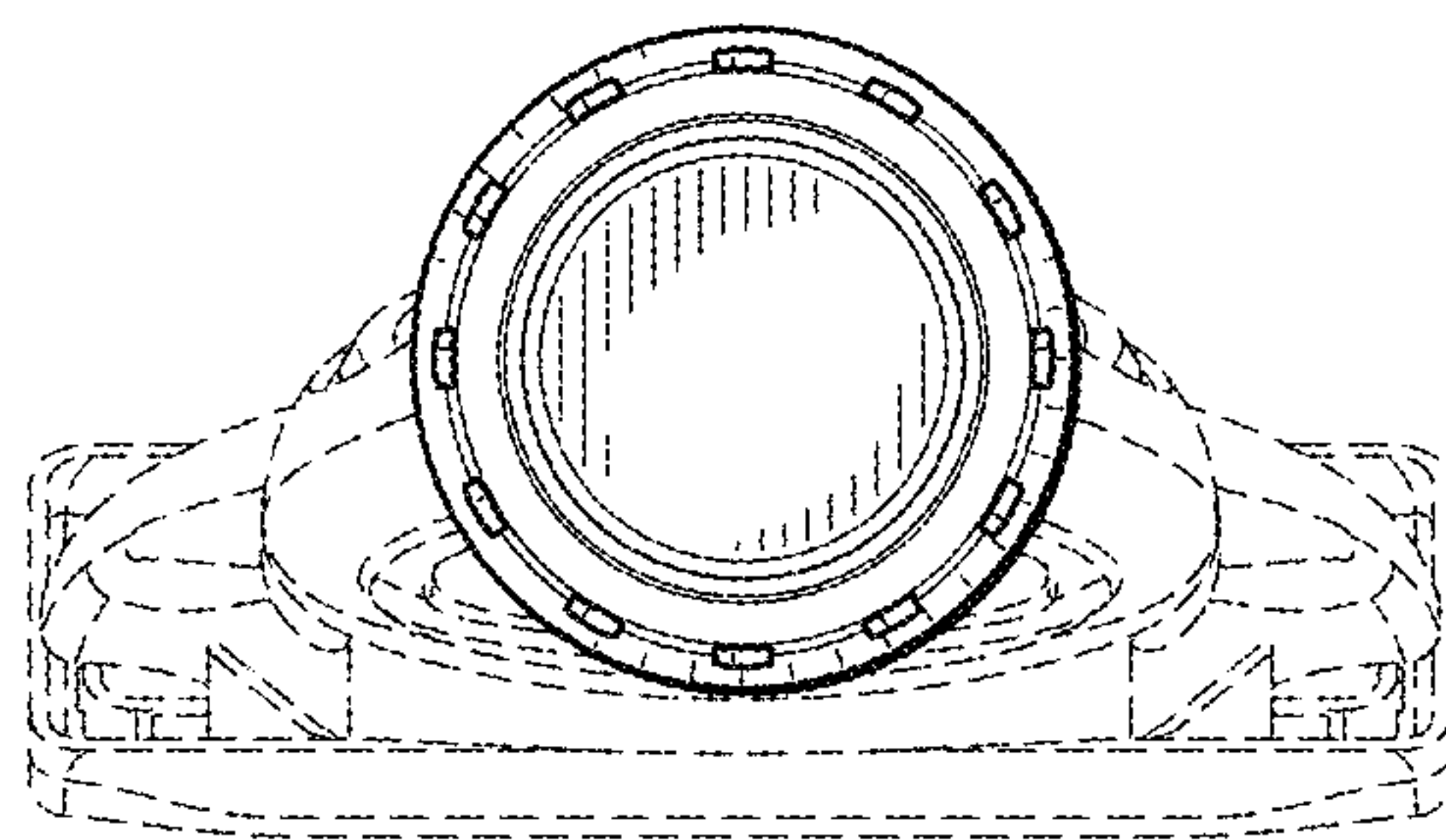


FIG. 7