



US00D724269S

(12) **United States Design Patent**  
**Szczepanowski et al.**

(10) **Patent No.:** **US D724,269 S**  
(45) **Date of Patent:** **\*\* Mar. 10, 2015**

(54) **HANDLE FOR A RAZOR**  
(71) Applicant: **The Gillette Company**, Boston, MA (US)  
(72) Inventors: **Andrew Anthony Szczepanowski**, North Attleboro, MA (US); **Michael Frederick Palmer**, Cincinnati, OH (US); **Brandon Albert Lynne**, Daly City, CA (US); **David Scott Whetstone**, San Francisco, CA (US); **Karson Isaiah Shadley**, Oakland, CA (US)

(73) Assignee: **The Gillette Company**, Boston, MA (US)

(\*\*) Term: **14 Years**

(21) Appl. No.: **29/468,659**

(22) Filed: **Oct. 2, 2013**

(51) **LOC (10) Cl.** ..... **28-03**

(52) **U.S. Cl.**  
USPC ..... **D28/48**

(58) **Field of Classification Search**  
CPC ..... B26B 21/00–21/12; B26B 21/14; B26B 21/16; B26B 21/165; B26B 21/18; B26B 21/185; B26B 21/20–21/227; B26B 21/24; B26B 21/28; B26B 21/30; B26B 21/32; B26B 21/40; B26B 21/4062; B26B 21/4068; B26B 21/4075; B26B 21/52–21/528  
USPC ..... D28/44–48, 49, 51  
See application file for complete search history.

(56) **References Cited**

**U.S. PATENT DOCUMENTS**

4,819,330 A \* 4/1989 Fenn et al. .... 30/45  
D306,915 S \* 3/1990 Luzenberg ..... D28/46  
D563,045 S 2/2008 Provost et al.  
D563,046 S 2/2008 Provost et al.  
D567,442 S \* 4/2008 McMullan ..... D28/46

D641,104 S 7/2011 Watson et al.  
D652,991 S \* 1/2012 Cavazos Jimenez et al. .. D28/48  
D655,042 S 2/2012 Watson et al.  
D656,676 S \* 3/2012 Cavazos Jimenez et al. .. D28/48  
D656,677 S \* 3/2012 Cavazos Jimenez et al. .. D28/48  
D674,138 S 1/2013 Watson et al.  
D700,996 S \* 3/2014 Lee et al. .... D28/48  
2008/0184563 A1 \* 8/2008 Hamadeh ..... 30/41  
2013/0247381 A1 \* 9/2013 Blaustein et al. .... 30/34.1

\* cited by examiner

*Primary Examiner* — Jennifer Rivard

(74) *Attorney, Agent, or Firm* — Kevin C. Johnson; Steven W. Miller

(57) **CLAIM**

The ornamental design for a handle for a razor, as shown and described.

**DESCRIPTION**

FIG. 1 is a perspective view of a handle for a razor showing our new design;  
FIG. 2 is a front view thereof;  
FIG. 3 is a rear view thereof;  
FIG. 4 is a right side view thereof;  
FIG. 5 is a left side view thereof;  
FIG. 6 is a top view thereof;  
FIG. 7 is a bottom view thereof;  
FIG. 8 is another perspective view thereof;  
FIG. 9 is a perspective view of a second embodiment of a handle for a razor showing our new design;  
FIG. 10 is a front view thereof;  
FIG. 11 is a rear view thereof;  
FIG. 12 is a right side view thereof;  
FIG. 13 is a left side view thereof;  
FIG. 14 is a top view thereof;  
FIG. 15 is a bottom view thereof; and,  
FIG. 16 is another perspective view thereof.  
The broken lines illustrate the environment of the handle for a razor and form no part of the claimed design.

**1 Claim, 10 Drawing Sheets**

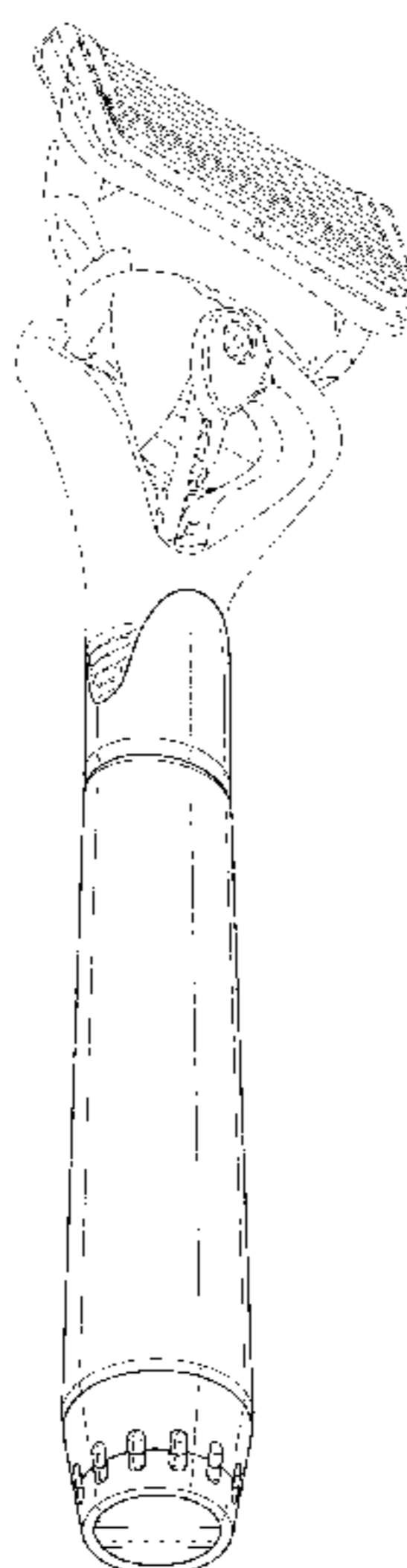
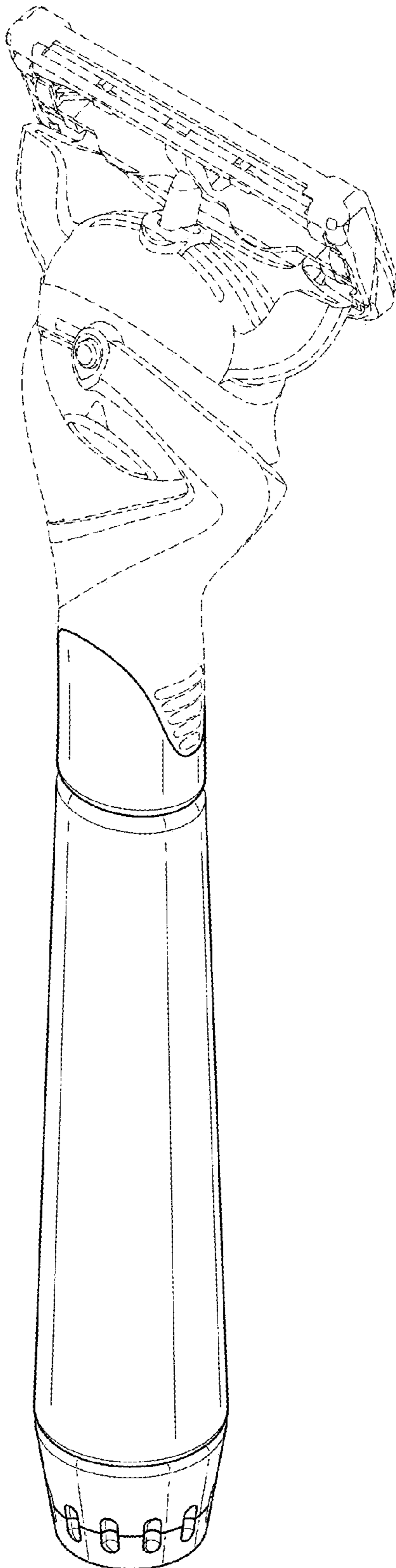


FIG. 1



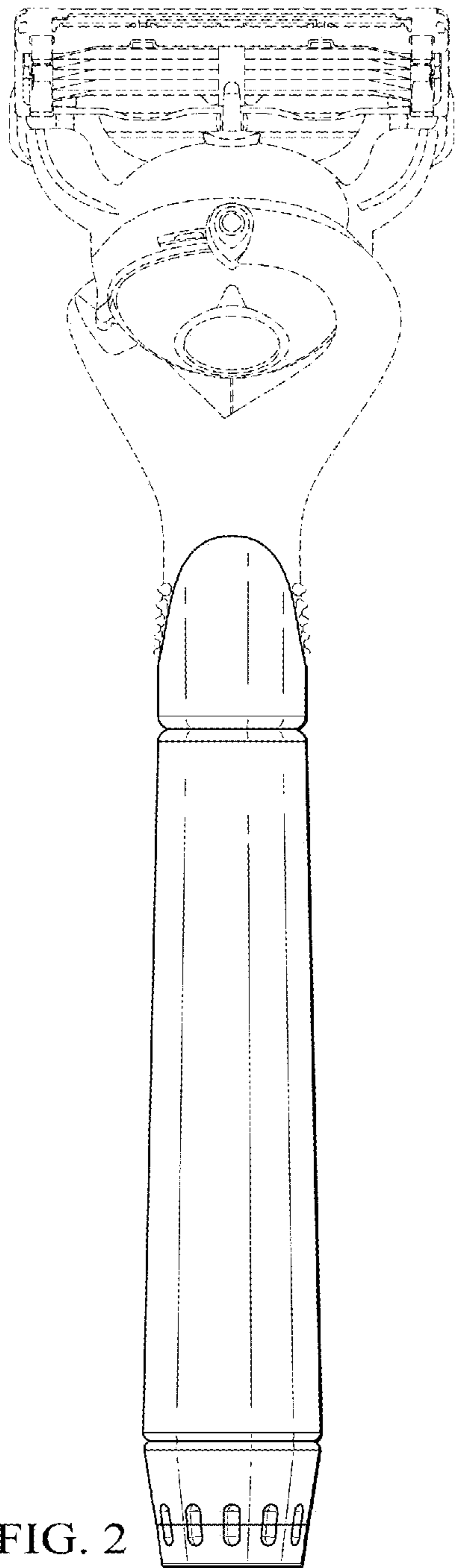


FIG. 2

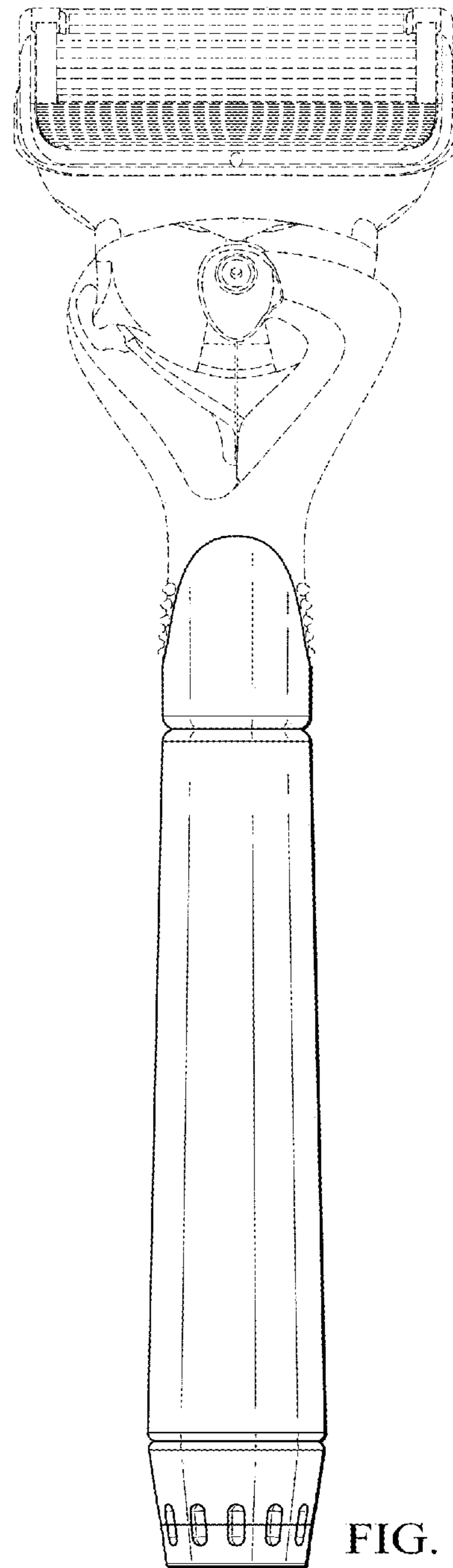


FIG. 3

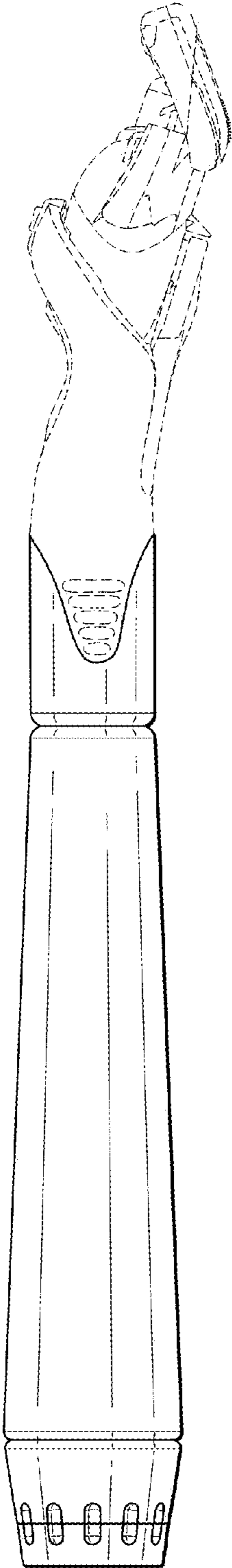


FIG. 4

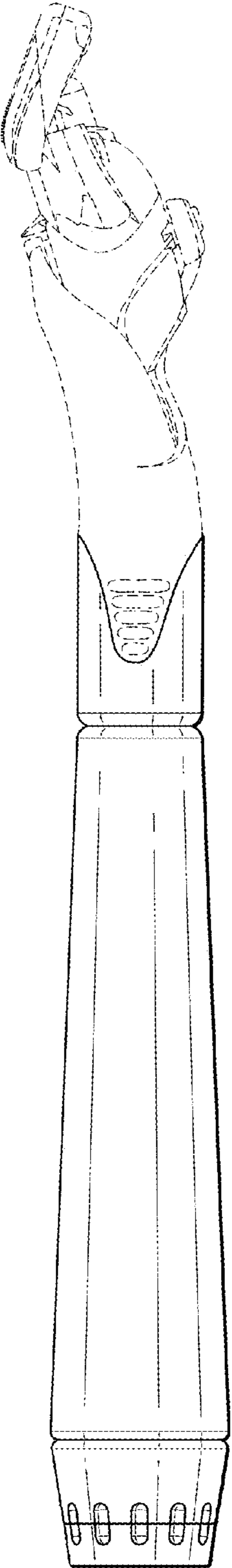


FIG. 5

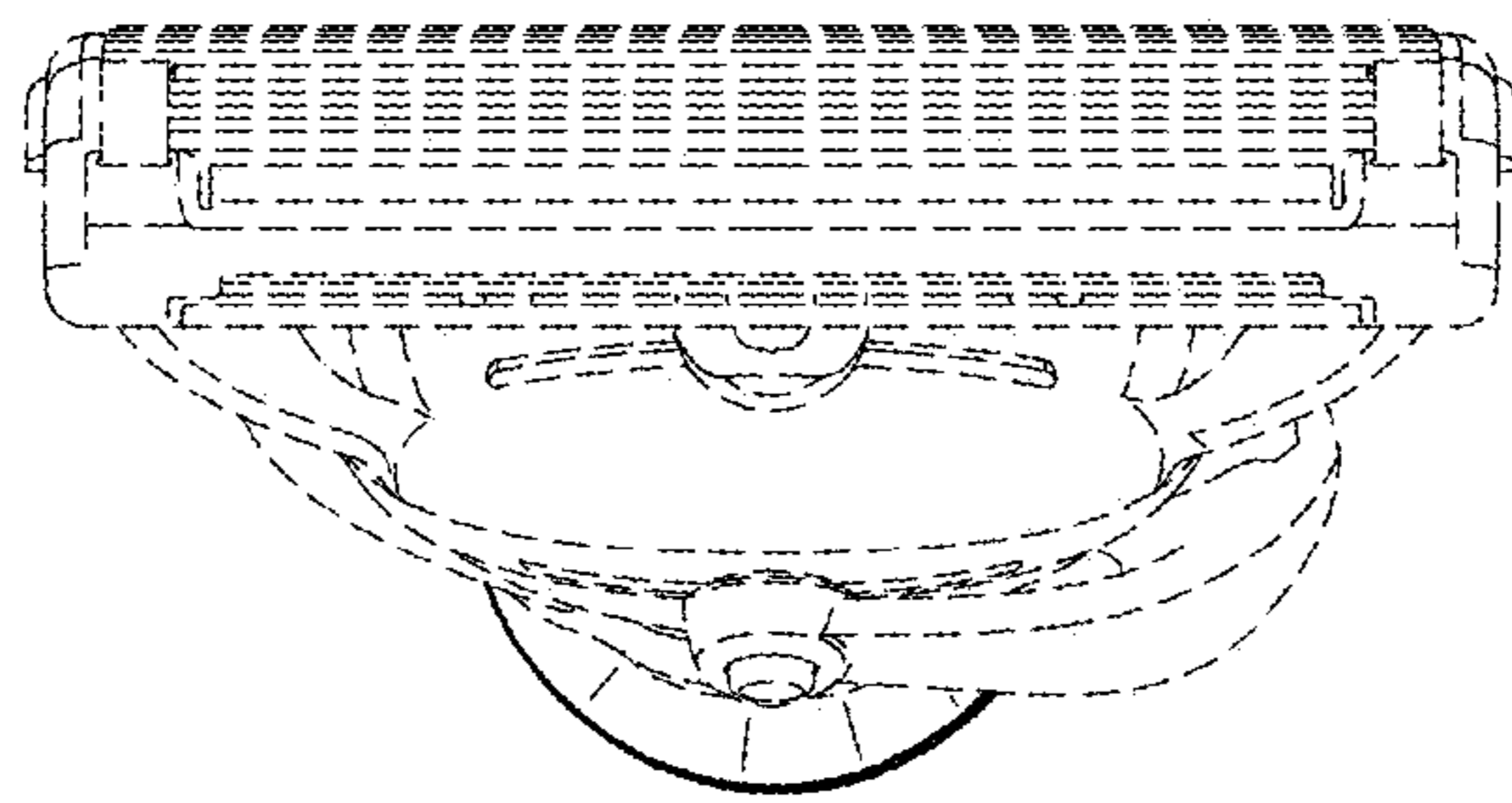


FIG. 6

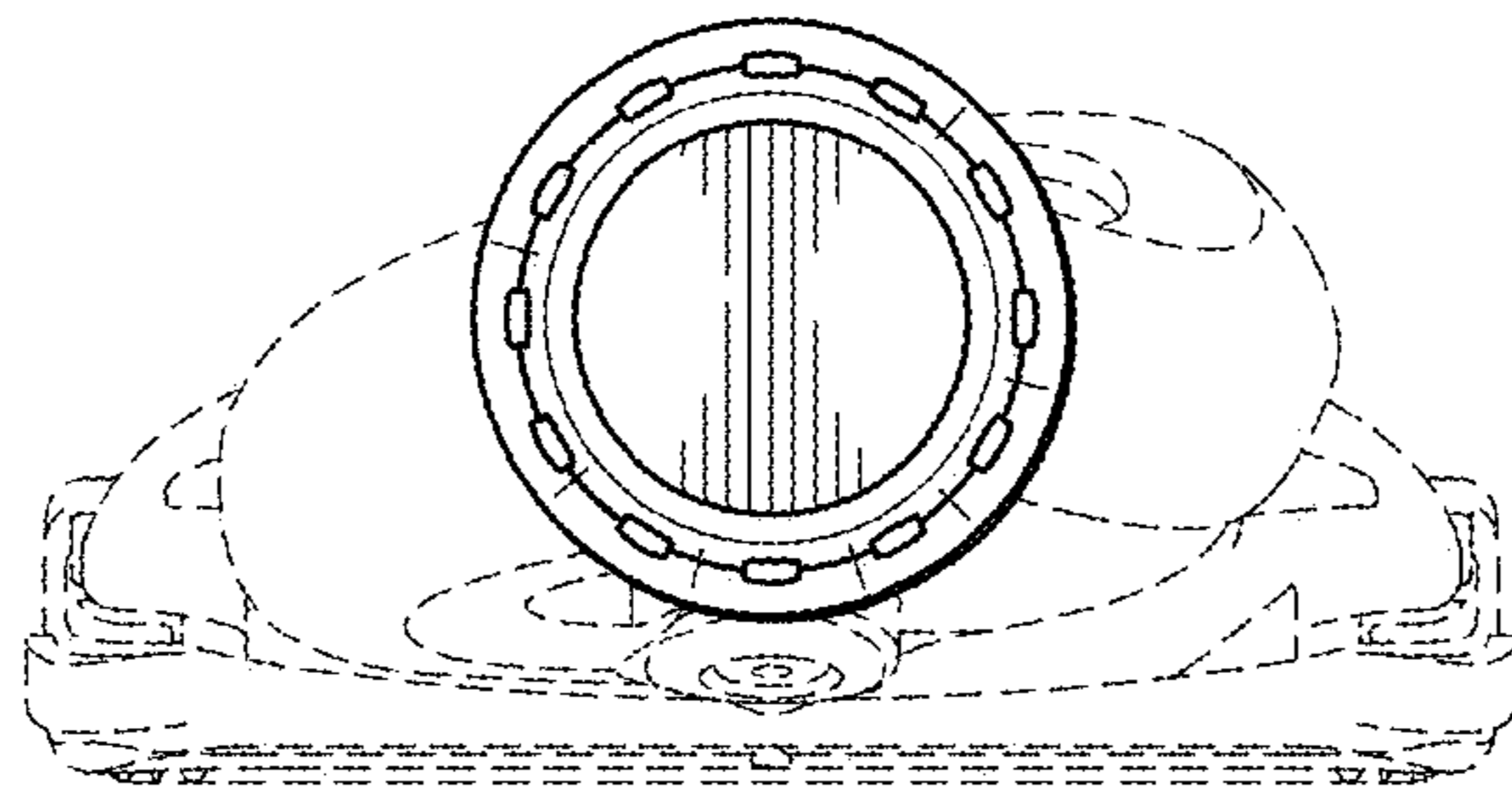


FIG. 7

FIG. 8

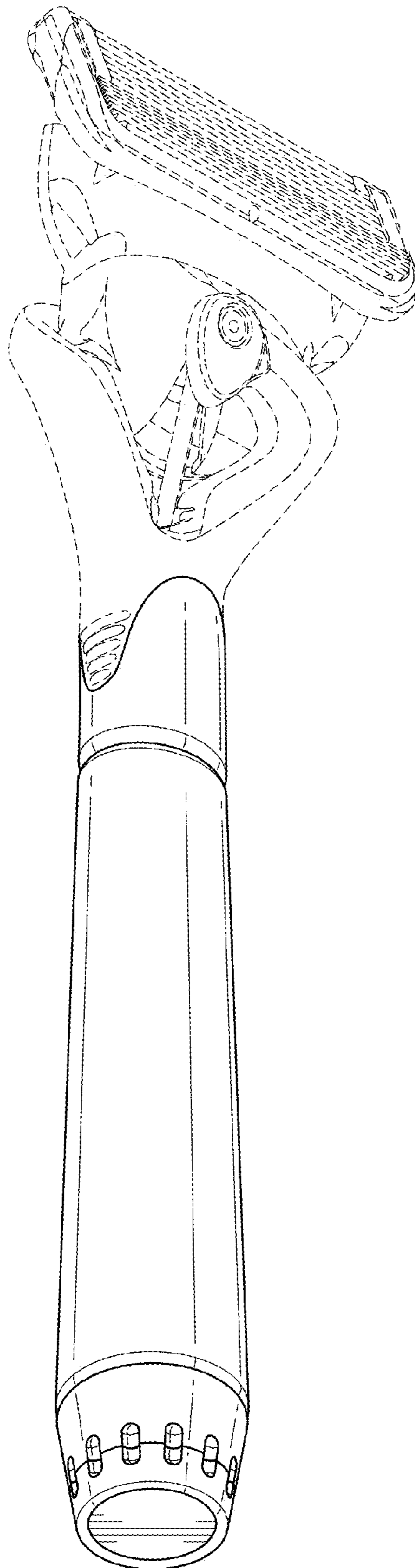
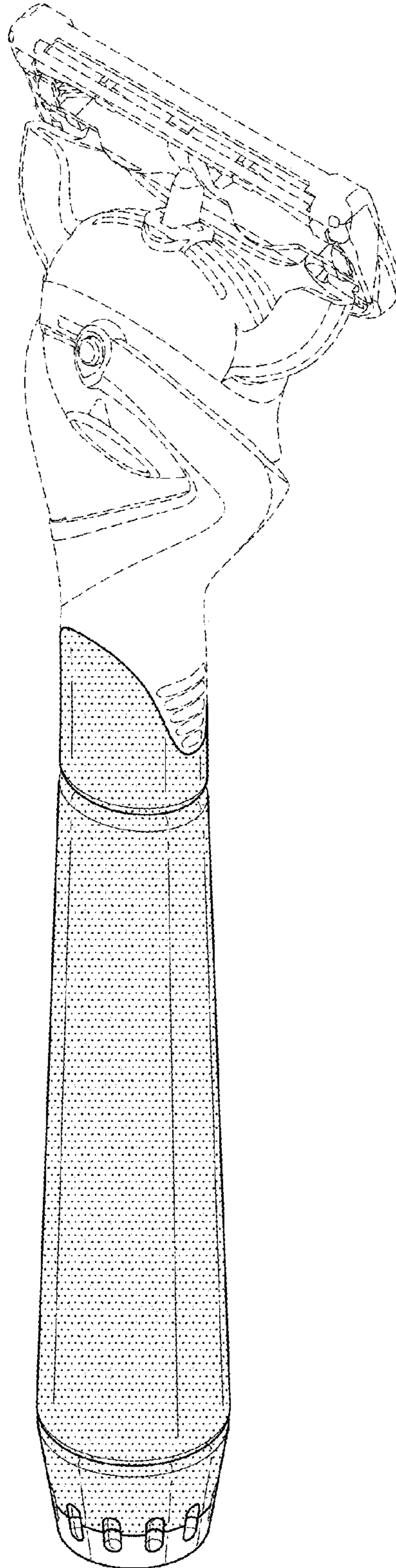


FIG. 9



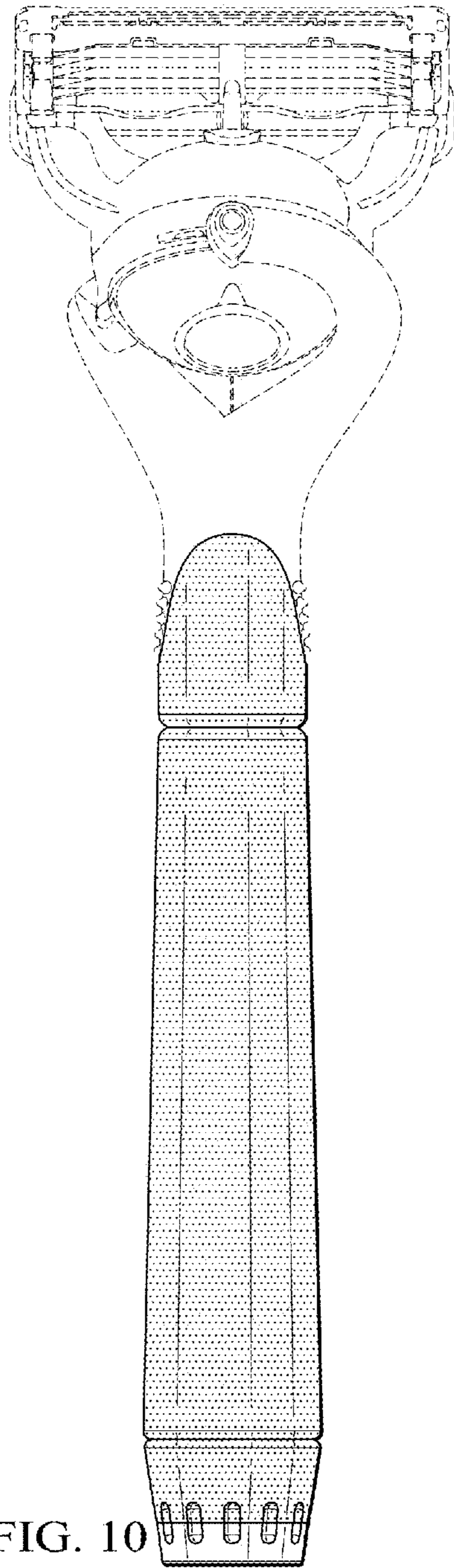


FIG. 10

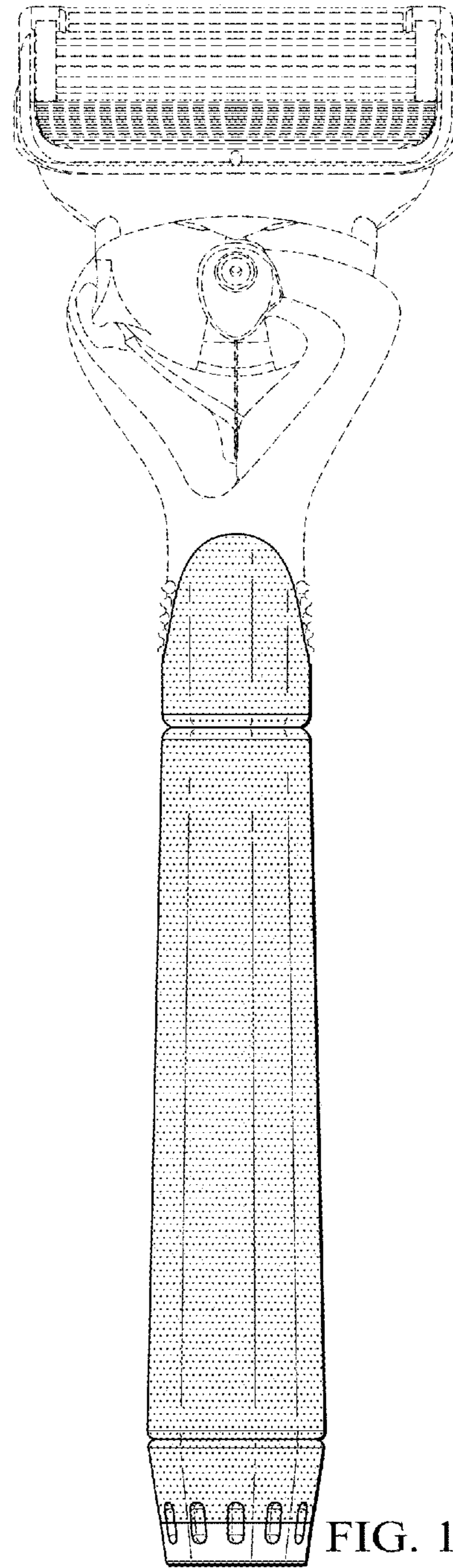


FIG. 11



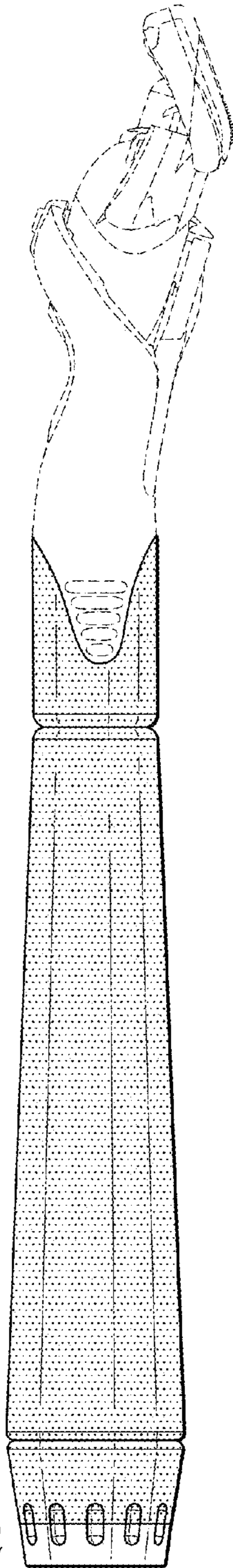


FIG. 12

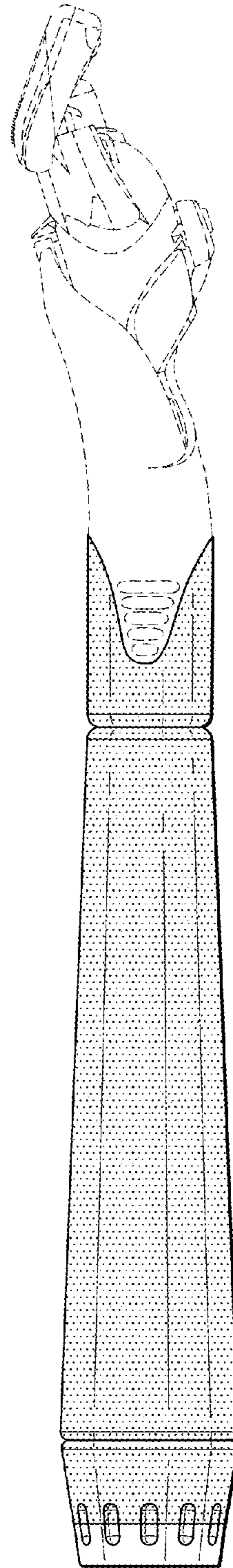


FIG. 13

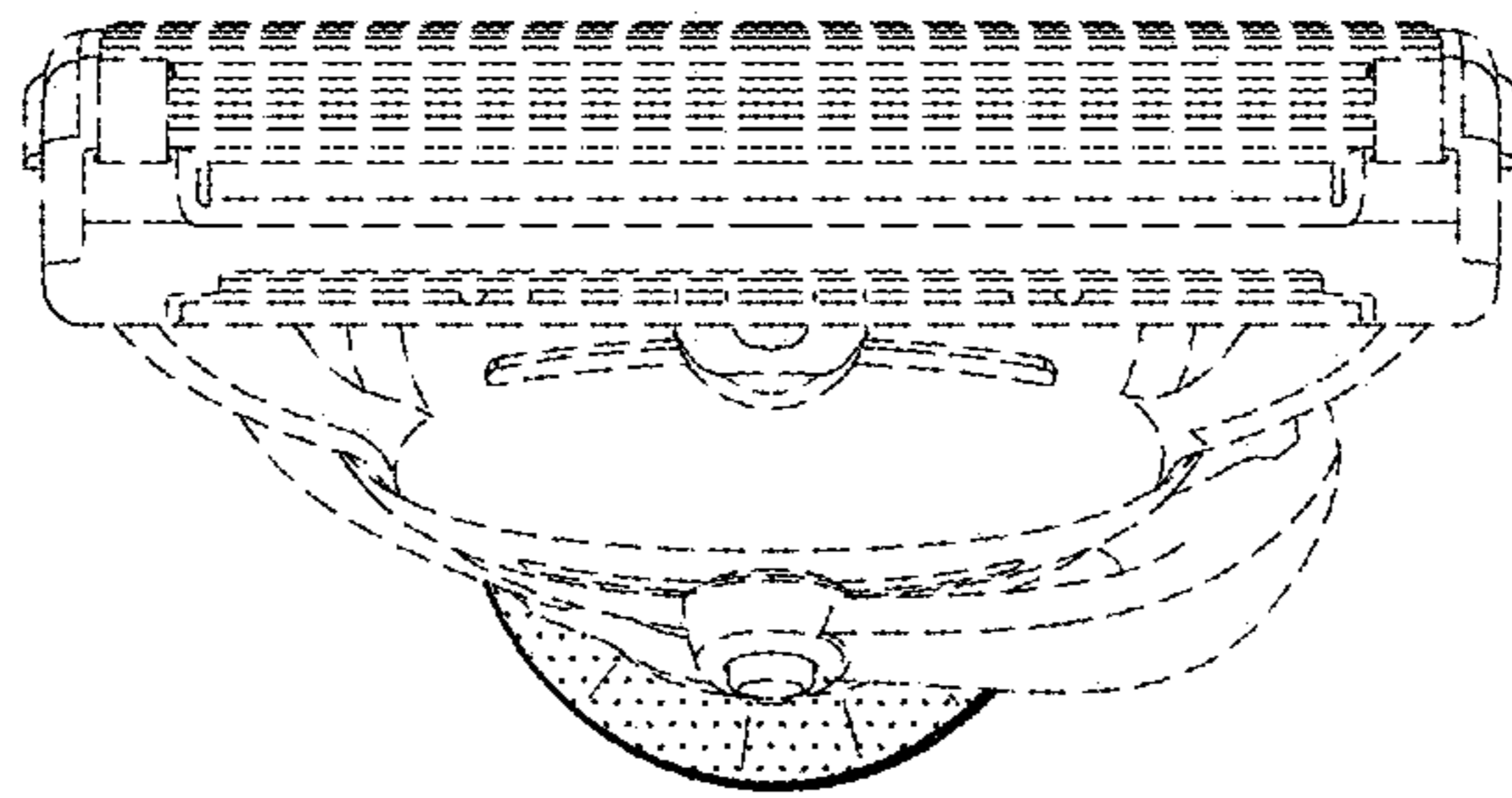


FIG. 14

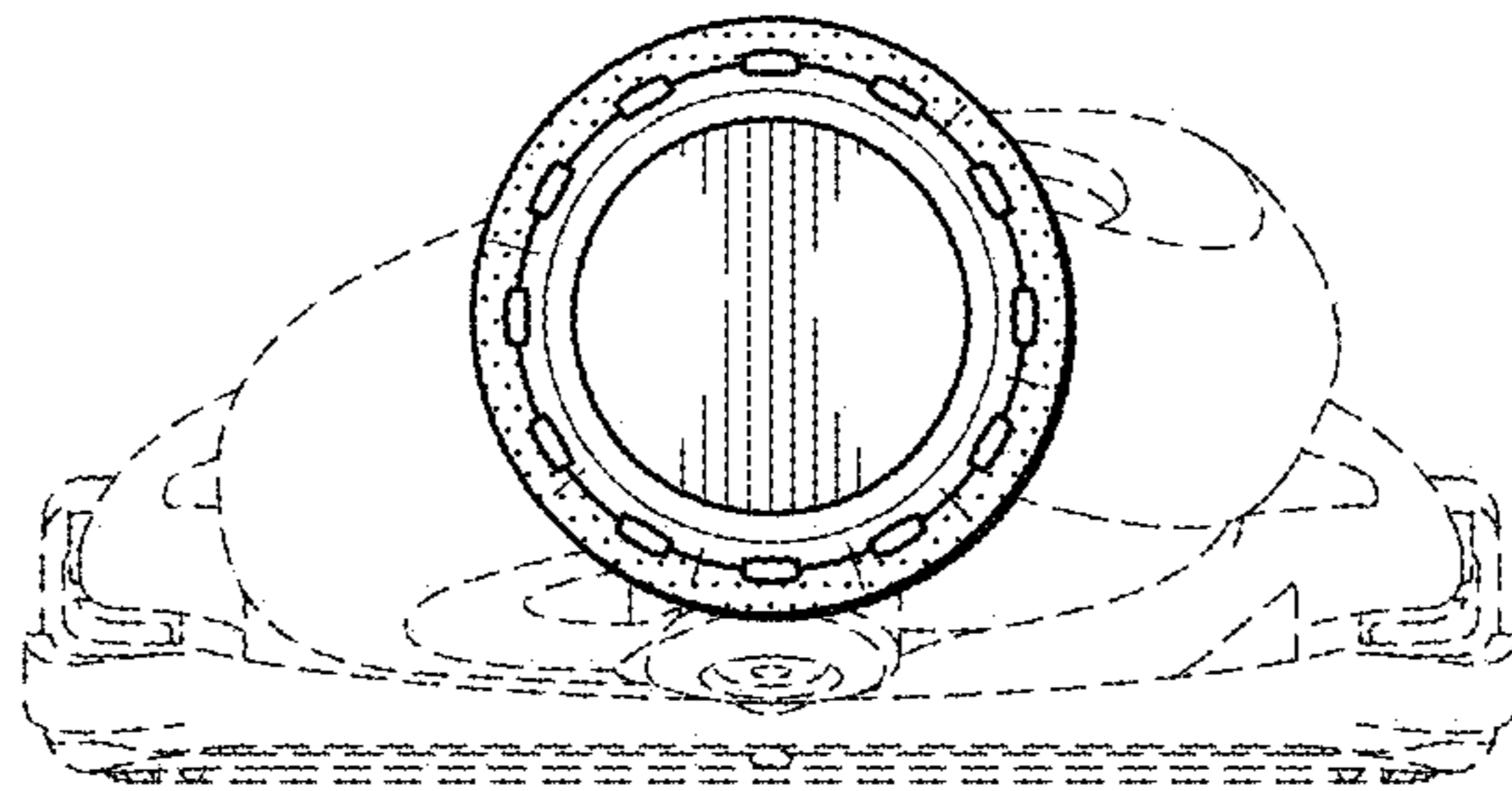


FIG. 15

FIG. 16

